

TECHNICAL SERVICE BULLETIN

SUBJECT: AIR CONDITIONER PULSATING OR RATTLE NOISE			No: TSB-01-55-006
			DATE: June, 2001
			MODEL: See below
CIRCULATE TO:	<input type="checkbox"/> GENERAL MANAGER	<input checked="" type="checkbox"/> PARTS MANAGER	<input checked="" type="checkbox"/> TECHNICIAN
<input checked="" type="checkbox"/> SERVICE ADVISOR	<input checked="" type="checkbox"/> SERVICE MANAGER	<input checked="" type="checkbox"/> WARRANTY PROCESSOR	<input type="checkbox"/> SALES MANAGER

PURPOSE

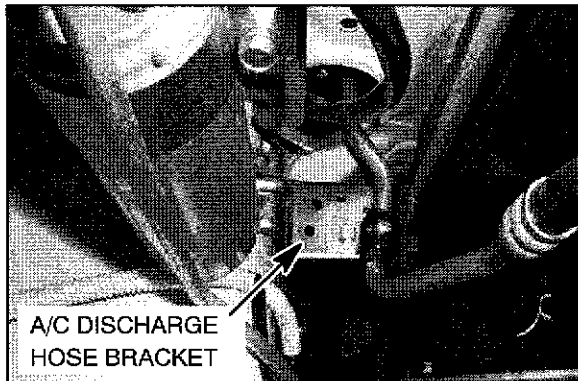
On vehicles built before 6/00, a **rattle** noise may be heard when the A/C is on, due to the A/C discharge hose bracket vibrating at the engine block. To eliminate this noise, remove the A/C discharge hose bracket as described in this bulletin.

On vehicles built after 12/97, a **pulsating** noise may be heard when the A/C is on, due to A/C compressor bracket vibration. To eliminate this noise, install the cast-iron A/C compressor bracket listed in this bulletin. This bracket has an extra mounting location to help reduce vibration.

AFFECTED VEHICLES

1997-2001 Montero Sport

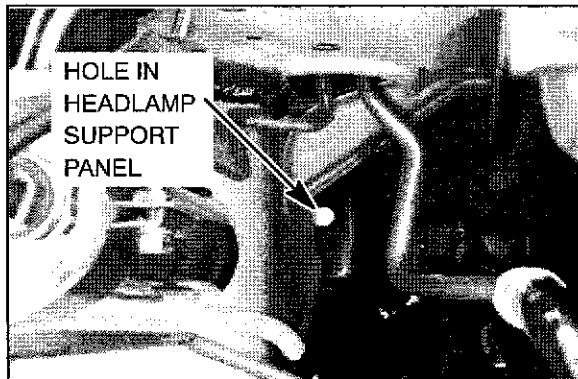
PROCEDURE



1. Vehicles Built Before 6/00:

To eliminate a **rattle** noise when the A/C is on, remove the A/C discharge hose bracket.

- a. After removing the bracket, be sure that the A/C discharge hose does not contact any surrounding parts.

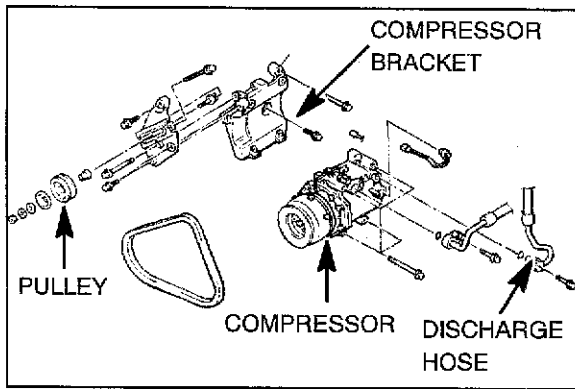


- b. Be sure that the A/C discharge hose does not contact the hole in the headlamp support panel.

Continued

05J230

FILE UNDER:	Group 55 Heater/A/C/Ventilation in the Dealer Service Information Binder	(2214)
-------------	---	---------------



2. **Vehicles Built After 12/97:**

To eliminate a **pulsating** noise when the A/C is on, inspect the A/C bracket. If the bracket is aluminum, replace it with a cast iron bracket and bolt listed in the PARTS INFORMATION section of this bulletin. Refer to Group 55 of the appropriate service manual.

All 2000 and 2001 models produced before 4/12/01 (VIN 1P061090) have the aluminum A/C bracket. Install the cast iron bracket on these vehicles.

PARTS INFORMATION

Part No.	Description
MR240427	A/C compressor bracket
MF303369	Bolt with washer

WARRANTY INFORMATION

A/C Compressor Bracket Replacement

Nature Code: 99D

Cause Code: 990

Labor Operation No. 55313190

Time Allowance: 1.1 hr.

Warranty Coverage: 36 months/36,000 miles.

Special Warranty Information: Normal warranty procedures apply.

A/C Discharge Hose Bracket Only Removal

Nature Code: 99D

Cause Code: 990

Labor Operation No. 55551190

Time Allowance: 0.2 hr.

Warranty Coverage: 36 months/36,000 miles.

Special Warranty Information: Normal warranty procedures apply.