

# Abnormal Noise from Coolant Heat Storage Water Pump

**Service Category** Engine/Hybrid System

**Section** Cooling

**Market** USA

Toyota Supports  
 ASE Certification 

## Applicability

YEAR(S)	MODEL(S)	ADDITIONAL INFORMATION
2004 – 2008	Prius	

## Introduction

Some 2004 – 2008 model year Prius vehicles may exhibit a “squeak” type noise during vehicle startup or shutdown. This noise can be heard coming from the coolant heat storage water pump during cold ambient temperature conditions. Use the following procedure to address this condition only if the noise is confirmed to be coming from the coolant heat storage water pump.

## Production Change Information

This TSB applies to vehicles produced **BEFORE** the Production Change Effective VINs shown below.

MODEL	PLANT	PRODUCTION CHANGE EFFECTIVE VIN
Prius	Tsutsumi	JTDKB2#U#83315752
	Toyota Auto Body	JTDKB2#U#87710306

## Warranty Information

OP CODE	DESCRIPTION	TIME	OFF	T1	T2
EG8026	R & R Water Pump Assembly w/Motor & Bracket	1.0	16290-21010	91	83

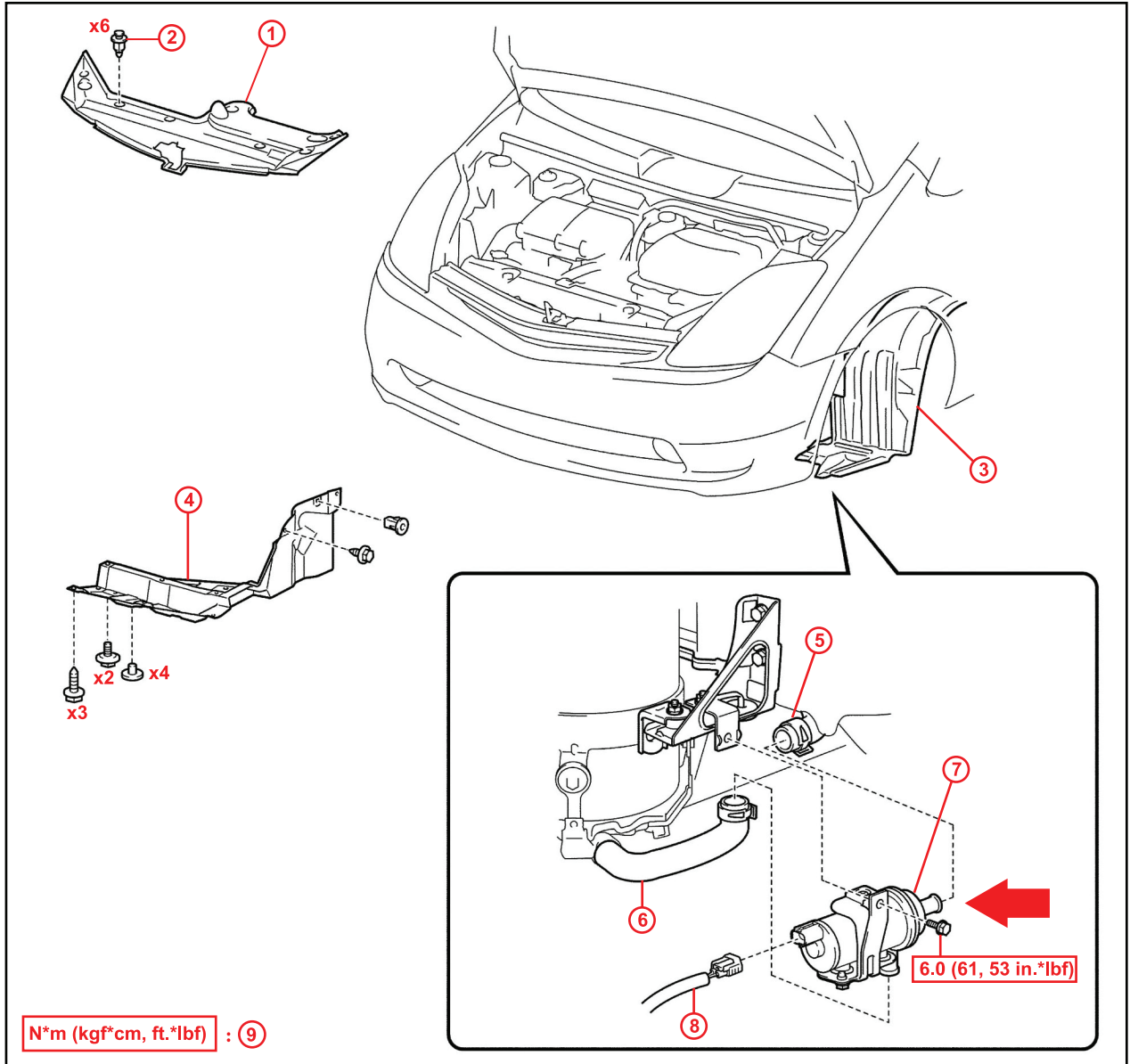
### APPLICABLE WARRANTY

- This repair is covered under the Toyota Powertrain Warranty. This warranty is in effect for 60 months or 60,000 miles, whichever occurs first, from the vehicle's in-service date.
- Warranty application is limited to correction of a problem based upon a customer's specific complaint.

# Abnormal Noise from Coolant Heat Storage Water Pump

## Components

Figure 1. Location of Coolant Heat Storage Water Pump



1	Radiator Support Opening Cover
2	Clip
3	Front Fender Liner LH
4	Engine Under Cover LH
5	Heat Storage Water By-pass Hose No. 1

6	Water By-pass Hose
7	Coolant Heat Storage Water Pump
8	Water Pump Connector
9	Specified Torque

## Abnormal Noise from Coolant Heat Storage Water Pump

---

### Parts Information

PREVIOUS PART NUMBER	CURRENT PART NUMBER	PART NAME	QTY
16290-21010	16290-21011	Pump Assembly, Water w/ Motor & Bracket	1
00272-SLLC2	Same	Super Long Life Coolant (SLLC)	1

### Repair Procedure

1. After the noise is verified to be coming from the coolant heat storage water pump, replace it with a NEW part.

Refer to the Technical Information System (TIS), applicable model year Prius Repair Manual:

- [2004](#) / [2005](#) Prius, *Engine/Hybrid System – Cooling – “Coolant Heat Storage Water Pump (1NZ-FXE): Replacement”*
- [2006](#) / [2007](#) / [2008](#) Prius, *Engine/Hybrid System – Cooling – “1NZ-FXE Cooling: Coolant Heat Storage Water Pump: Removal”*
- [2006](#) / [2007](#) / [2008](#) Prius, *Engine/Hybrid System – Cooling – “1NZ-FXE Cooling: Coolant Heat Storage Water Pump: Installation”*

2. Road test to verify proper operation of the coolant system.