

# Water Leak at Headliner

**Service Category** Vehicle Interior

**Section** Interior Panels/Trim

**Market** USA

Toyota Supports  
 ASE Certification 

## Applicability

YEAR(S)	MODEL(S)	ADDITIONAL INFORMATION
2005 – 2011	Avalon	
2007 – 2011	Camry, Camry HV	
2004 – 2008	Solara	

### TSB SUPERSESSION NOTICE

The information contained in this TSB supersedes TSB No. T-SB-0141-08.

- Production Change Information, Warranty Information, and Parts Information sections have been updated.
- The Repair Procedure has been updated with Repair Manual references.

TSB No. T-SB-0141-08 is Obsolete and any printed versions should be discarded. Be sure to review the entire content of this service bulletin before proceeding.

## Introduction

Some vehicles may exhibit a water leak condition in the headliner that may also result in a wet foot well area. This condition may be the result of one or more moon roof drain hoses becoming loose or disconnected from a moon roof drain pan nipple. The following procedure describes the repair method to address this condition.

## Water Leak at Headliner

### Production Change Information

This TSB applies to 2004 – 2008 model year Solara vehicles and to Avalon, Camry, and Camry HV vehicles produced **BEFORE** the Production Change Effective VINs shown below.

MODEL	PLANT	DRIVETRAIN	PRODUCTION CHANGE EFFECTIVE VIN
Avalon	TMMK Line 1	V6	4T1BK3DB#BU396503
Camry	TMMK Line 1	4 cyl	4T1BF3EK#BU186955
		V6	4T1BK3EK#BU125919
	TMMK Line 2	4 cyl	4T1BF3EK#BU653118
		V6	4T1BK3EK#BU620180
	Tsutsumi	4 cyl	JTNBF3EK#B3010288
		V6	JTNBK3EK#B3051975
SIA	4 cyl	4T4BF3EK#BR138198	
Camry HV	TMMK Line 2	HV	4T1BB3EK#BU138760
	Tsutsumi	HV	JTNBB3EK#B3054277

### Warranty Information

OP CODE	DESCRIPTION	MODEL	TIME	OFF	T1	T2
BD7028	R & R Headliner and Add Retainer Clamps (4) to Drain Hose	Avalon	2.7	63247-AC010	62	40
		Camry (NAP)	1.5	63249-06050		
		Camry (CBU)	1.5	63249-33120		
		Solara	1.6	63249-AA040		

#### APPLICABLE WARRANTY

- This repair is covered under the Toyota Comprehensive Warranty. This warranty is in effect for 36 months or 36,000 miles, whichever occurs first, from the vehicle's in-service date.
- Warranty application is limited to occurrence of the specified condition described in this bulletin.

## Water Leak at Headliner

### Parts Information

MODEL	PREVIOUS PART NUMBER	CURRENT PART NUMBER	PART NAME	QTY
JPP – Camry/Camry HV	N/A	90467-14001	Clamp	4
NAP – Avalon/Camry/Camry HV/Solara	N/A	90466-A0008		4

**NOTE**

Install one clamp on each of the 4 drain hoses.

### Repair Procedure

1. Remove the headliner.

Refer to the Technical Information System (TIS), applicable model and model year Repair Manual):

- [2005](#) Avalon:  
*Vehicle Interior – Interior Panels/Trim – “Roof Headlining Assy: Replacement”*
- [2006](#) / [2007](#) / [2008](#) / [2009](#) / [2010](#) / [2011 \(to 12/2010\)](#) / [2011 \(from 12/2010\)](#) Avalon:  
*Vehicle Interior – Interior Panels/Trim – “Interior: Roof Headlining: Removal”*
- [2007](#) / [2008](#) / [2009](#) / [2010](#) / [2011](#) Camry:  
*Vehicle Interior – Interior Panels/Trim – “Interior: Roof Headlining: Removal”*
- [2007 \(to 10/2006\)](#) / [2007 \(from 10/2006\)](#) / [2008](#) / [2009](#) / [2010](#) / [2011](#) Camry HV:  
*Vehicle Interior – Interior Panels/Trim – “Interior: Roof Headlining: Removal”*
- [2004](#) / [2005](#) Solara:  
*Vehicle Interior – Interior Panels/Trim – “Roof Headlining Assy: Replacement”*
- [2006](#) / [2007](#) / [2008](#) Solara:  
*Vehicle Interior – Interior Panels/Trim – “Interior: Roof Headlining: Removal”*

2. Remove all 4 drain hoses from the drain pan nipples.

## Water Leak at Headliner

### Repair Procedure (Continued)

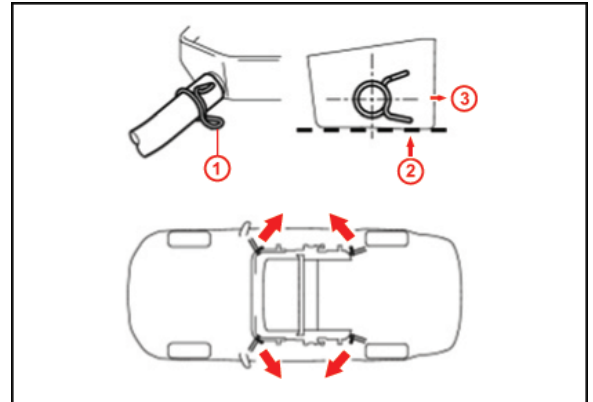
3. Install the drain hose clamps as shown in Figures 1 and 2.

**NOTE**

When installing the drain hoses, the 4 clamps **MUST** face toward the outside of the vehicle and also be above the lower surface of the sliding roof housing to prevent interference with the headliner.

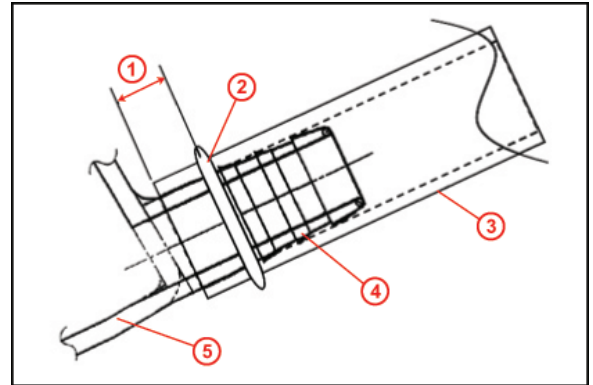
- Initially, slide the clip onto the drain hose a minimum of 30 mm from the end of the drain hose.
- Insert the drain hose onto the sliding roof nipple, completely covering the nipple (See Figure 2).
- Move the clip along the drain hose to its final location, 7 mm from the end of the drain hose as shown in Figure 2.

Figure 1. Clip Orientation



1	Clip
2	Lower surface of sliding roof
3	Clip faces outside of vehicle

Figure 2. Clip Position



1	7 mm
2	Clip
3	Drain Hose
4	Sliding Roof Nipple
5	Sliding Roof

## Water Leak at Headliner

---

### Repair Procedure (Continued)

4. Water test the vehicle to confirm that there are no leaks from the drain hoses.
5. Reinstall the headliner.
  - [2005](#) Avalon:  
*Vehicle Interior – Interior Panels/Trim – “Roof Headlining Assy: Replacement”*
  - [2006](#) / [2007](#) / [2008](#) / [2009](#) / [2010](#) / [2011 \(to 12/2010\)](#) / [2011 \(from 12/2010\)](#) Avalon:  
*Vehicle Interior – Interior Panels/Trim – “Interior: Roof Headlining: Installation”*
  - [2007](#) / [2008](#) / [2009](#) / [2010](#) / [2011](#) Camry:  
*Vehicle Interior – Interior Panels/Trim – “Interior: Roof Headlining: Installation”*
  - [2007 \(to 10/2006\)](#) / [2007 \(from 10/2006\)](#) / [2008](#) / [2009](#) / [2010](#) / [2011](#) Camry HV:  
*Vehicle Interior – Interior Panels/Trim – “Interior: Roof Headlining: Installation”*
  - [2004](#) / [2005](#) Solara:  
*Vehicle Interior – Interior Panels/Trim – “Roof Headlining Assy: Replacement”*
  - [2006](#) / [2007](#) / [2008](#) Solara:  
*Vehicle Interior – Interior Panels/Trim – “Interior: Roof Headlining: Installation”*