



**Technical Service
Information Bulletin**

July 11, 2005

Title:
**VEHICLE HEIGHT CONTROL SYSTEM:
C1735 EXHAUST SOLENOID
VALVE CIRCUIT**

Models:
'03 - '04 GX 470

SUSPENSION
SU002-05
REVISED

TSB REVISION NOTICE:

- **August 8, 2005: The TSIB title has been updated. Previous versions of this TSIB should be discarded.**

Introduction Some 2003 - 2004 model year GX 470 vehicles with Height Control may experience a M.I.L. "ON" or M.I.L. light flashing with DTC C1735 stored in memory. This condition is due to moisture intrusion into the Height Control Exhaust Solenoid Valve. A new design exhaust solenoid valve has been introduced to improve this condition.

- Applicable Vehicles**
- **2003 - 2004** model year **GX 470** vehicles equipped with **Height Control** produced **BEFORE** the Production Change Effective VIN shown below.

**Production
Change
Information**

MODEL	PRODUCTION CHANGE EFFECTIVE VIN
GX 470	JTJBT20X840057316

**Parts
Information**

PREVIOUS PART NUMBER	CURRENT PART NUMBER	PART NAME	QTY
48910-60020	Same	Compressor Assembly, Height Control	1

**Warranty
Information**

OP CODE	DESCRIPTION	TIME	OPF	T1	T2
857491	R & R Height Control Compressor Assembly	0.8	48910-60020	87	99



Applicable Warranty*:

This repair is covered under the Lexus Comprehensive Warranty. This warranty is in effect for 48 months or 50,000 miles, whichever occurs first, from the vehicle's in-service date.

* Warranty application is limited to correction of a problem based upon a customer's specific complaint.



Required SSTs

ITEM NO.	SPECIAL SERVICE TOOLS (SSTs)	PART NUMBER	QTY	DRW**
1	<p>Lexus Diagnostic Tester Kit*</p> <p>NOTE:</p> <ul style="list-style-type: none"> All components from this kit/set are needed 12 Megabyte Diagnostic Tester Program Card (P/N 01002593-005) with version 13.0a Software (or later) is needed 	01001270	1	8
2	<p>CAN Interface Module Kit*</p> <p>NOTE: All components from this kit/set are needed</p> 	01002744	1	8

* Essential SSTs.

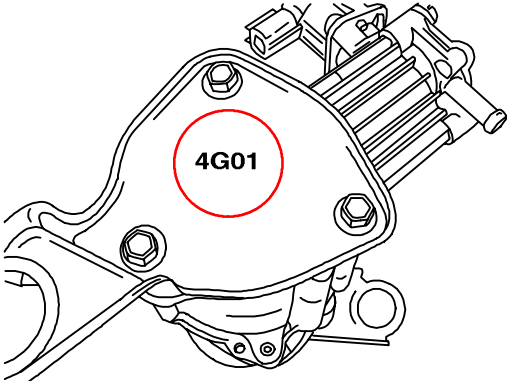
** Refers to drawer number in SST Storage System.

NOTE:

Additional Diagnostic Tester Kits, CAN Interface Modules, Program Cards, or other SSTs may be ordered by calling SPX/OTC at 1-800-933-8335.

Parts Identification

Countermeasure service parts are identified by the 4-digit date code printed on the bottom of the compressor assembly mounting bracket. Date code is 4G01 or later.



Service Part Identification:

4G01		
Year	Month	Day
3: 2003	A: Jan.	01: 1
4: 2004	B: Feb.	02: 2
	C: Mar.	03: 3
	D: Apr.	04: 4
	E: May	05: 5
	F: June	.
	G: July	.
	H: Aug.	.
	I: Sept.	22:22
	J: Oct.	
	K: Nov.	
	L: Dec.	

Repair Procedure

1. Confirm that DTC C1735 is stored in the Suspension Control ECU.
2. Remove and replace the compressor assembly. Refer to the Technical Information System (TIS), 2003 - 2004 model year GX 470 Repair Manual: *Suspension Control System: Height Control Compressor Assembly: Replacement*.
3. Clear codes and verify that the Height Control System is operational.