



2007 Service Bulletins

TSB SB07-04-S003

Issue Date: December 2007

Erratic Speedometer Operation Or Speedometer Needle Shakes Above 60 MPH

Affected Vehicles

2003-2008 Isuzu Ascender with 4.2L Engine Only

Service Information

Condition:

Some customers may comment on erratic operation of the speedometer. Others may comment that the speedometer needle shakes above 96 km/h (60 mph).

Possible Cause:

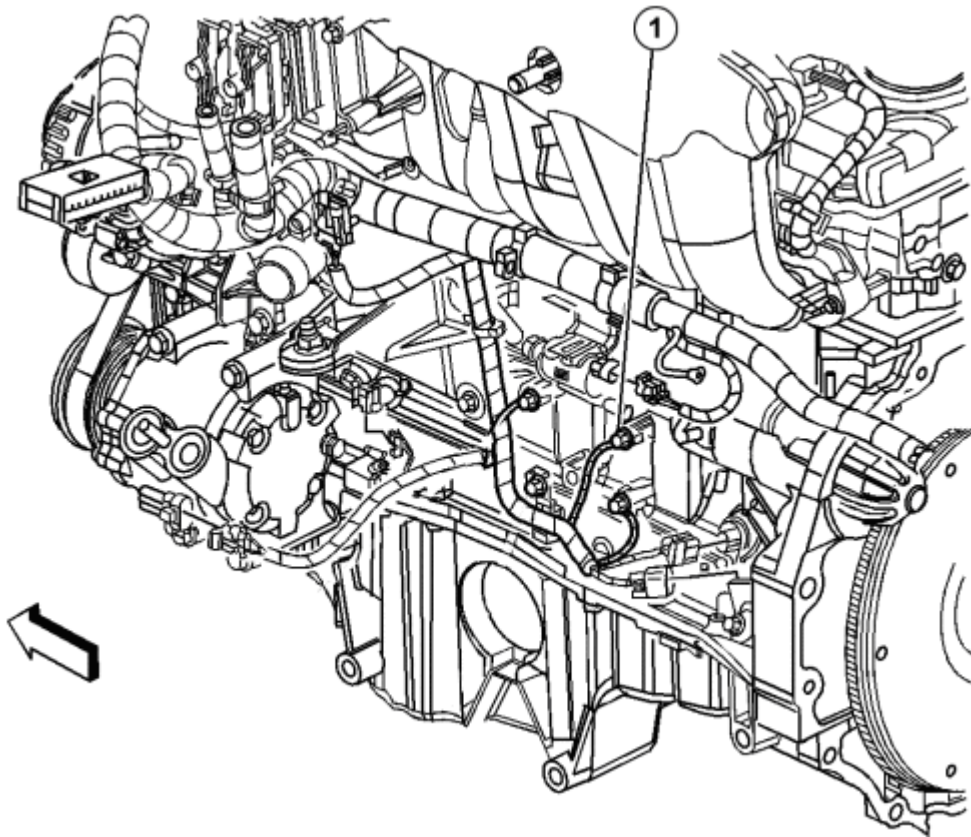
This condition may be caused by a loose or poor connection at Powertrain Control Module/Engine Control Module (PCM/ECM) ground G108.

Correction:

Repair poor connection at ground G108.

Service Procedure

Technicians are to inspect and repair ground G108 as necessary. Refer to callout 1 in the illustration for the location of G108. Refer to the Testing for Intermittent Conditions and Poor Connections and the Wiring Repair procedures in the Service Manual or ETM for more information.



Warranty Claim Information

Always refer to the Isuzu Service Policy Procedure Manual for specific details on warranty coverage and policies. Reference published Labor Time Guide for claim processing, if applicable.

Copyright © 2002 - 2008 Isuzu Motors America, Inc.
No part of this publication may be reproduced, stored in a retrieval system, or transmitted in any form by any means (electronic, mechanical, photocopying, recording, or otherwise), without prior written permission of Isuzu Motors America, Inc.
