



SERVICE MANUAL BULLETIN

This Service Manual Bulletin is prepared by the Publications Department of New Flyer Industries Canada ULC. Refer to details below.

SMB-156

ISSUE DATE: Apr 20 2016

APPLICABILITY					
VEHICLE LENGTH	<input type="checkbox"/> 30ft.	<input type="checkbox"/> 35ft.	<input type="checkbox"/> 40ft.	<input type="checkbox"/> 60ft.	<input checked="" type="checkbox"/> ALL
VEHICLE TYPE	<input checked="" type="checkbox"/> Xcelsior®	<input type="checkbox"/> MiDi®	<input type="checkbox"/> Invero®		<input type="checkbox"/> ALL
	<input checked="" type="checkbox"/> Low Floor	<input type="checkbox"/> High Floor			
FUEL TYPE	<input type="checkbox"/> Diesel	<input type="checkbox"/> Diesel/Electric	<input checked="" type="checkbox"/> CNG	<input type="checkbox"/> LNG	<input type="checkbox"/> ALL
	<input type="checkbox"/> Fuel Cell	<input type="checkbox"/> Trolley/Electric	<input type="checkbox"/> Battery/Electric		
SUBJECT	Grounding CNG Vehicles				
SECTION TITLE	7 - CNG FUEL SYSTEM				
DETAILS	<p>This bulletin revises information provided on grounding your CNG New Flyer vehicle during fueling, defueling, and venting operation.</p> <p>This information supersedes any prior information on this subject already provided in your New Flyer Service Manuals. Make this Service Bulletin available to service personnel to inform them of changed information.</p>				

1. Grounding Vehicle

1.1. Ground Stud



Connect a bonding wire from the fueling station to the ground stud on the vehicle prior to fueling, defueling, or venting operations to eliminate static electricity buildup.

The ground stud consists of a 3/8" stud fitted with a hex lock nut and cover located at the rear curbside of the vehicle. It is mounted to the vehicle structure and accessible externally or through the fuse box access door. See "Fig. 1: Ground Stud" on page 2.

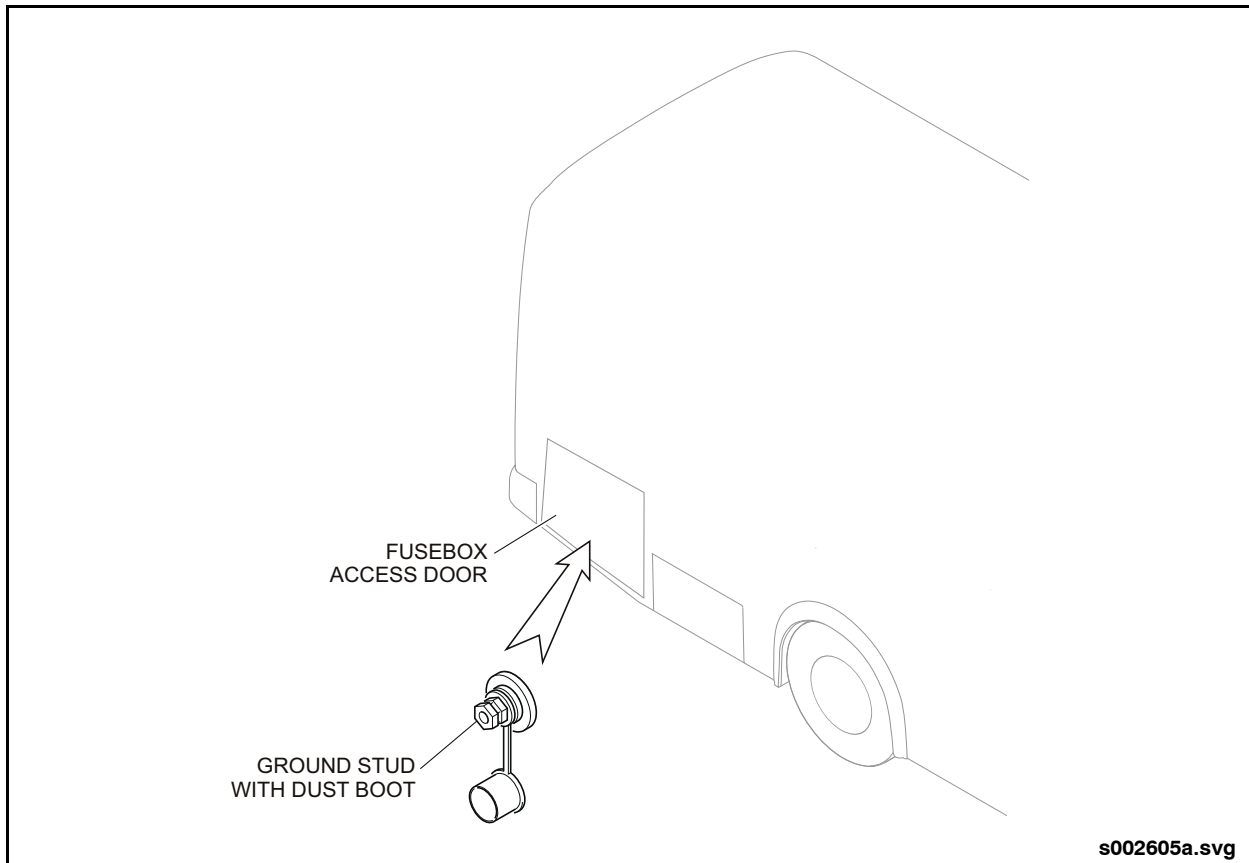


Fig. 1: Ground Stud