



Service Bulletin

File in Section: 03 - Suspension

Bulletin No.: 09-03-09-001D

Date: April, 2016

TECHNICAL

Subject: Clunking Noise from Rear of Vehicle (Re-torque Leaf Spring Bolts)

Models: 2007-2017 Chevrolet Silverado
2014-2017 Chevrolet Silverado 1500
2014-2017 Chevrolet Silverado 2500/3500
2015-2017 Chevrolet Colorado
2007-2017 GMC Sierra
2014-2017 GMC Sierra 1500
2014-2017 GMC Sierra 2500/3500
2015-2017 GMC Canyon

Attention: This Bulletin also applies to any of the above models that may be Export vehicles.

This Bulletin has been revised to update the Models section. Please discard Corporate Bulletin Number 09-03-09-001C.

Condition

Some customers may comment about a clunking noise coming from the rear of the vehicle. Upon further investigation, the technician may diagnose the noise coming from the rear suspension leaf spring area.

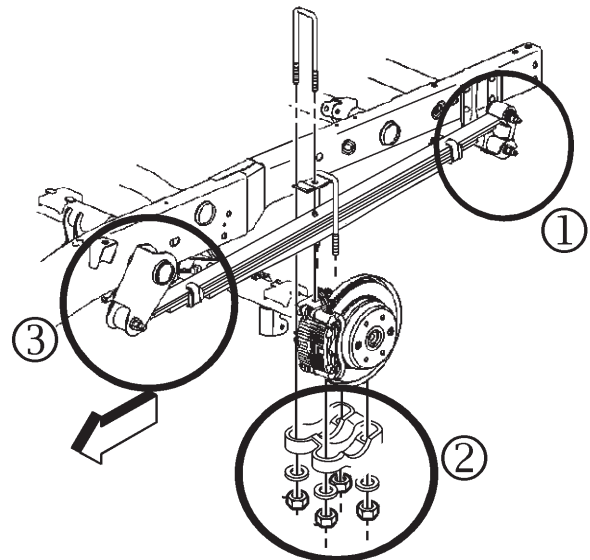
Correction

The noise may be resolved by re-torquing the joints of the leaf spring assembly.

1. Support the vehicle at curb height when re-torquing the leaf spring bolts/nuts.

Note: Do not remove the fuel tank.

2. Loosen the shackle joint to the frame, front eye joint to the frame, rear eye to shackle joint and the anchor plate U-bolts.
3. Re-torque the shackle joint to the frame and to the rear eye (1). Refer to SI for torque specifications.



4080776

4. Re-torque the anchor plate U-bolts (2). Refer to SI for torque specifications.
5. Re-torque the front rear spring mounting nut (3). Refer to SI for torque specifications.

- 6. Repeat steps 2 through 5 for the right side leaf spring.
- 7. Re-test the vehicle for the same clunking noise. If the issue remains, follow the regular repair procedure.

Warranty Information

For vehicles repaired under warranty, use:

Labor Operation	Description	Labor Time
8080128*	Retorque Bolts/ Road Test	0.8 hr
*This is a unique Labor Operation for Bulletin use only. It will not be published in the Labor Time Guide.		

