

© 2016 Mazda Motor of America, Inc.

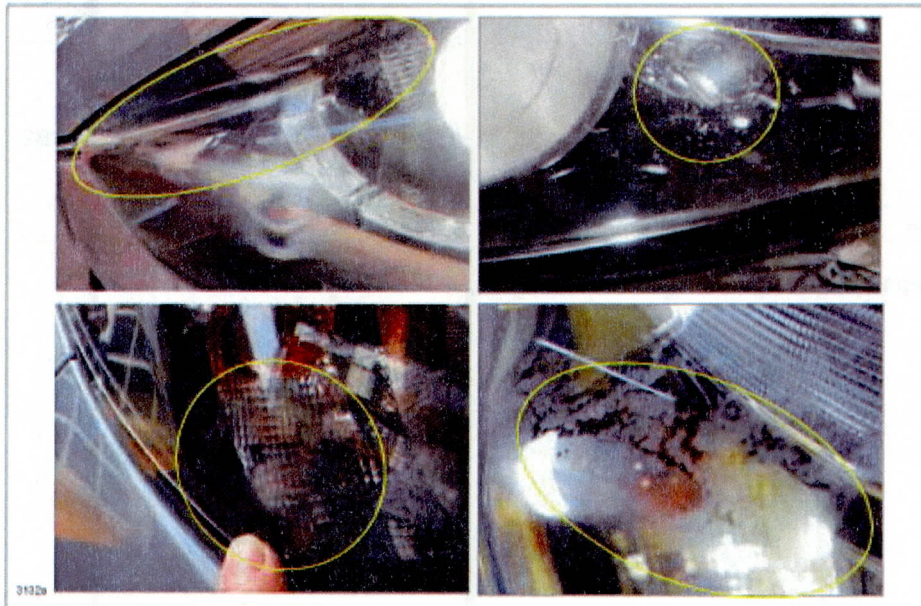
Subject: WHITE MILKY STAINS ON INNER SURFACE OF HEADLIGHT LENS	Bulletin No: 09-014/16
	Last Issued: 02/26/2016

APPLICABLE MODEL(S)/VINS

2013-2016 CX-5 vehicles with VINs between JM3KE*****486578 - 745219 (produced between May 28, 2014 and Nov. 23, 2015)

DESCRIPTION

Some vehicles equipped with LED or Discharge type headlights may exhibit white milky stains on the inner surface of the headlight lens. Some customers may complain of the poor appearance.



This concern is caused by gas that emits from a gasket in the lamp unit. The gas adheres to the inner surface of the headlight lens and reacts with the anti-clouding coating and moisture in the air to create white milky stains.

The gasket material has been improved to eliminate this concern.

Customers having this concern should have their vehicle repaired using the following repair procedure.

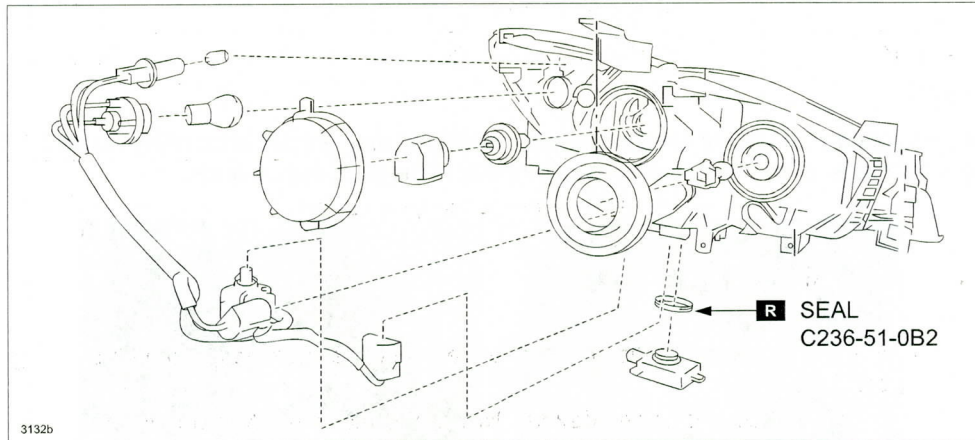
REPAIR PROCEDURE

1. Verify the customer concern.

NOTE: Foggy lenses due to condensation is a natural phenomenon. Do not replace the head lamp unit(s) for foggy lenses.

2. Replace the affected head lamp unit(s) with modified parts according to the instructions on MS3 online or the Workshop Manual (section 09-18 FRONT COMBINATION LIGHT REMOVAL/INSTALLATION).

NOTE: Discharge Headlights Only: Be sure to replace the seal (shown below) with a new part.



3. Verify the repair.

PART(S) INFORMATION

Part Number	Description	Qty.	Headlight Type
KA0G-51-031D	HEAD LAMP UNIT, LH	1	LED
KA0G-51-041D	HEAD LAMP UNIT, RH	1	LED
KR22-51-031A	HEAD LAMP UNIT, LH	1	Discharge
KR22-51-041A	HEAD LAMP UNIT, RH	1	Discharge
C236-51-0B2	SEAL	1 or 2	For Discharge Headlights only

NOTE: Check the GEPC for the correct part number for subject vehicle.

WARRANTY INFORMATION

NOTE:

- This warranty information applies only to verified customer complaints on vehicles eligible for warranty repair.
- This repair will be covered under Mazda's New Vehicle Limited Warranty term.
- Additional diagnostic time cannot be claimed for this repair.

	With LED Headlights	With Discharge Headlights
Warranty Type	A	A
Symptom Code	98	98
Damage Code	9W	9W
Part Number Main Cause	KA0G-51-031D or KA0G-51-041D	KR22-51-031A or KR22-51-041A
Quantity	1	1
Operation Number / Labor Hours:	XXLACARX / 0.7 Hrs. (Right Side) XXLACBRX / 0.7 Hrs. (Left Side) XXLACZRX / 0.9 Hrs. (Both Sides)	XXLADARX / 0.7 Hrs. (Right Side) XXLADBRX / 0.7 Hrs. (Left Side) XXLADZRX / 1.0 Hrs. (Both Sides)

NOTE: If both headlights require replacement, claim the other headlight as a related part.