

TECHNICAL BULLETIN  
JTB00399NAS1  
04 DEC 2014



© Jaguar Land Rover North America, LLC

NOTE: The information in Technical Bulletins is intended for use by trained, professional Technicians with the knowledge, tools, and equipment required to do the job properly and safely. It informs these Technicians of conditions that may occur on some vehicles, or provides information that could assist in proper vehicle service. The procedures should not be performed by 'do-it-yourselfers'. If you are not a Retailer, do not assume that a condition described affects your vehicle. Contact an authorized Jaguar service facility to determine whether this bulletin applies to a specific vehicle.

**SECTION: 501-00**

Front End Panel Alignment

**AFFECTED VEHICLE RANGE:**

**F-TYPE (X152)**

**Model Year:** 2014 Onwards

**VIN:** K00317 Onwards

**MARKETS:**

NAS

**CONDITION SUMMARY:**

**Situation:** The hood, front fenders, and front bumper cover may not be correctly aligned.

**Cause:** This may be caused by panel gaps not being set correctly during manufacturing processes.

**Action:** Should a customer express this concern, follow the Service Instruction outlined below.

**PARTS:**



**NOTE:** An allowance equivalent to \$68.65 (£42.38) has been allocated for locally sourcing for paint and materials using ZZZ001.

No Parts Required

**TOOLS:**

No Tools Required

**WARRANTY:**



**NOTE:** Repair procedures are under constant review, and therefore times are subject to change; those quoted here must be taken as guidance only. Always refer to TOPIx to obtain the latest repair time.



**NOTE:** DDW requires the use of causal part numbers. Labor only claims must show the causal part number with a quantity of zero.

DESCRIPTION	SRO	TIME (HOURS)	CONDITION CODE	CAUSAL PART
Fender - Adjust - One side	<b>76.96.19</b>	0.8	12	T2R10227
Fenders - Adjust - Vehicle set	<b>76.96.30</b>	1.4	12	T2R10227
Hood - Adjust	<b>76.16.02</b>	0.5	12	T2R10227
Rocker cover panel - Adjust - One side	<b>76.96.31</b>	0.8	12	T2R10227
Rocker cover panel - Adjust - Vehicle set	<b>76.96.32</b>	1.3	12	T2R10227
Front bumper cover - Adjust	<b>76.96.33</b>	0.3	12	T2R10227
Front bumper cover - Remove and install	<b>76.22.83</b>	1.2	12	T2R10227

Headlamp assembly - Vehicle set - Remove and install for adjustment	<b>86.41.09</b>	0.6	12	T2R10227
Local respray and repair	<b>79MAE3</b>	0.6	12	T2R10227



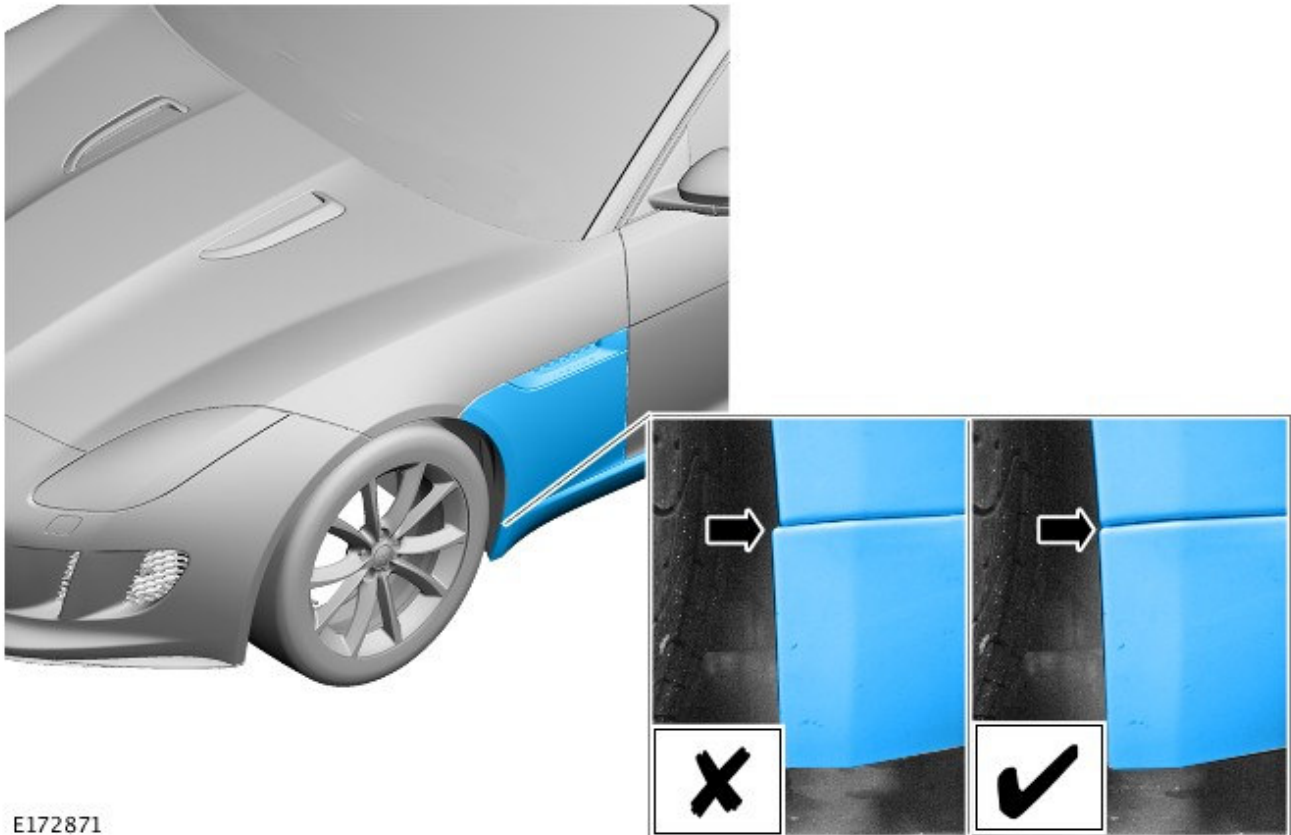
**NOTE: Normal Warranty procedures apply.**

### **SERVICE INSTRUCTION:**

1. Refer to TOPIx Workshop Manual, section 501-26: Vehicle Specific Information and Tolerance Checks for vehicle specification and alignment measurements when completing the following steps.

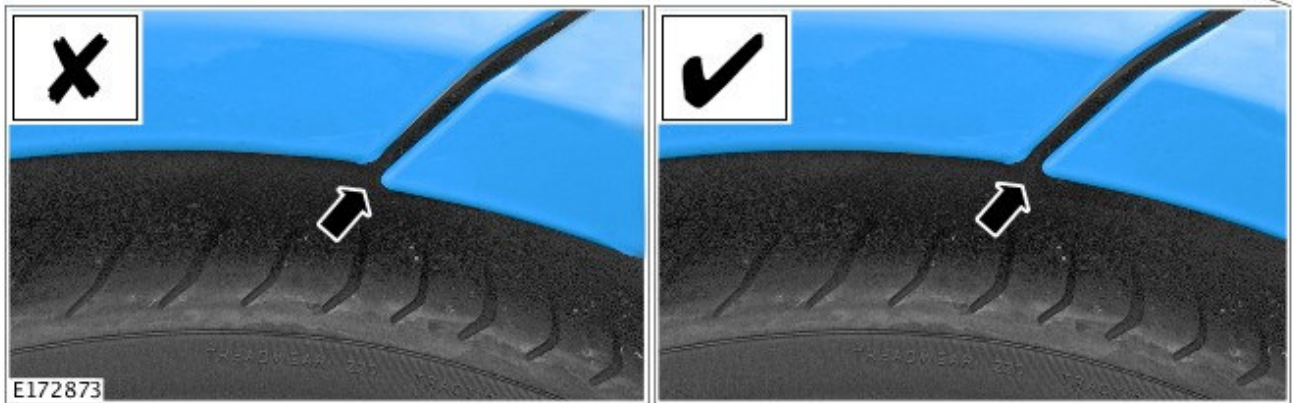
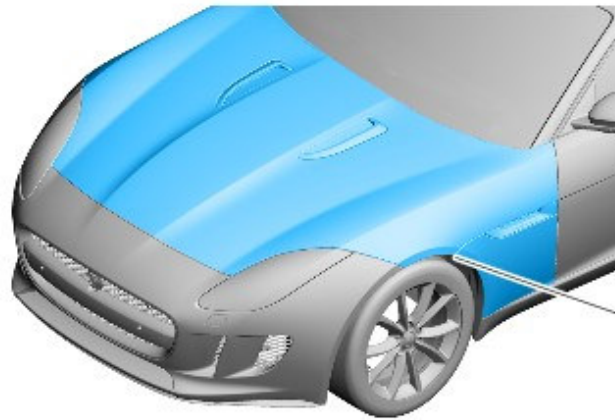
**Steps 2-8 show areas of the vehicle that require inspection before starting the procedure.**

2. Check the area shown for correct front fender-to-rocker panel alignment - '✓'.

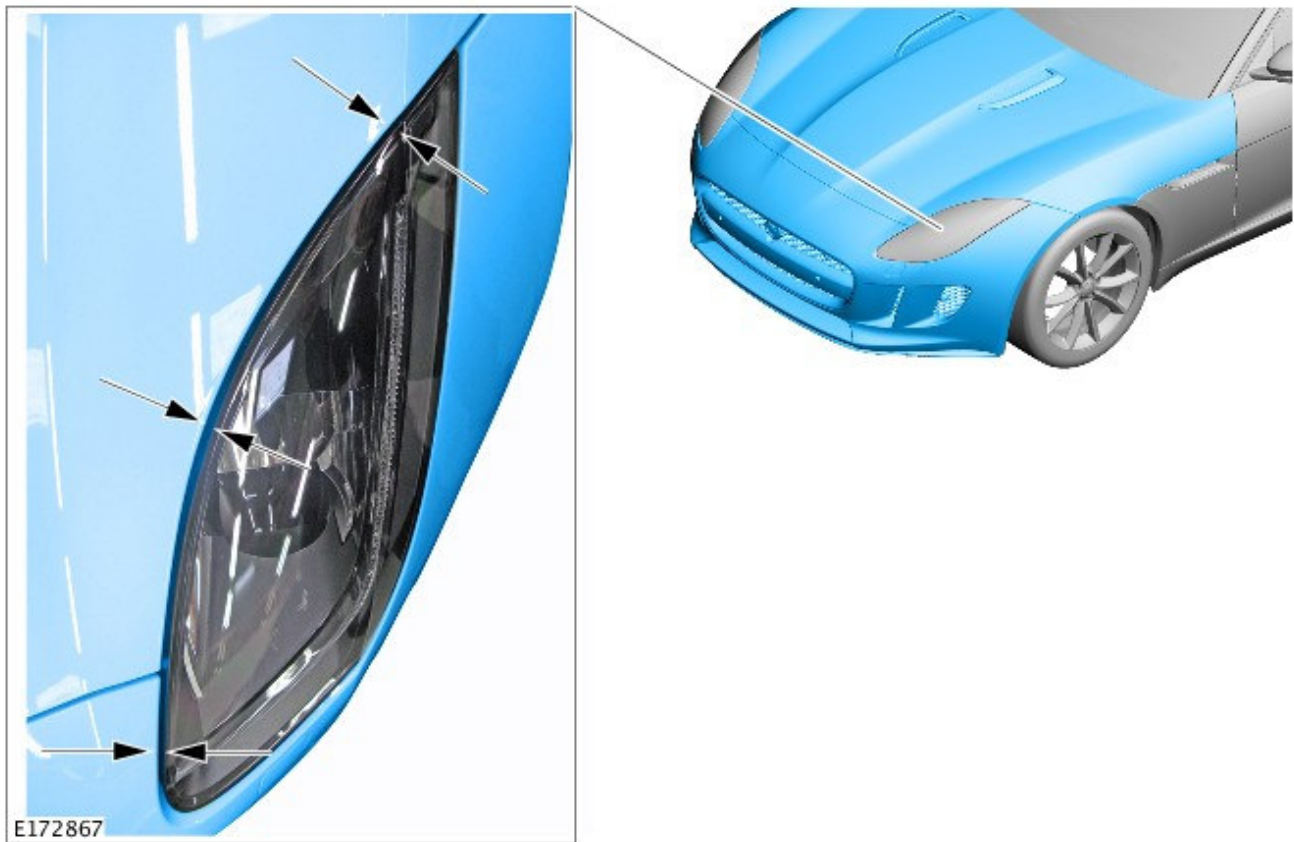


E172871

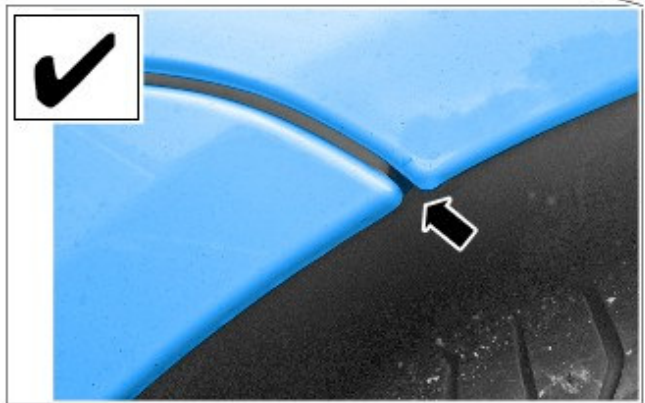
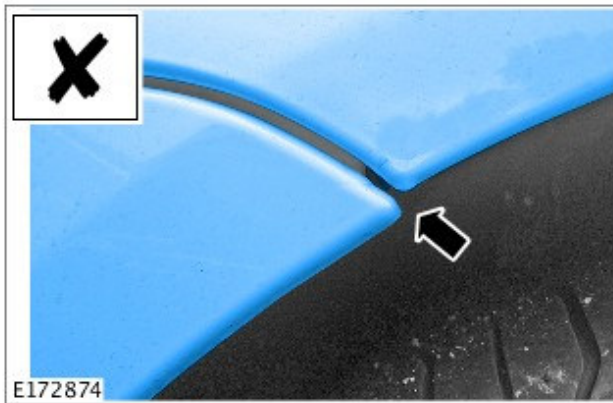
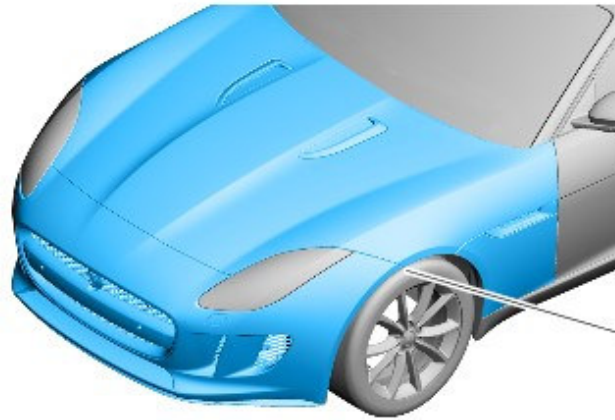
3. Check the area shown for correct front fender-to-hood alignment - '✓'.



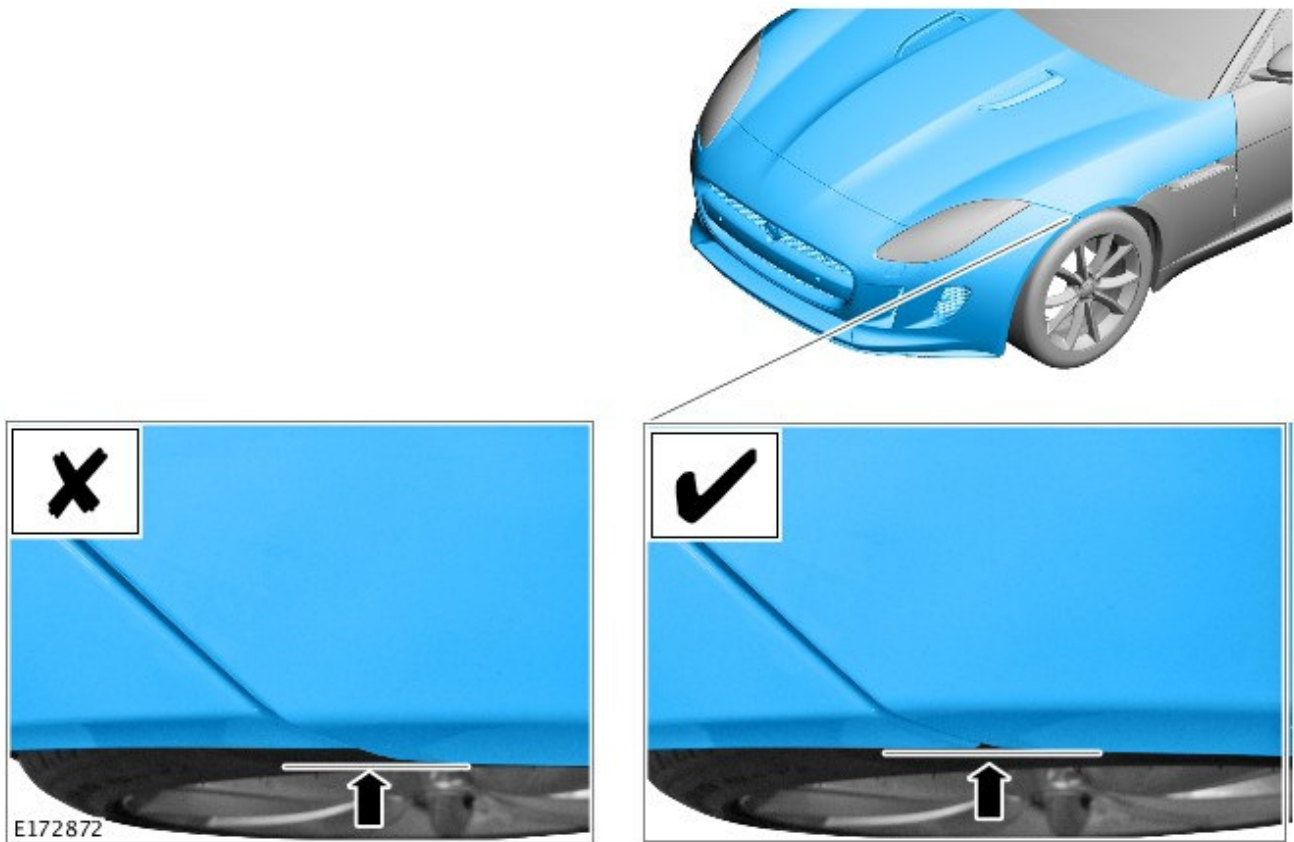
4. Check the area shown for correct headlamp-to-hood alignment.



5. Check area shown for correct bumper cover-to-hood alignment - '✓'.



6. Check the area shown for correct bumper cover-to-hood alignment - '✓'.



7. Check the area shown for correct bumper cover-to-hood alignment.

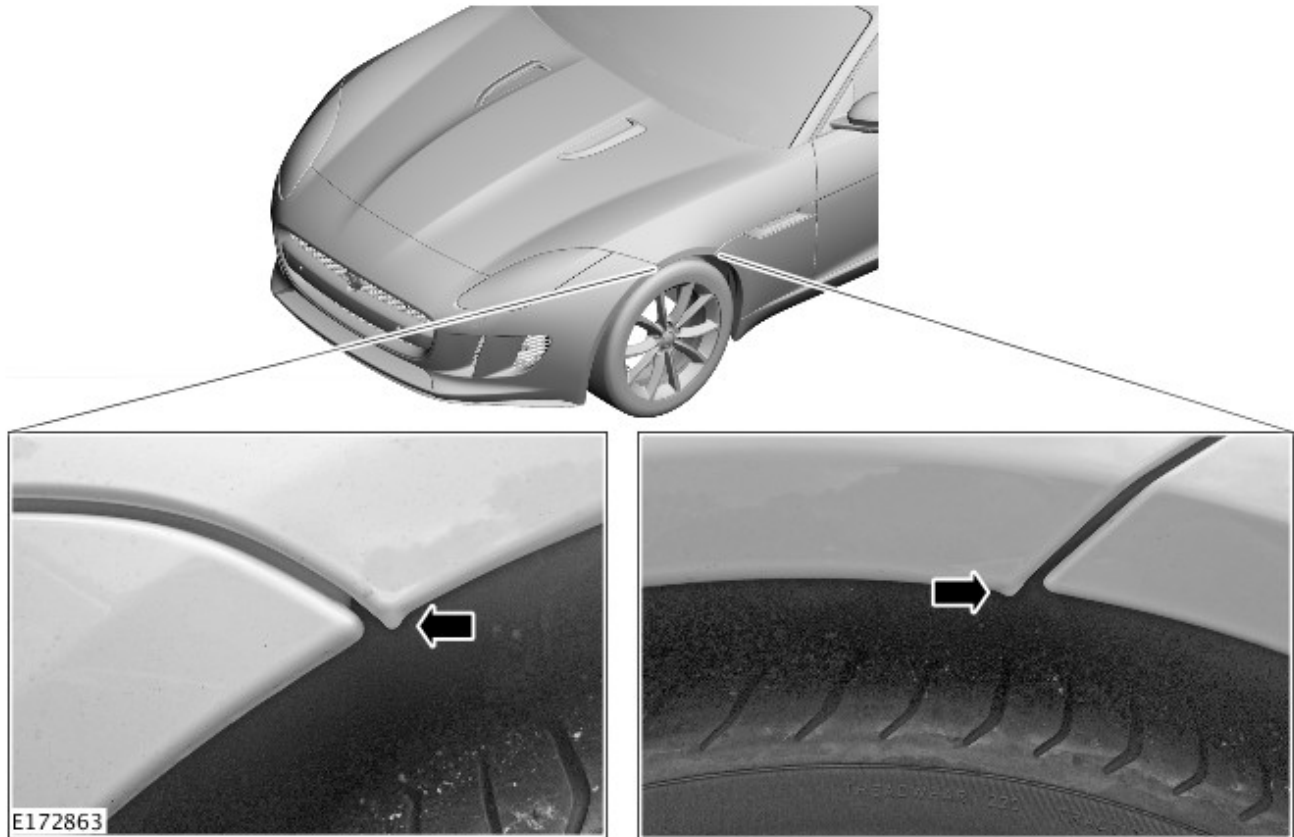


E172866

**Excess Paint Issues**

**8.** Check areas shown for excess paint.

- If no excess paint is found, continue to the next step.
- If excess paint is found, use a suitable tool to remove, touch up and repair the paintwork where required.



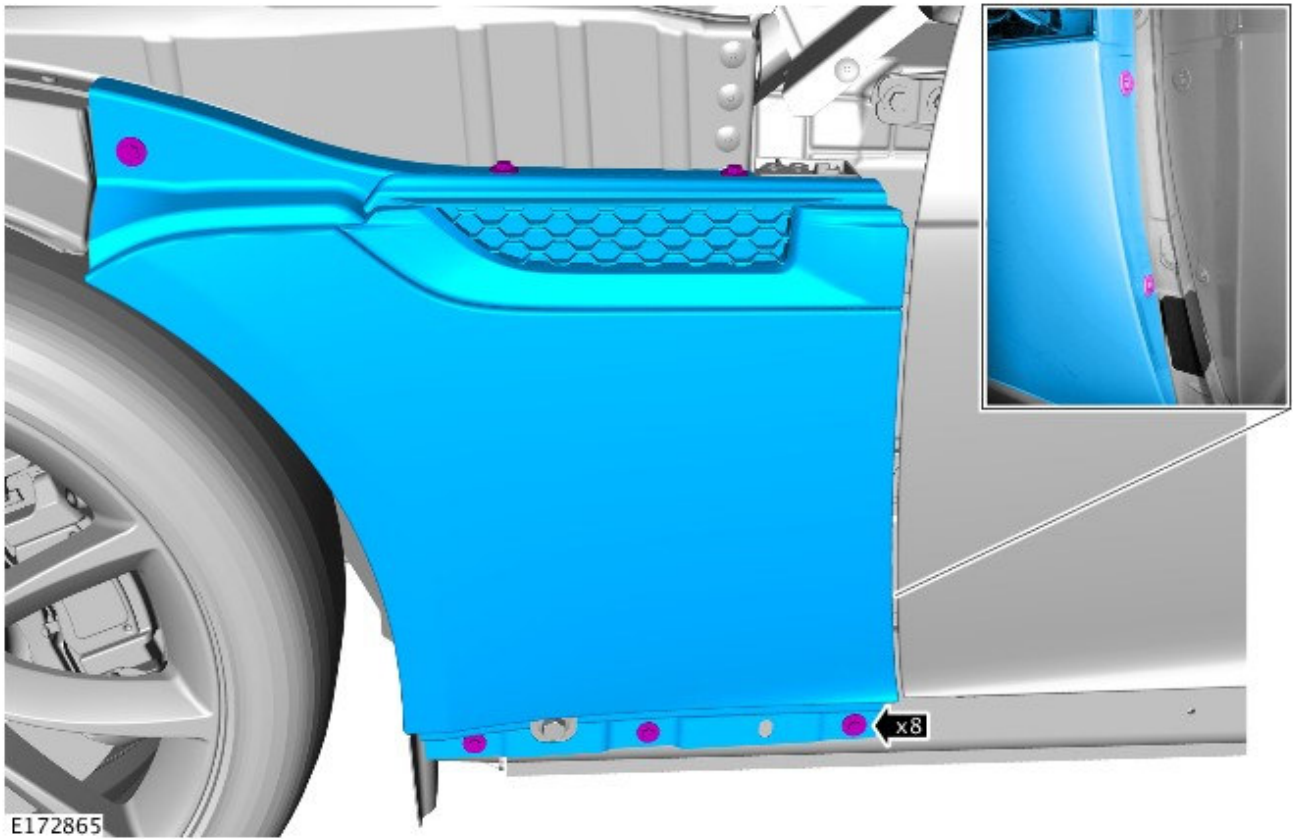
### Front Fender-to-Rocker Cover Alignment



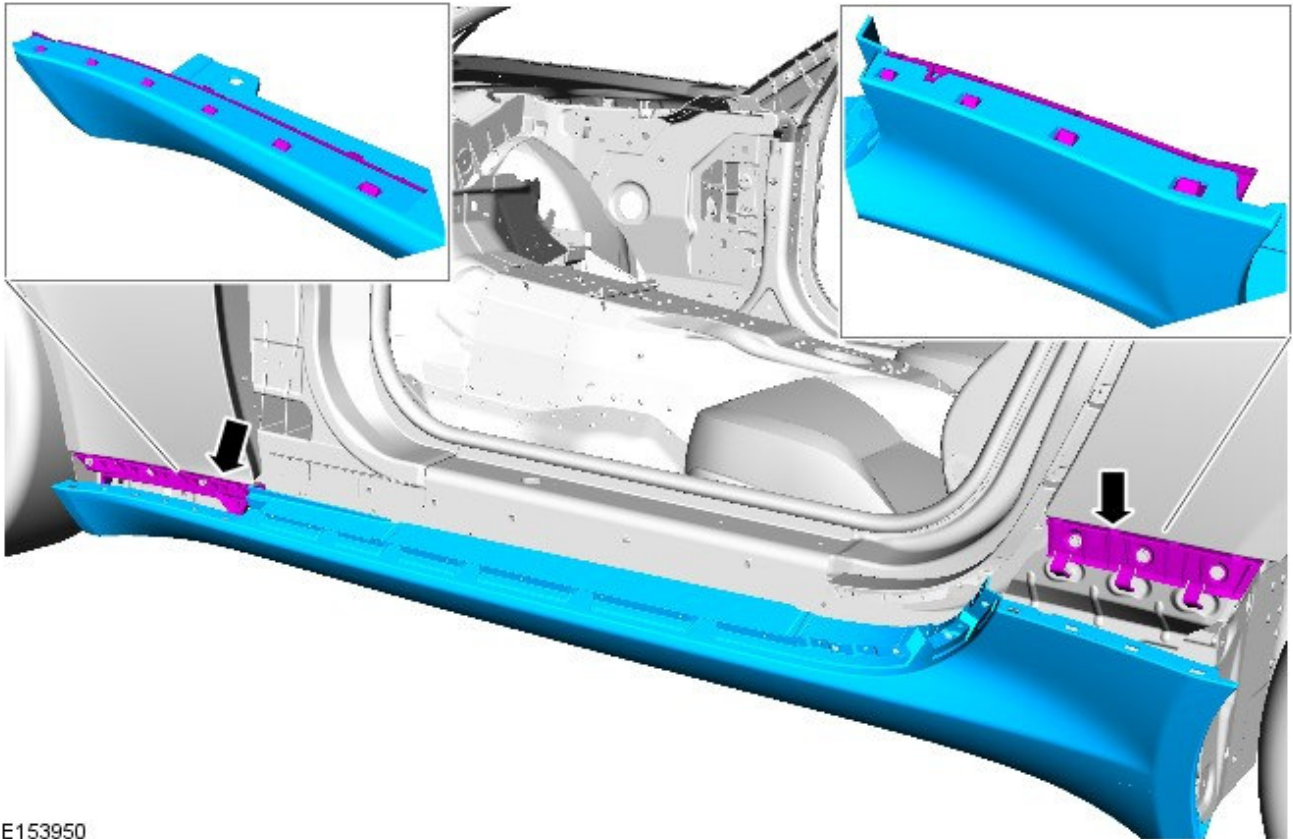
**NOTE:** Repeat this procedure on both sides of the vehicle if required.

9. Remove the fender splash shield; see TOPIx Workshop Manual, section 501-02: Front End Body Panels > Fender Splash Shield.
10. Remove the rocker panel moulding; see TOPIx Workshop Manual, section 501-08: Exterior Trim and Ornamentation > Rocker Panel Moulding.
11. Loosen the eight fender bolts; see TOPIx Workshop Manual, section 501-02: Front End Body Panels > Fender.



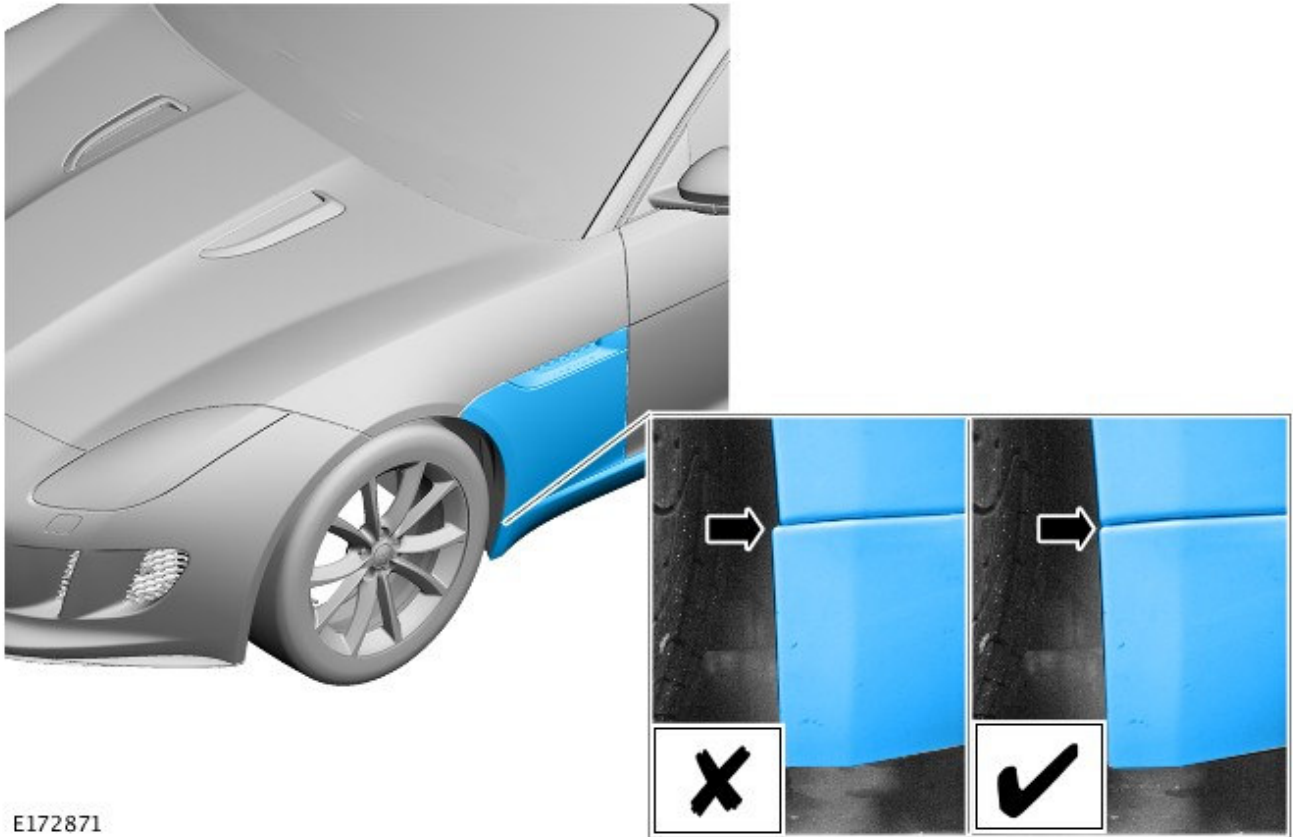


12. Locate the rocker panel moulding back onto the vehicle (do not install the fixings).



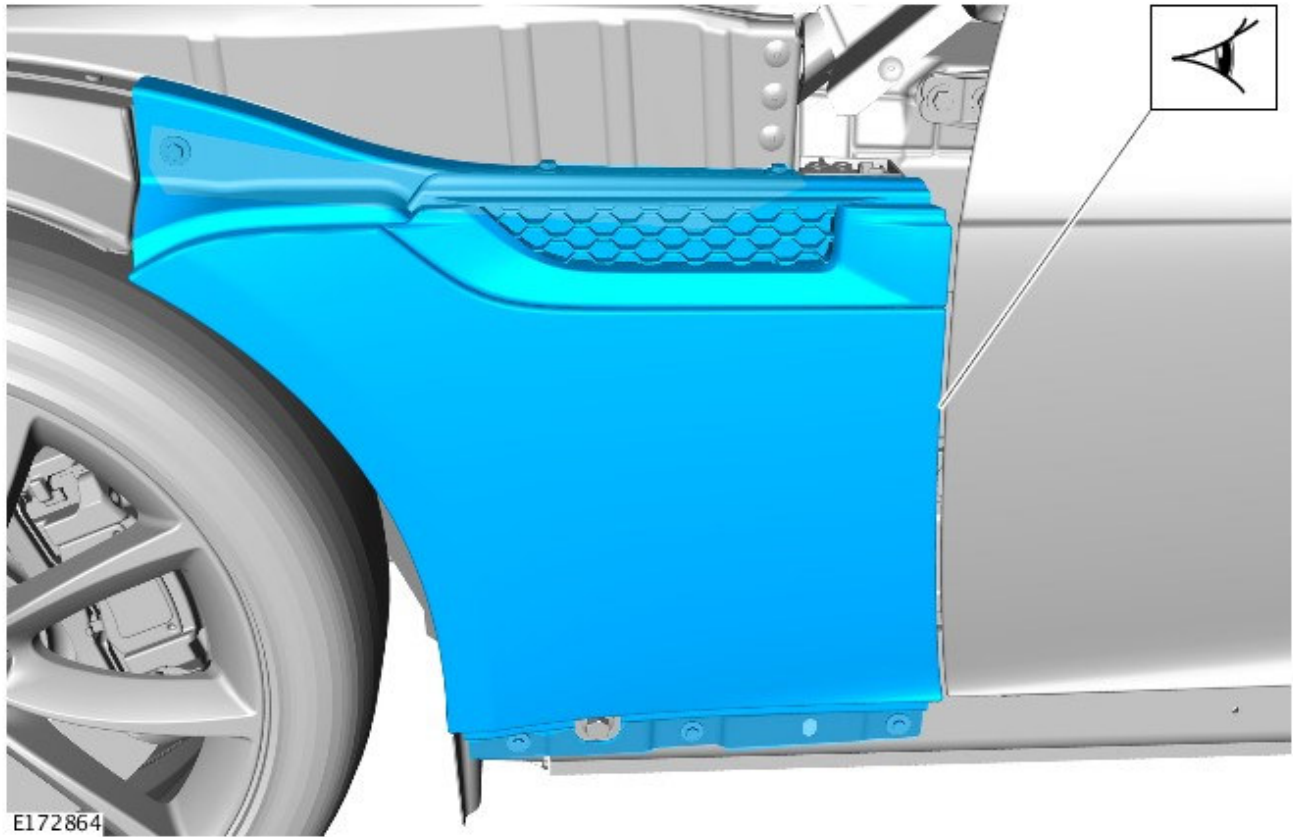
E153950

**13.** Align the fender with the front edge of the rocker cover to check the alignment of the fender - '✓'.



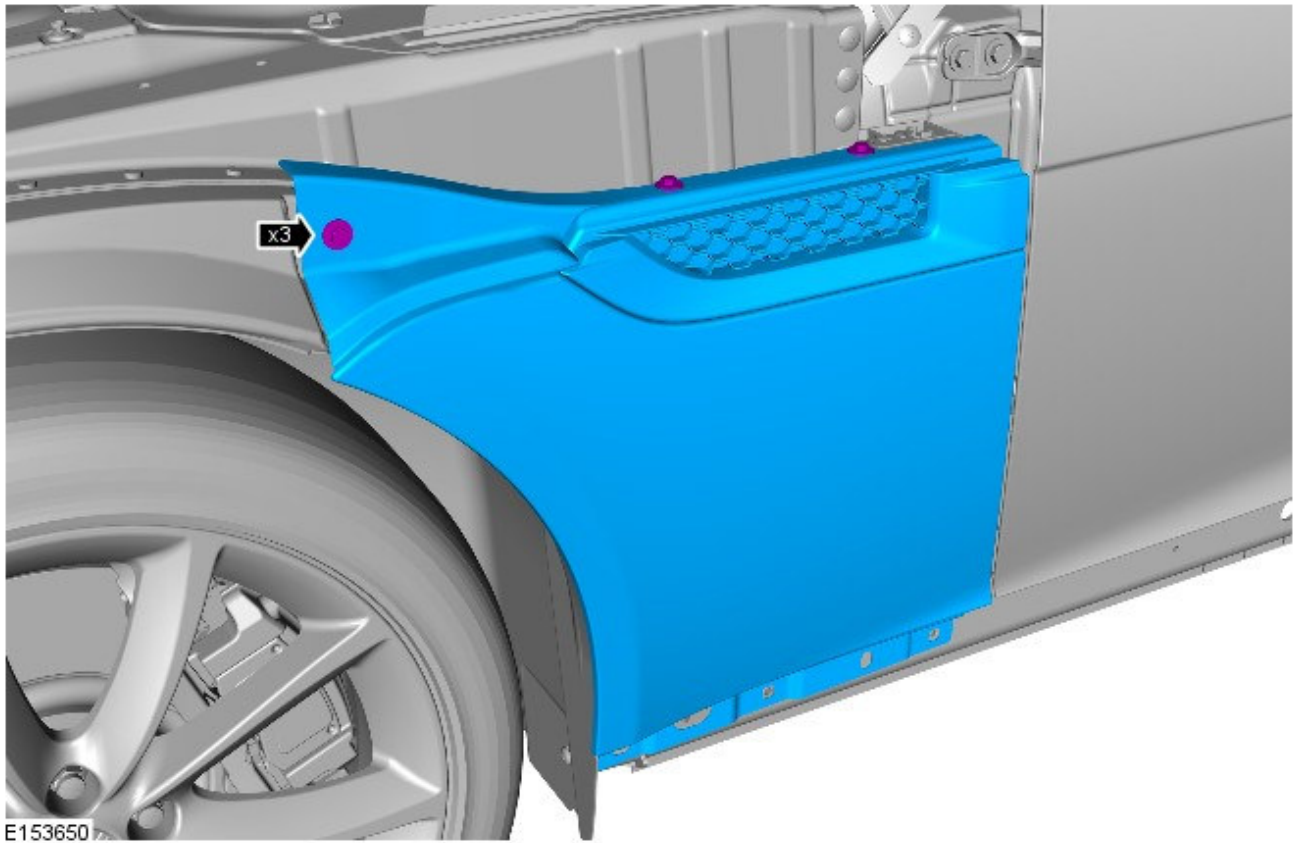
E172871

**14.** Align the fender with the front edge of door.



**15.** Tighten the top three fender bolts, make sure the fender is aligned to the door correctly.

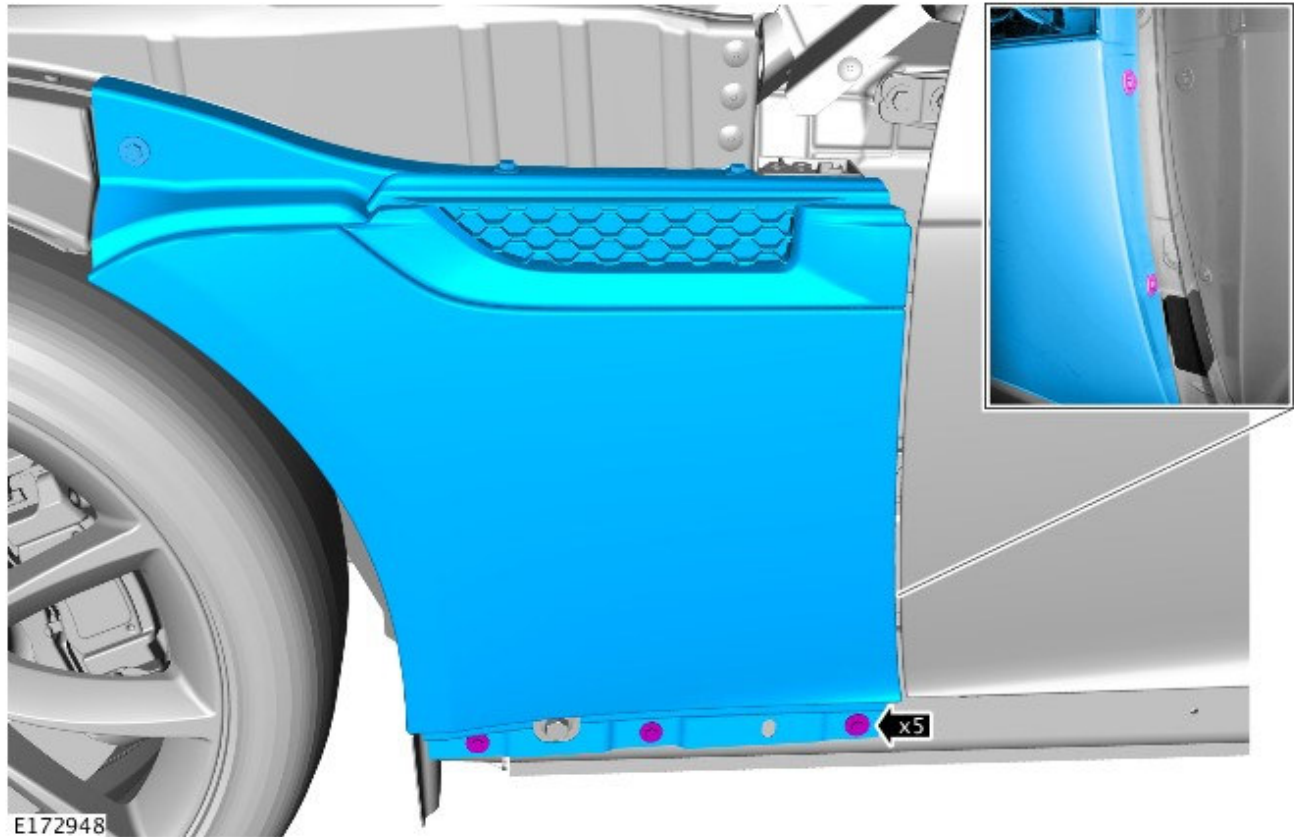
- Torque: 9Nm



**16.** Remove the rocker panel moulding.

**17.** Tighten the remaining fender retaining bolts.

- Torque: 9Nm



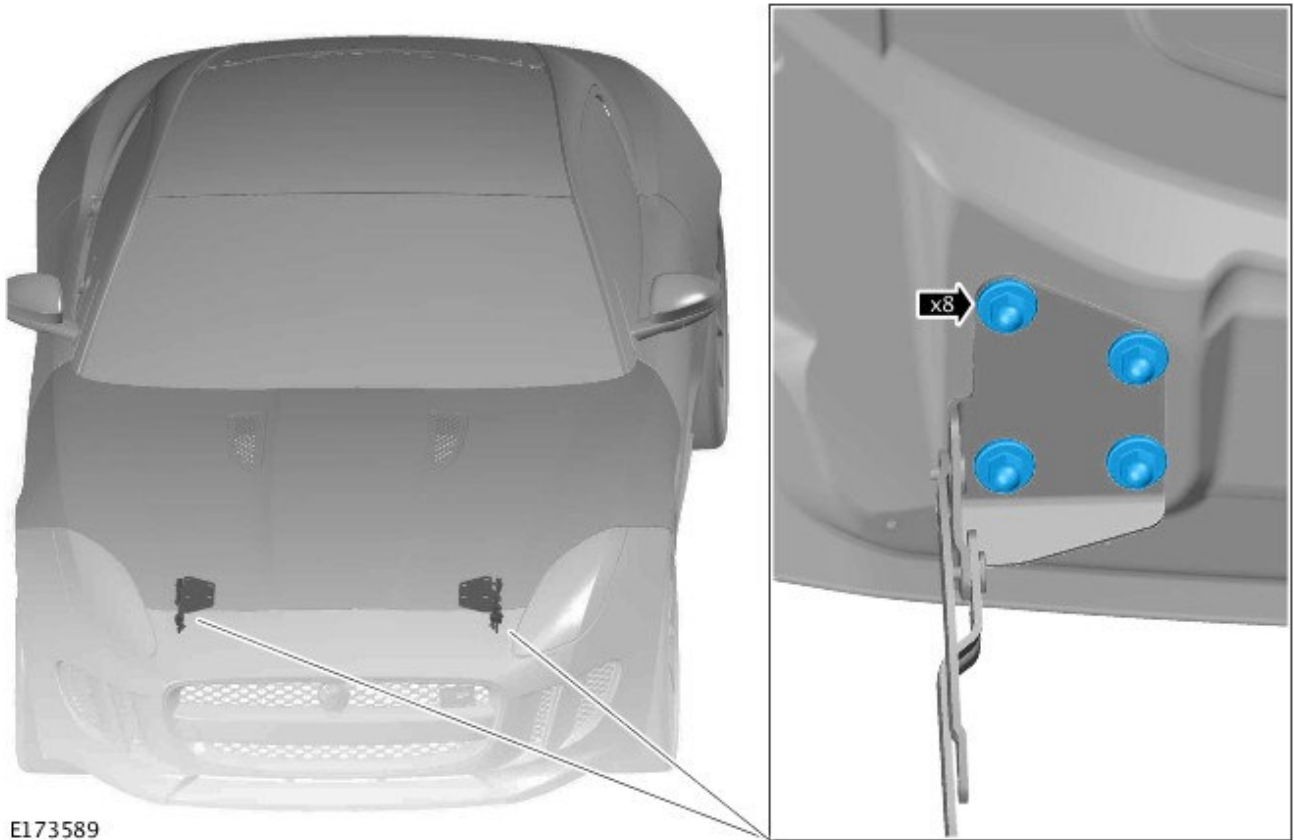
**18.** Touch up any damaged paint work where required.

**19.** Install the rocker panel moulding; see TOPIx Workshop Manual, section 501-08: Exterior Trim and Ornamentation > Rocker Panel Moulding, making sure the alignment is still correct.

**20.** Install the fender splash shield; see TOPIx Workshop Manual, section 501-02: Front End Body Panels > Fender Splash Shield.

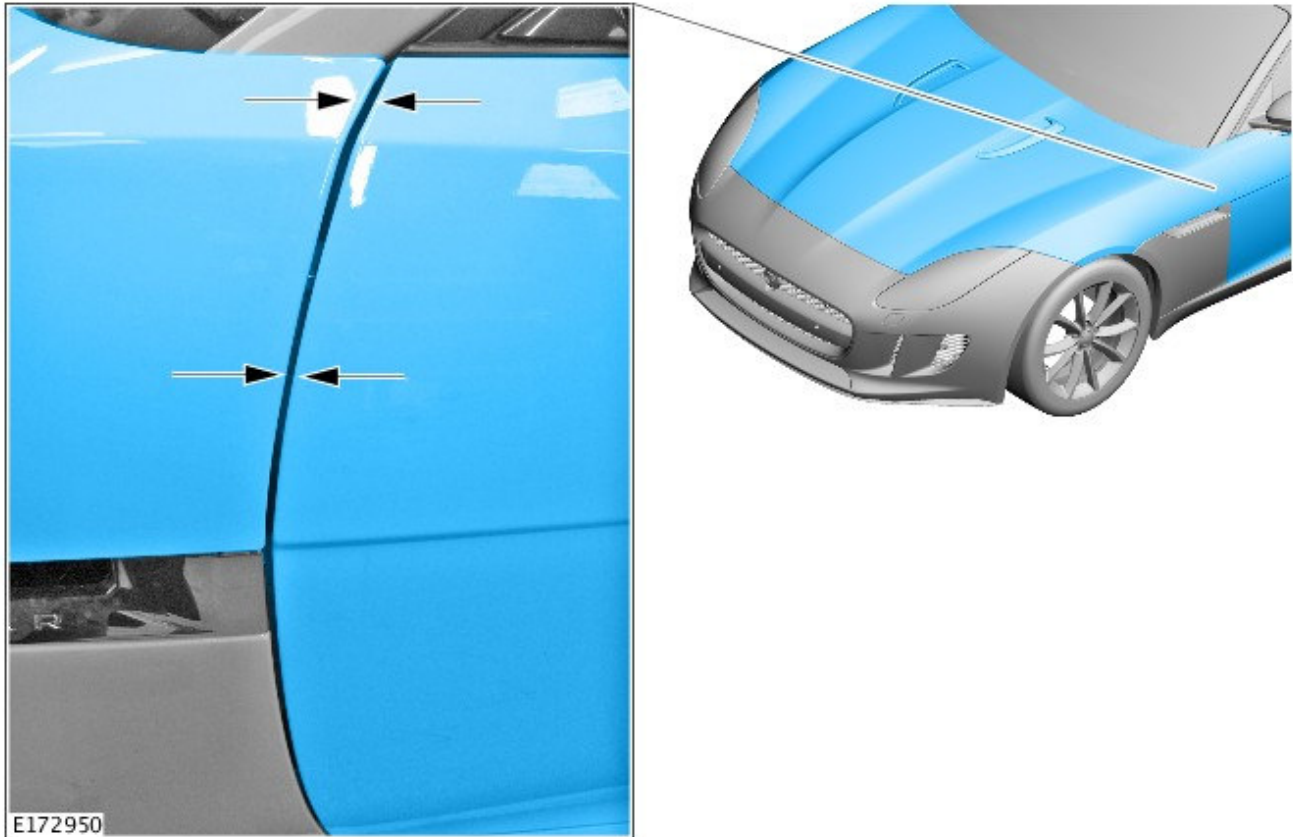
#### **Hood-to-Fender and Hood-to-Door Alignment**

**21.** With assistance, loosen the hood to hinge retaining bolts.



E173589

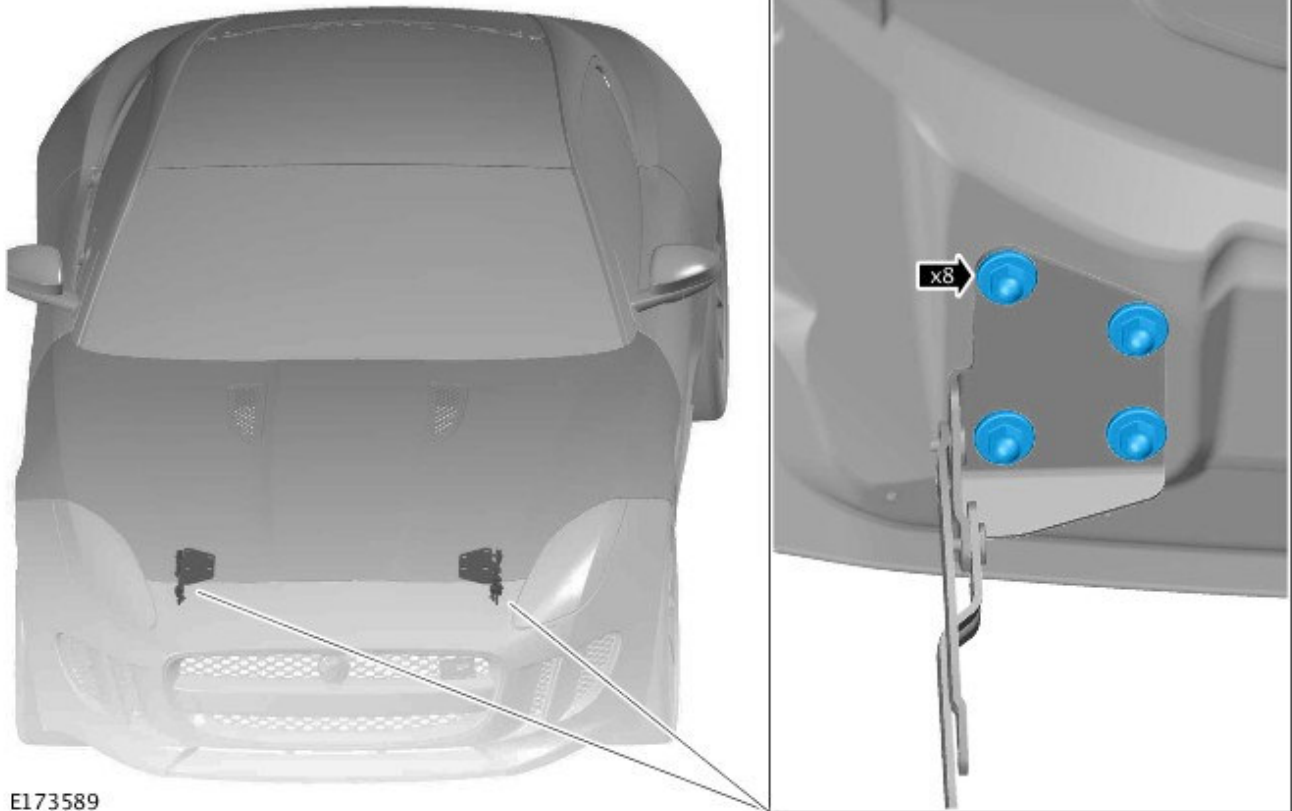
**22.** Align the hood with the doors; see TOPIx Workshop Manual, section 501-26:Vehicle Specific Information and Tolerance Checks > Description and Operation.



**23.** Tighten the hood-to-hinge retaining bolts.

- Torque: 25Nm



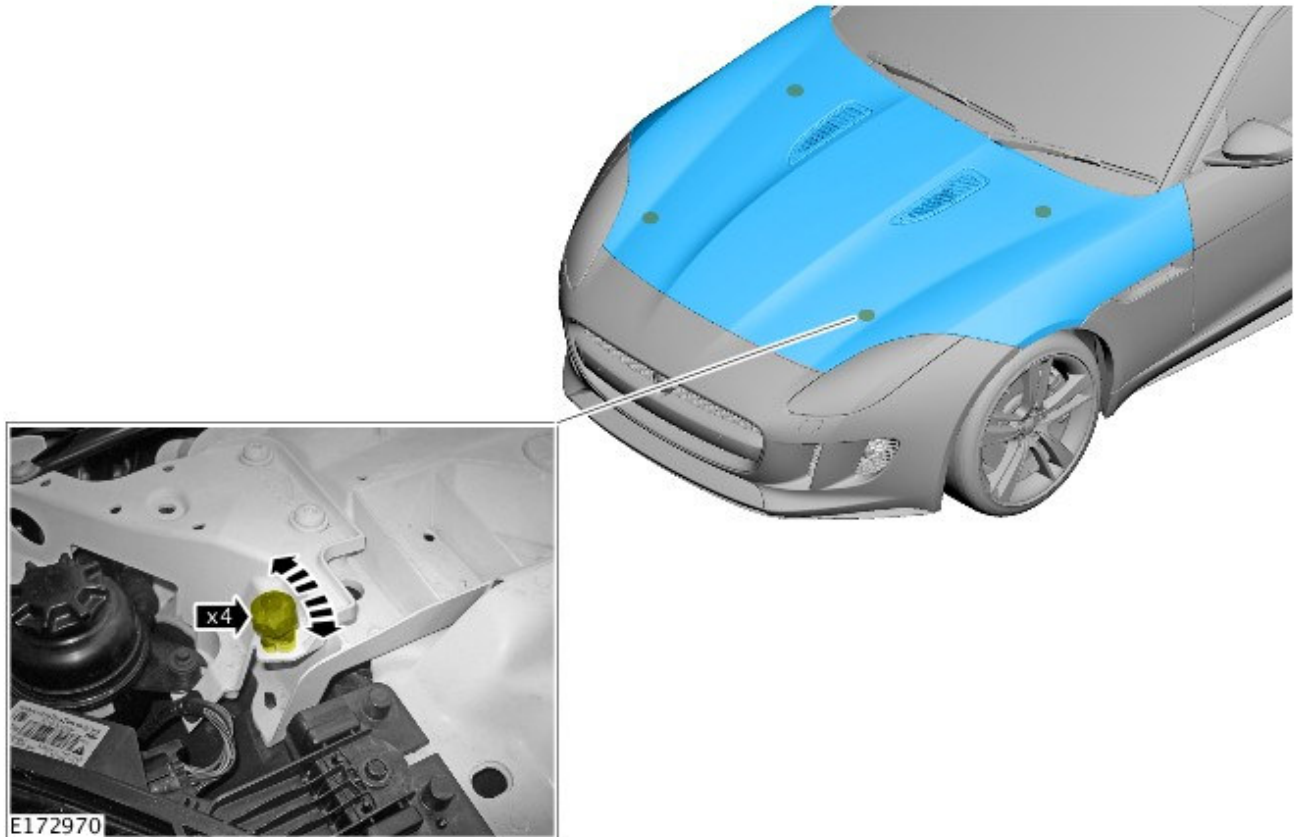


E173589

24.  **NOTE: Do not adjust the hood catches unless required.**

Use the hood height adjusters to achieve the correct hood alignment specification; see TOPIx Workshop Manual, section 501-26: Vehicle Specific Information and Tolerance Checks > Description and Operation.

- If required, adjust the hood catches to make final adjustments.

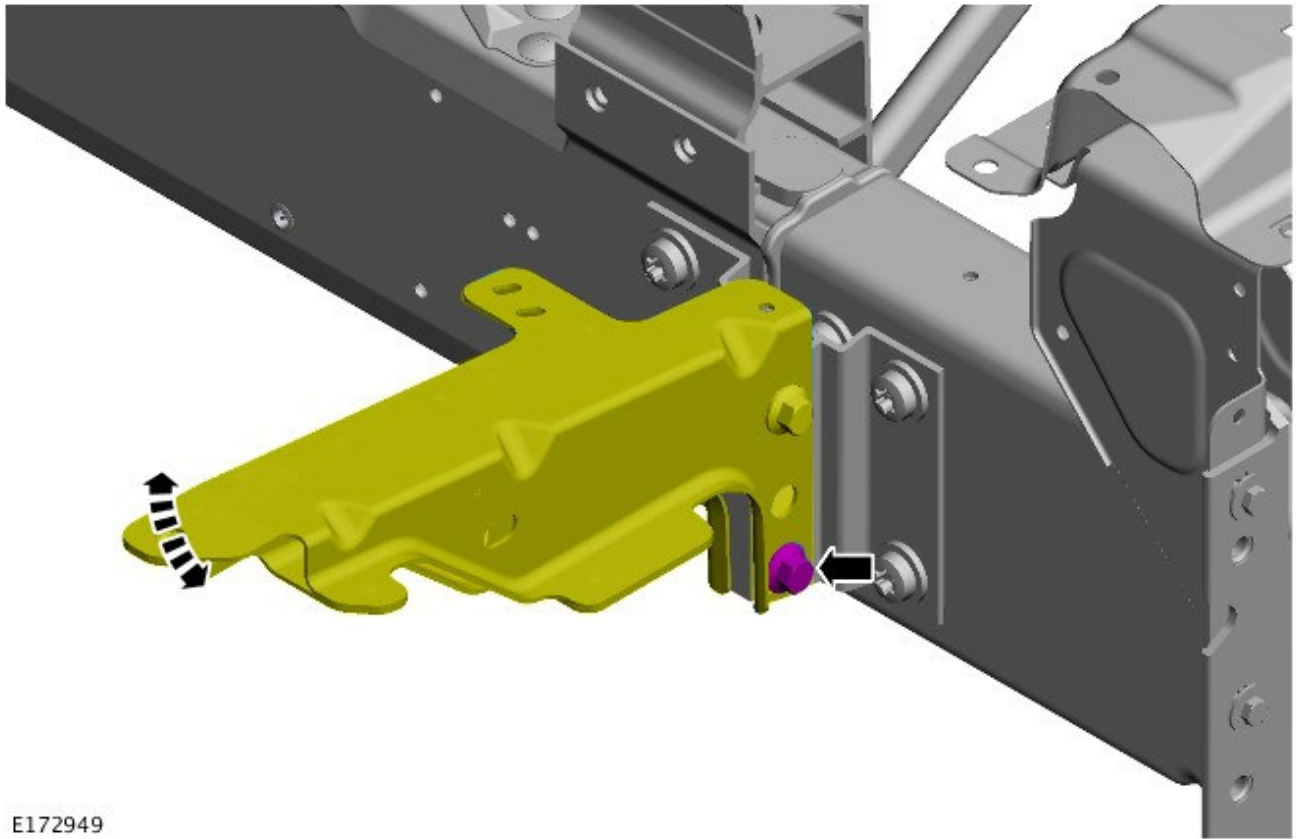


### Headlamp-to-Hood Alignment



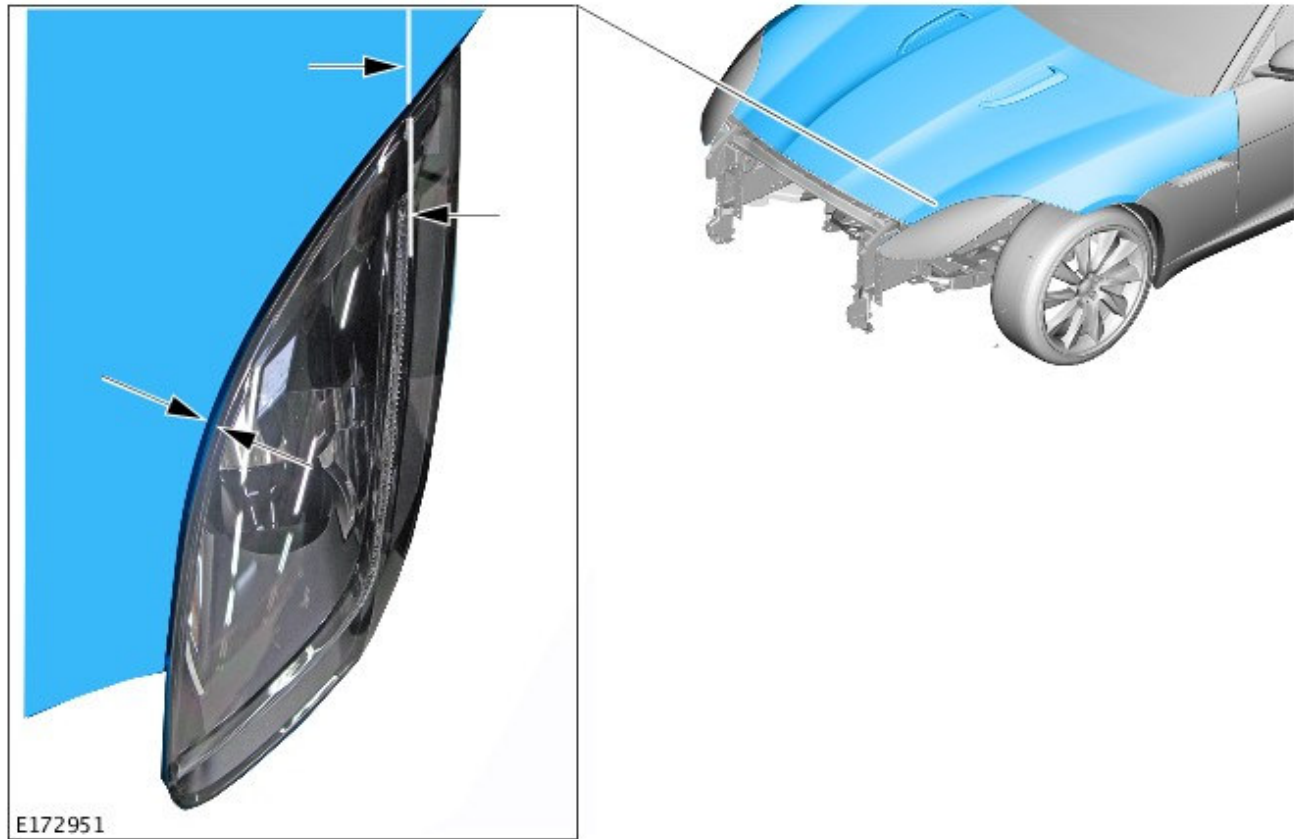
**NOTE: Repeat this procedure on both sides of the vehicle if required.**

25. Remove the front bumper cover; see TOPIx Workshop Manual, section 501-19: Front Bumper Cover.
26. Loosen the headlamp assembly fixing bolts.
27. Loosen the front side member side extension lower fixing bolt to allow for adjustment.



E172949

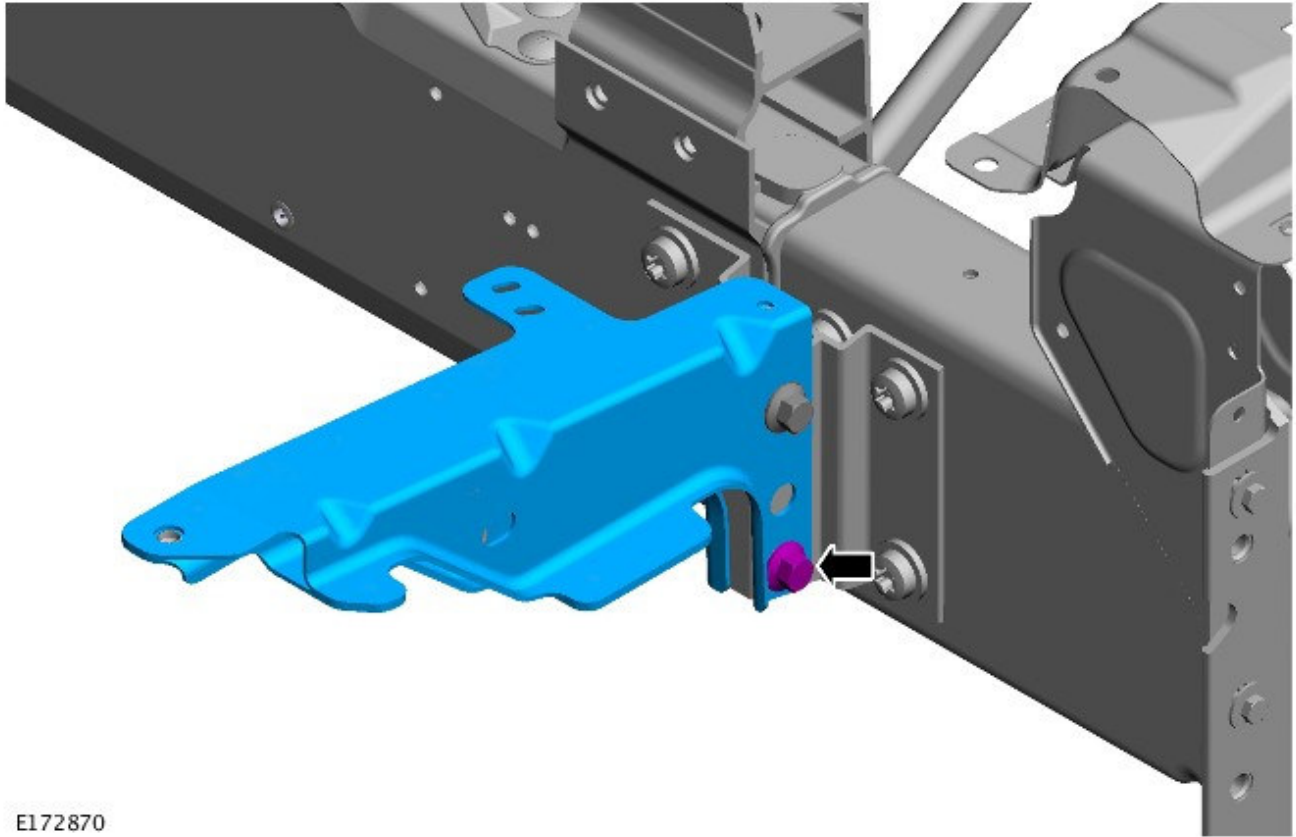
- 28.** Close the hood and align the headlamp to the hood in the area shown using the specification chart; see TOPIX Workshop Manual, section 501-26: Vehicle Specific Information and Tolerance Checks > Description and Operation.



29.  **NOTE: The illustration may vary but the essential information is the same.**

When the correct hood-to-headlamp gap has been achieved and while holding the headlamp in place, ensure the headlamp is correctly located.

- tighten front side member side extension lower fixing bolt.
  - Torque: 25Nm



E172870

**30.** Touch up any damaged paint work where required.

**31.** Open the hood.

**32.** Tighten the headlamp assembly fixing bolts.

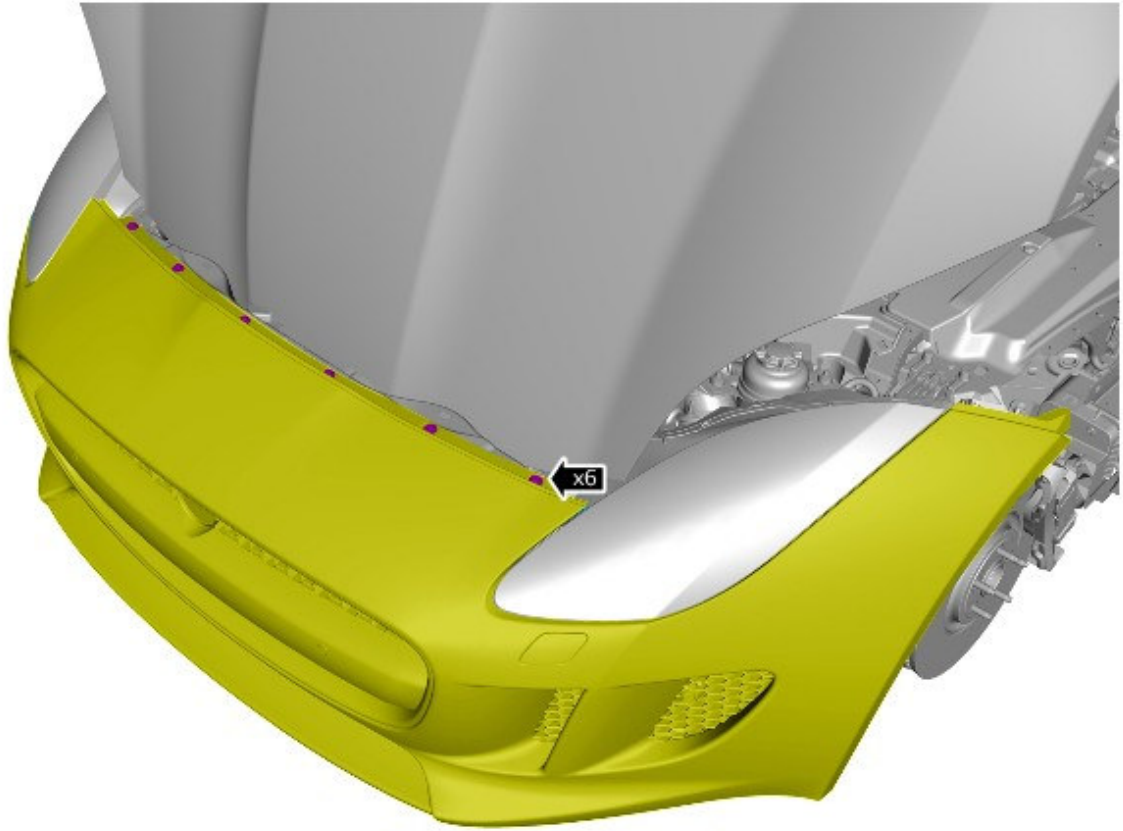
- Torque: 5Nm

**33.** Close the hood to check the alignment is correct.

**34.** Install the front bumper cover; see TOPIx Workshop Manual, section 501-19: Front Bumper Cover.

#### **Front Bumper Cover-to-Hood Alignment**

**35.** Loosen only the top six front bumper cover retaining bolts.



E172953

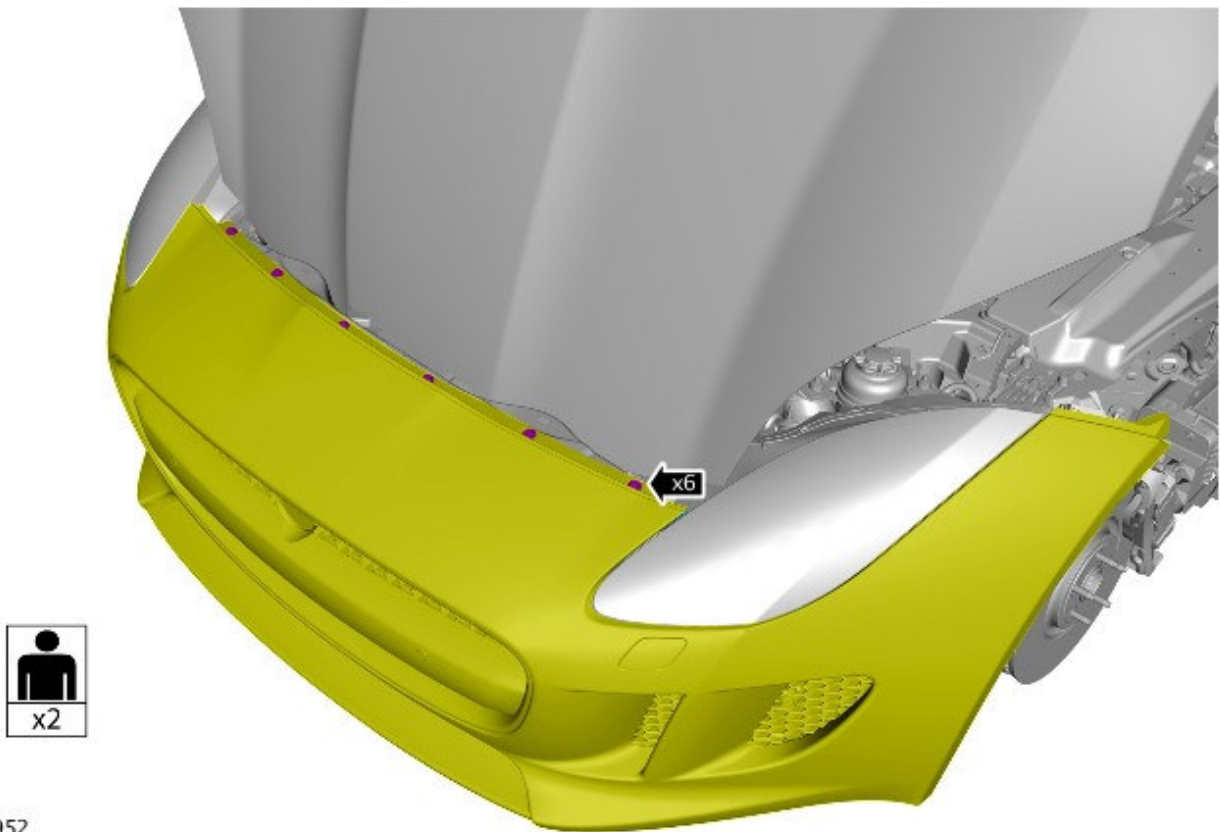
**36.** Close the hood and check the alignment gap; see TOPIx Workshop Manual, section 501-26: Vehicle Specific Information and Tolerance Checks > Description and Operation.



E172866

**37.** When the correct alignment gap is achieved, hold the front bumper cover in place and open the hood.

- Tighten the top six front bumper cover retaining bolts.
  - Torque: 4Nm



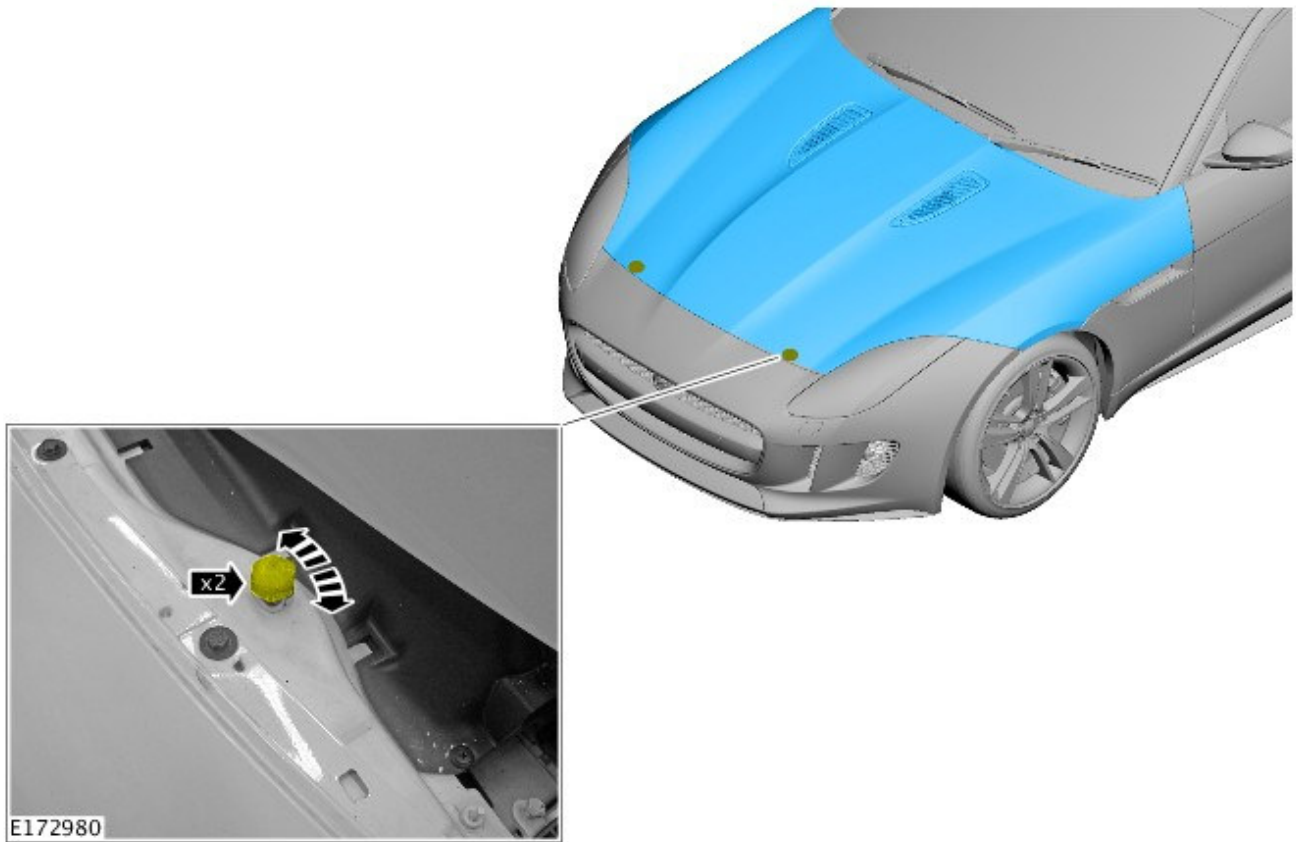
E172952

38.  **NOTE: Do not adjust the hood catches unless required.**

Use the hood height adjusters to achieve the correct hood alignment specification; see TOPIx Workshop Manual, section 501-26 Vehicle Specific Information and Tolerance Checks > Description and Operation.

- If required, adjust the hood catches to make final adjustments.

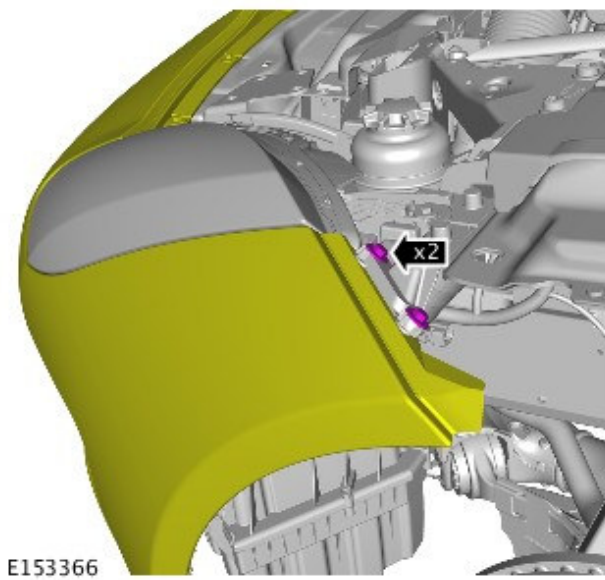




### Bumper-to-Hood

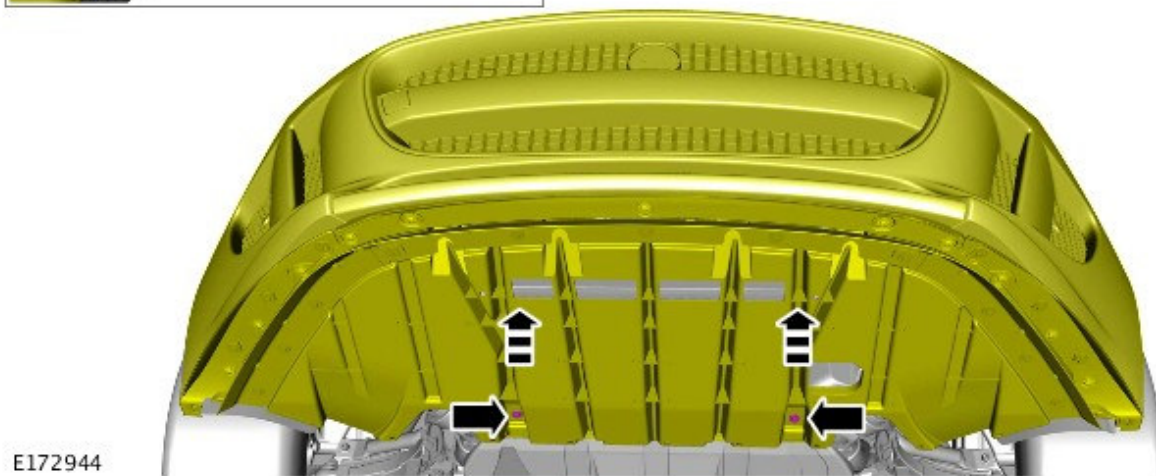
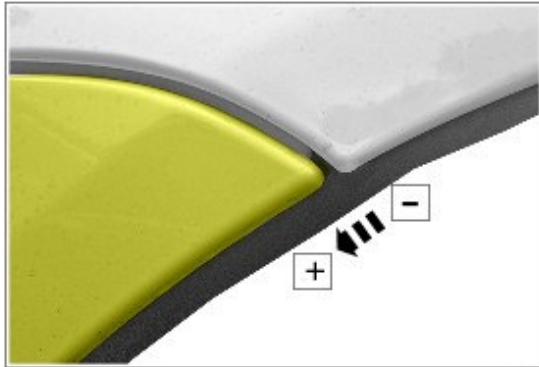
39.  **NOTE: Repeat this procedure on both sides.**

Loosen the front bumper cover side bolts.



**40.** If the gap is too small and out of specification, pull the bumper forward from the bottom until the correct size gap is achieved and then tighten the bolts shown.

- Torque: 4Nm

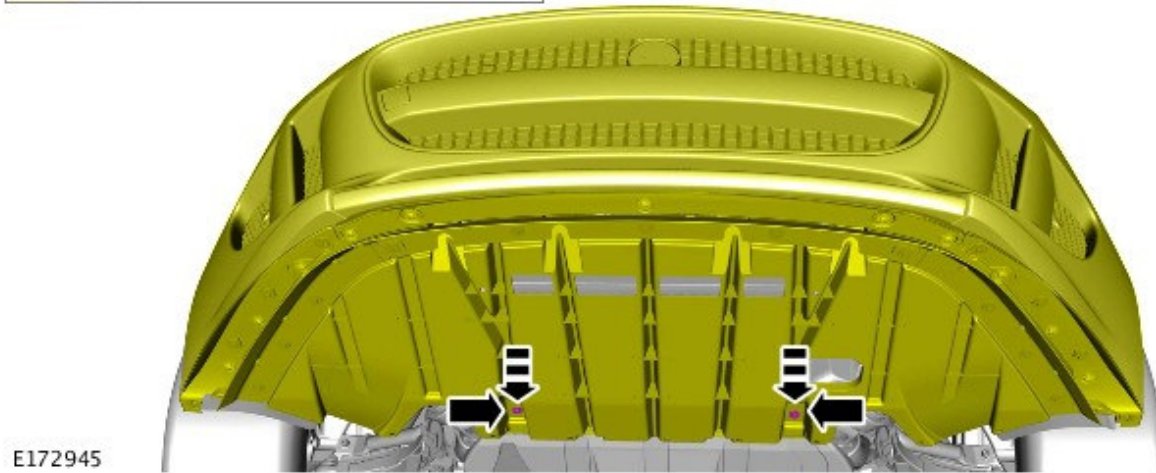
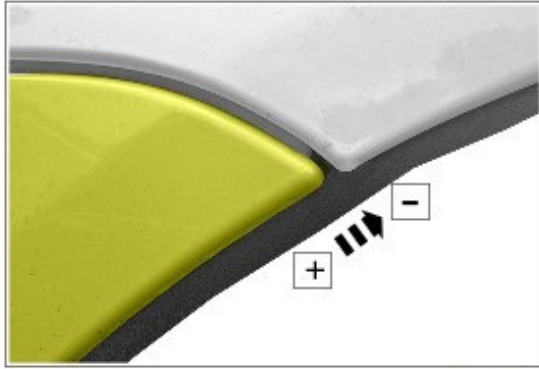


E172944

**41.** If the gap is too large and out of specification, push the lower part of the bumper forward until the correct size gap is achieved.

- Tighten the bolts as shown.

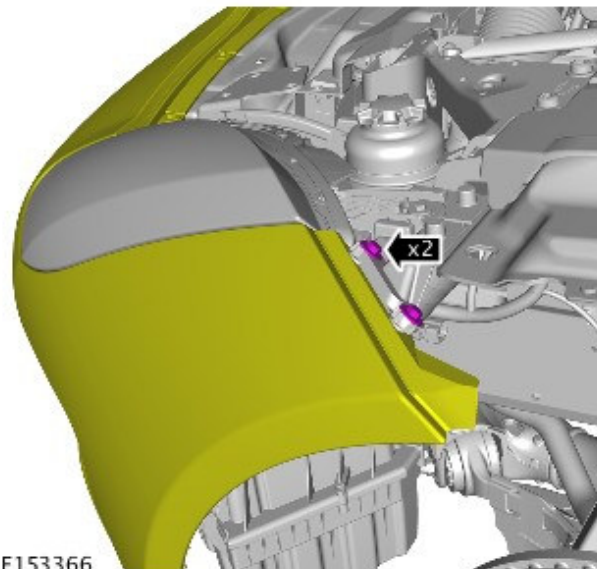
- Torque: 5Nm



E172945

42.  **NOTE: Repeat this procedure on both sides.**

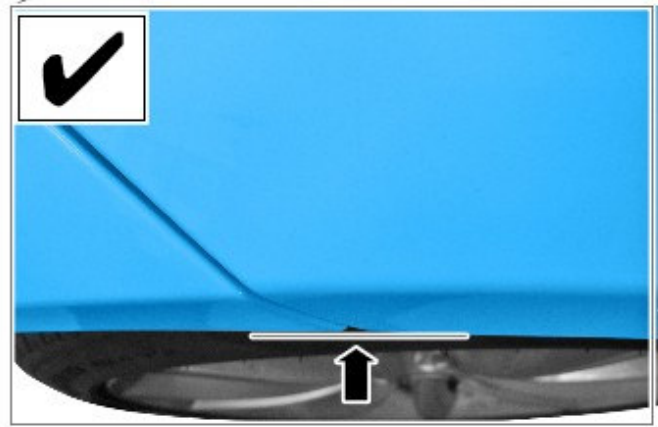
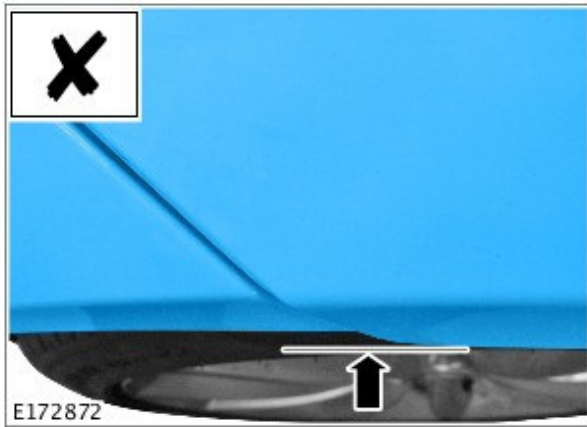
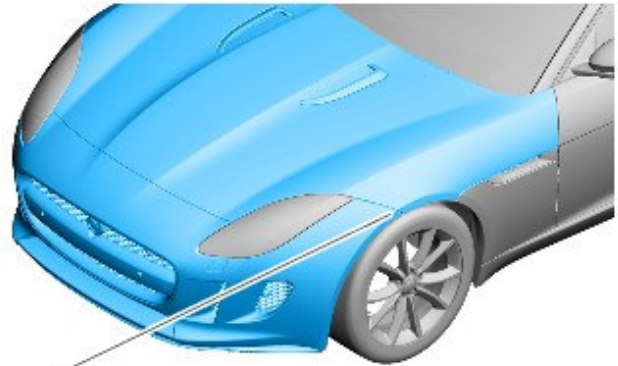
Hold the front bumper cover in the correct location.



E153366

43. Make sure the alignment is correct - '✓'; see TOPIx Workshop Manual, section 501-26: Vehicle Specific Information and Tolerance Checks > Description and Operation.

- Tighten the bolts.
- Torque: 4Nm



**44.** Install the fender splash shield; see TOPIx Workshop Manual, section 501-02: Front End Body Panels - Fender Splash Shield.