


Wind Noise From Moon Roof

Service Category Vehicle Exterior

Section Sliding Roof/Convertible

Market USA

Scion Supports
ASE Certification 

Applicability

YEAR(S)	MODEL(S)	ADDITIONAL INFORMATION
2005 – 2008	tC	

TSB SUPERSESSION NOTICE

The information contained in this TSB supersedes TSB No. NV011-07.

- Applicability has been updated to include 2008 model year applicable vehicles.

TSB No. NV011-07 is Obsolete and any printed versions should be discarded. Be sure to review the entire content of this service bulletin before proceeding.

Introduction

Customers may complain of wind noise from the moon roof when in the closed position. They may also notice that the moon roof sliding panel does not sit flush with the stationary panel when fully closed. This condition is caused by the gradual loss of the ECU's memorized position versus the actual position. If either of these conditions are present, replace the sliding roof drive gear assembly using the following instructions.

Production Change Information

MODEL	PRODUCTION CHANGE EFFECTIVE VIN
Scion tC	JTKDE1#7#80241980

Parts Information

PREVIOUS PART NUMBER	CURRENT PART NUMBER	PART NAME	QTY
63260-21040	63260 21051	Gear Assembly Sliding Roof Drive	1
63260-21050			

Warranty Information

OP CODE	DESCRIPTION	TIME	OFF	T1	T2
NV7018	R & R Sliding Roof Drive Gear Assembly	2.1	63260-21040	59	99

Wind Noise From Moon Roof

Warranty Information (Continued)

APPLICABLE WARRANTY

- This repair is covered under the Toyota Comprehensive Warranty. This warranty is in effect for 36 months or 36,000 miles, whichever occurs first, from the vehicle's in-service date.
- Warranty application is limited to correction of a problem based upon a customer's specific complaint.

Required Tools & Equipment

SPECIAL SERVICE TOOLS (SST'S)	PART NUMBER	QTY
Plastic Pry Tool Set*	00002-06000-01	1

* Essential SST.

NOTE

Additional SSTs may be ordered by calling SPX/OTC at 1-800-933-8335.

Repair Procedure

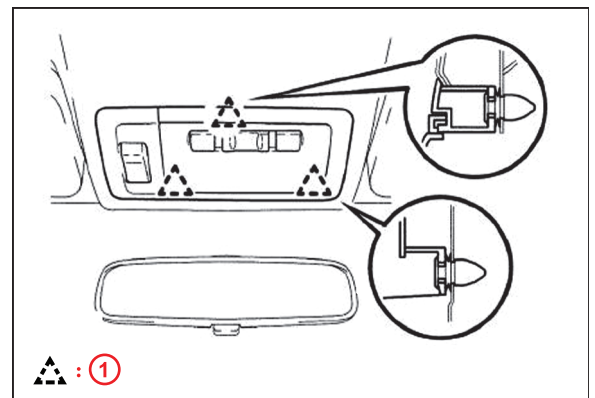
1. Disconnect the negative (-) battery terminal.

CAUTION

Wait at **LEAST 90 seconds** after disconnecting the cable from the negative (-) battery terminal to prevent airbag and seat pretensioner activation.

2. Remove the map light assembly.
 - A. Using a clip remover, detach the 3 clips and remove the light.

Figure 1.



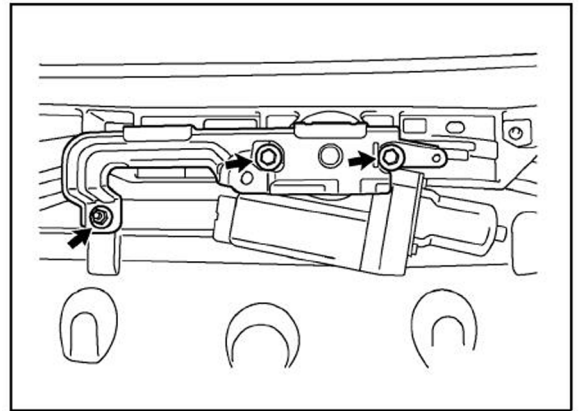
1	Clip
---	------

Wind Noise From Moon Roof

Repair Procedure (Continued)

- B. Disconnect the map light connector.
3. Remove the 2 bolts, nut, and bracket from the drive gear.

Figure 2.



4. Remove the sliding roof drive gear assembly.
5. Replace the sliding roof drive gear assembly with the NEW service part (P/N 63260-21051).
6. Reinstall the 2 bolts, nut, and bracket to the drive gear.
7. Reconnect the map light connector and install map light assembly.
8. Connect the cable to the negative (-) battery terminal.
9. Initialize the sliding roof gear. Refer to the Technical Information System (TIS):
 - [2005/2006/2007/2008](#) model year Scion tC Repair Manual, *Vehicle Exterior – Sliding Roof/Convertible – “Sliding Roof System: Initialization”*.
- A. Turn the ignition switch ON.
- B. With the moon roof in the fully closed position, press the close switch for approximately 2 seconds. When the sliding roof control ECU initialization is finished, the roof will automatically open and stop a few millimeters from the fully open position.
- C. Verify proper operation of “AUTO” mode.