



**Technical Service
BULLETIN**

January 9, 2007

Title:
INSIDE DOOR HANDLE CREAK
Models:
'07 FJ Cruiser

T S B

NV/001-07
H/VH

Introduction Some customers may notice a creaking noise coming from the inner door handles when opening the front driver and passenger doors. The door handle assembly has been improved to correct this condition.

- Applicable Vehicles**
- **2007** model year **FJ Cruiser** vehicles produced **BEFORE** the Production Change Effective VINs shown below.

**Production
Change
Information**

MODEL	PRODUCTION CHANGE EFFECTIVE VIN
FJ Cruiser	JTEZU11F870007157
	JTEBU11F670043365

**Parts
Information**

PREVIOUS PART NUMBER	CURRENT PART NUMBER	PART NAME	QTY
69205-35020-B0	Same	Handle Sub-Assembly, Door Inside RH	1
69206-35010-B0	Same	Handle Sub-Assembly, Door Inside LH	1

**Warranty
Information**

OP CODE	DESCRIPTION	TIME	OFF	T1	T2
672251	R & R Front Door Inside Handle Assembly (One Side)	0.3	69205-35020-B0 69206-35010-B0	91	19

Applicable Warranty*:

This repair is covered under the Toyota Comprehensive Warranty. This warranty is in effect for 36 months or 36,000 miles, whichever occurs first, from the vehicle's in-service date.

* Warranty application is limited to correction of a problem based upon a customer's specific complaint.

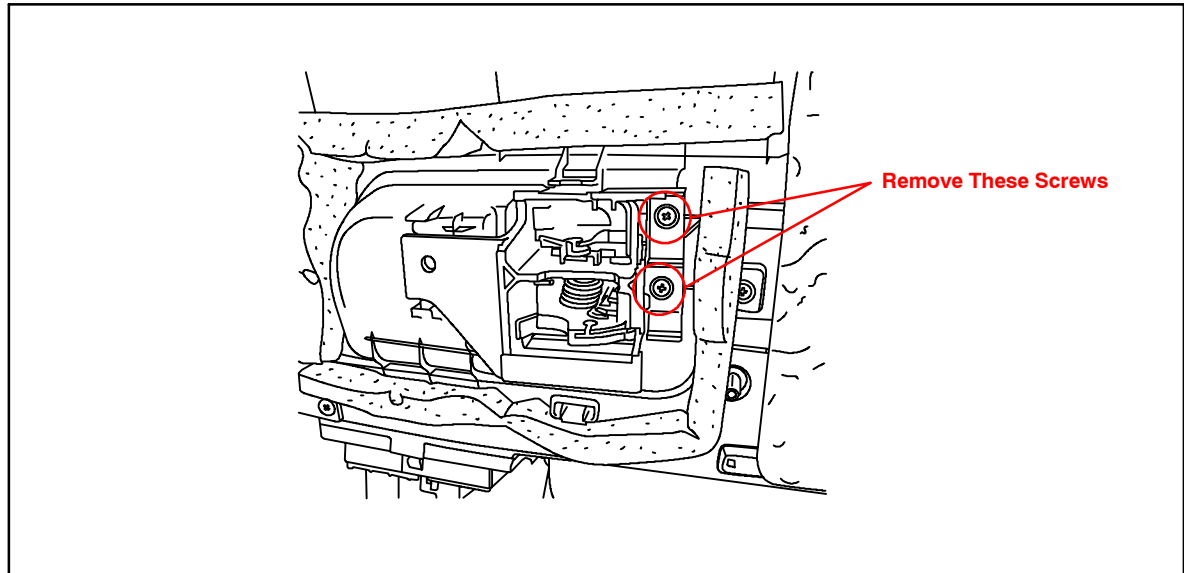


**Repair
Procedure**

1. Remove the front door panel.

Refer to the Technical Information System (TIS), 2007 model year FJ Cruiser Repair Manual, *Vehicle Exterior - Door/Hatch - "Engine Hood/Door: Front Door: Disassembly"*.

2. Remove the two screws and the inside door handle assembly.



3. Install the NEW inside door handle assembly in reverse order and reassemble the door panel.

NOTE:

Be sure to securely fasten the front door lock remote control cable and front door inside locking cable to the handle assembly before reassembly, as shown below.

