



SERVICE BULLETIN

Classification: EL07-015	Reference: NTB07-027	Date: May 3, 2007
-----------------------------	-------------------------	----------------------

2007 TITAN AND ARMADA; ENGINE OVERHEATS AND/OR CONDENSER FAN IS INOPERATIVE

APPLIED VEHICLES: 2007 Titan (A60)
2007 Armada (TA60)

APPLIED VINS: Titan built before 1N6(*)A0(**)7N 224874
Armada built before 5N1AA08(**)7N 715024

APPLIED DATE Built before December 20, 2006

IF YOU CONFIRM

The engine is overheating under normal driving conditions and the engine cooling system is operating correctly,

and/or

The condenser fan is inoperative,

and/or

Poor A/C performance when there is high outside temperature and the condenser fan is running.

ACTIONS

1. Make sure the condenser fan does not already have a jumper harness installed (see Jumper Harness installation on page 3).
 - If a jumper harness is already installed, this bulletin does not apply.
2. Replace the condenser fan.
3. Install a jumper harness onto the condenser fan.

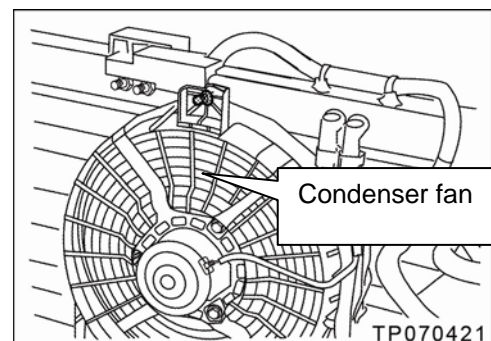


Figure 1

IMPORTANT: The purpose of “ACTIONS” (above) is to give you a quick idea of the work you will be performing. You **MUST** closely follow the entire Service Procedure (starting on page 2) as it contains information that is essential to successfully completing the repair.

Nissan Bulletins are intended for use by qualified technicians, not 'do-it-yourselfers'. Qualified technicians are properly trained individuals who have the equipment, tools, safety instruction, and know-how to do a job properly and safely. NOTE: If you believe that a described condition may apply to a particular vehicle, DO NOT assume that it does. See your Nissan dealer to determine if this applies to your vehicle.

PARTS INFORMATION

DESCRIPTION	PART #	QUANTITY
Condenser Fan	92120 – ZC20A	1
Jumper Harness	24167 – ZJ50A	1

CLAIMS INFORMATION

Submit a CM line claim using the following claims coding:

“CM” I.D.: P7215

DESCRIPTION	OP CODE	FRT
Install Jumper Harness and RPL Fan / Motor Assy.	P72151	0.5 hrs.

SERVICE PROCEDURE

1. Make sure the condenser fan does not already have a jumper harness installed (see Jumper Harness installation on page 3).
 - If a jumper harness is already installed, this bulletin does not apply. Go to ASIST for further diagnostic and repair information.
2. Replace the engine cooling fan—motor driven type (condenser fan).
 - Refer to section CO in the Service Manual for fan replacement information.
 - **During condenser fan replacement, install the jumper harness as shown on the next page.**

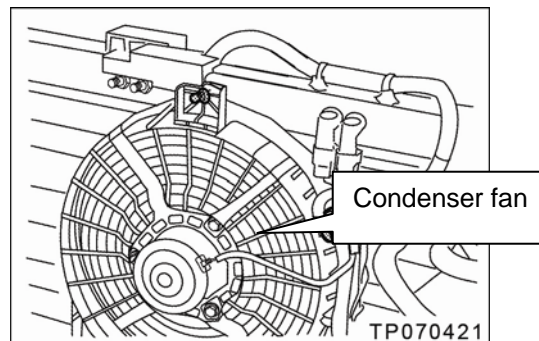


Figure 2

3. Make sure the incident is fixed.

Jumper Harness Installation

A. Make sure the jumper harness Part Number is 24167 – ZJ50A.

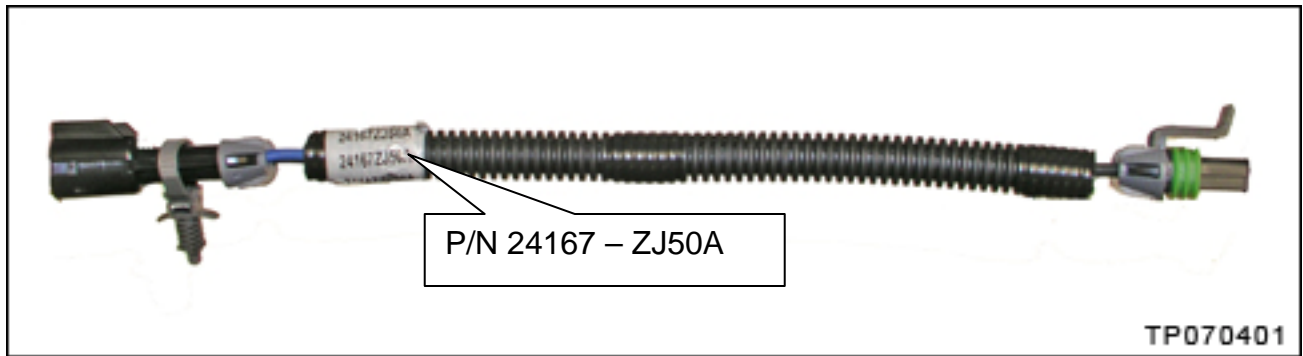


Figure 3

B. Connect the new jumper harness as shown.

NOTE: Make sure only one jumper harness is installed as shown.



Figure 4

C. Mount the connector in the 4th hole as shown.

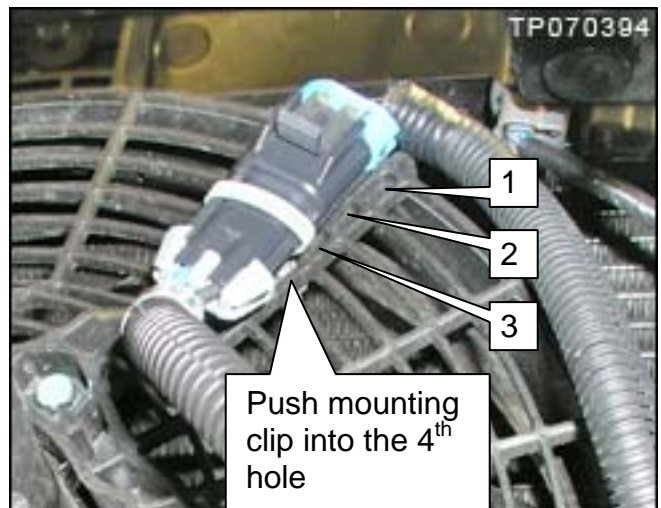


Figure 5