

- ATTENTION:**
- GENERAL MANAGER
 - PARTS MANAGER
 - CLAIMS PERSONNEL
 - SERVICE MANAGER

IMPORTANT - All Service Personnel Should Read and Initial in the boxes provided, right.

© 2023 Subaru of America, Inc. All rights reserved.



QUALITY DRIVEN® SERVICE

SERVICE BULLETIN

APPLICABILITY: 2015-22 MY Outback & Legacy
 2018-22 MY Crosstrek
 2019-22 MY Forester
 2019-22 MY Ascent

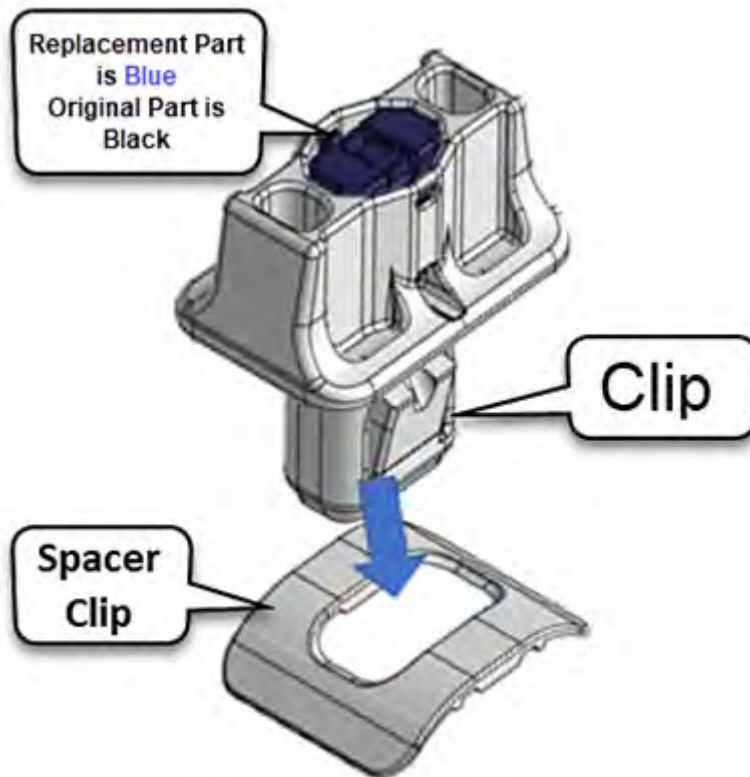
NUMBER: 17-18-23

DATE: 05/08/23

SUBJECT: Air Bag Curtain Module Mounting Clip & Spacer Clip

INTRODUCTION:

This bulletin announces availability of the one-time use mounting clip and spacer clip for the air bag curtain module. Previously, these clips were not available separately requiring the curtain module assembly to be replaced if the clips were removed. If the air bag curtain module requires removal, the clips can now be replaced individually.



CAUTION: VEHICLE SERVICING PERFORMED BY UNTRAINED PERSONS COULD RESULT IN SERIOUS INJURY TO THOSE PERSONS OR TO OTHERS.

Subaru Service Bulletins are intended for use by professional technicians ONLY. They are written to inform those technicians of conditions that may occur in some vehicles, or to provide information that could assist in the proper servicing of the vehicle. Properly trained technicians have the equipment, tools, safety instructions, and know-how to do the job correctly and safely. If a condition is described, DO NOT assume that this Service Bulletin applies to your vehicle, or that your vehicle will have that condition.

Subaru of America, Inc. is ISO 14001 Compliant

ISO 14001 is the international standard for excellence in Environmental Management Systems. Please recycle or dispose of automotive products in a manner that is friendly to our environment and in accordance with all local, state and federal laws and regulations.

Continued...

IMPORTANT: If an airbag requires reinstallation, a visual inspection the airbag **MUST** be performed to confirm there is no damage or deformations. If any damage or deformations are found the airbag will require replacement.

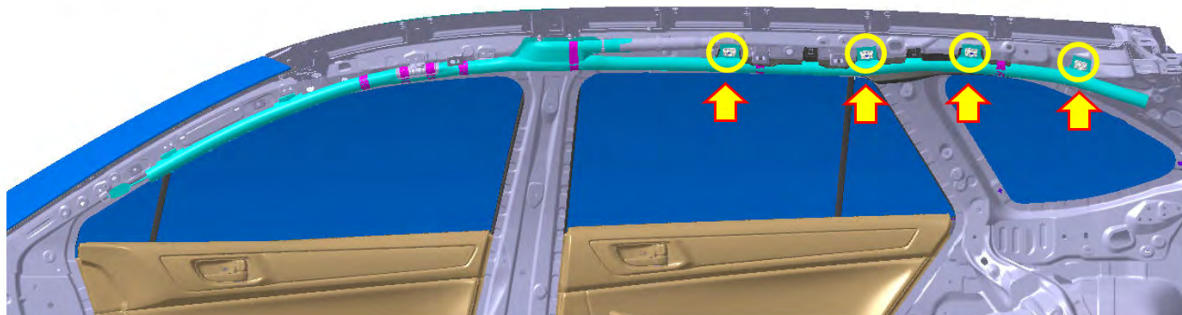
PART INFORMATION:

REMINDER: Always order the most up-to-date replacement parts based on the specific VIN being repaired.

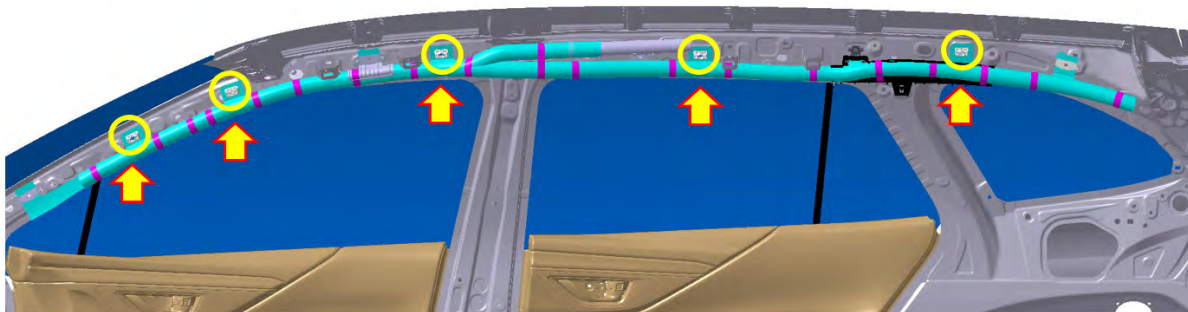
Part Name	Part Number
CLIP	98259AL000
SPACER-CLIP	98258AL010

CLIP LOCATIONS:

2015-19 MY Outback



2020-22 MY Outback

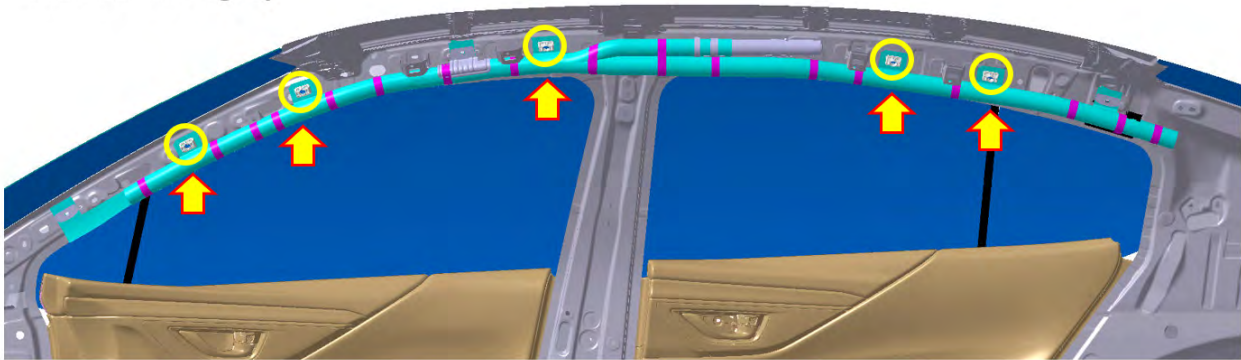


2015-19 MY Legacy

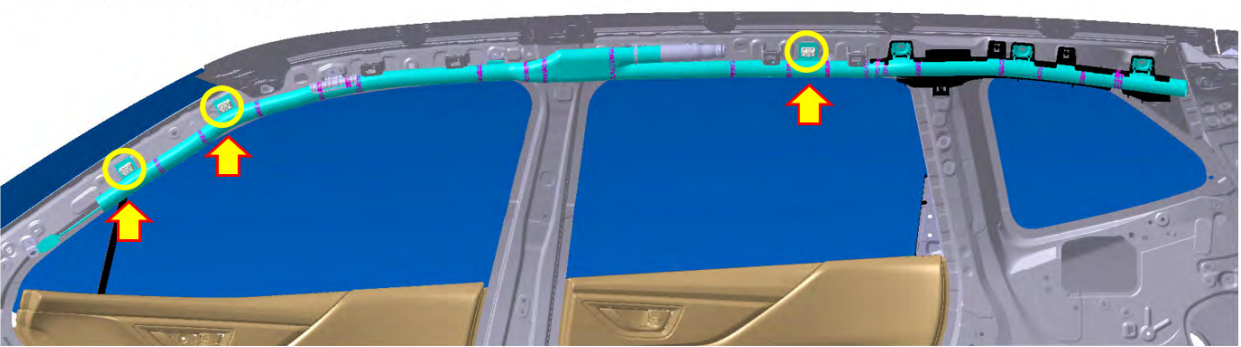


Continued...

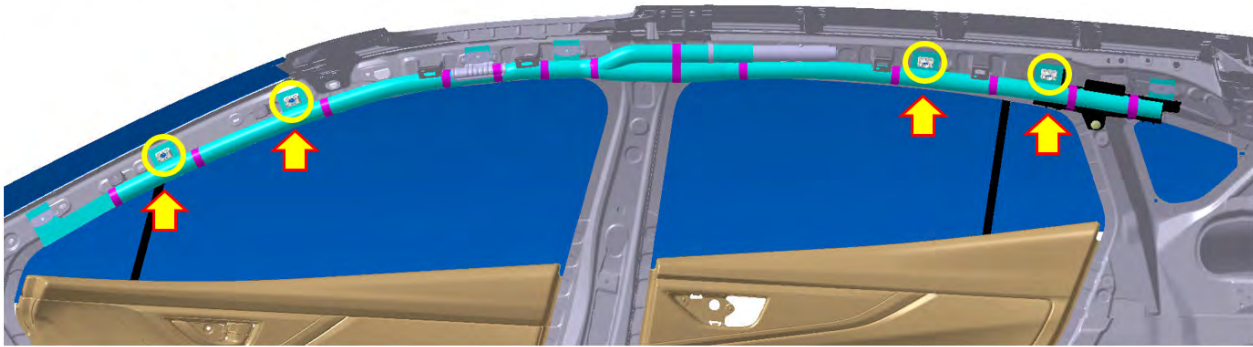
2020-22 MY Legacy



2019-22 MY Forester



2017-22 MY Impreza 5-Door

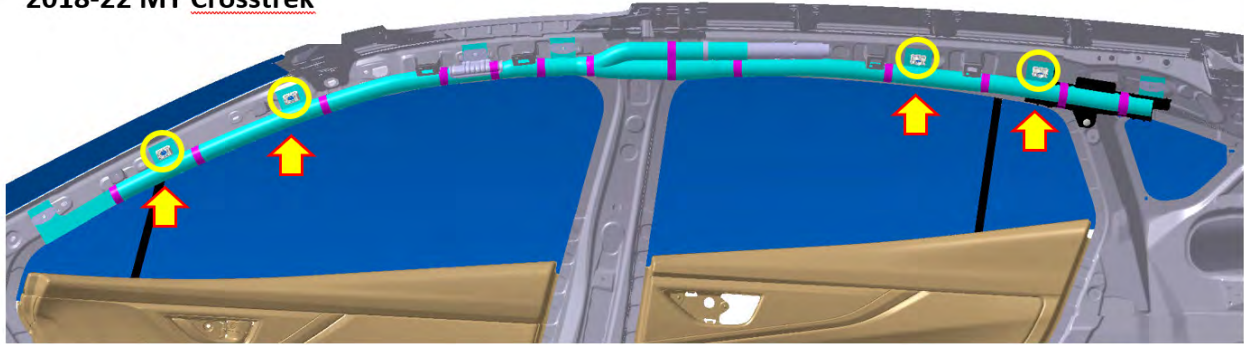


2017-22 MY Impreza 4-Door

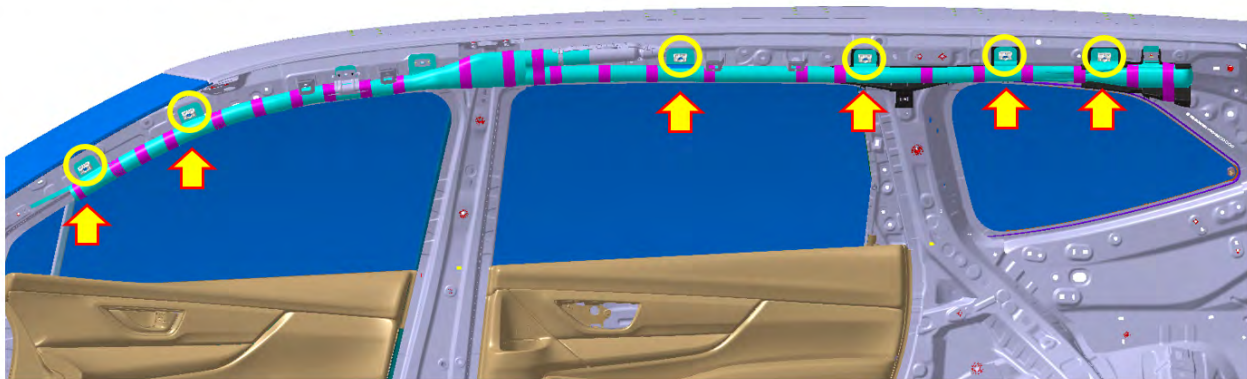


Continued...

2018-22 MY Crosstrek



2019-22 MY Ascent



WARRANTY / CLAIM INFORMATION:

New Labor Time Guide Information has been created and added to applicable models. Clip failures/ replacement will be covered under Basic New Car Warranty or an applicable Parts Warranty. Example Below.

Labor Description	Labor Operation	Labor Time	Fail Code
Curtain Airbag Module R&R One Side	B820-491	Variable	UYJ
Mounting & Spacer Clips R&R	C820-203	0.1	
Curtain Airbag Module R&R Both Sides	B820-492	Variable	
Mounting & Spacer Clips R&R	C820-204	0.2	

IMPORTANT REMINDERS:

- SOA strongly discourages the printing and/or local storage of service information as previously released information and electronic publications may be updated at any time.
- Always check for any open recalls or campaigns anytime a vehicle is in for servicing.
- Always refer to STIS for the latest service information before performing any repairs.