

- ATTENTION:**
- GENERAL MANAGER
  - PARTS MANAGER
  - CLAIMS PERSONNEL
  - SERVICE MANAGER

IMPORTANT - All Service Personnel Should Read and Initial in the boxes provided, right.


© 2014 Subaru of America, Inc. All rights reserved.



QUALITY DRIVEN® SERVICE

## SERVICE BULLETIN

**APPLICABILITY:** 2012-13MY Impreza 2.0L NA Models  
2014MY Forester Models

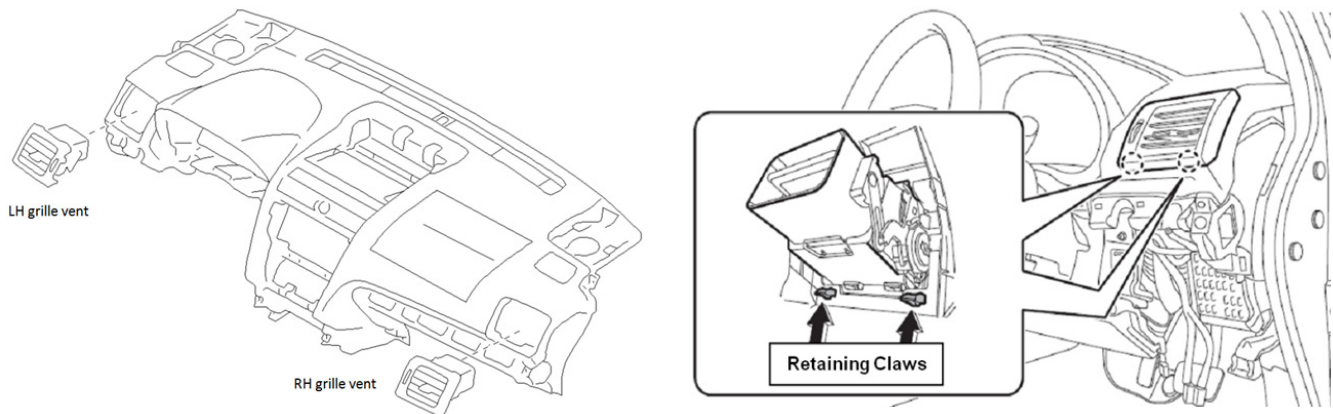
**NUMBER:** 12-174-14

**DATE:** 10/30/14

**SUBJECT:** Instrument Panel Side Vents Coming Loose

### INTRODUCTION

To address customer concerns of the instrument panel side dash grille vent assembly coming loose, the retaining claw portion has been redesigned to provide better retention.



### COUNTERMEASURE IN PRODUCTION

Vent assemblies with the new retaining claws were incorporated into production per the chart below:

MODEL	STARTING VIN
Impreza 2.0L and XV Crosstrek	Impreza - E*004587
	XV - E*210621
2014MY Forester	E*034301

*Continued...*

**CAUTION: VEHICLE SERVICING PERFORMED BY UNTRAINED PERSONS COULD RESULT IN SERIOUS INJURY TO THOSE PERSONS OR TO OTHERS.**

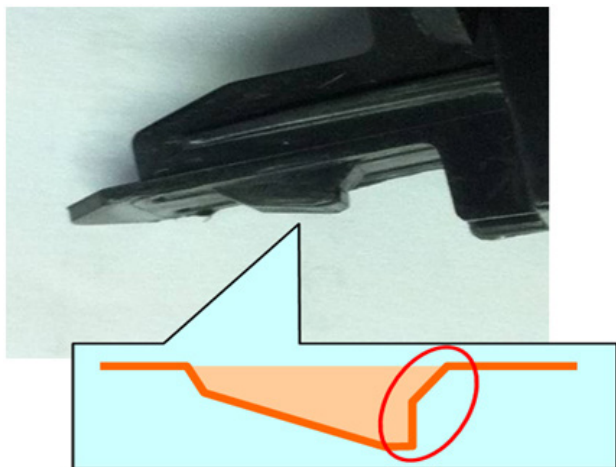
Subaru Service Bulletins are intended for use by professional technicians ONLY. They are written to inform those technicians of conditions that may occur in some vehicles, or to provide information that could assist in the proper servicing of the vehicle. Properly trained technicians have the equipment, tools, safety instructions, and know-how to do the job correctly and safely. If a condition is described, DO NOT assume that this Service Bulletin applies to your vehicle, or that your vehicle will have that condition.

**SUBARU OF AMERICA, INC. IS ISO 14001 COMPLIANT**

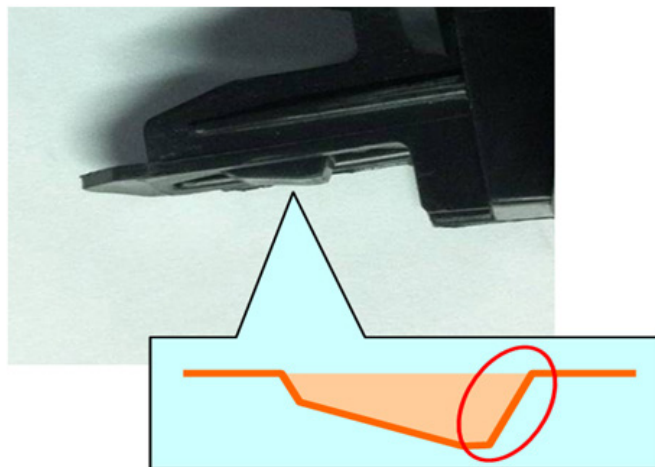
ISO 14001 is the international standard for excellence in Environmental Management Systems. Please recycle or dispose of automotive products in a manner that is friendly to our environment and in accordance with all local, state and federal laws and regulations.

## PART INFORMATION

PART NAME:	PART NUMBER	NOTES
Grille Vent AY SD RH	66110FJ020	These parts are interchangeable between Impreza, XV Crosstrek and Forester models.
Grille Vent AY SD LH	66110FJ030	



After Design Change



Before Design Change

## SERVICE PROCEDURE / INFORMATION

Should you encounter a complaint of the side grille vent(s) being loose, replace the loose vent with one which has the new design retaining claws. There has been no change to the current Service Manual procedure for grille vent replacement.

### REMINDERS:

- When removing the grille vent assembly, always use a plastic trim tool to release the retaining claws and protect the surrounding instrument panel surfaces.
- When installing the grill vent assembly, always confirm the new part is inserted fully into the corresponding air vent duct.

## WARRANTY / CLAIM INFORMATION

For vehicles within the Basic New Car Limited Warranty period, this repair may be claimed using the following information:

LABOR DESCRIPTION	LABOR OPERATION #	FAIL CODE	LABOR TIME
Side Vent Grille One or Both R&R	A726-201	YBD-48	0.2

**REMINDER:** SOA strongly discourages the printing and/or local storage of service information as previously released information and electronic publications may be updated at any time. **Always refer to STIS for the latest service information before performing any repairs.**