



TECHNICAL SERVICE BULLETIN

Timberline - Differential Fluid Venting From The Rear Axle

22-2406

28 March
2023

Model:

Ford 2021-2023 Explorer	Timberline
-----------------------------------	------------

Issue: Some 2021-2023 Explorer Timberline vehicles may exhibit differential fluid venting from the differential fluid vent. The customer may notice differential fluid pooling below the vehicle, or saturating the wheel well liner. This may be due to the differential vent tube not having enough positive incline. To correct the condition, follow the Service Procedure to replace the differential vent tube.

Action: Follow the Service Procedure to correct the condition on vehicles that meet the following criteria:

- 2021-2023 Explorer Timberline
- Differential fluid venting from the rear axle vent tube

Parts

Service Part Number	Quantity	Description
N1MZ-4A058-A	1	Rear Axle Vent Hose Assembly
XL-3	As Needed	Motorcraft® Friction Modifier Additive
XY-75W85-QL	As Needed	Motorcraft® SAE 75W-85 Premium Synthetic Hypoid Gear Lubricant

As Needed indicates the amount of the part may vary and/or is not a whole number. Parts can be billed out as non-whole numbers, including less than 1.

Warranty Status: Eligible under provisions of New Vehicle Limited Warranty (NVLW)/Service Part Warranty (SPW)/Special Service Part (SSP)/Extended Service Plan (ESP) coverage. Limits/policies/prior approvals are not altered by a TSB. NVLW/SPW/SSP/ESP coverage limits are determined by the identified causal part and verified using the OASIS part coverage tool.

Labor Times

Description	Operation No.	Time
2021-2023 Explorer: Replace The Differential Vent Tube Includes Time To Drain And Refill The Differential (Do Not Use With Any Other Labor Operations)	222406A	0.5 Hrs.

Repair/Claim Coding

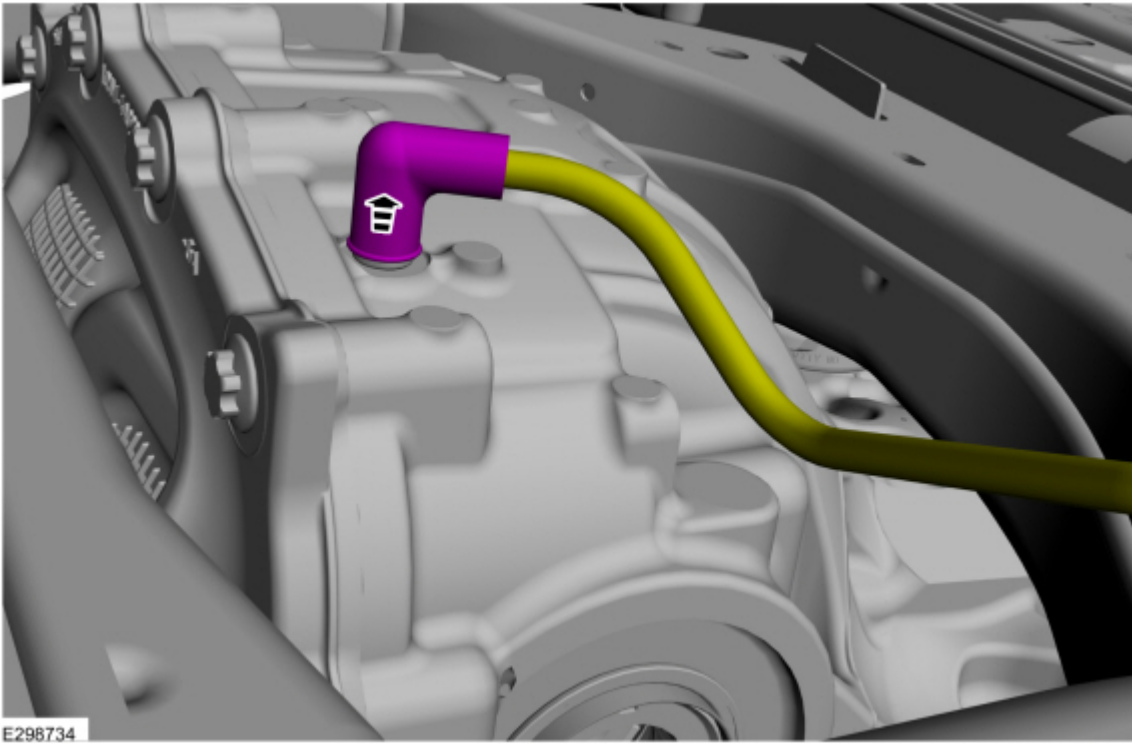
Causal Part:	4001
Condition Code:	55

Service Procedure

1. Remove and discard the differential vent tube. Refer to Workshop Manual (WSM), Section 205-02.
2. Install the new differential vent tube. Make sure that the vent tube is routed correctly and maintains a positive slope on the curvature near the differential. (Figures 1-3)

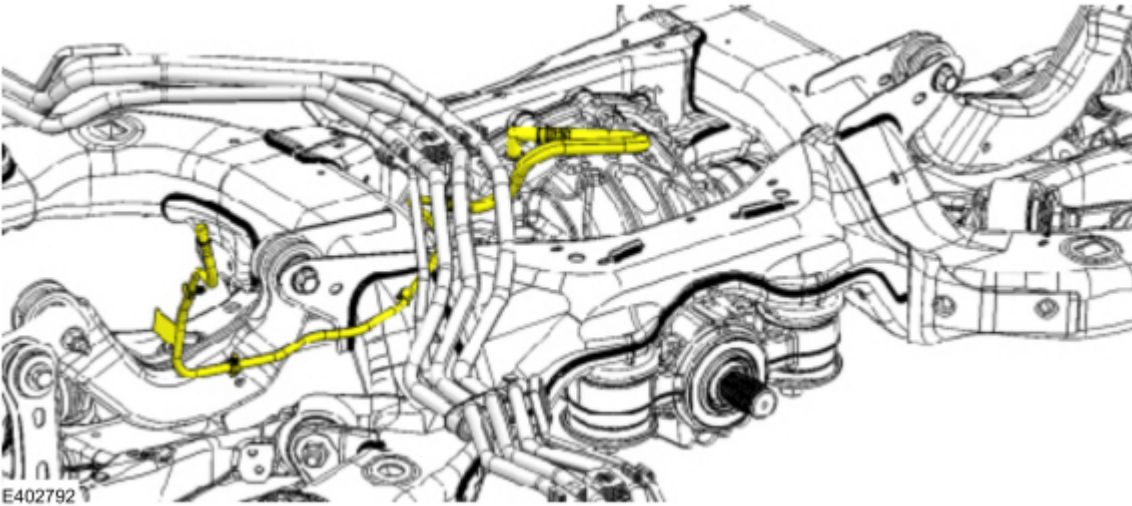
NOTE: It may be beneficial to use a borescope to view the differential vent tube mounting and make sure the vent tube is fully seated and is sloping upward.

Figure 1



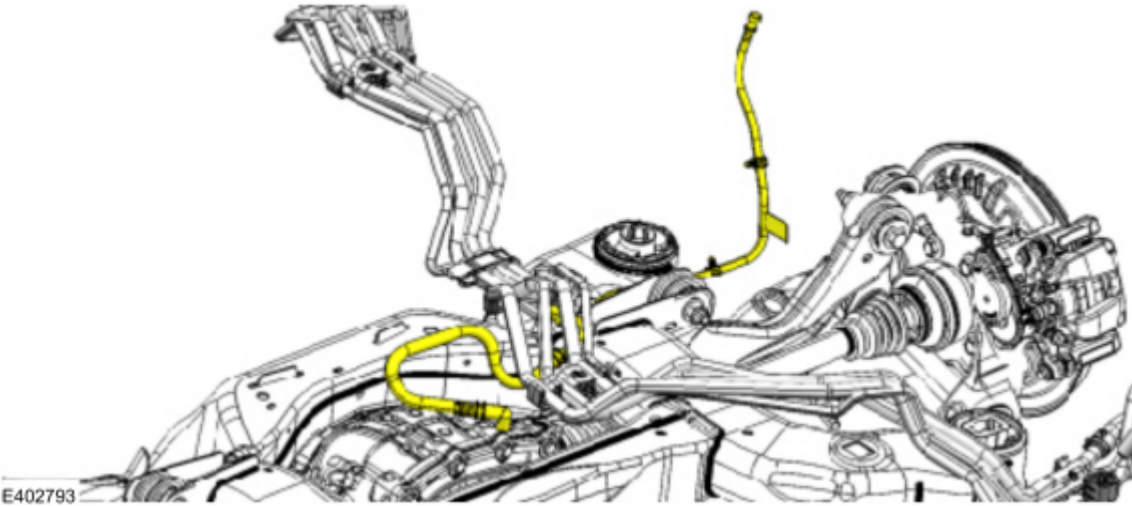
E298734

Figure 2



E402792

Figure 3



E402793

3. Drain the differential. Refer to WSM, Section 205-02.
4. Add 85-100 ml of Motorcraft® Friction Modifier Additive to the differential.
5. Refill the differential. Refer to WSM, Section 205-02.

© 2023 Ford Motor Company

All rights reserved.

NOTE: The information in Technical Service Bulletins is intended for use by trained, professional technicians with the knowledge, tools, and equipment to do the job properly and safely. It informs these technicians of conditions that may occur on some vehicles, or provides information that could assist in proper vehicle service. The procedures should not be performed by "do-it-yourselfers". Do not assume that a condition described affects your car or truck. Contact a Ford or Lincoln dealership to determine whether the Bulletin applies to your vehicle. Warranty Policy and Extended Service Plan documentation determine Warranty and/or Extended Service Plan coverage unless stated otherwise in the TSB article. The information in this Technical Service Bulletin (TSB) was current at the time of printing. Ford Motor Company reserves the right to supersede this information with updates. The most recent information is available through Ford Motor Company's on-line technical resources.