



Service Bulletin

Bulletin No.: 18-NA-176

Date: August, 2022

TECHNICAL

Subject: Drivers Side Object Sensing Alert Module Not Working Correctly and/or Incorrect Side Mirror Notification

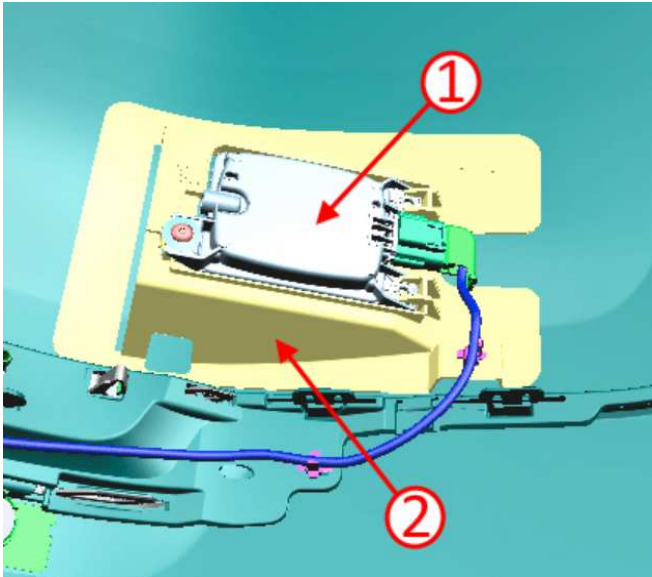
Brand:	Model:	Model Year:		VIN:		Engine:	Transmission:
		from	to	from	to		
Chevrolet	Equinox	2018	2023				
GMC	Terrain						
Holden	Equinox		2020				

Involved Region or Country	North America, Middle East, Israel, Palestine, Argentina (Mercosur), Brazil (Mercosur), Chile (West), Colombia (West), Ecuador (West), Paraguay (West), Peru (West), Uruguay (West), GM Korea Company, Thailand (ASEAN), Australia/New Zealand, Egypt, Other Africa
Additional Options (RPOs)	UKC
Condition	Some customers may comment when driving, the side mirror indicates there is a vehicle present when there is not.
Cause	Note: Radar reflections may be found to be worse on the driver side than the passenger side. This condition may be caused by unwanted radar reflection being detected and triggering the false alerts.
Correction	If the side blind zone has been found not working properly, apply a piece of aluminum butyl tape to the bottom of the drivers side object sensing alert module.

Important: Service agents must comply with all International, Federal, State, Provincial, and/or Local laws applicable to the activities it performs under this bulletin, including but not limited to handling, deploying, preparing, classifying, packaging, marking, labeling, and shipping dangerous goods. In the event of a conflict between the procedures set forth in this bulletin and the laws that apply to your dealership, you must follow those applicable laws.

Service Procedure

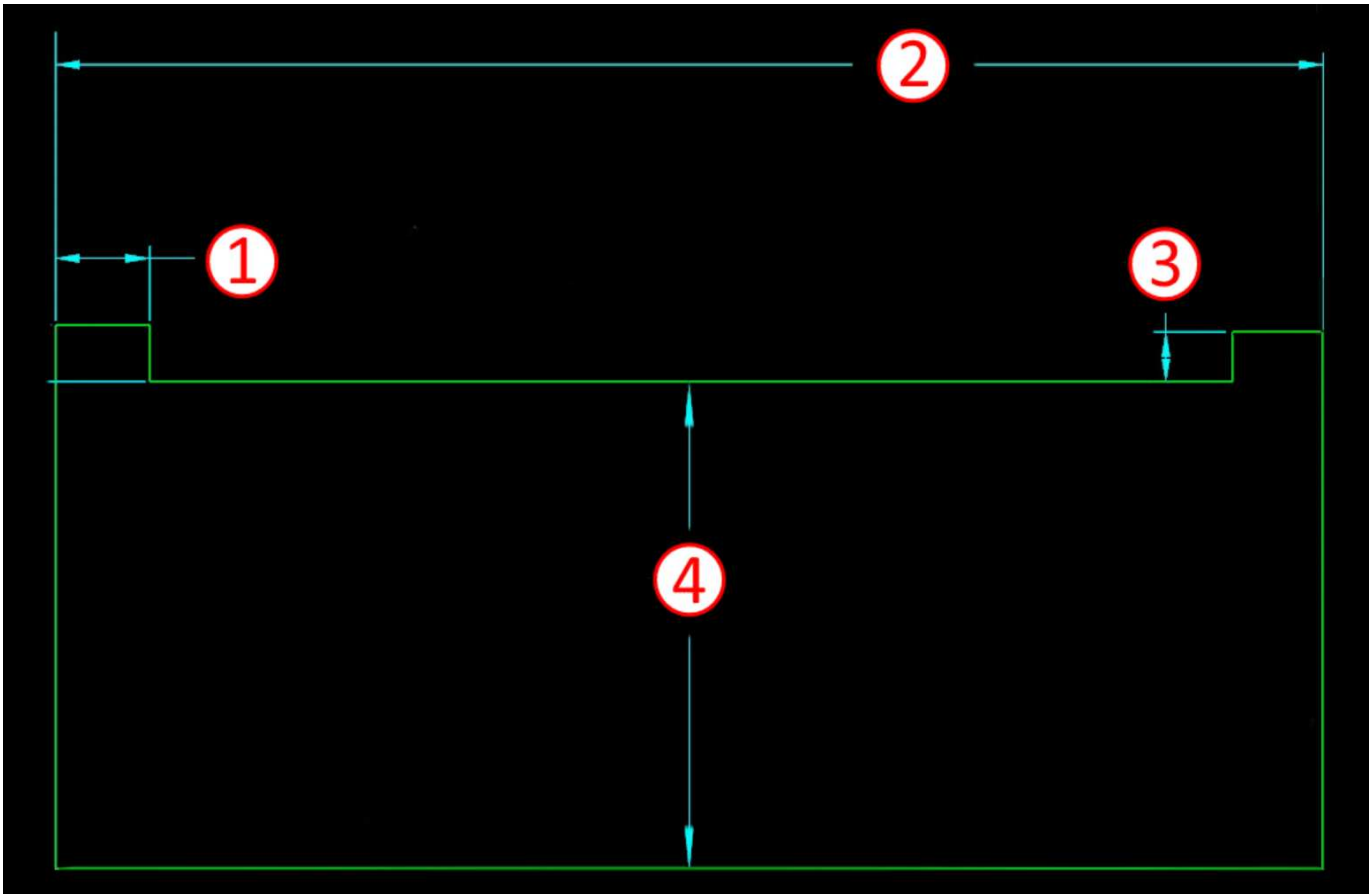
Terrain Bumper Fascia



5073908

1. Remove the rear bumper fascia. Refer to Rear Bumper Fascia Replacement in SI.
2. Using Kent Automotive Acrysol or equivalent, clean the area of the fascia (2) where the butyl tape will be applied under the module (1).

Note: Some modifications to the butyl tape maybe needed for proper fit.



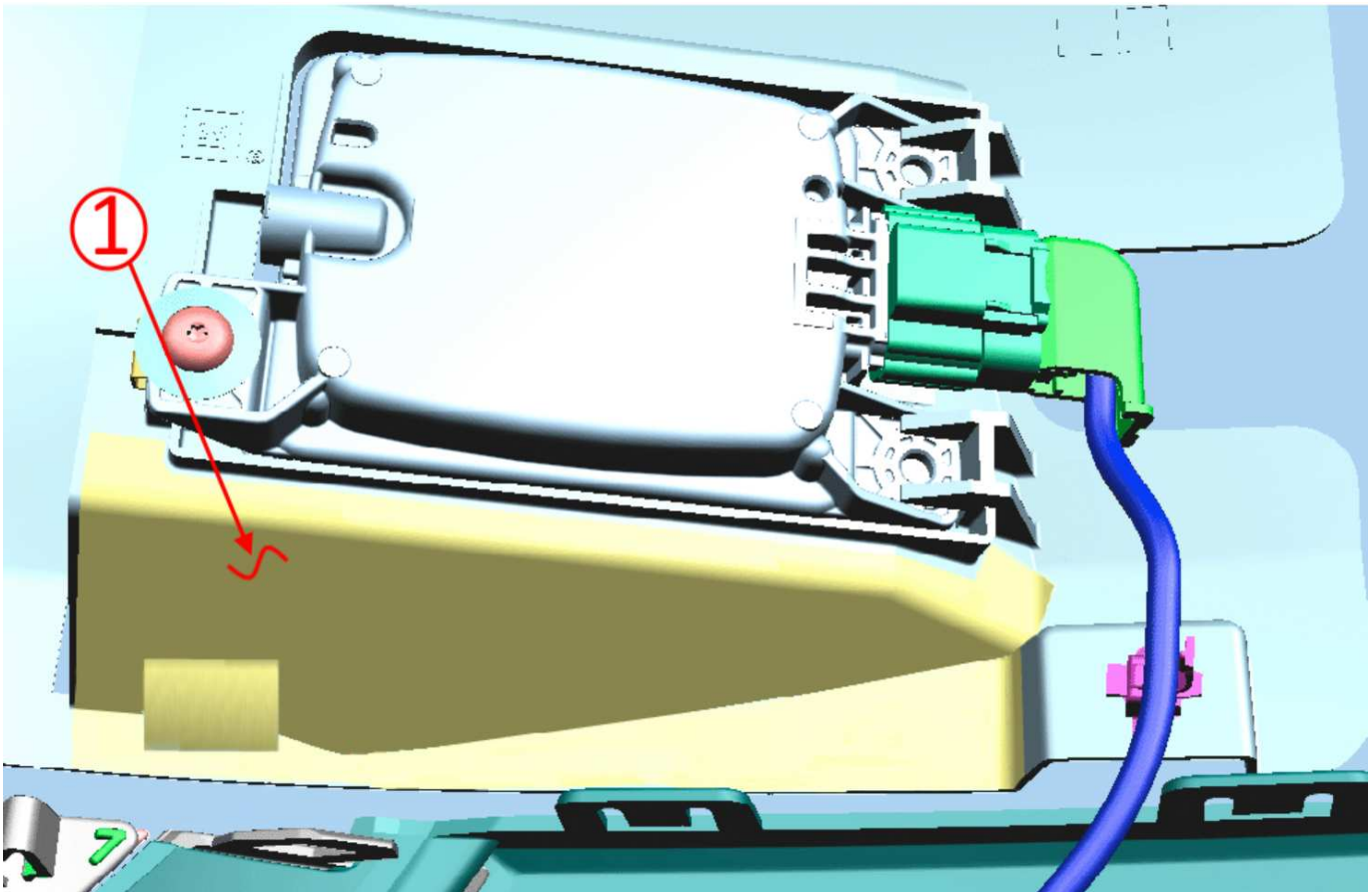
5076643

3. Using care, cut a section of butyl tape referencing the graphic above and the dimensions noted below:

- 1) 12mm (0.47 in)
- 2) 160mm (6.3 in)
- 3) 7mm (0.28 in)
- 4) 60mm (2.3 in)



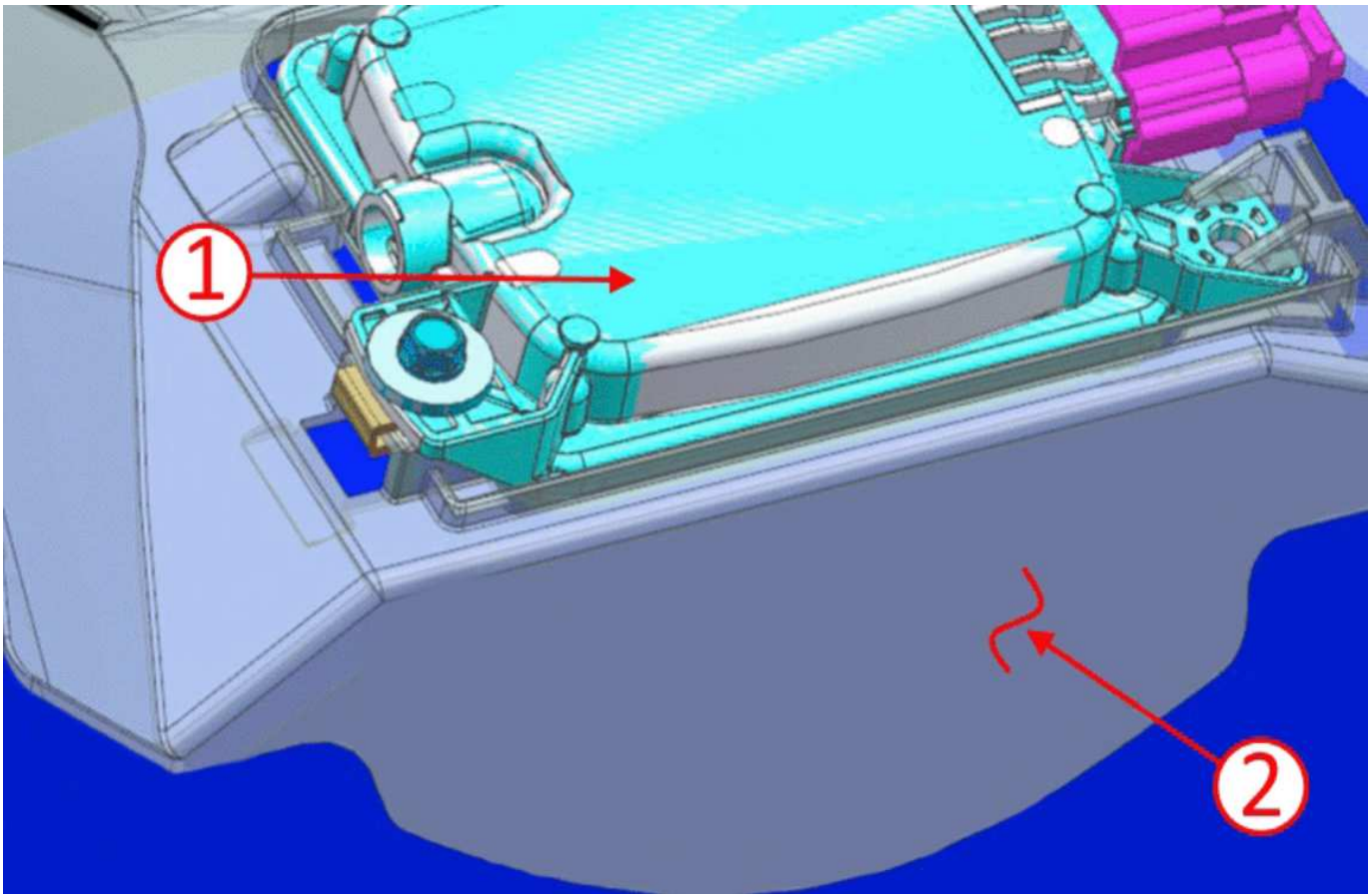
5084568



5077075

4. Pre-install the butyl tape (1) and check for alignment.
5. Using care, trim the butyl tape to fit.
6. Peel the backing off the aluminum butyl tape and apply to the bottom of the module making sure the area is completely covered as shown in the graphic above.
7. Install the rear bumper fascia.
8. Lower the vehicle.
 - If the side blind zone and/or side mirror indicators are performing properly, no further action is required.
 - If the side blind zone and/or side mirror indicators are not performing properly, refer to SI for further diagnostics.

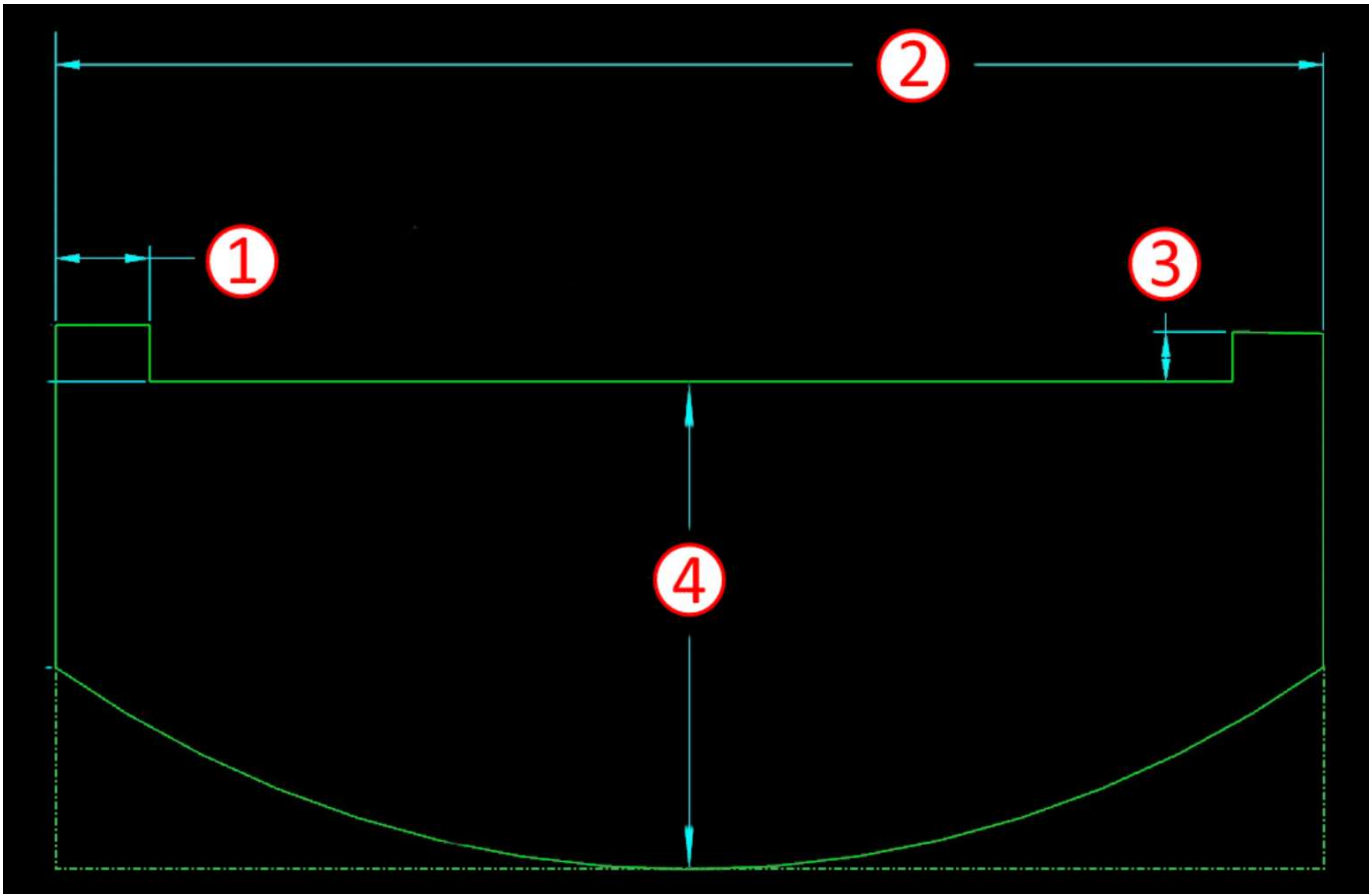
Equinox Bumper Fascia



5072424

1. Remove the rear bumper fascia. Refer to Rear Bumper Fascia Replacement in SI.
2. Using Kent Automotive Acrysol or equivalent, clean the area of the fascia (2) where the butyl tape will be applied under the module (1).

Note: Some modifications to the butyl tape maybe needed for proper fit.



5072394

4. Using care, cut a section of butyl tape referencing the graphic above and the dimensions noted below:

- 1) 12mm (0.47 in)
- 2) 160mm (6.3 in)
- 3) 7mm (0.28 in)
- 4) 60mm (2.3 in)



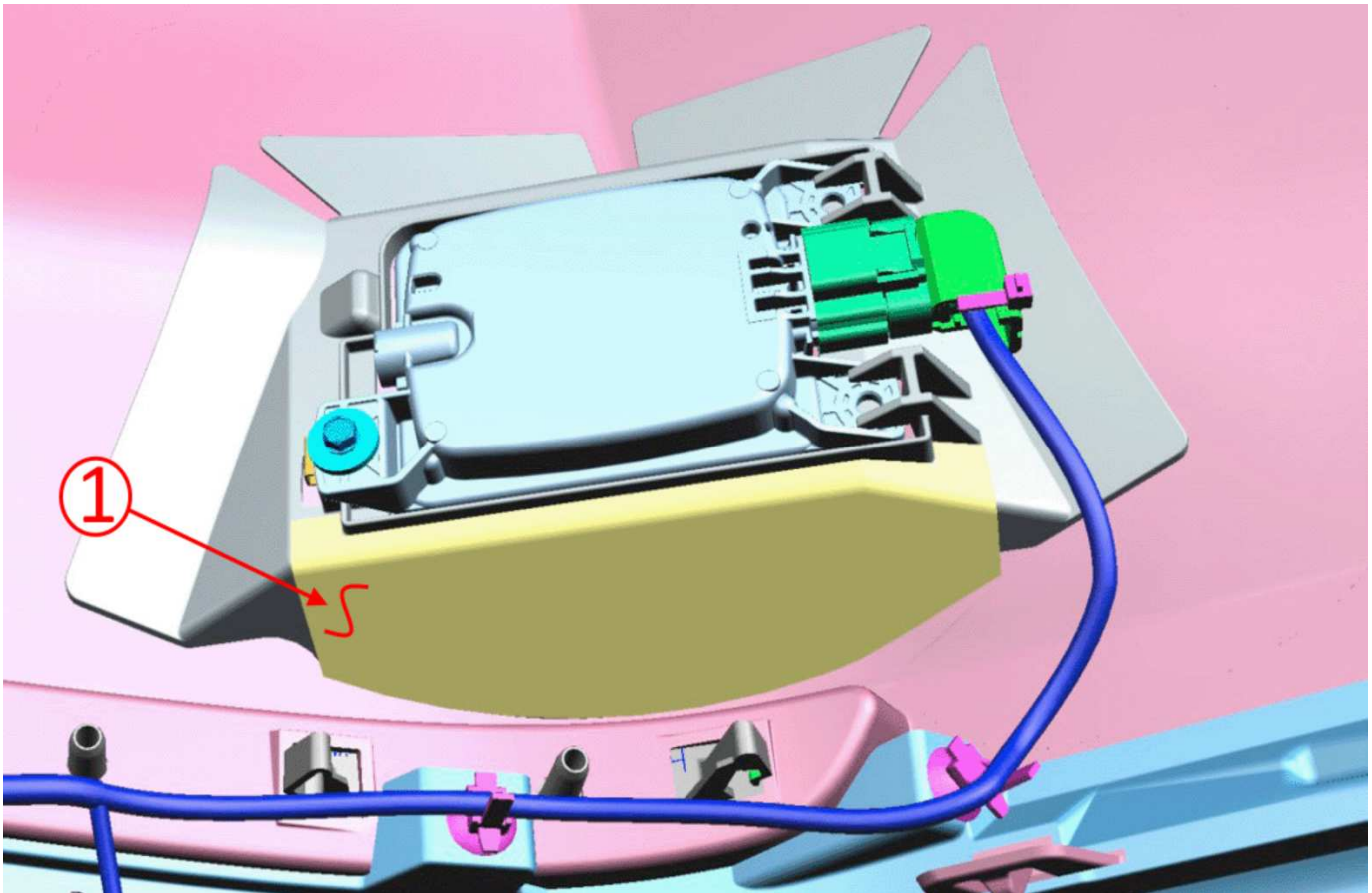
5084568

5. Pre-install the butyl tape and check for alignment.



6. Using care, trim the butyl tape to fit.

5072482



7. Peel the backing off the aluminum butyl tape (1) and apply to the bottom of the module making sure the area is completely covered as shown in the graphic above.
8. Install the rear bumper fascia.

9. Lower the vehicle.

- If the side blind zone and/or side mirror indicators are performing properly, no further action is required.
- If the side blind zone and/or side mirror indicators are not performing properly, refer to SI for further diagnostics.

5072429

Parts Information

Causal Part	Description	Part Number	Qty
N/A	DEADENER, RF PNL FRT (200X305)	22709067**	1
**There is enough material to do additional vehicles. Store the remaining material for future use.			

Warranty Information

For vehicles repaired under the Bumper-to-Bumper coverage (Canada Base Warranty coverage), use the following labor operation. Reference the Applicable Warranties section of Investigate Vehicle History (IVH) for coverage information.

Labor Operation	Description	Labor Time
6481928*	Apply Butyl Tape to Drivers Side Object Sensing Module	1.5 hr
*This is a unique Labor Operation for Bulletin use only.		

Version	4
Modified	Released May 31, 2018 Revised July 24, 2018 - Added 2019 to Model Year. Revised February 28, 2022 - Added 2020–2022 to Model Year And Holden Equinox to Model section. Revised August 15, 2022 - Added 2023 to Model Year for Equinox and Terrain.

