

**ATTENTION:**  
 GENERAL MANAGER   
 PARTS MANAGER   
 CLAIMS PERSONNEL   
 SERVICE MANAGER

IMPORTANT - All Service Personnel Should Read and Initial in the boxes provided, right.


© 2022 Subaru of America, Inc. All rights reserved.



QUALITY DRIVEN® SERVICE

**SERVICE BULLETIN**

**APPLICABILITY:** 2013-22MY BRZ

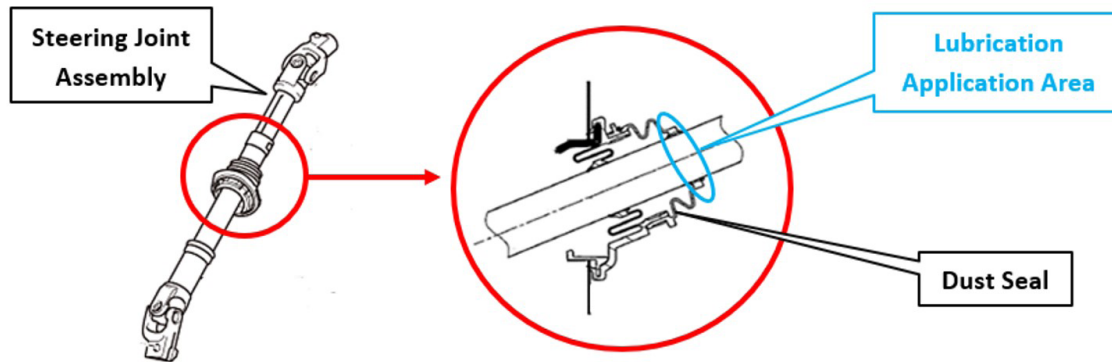
**NUMBER:** 04-28-22

**SUBJECT:** Squeaking Sound Occurs When Turning Steering Wheel

**DATE:** 05/03/22

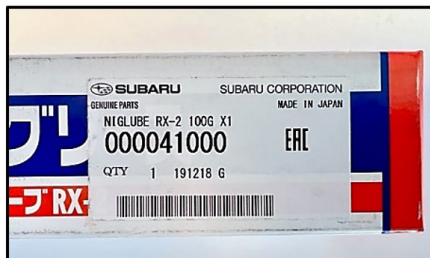
**INTRODUCTION:**

This bulletin announces the repair procedure to address rare cases of a squeaking-type sound occurring when turning the steering wheel. This sound may be caused by a lack of lubrication where the dust seal contacts the steering joint assembly. If this situation is duplicated, follow the lubrication procedure outlined below.



**PART INFORMATION:**

Part Description	Part Number
Niglube RX-2	000041000



**CAUTION: VEHICLE SERVICING PERFORMED BY UNTRAINED PERSONS COULD RESULT IN SERIOUS INJURY TO THOSE PERSONS OR TO OTHERS.**

Subaru Service Bulletins are intended for use by professional technicians ONLY. They are written to inform those technicians of conditions that may occur in some vehicles, or to provide information that could assist in the proper servicing of the vehicle. Properly trained technicians have the equipment, tools, safety instructions, and know-how to do the job correctly and safely. If a condition is described, DO NOT assume that this Service Bulletin applies to your vehicle, or that your vehicle will have that condition.

**Subaru of America, Inc. is ISO 14001 Compliant**

ISO 14001 is the international standard for excellence in Environmental Management Systems. Please recycle or dispose of automotive products in a manner that is friendly to our environment and in accordance with all local, state and federal laws and regulations.

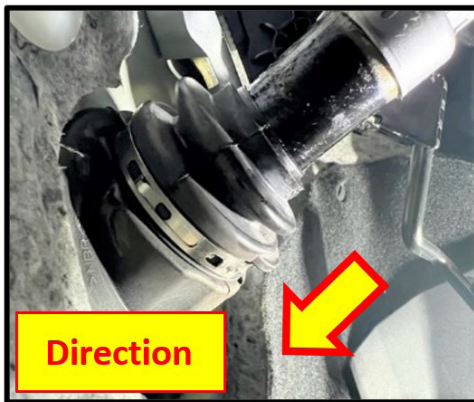
*Continued...*

**SERVICE PROCEDURE / INFORMATION:**

**STEP 1:** Locate the dust seal on the steering joint assembly. Pull the dust seal in an upward direction toward the steering wheel.

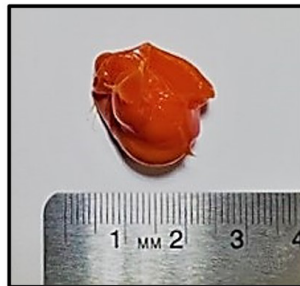


**STEP 2:** Push the dust seal in a downward direction away from the steering wheel. This will allow the old grease to be exposed.



**STEP 3:** Using a lint free cloth, remove any old grease from the steering joint shaft and dust seal.

**STEP 4:** Once the old grease is removed and the shaft surface is clean, thoroughly apply 1-2 grams of grease around the shaft.



**Lubrication  
Application Area**

**STEP 5:** Pull the dust seal in an upward direction toward the steering wheel.

*Continued...*

**STEP 6:** Push the dust seal in a downward direction away from the steering wheel. Ensure the grease is evenly spread around the shaft.

**STEP 7:** Turn the steering wheel left to right to further spread the grease and confirm any squeaking-type sound is not present.

**WARRANTY / CLAIM INFORMATION:**

For vehicles within the Basic New Car Limited Warranty period or covered by an active Subaru Added Security Classic or Gold plan, this repair may be submitted using the following claim information:

Labor Description	Labor Operation #	Labor Time	Fail Code
13-22 BRZ INTERMEDIATE SHAFT REPAIR	A658-303	0.3	RDO-48

**NOTE:** Up to \$1.00 may be charged out in sublet to cover the cost of the grease.

**IMPORTANT REMINDERS:**

- SOA strongly discourages the printing and/or local storage of service information as previously released information and electronic publications may be updated at any time.
- Always check for any open recalls or campaigns anytime a vehicle is in for servicing.
- Always refer to STIS for the latest service information before performing any repairs.