



Service Bulletin

TECHNICAL

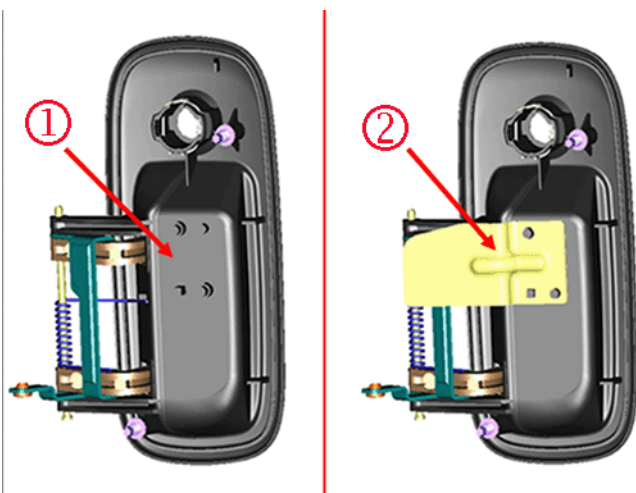
Subject: Side Sliding Door Handle Broken or Inability to Lock Door with Key from Outside Vehicle

Attention: This Bulletin also applies to any of the models that may be Export vehicles.

Brand:	Model:	Model Year:		VIN:		Engine:	Transmission:
		from	to	from	to		
Chevrolet	Express	2016	2016	1GTW7AFF7G 1116596	1GCZG9FG2G 1156038	All	All
GMC	Savana	2016	2016			All	All

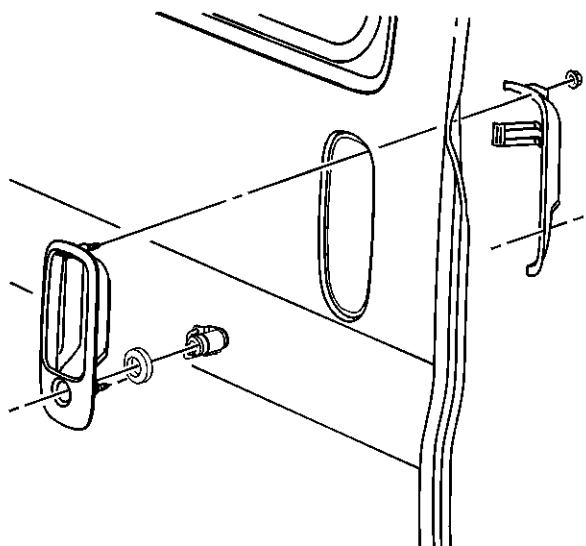
Condition	Some customers may comment that the side sliding door handle is broken or they are unable to lock the door using the key from outside of the vehicle.
Cause	Affected door handles may fail due to an unintended durability issue and/or may not have proper clearance to an anti-theft shield that was added to the design for the 2016 model year. This improper clearance may prevent the normal function of turning the key cylinder from outside the vehicle.
Additional Options	DOOR SIDE – REAR, SLIDING (RPO YA2)

Correction



A new handle service part has been released with the elimination of the anti-theft bracket that was on the original part design (1). DO NOT repair the vehicle with a handle containing the anti-theft bracket (2).

Service Procedure:



Replace the side sliding door outside handle. Refer to Sliding Door Outside Handle Replacement in SI.

Parts Information

Description	Part Number	Quantity:
HANDLE ASM-RR S/D O/S	84054471	1

Warranty Information

For vehicles repaired under warranty, use:

Labor Operation	Description	Labor Time
2061370	Rear Side Door Outside Handle Replacement	Use Published Labor Operation Time

Version	1
Modified	

GM bulletins are intended for use by professional technicians, NOT a "do-it-yourselfer". They are written to inform these technicians of conditions that may occur on some vehicles, or to provide information that could assist in the proper service of a vehicle. Properly trained technicians have the equipment, tools, safety instructions, and know-how to do a job properly and safely. If a condition is described, DO NOT assume that the bulletin applies to your vehicle, or that your vehicle will have that condition. See your GM dealer for information on whether your vehicle may benefit from the information.



WE SUPPORT VOLUNTARY TECHNICIAN CERTIFICATION