



# WARRANTY BULLETIN

## WARRANTY CAMPAIGN

**CAUTION:** All involved customers must be notified, all involved units must be corrected as per instruction herein.

Campaign no.: 2019-0010

February 21, 2019

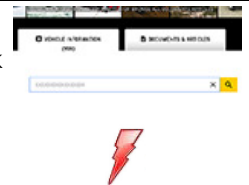
Subject: **Speed Sensor Wiring Harness- Corrugated Tube Installation - Unregistered Vehicles**

No. **2019-6**

MODEL YEAR	MODEL	APPLICABILITY	ADMISSIBLE UNITS
2019	Ryker	Unregistered vehicles only	Go to BOSSWeb/Warranty/Campaign Monitoring to know the quantity of units in your inventory impacted by this campaign

### IMPORTANT

- When a vehicle comes in for service, always type the VIN in Knowledge Center to check for pending campaigns or alerts.
- When performing any work on a vehicle, it is good practice to connect it to BUDS2 to ensure that all needed updates are done.



## PROBLEM

The front speed sensor wiring harness could get pinched during the front fender installation.

## SOLUTION

Install corrugated tube on the speed sensor wiring.

## PARTS REQUIRED

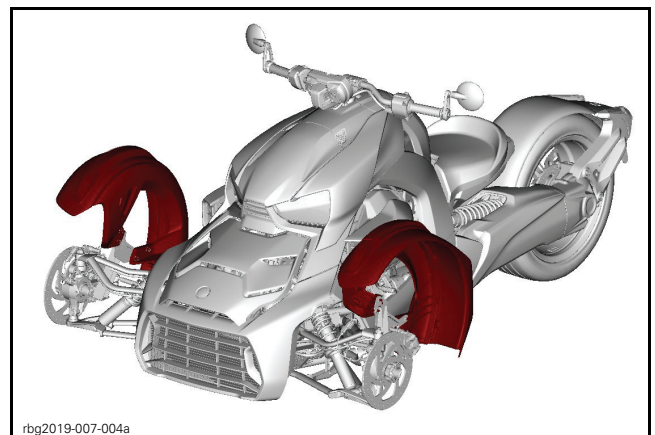
Order parts through regular channel.

DESCRIPTION	PART NUMBER	QTY
Corrugated tube	415079900	*70 mm (2.75 in) per side
Electrical tape	Shop supply	
* When ordering, 1 quantity = 1 m (3.3 ft)		

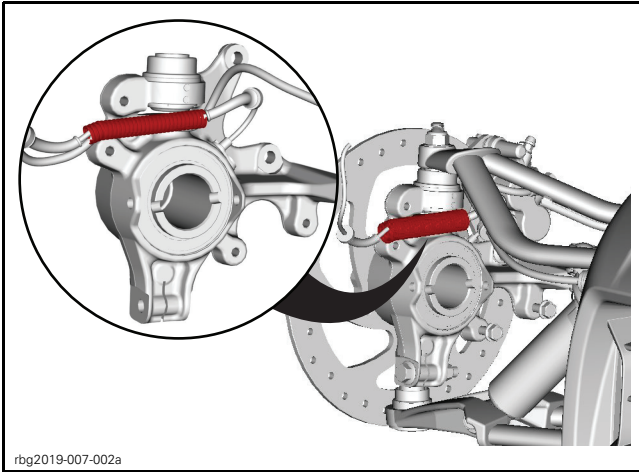
## CORRECTIVE ACTION

### Repair

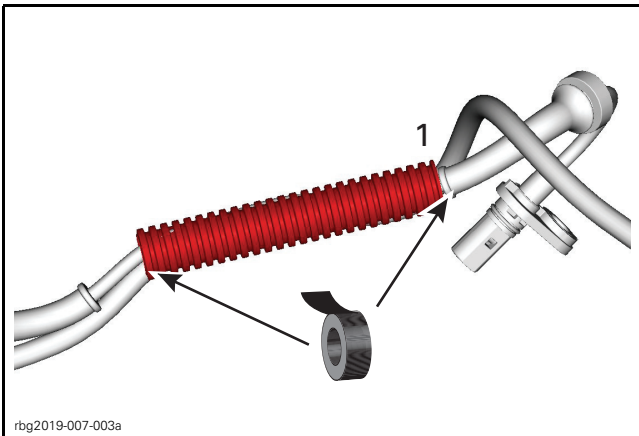
This operation is most effective when performing the *PRE-DELIVERY INSPECTION* (PDI) before installing the wheels.



Install the corrugated tube on the speed sensor and the flasher wiring harness.



Secure both ends with electric tape.



1. Ensure the corrugated tube touches the speed sensor protective boot.

## WARRANTY

Submit a warranty claim using the following information.

**NOTE:** A fixed amount was added in the campaign to cover the cost of the shop supply required to perform the repair.

For claiming procedure, refer to the *DEALER/DISTRIBUTOR WARRANTY GUIDE*.

Product Line	Ryker
Unit Model Year	2019
Campaign/Bulletin/Description	10 / 2019-6 / Speed sensor wiring
<b>*Action</b>	
<b>Inspect</b>	<b>Repair</b>
<input type="checkbox"/>	<input checked="" type="checkbox"/>
Total Labor time paid	0.3 hour
Expiration date	April 30, 2022