



Service Bulletin

Bulletin No.: 16-NA-102

Date: January, 2021

TECHNICAL

Subject: Duramax Diesel Hard Start, No Start, DTCs P0087, P0088, P0191, P128E or Injection Pump Replacement

Brand:	Model:	Model Year:		VIN:		Engine:	Transmission:
		from	to	from	to		
Chevrolet	Express	2010	2016			LML, LGH	
	Silverado 2500/3500						
GMC	Savana						
	Sierra 2500/3500						

Involved Region or Country	North America, Israel
Condition	<p>Some customers may comment on one or more of the following conditions:</p> <ul style="list-style-type: none"> • Hard start • No start <p>Some technicians may find one or more of the following DTCs set in the Engine Control Module (ECM):</p> <ul style="list-style-type: none"> • P0087: Fuel Rail Low Pressure • P0088: Fuel Rail High Pressure • P0191: Fuel Rail Pressure Sensor Performance • P128E: Fuel Rail Pressure Performance <p>⇒ Normal SI Diagnostics may be inconclusive or lead to Fuel Injection Pump replacement.</p>

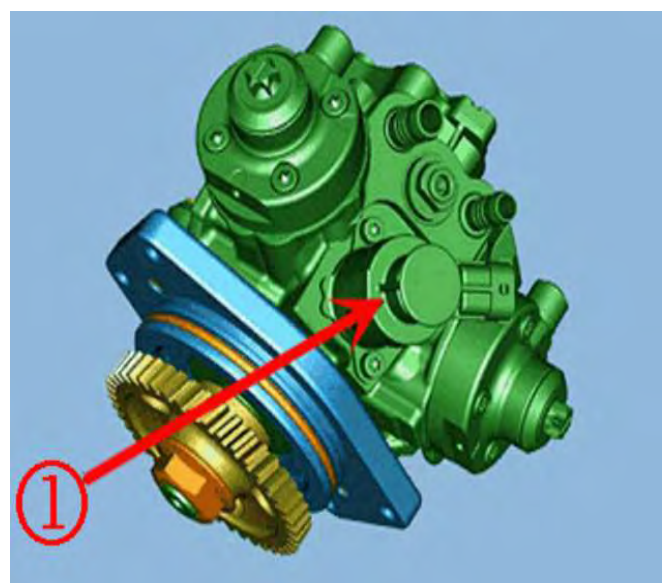
Service Procedure

Fuel Injection Pump Diagnosis Procedure

Complete the current SI diagnostics for any symptoms or DTCs found.

If the current SI diagnostic has led to Fuel Injection Pump replacement, replace the fuel injection pump. Refer to *Fuel Injection Pump Replacement* in SI. Once the fuel injection pump is removed, remove the Fuel Pressure Regulator 1 and inspect for debris that can be picked up with a magnet.

Note: Clean the area around Pressure Regulator 1 before removal. It is possible that road debris could find its way into the regulator port when it is removed. A small piece of dirt on Pressure Regulator 1 does not qualify for the fuel system repairs recommended in this Bulletin.

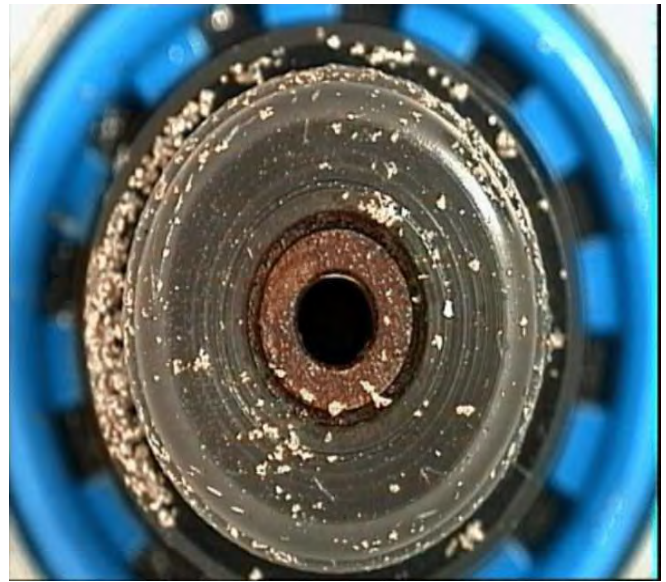


2698603

Remove the Fuel Injection Pump / Pressure Regulator 1 for inspection.



3541158



3541165

If Pressure Regulator 1 has no debris that can be picked up with a magnet on the screen, continue with Fuel Injection Pump replacement.

If there are only a few pieces of debris that can be picked up with a magnet found on Pressure Regulator 1, remove the Fuel Rail Pressure Sensor and/or Fuel Pressure Regulator 2 (Pressure Relief Valve) for inspection.



3541164



3541168



3541159

If additional debris that can NOT be picked up with a magnet (Contamination) is found on the Fuel Pressure Regulator 1, Fuel Rail Pressure Sensor, and/or Fuel Pressure Regulator 2 (Pressure Relief Valve), refer to PIP5151 and Contaminants-in-Fuel Diagnosis. DO NOT perform the repair listed in this bulletin.

Important: If debris that can be picked up with a magnet as described above is found, complete the repairs listed below:

Service Procedure For All Vans

Cleaning and Flushing Procedure

Important: Ensure proper torquing of the fuel injector line. An under-torqued fuel injector line will not seal properly and an over-torqued fuel injector line may damage the fuel injector fitting. An improperly sealed or damaged fuel injector line or fuel injector fitting will cause a fuel leak or result in a No-Start.

1. Replace all the parts listed in the Parts Information below.
2. Clean and flush all fuel chassis lines, filter pipes, and other engine mounted fuel system pipes that are not being replaced.
3. The fuel filter housing must be cleaned with a new fuel filter installed.
4. The fuel tank and fuel sender must be cleaned and flushed.

Danger: Verify that there are no fuel leaks in the fuel system. Failure to identify any leaks could result in no start, stall, vehicle damage, or bodily injury."

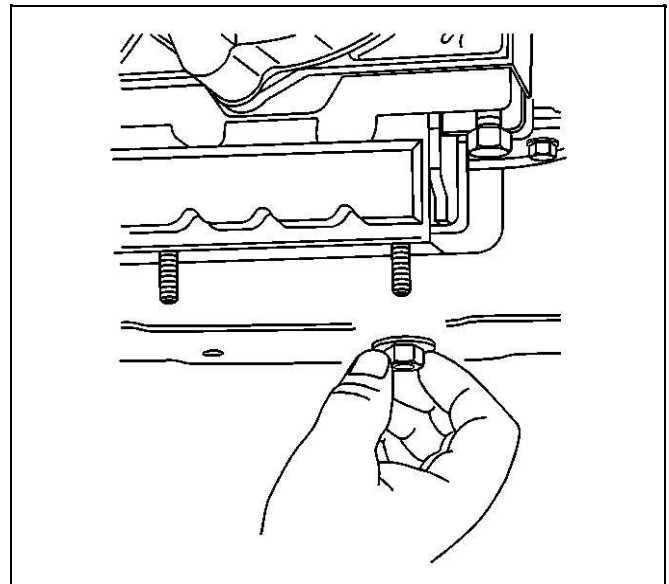
Note: The Indirect Fuel Injector (Hydrocarbon Injector) and its fuel lines must be purged of air any time it is removed or replaced. Failure to do so may damage the injector. Perform the Diesel Particulate Filter (DPF) Regeneration Enable any time the indirect injector or its fuel lines are opened/removed or replaced. This will force regeneration as soon as conditions allow and will purge any air from the system. Refer to *Diesel Particulate Filter (DPF) Regeneration Enable* in SI.

Service Procedure For All P/U Trucks

Important: Ensure proper torquing of the fuel injector line. An under-torqued fuel injector line will not seal properly and an over-torqued fuel injector line may damage the fuel injector fitting. An improperly sealed or damaged fuel injector line or fuel injector fitting will cause a fuel leak or result in a No-Start.

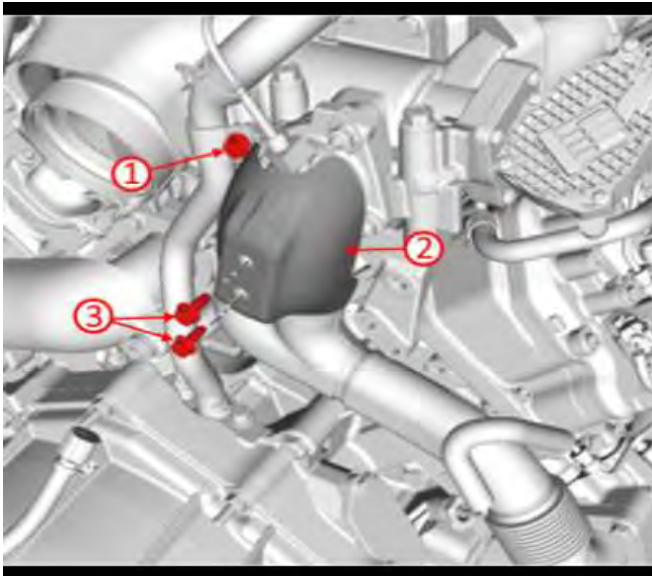
Removal Procedure

Warning: The ignition must be in the off position and all electrical loads must be turned off before servicing any electrical component. Failure to do so may result in personal injury or damage to the vehicle.



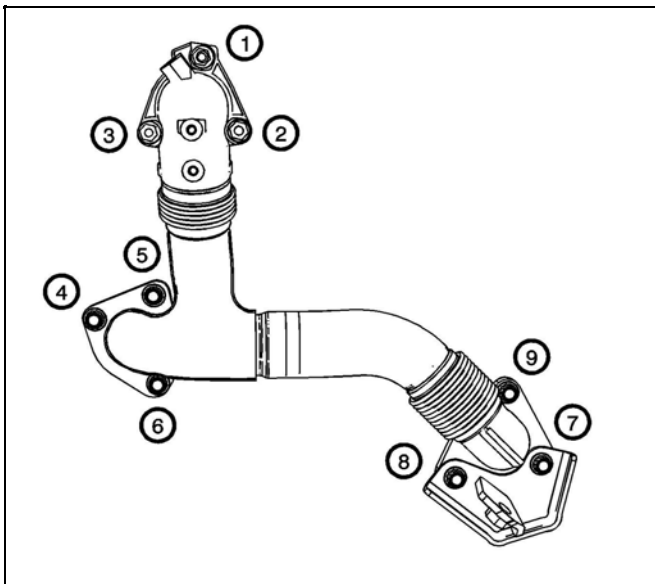
647997

1. Raise and support the vehicle.
2. Remove the nuts that secure the transmission mount to the transmission support.
3. Using a suitable jack, raise the rear of the transmission and place a block of wood between the transmission mount and the transmission support.
4. Remove the jack.
5. Lower the vehicle.



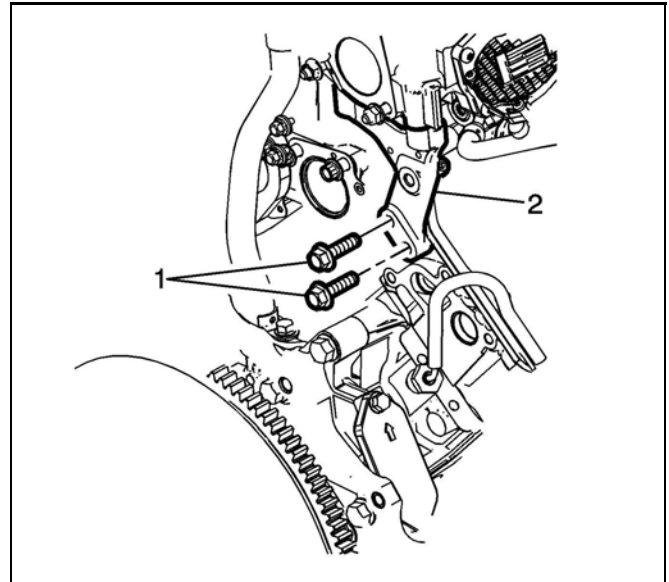
5527220

- 6. Remove the right exhaust manifold outlet pipe heat shield bolts (3) and heat shield (2).
- 7. Remove the upper bolt (1) that secures the exhaust gas recirculation coolant feed hose/pipe to the EGR cooler bypass valve.



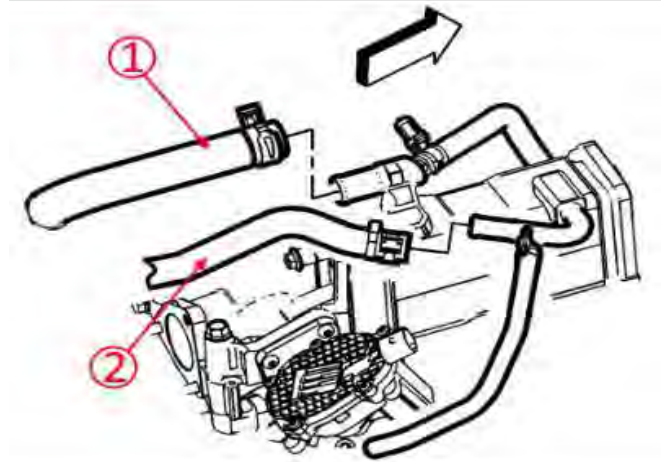
2409415

- 8. Remove the 2 exhaust manifold outlet pipe nuts (1, 2) and the exhaust manifold outlet pipe bolt (3). Exhaust Manifold Outlet Pipe Replacement - Right Side.
- 9. Raise the vehicle.



2495773

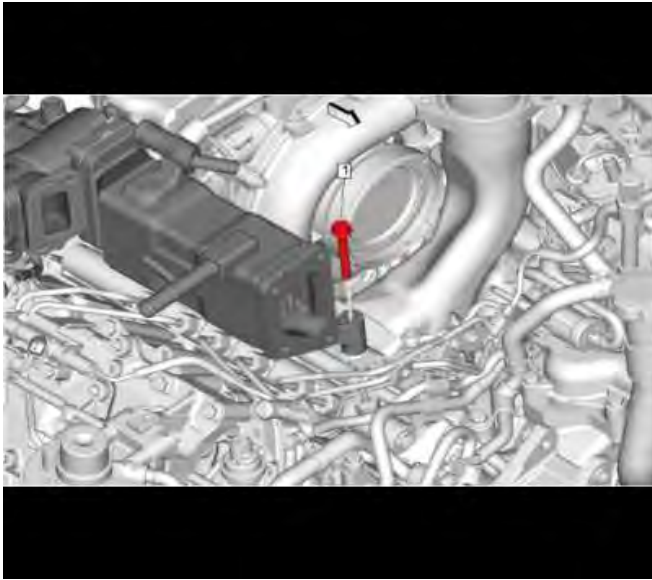
- 10. Loosen the 2 bolts (1) at the rear EGR bracket (2).
- 11. Lower the vehicle.



5527489

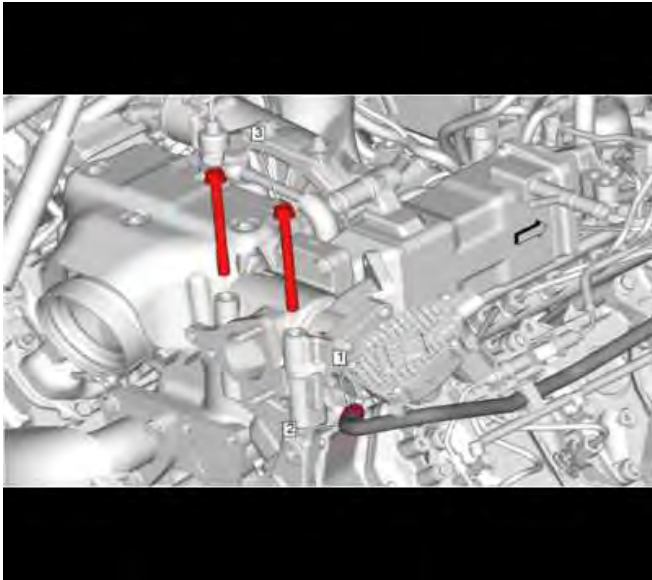
- 12. Separate the Cooling Feed Hose (1) from the EGR Bypass valve cooler.
- 13. Separate the Heater Inlet Hose (2) from the EGR cooler.





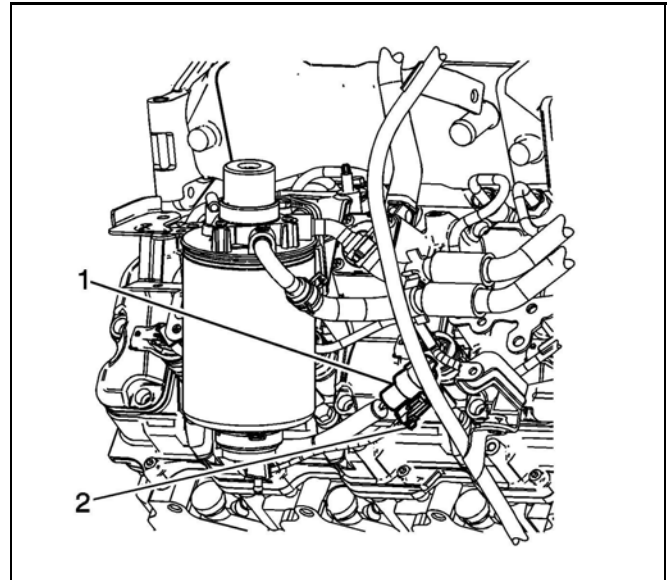
5542942

14. Remove the EGR cooler bracket bolt (1).



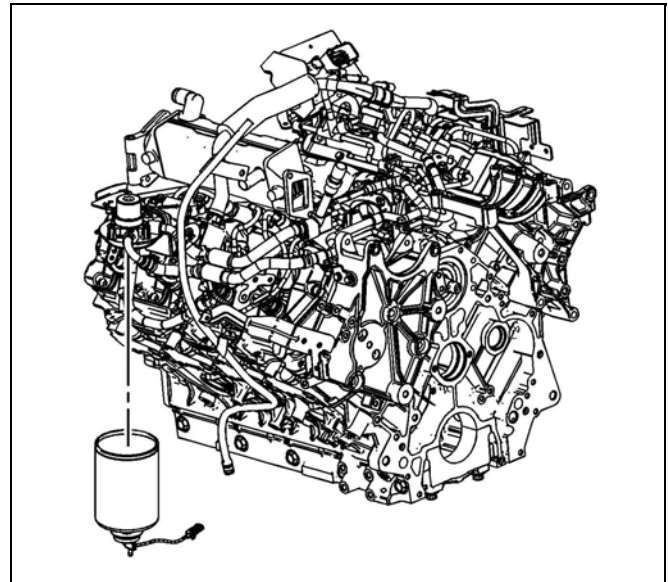
5542966

15. Remove the 2 rear EGR mounting bolts (3).
 16. Disconnect the EGR bypass valve electrical connector.
 17. Disengage the hose clamp (1).
 18. Separate the EGR cooler water bypass outlet hose (2) from the EGR cooler bypass valve.
 19. Remove the rear EGR cooler and discard the gasket.



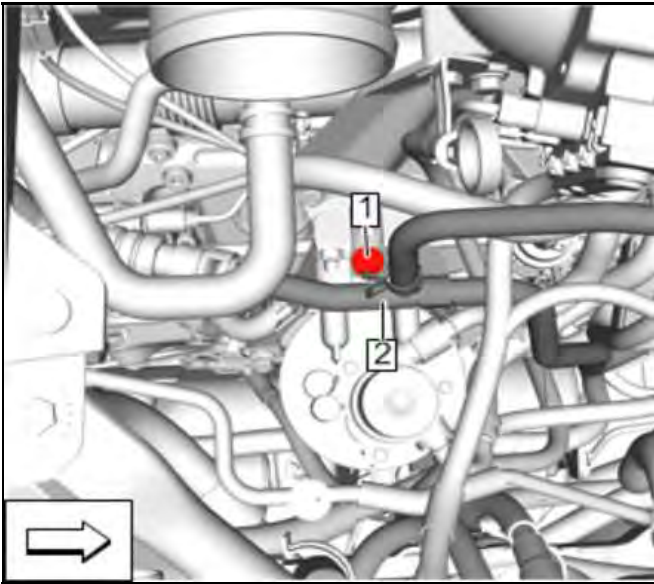
1871640

20. Disconnect the water in fuel sensor wiring pigtail (2) from the engine wiring harness electrical connector.



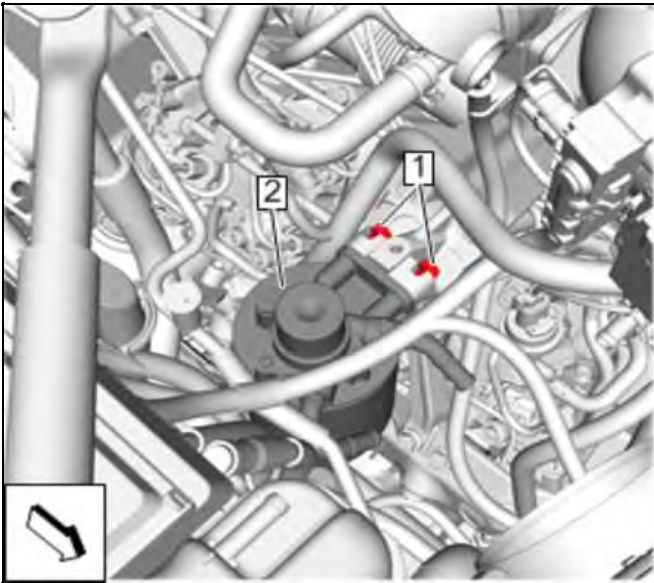
1871642

21. Remove the fuel filter from the fuel filter adaptor.
Caution: Keep the fuel filter covered with a clean cloth while passing it through the wheel well. Failure to do so may introduce debris to the fuel system and cause engine damage.
 22. Remove the water-in-fuel sensor from the fuel filter.



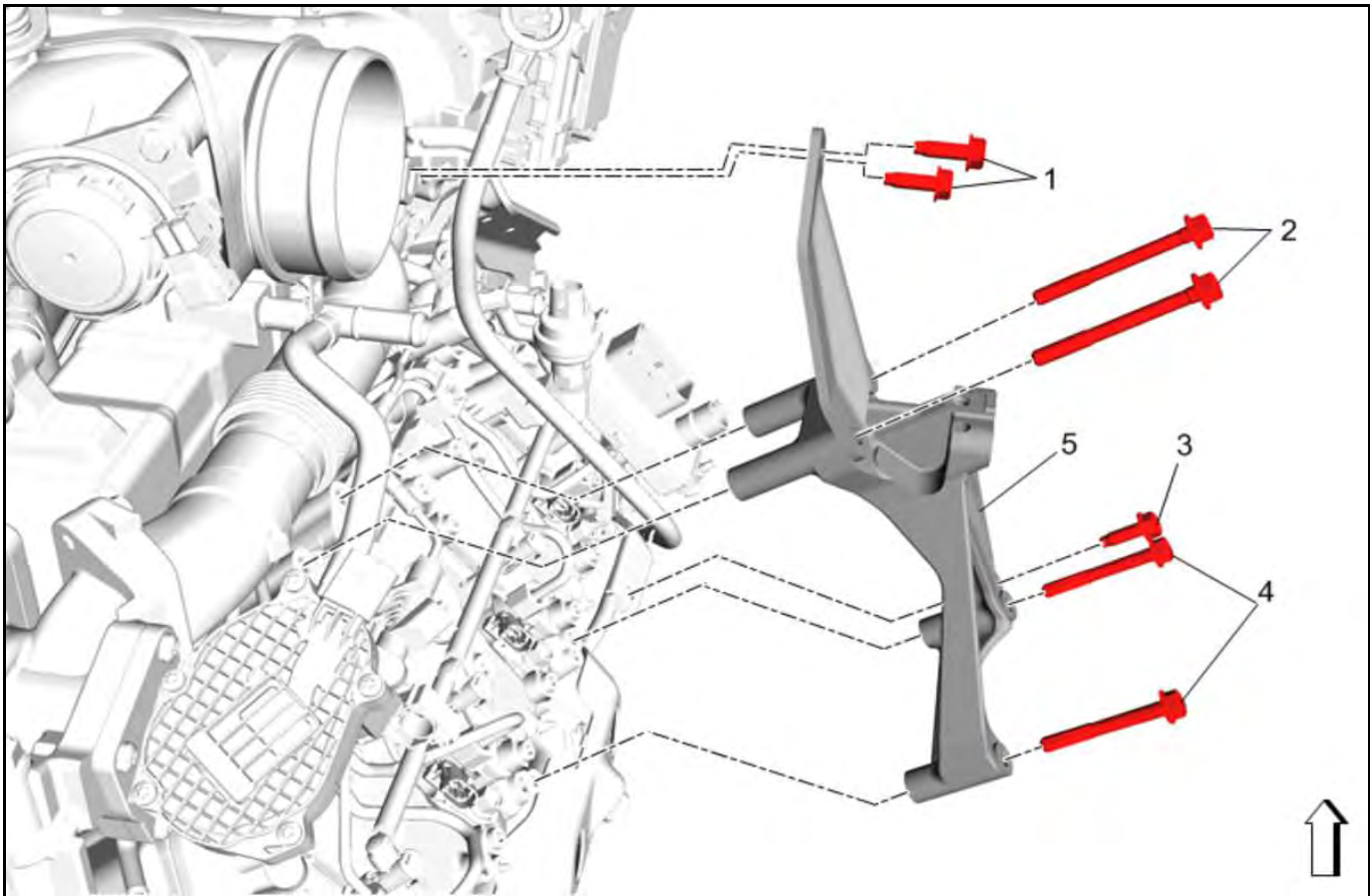
4258732

23. Remove the Heater Outlet Hose Bracket Bolt (1).
24. Separate the Heater Outlet Pipe (2) and position aside.



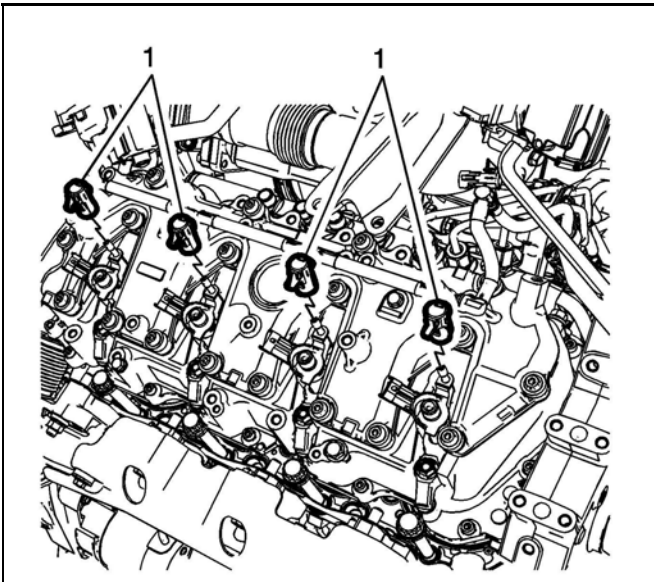
4258780

25. Remove the fuel filter assembly (2). Refer to *Fuel Filter Assembly Replacement* in SI.



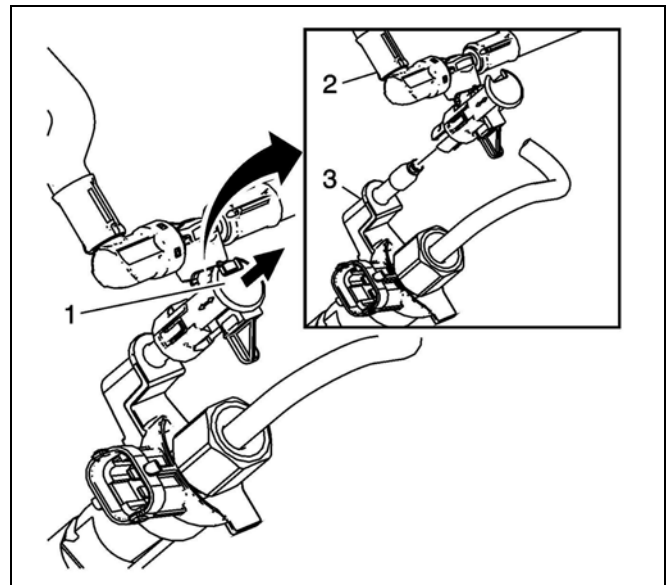
26. Remove the fuel filter bracket (5). Refer to *Fuel Filter Bracket Replacement* in SI.

5334169



2408336

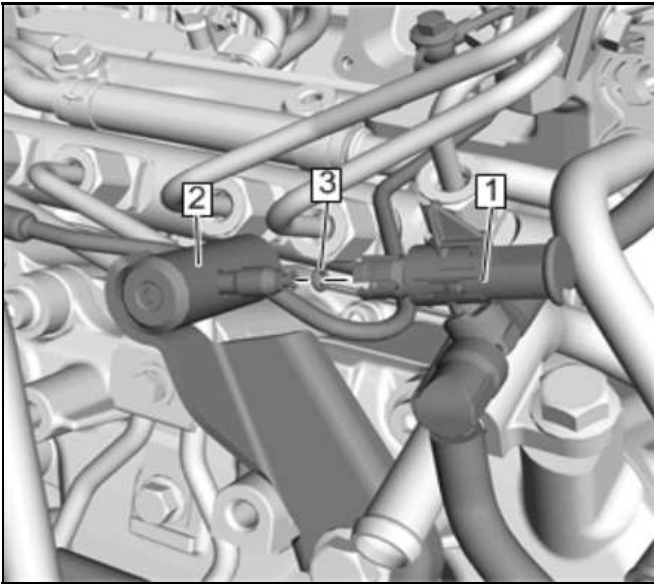
27. Disconnect the fuel return hose (1) from the injectors and position aside.



2382530

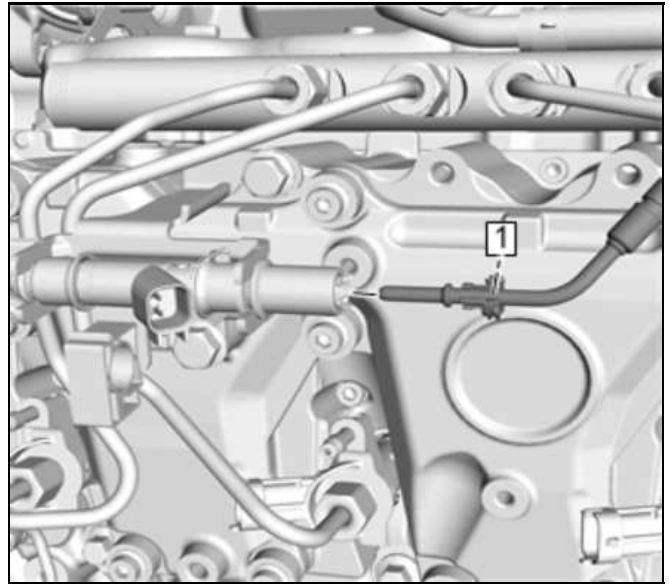
28. Disengage the fuel return line by pulling upward on the cylindrical locking sleeve (1).

29. Remove the fuel return line (2) from the fuel injectors (3).



4228683

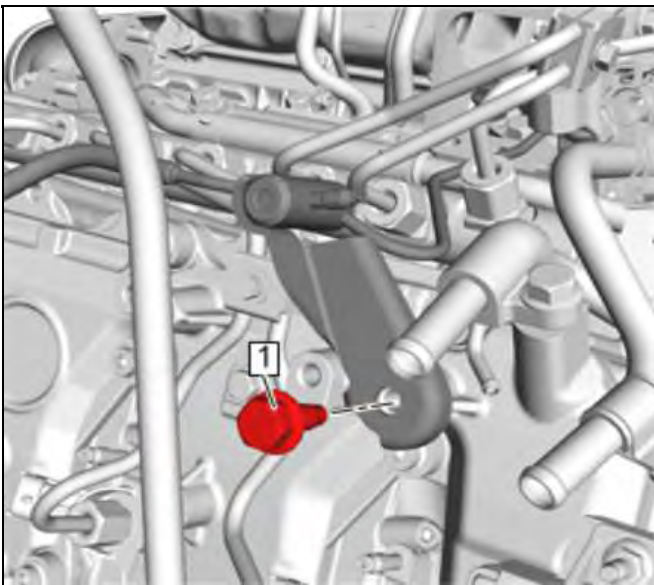
30. Disconnect the Fuel Return Hose (1) from the Fuel Feed Pipe (2)



4228687

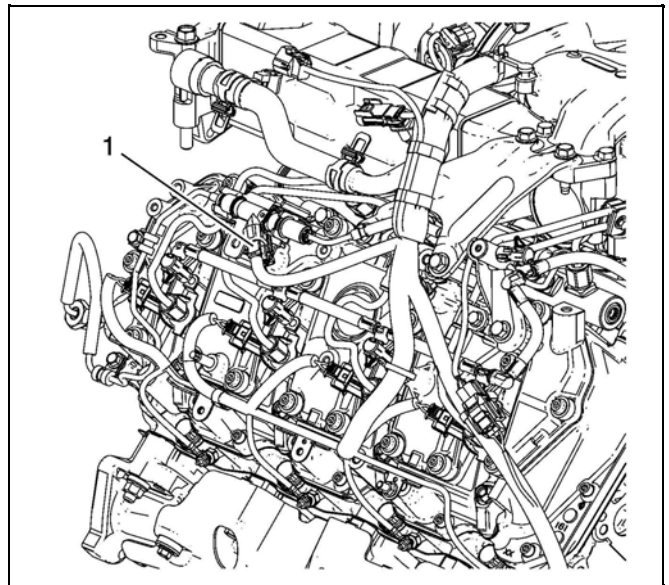
32. Remove the indirect injector from the fuel feed pipe retainer (1) using the CH-49736 tool.

33. Remove and discard the Fuel Feed Pipe.



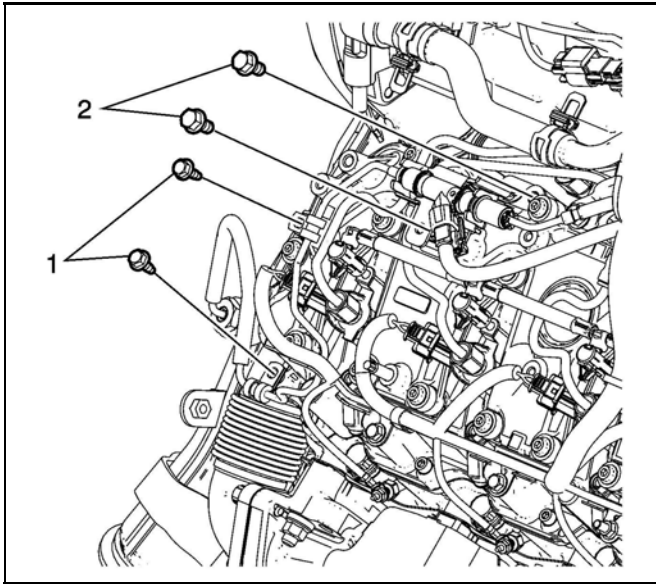
4228685

31. Remove the Fuel Injection Fuel Feed Pipe Bracket Bolt (1).



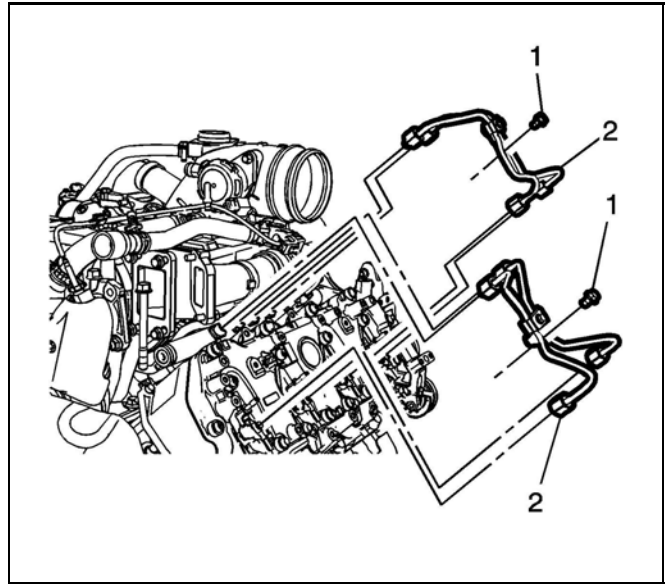
2374328

34. Disconnect the hydrocarbon injector (HCl) electrical connector (1).



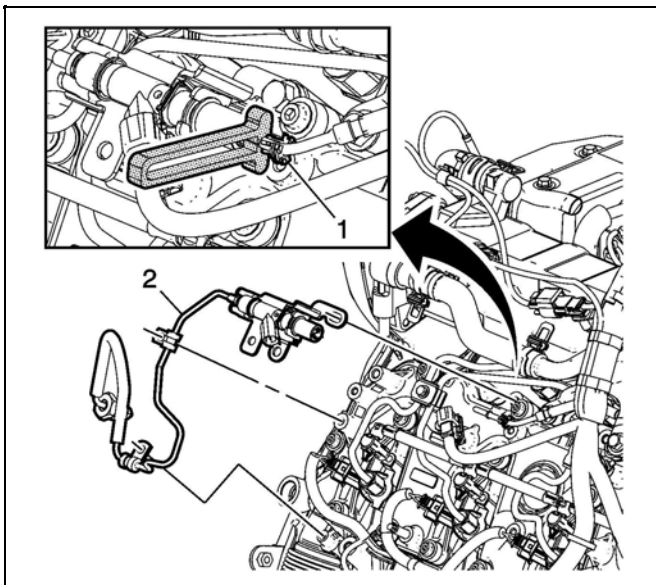
2394330

- 35. Remove the indirect fuel injector fasteners (1, 2) and reposition.
- 36. Disconnect the indirect fuel injector exhaust fitting at the exhaust outlet pipe.



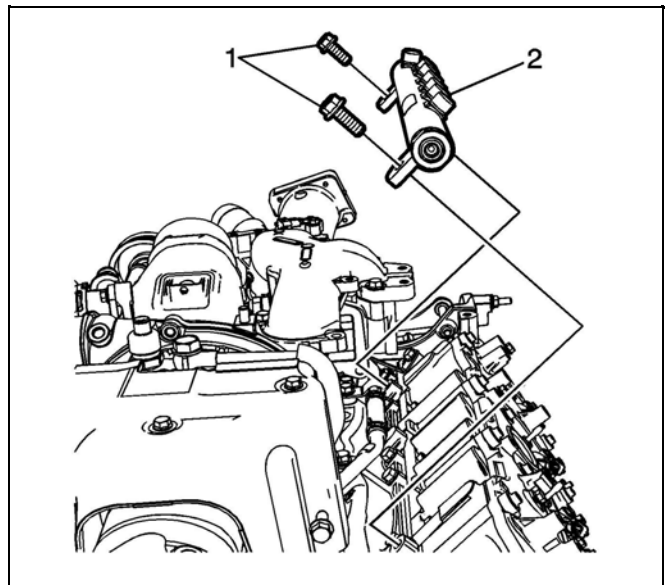
2407046

- 38. Remove the two right bank fuel injection fuel feed pipe bracket fasteners (1).
- 39. Remove and discard the fuel injection fuel feed pipes (2).



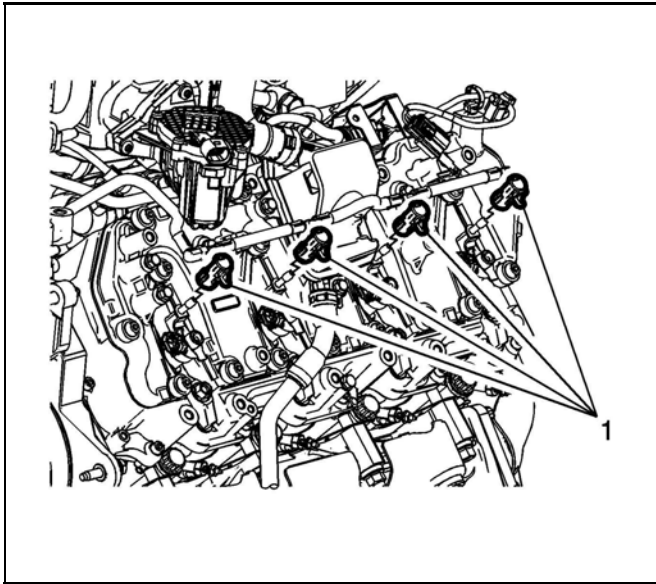
2394333

- 37. Remove and discard the indirect fuel injector (2).

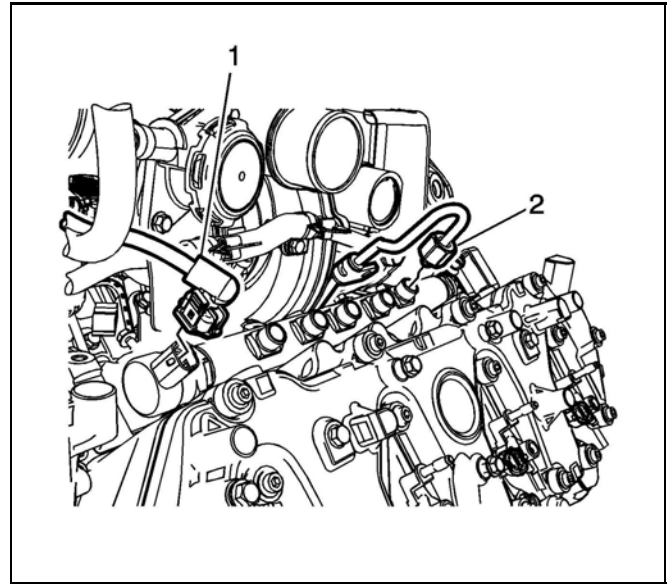


2370205

- 40. Remove the right bank fuel rail fasteners (1).
- 41. Remove and discard the right bank fuel injection fuel rail assembly (2).



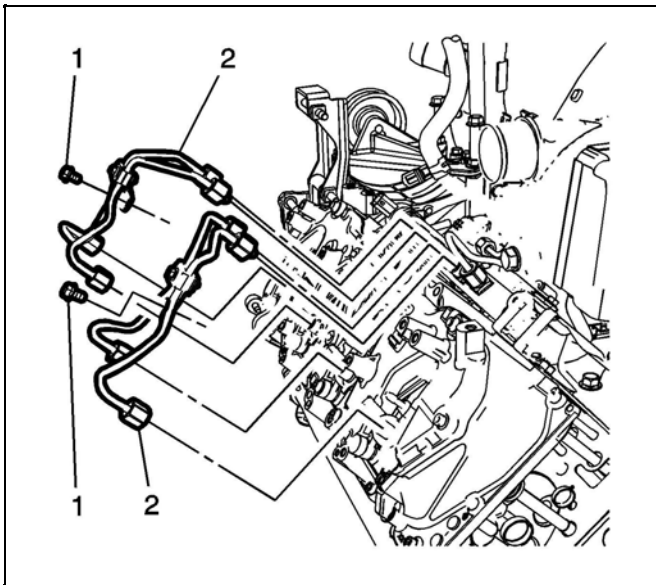
2408256



2369972

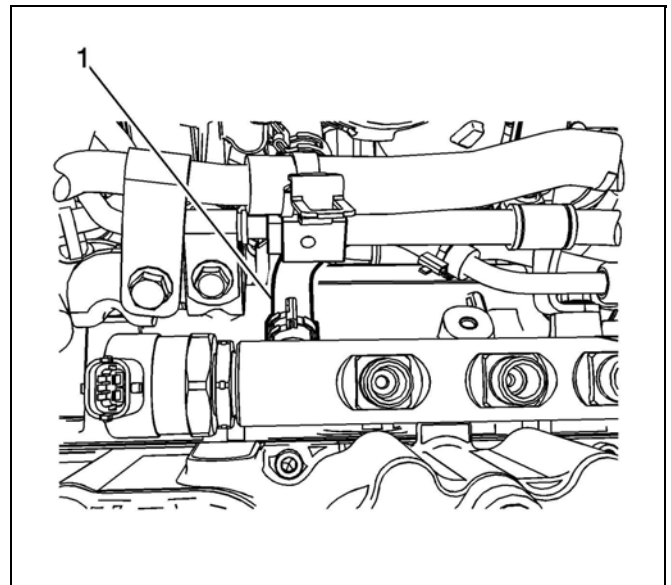
- 42. If necessary, reposition the engine harness aside.
- 43. Disconnect the fuel return hose (1) from the injectors and discard.

- 46. Disconnect the fuel pressure relief valve electrical connector (1).



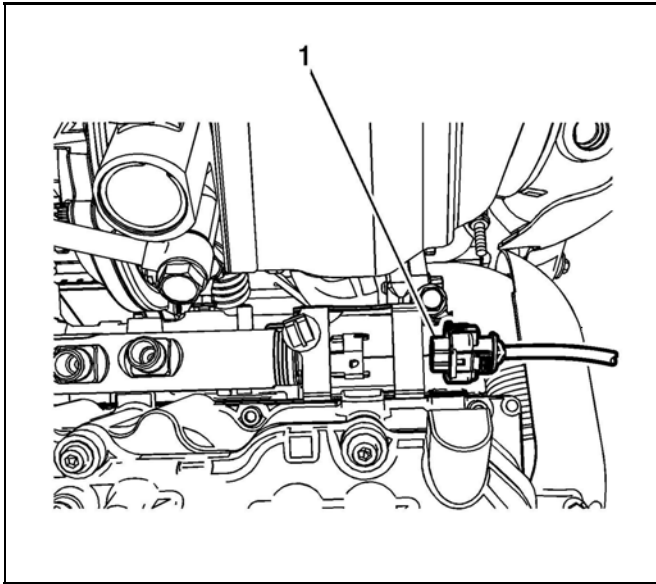
2407097

- 44. Remove the two left bank fuel injection fuel feed pipe bracket fasteners (1).
- 45. Remove and discard the four fuel injection fuel feed pipes (2).



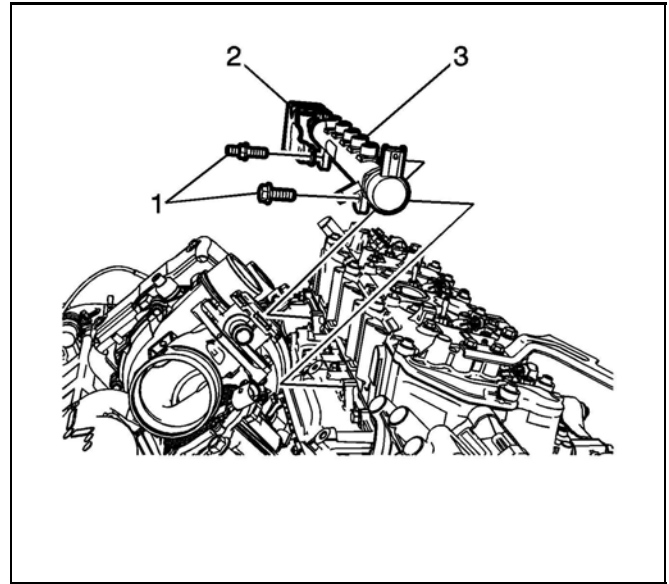
2369976

- 47. Collapse the spring clamp and disconnect the fuel return hose (1).



2369973

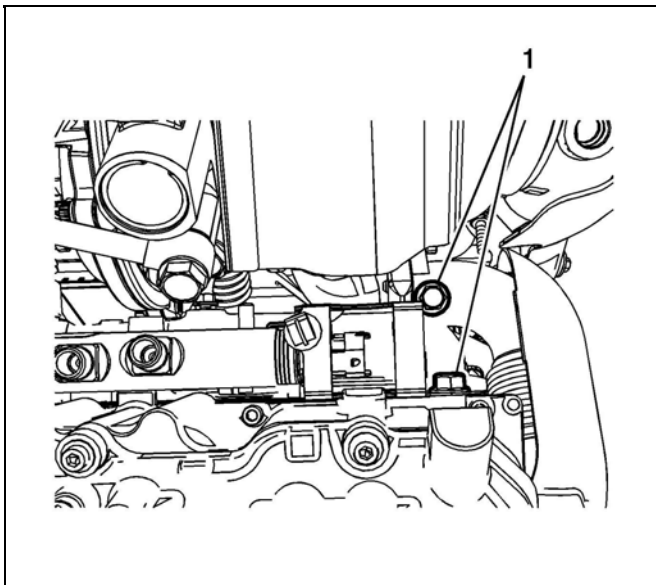
48. Disconnect the fuel pressure sensor electrical connector (1).



2369985

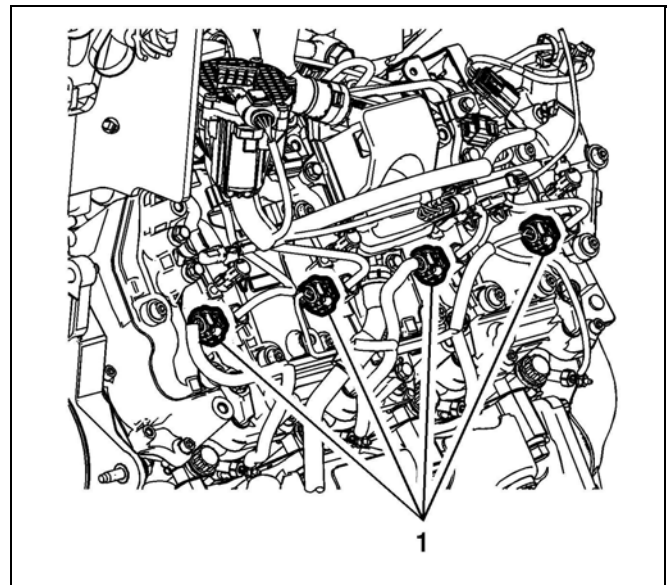
- 50. Remove the left bank fuel injection rail fasteners (1).
- 51. Remove the heat shield (2).
- 52. Remove and discard the left bank fuel injection fuel rail assembly (3).

Caution: Label all the injector electrical connectors before the connectors are removed in order to prevent reconnecting to the wrong injector. Failure to properly connect the injectors in the correct sequence will cause severe engine damage.



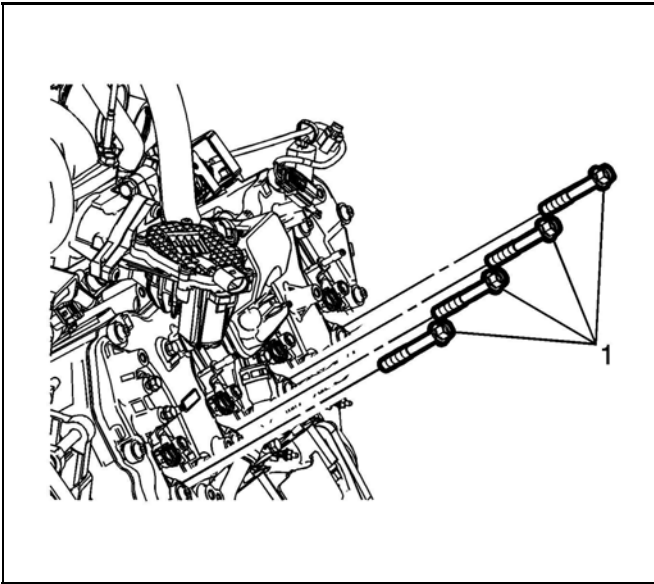
2369984

49. Remove the fuel rail heat shield fasteners (1).



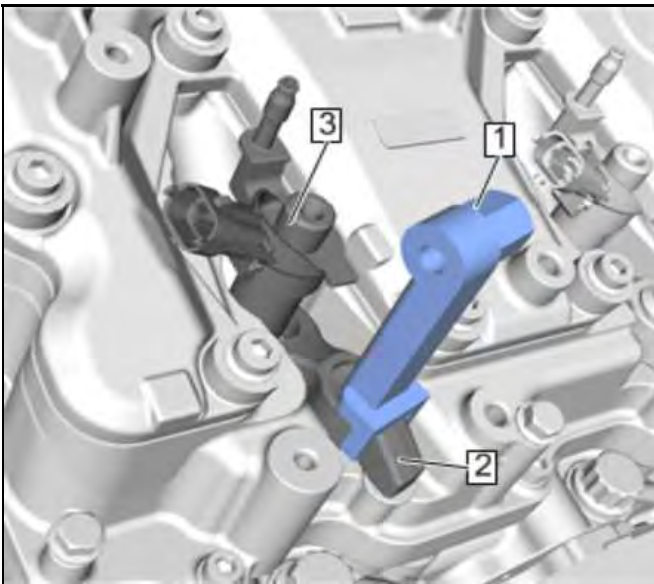
2408253

53. Disconnect the fuel injector electrical connectors (1).



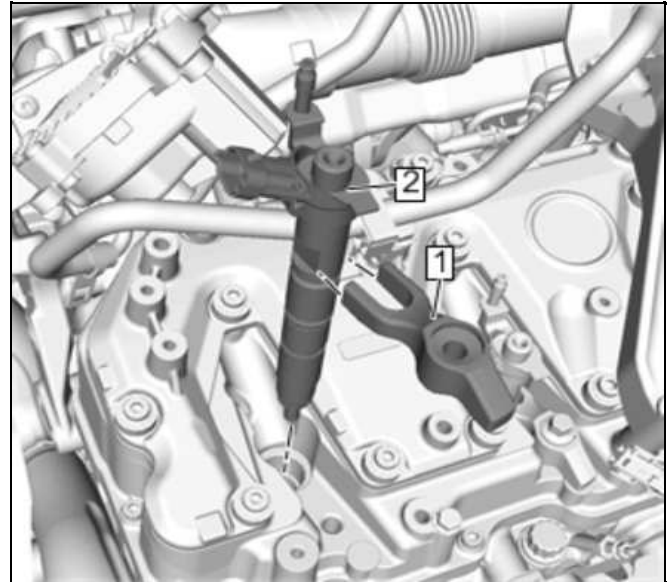
2408258

54. Remove all the fuel injector bracket bolts (1).



4663244

55. Using one of the fuel injector brackets (2), install *EN-49774* Fuel Injector Puller (1) into the bolt hole in the fuel injector bracket.
56. Install a suitable wrench onto *EN-49774* Fuel Injector Puller and work the tool outward until the fuel injector (3) releases from its seat.
57. Remove the *EN-49774* Fuel Injector Puller.



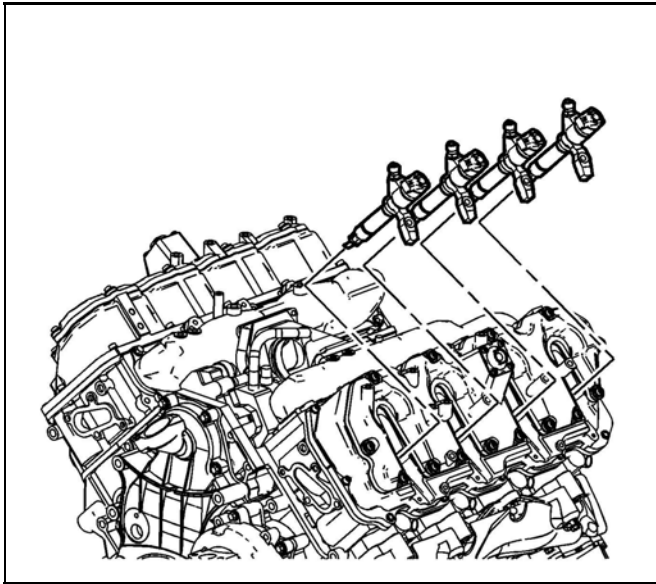
4663305

58. Remove the fuel injector bracket (1) and fuel injector.
59. Discard the diesel fuel injector (2).
60. Repeat steps 56-60 for each injector.

Injector Bore Cleaning Procedure

Warning: *Wear safety glasses to avoid eye damage.*

Caution: Do not allow excessive amounts of solvent to go into the cylinder during cleaning. Failure to do so may cause engine damage upon startup.



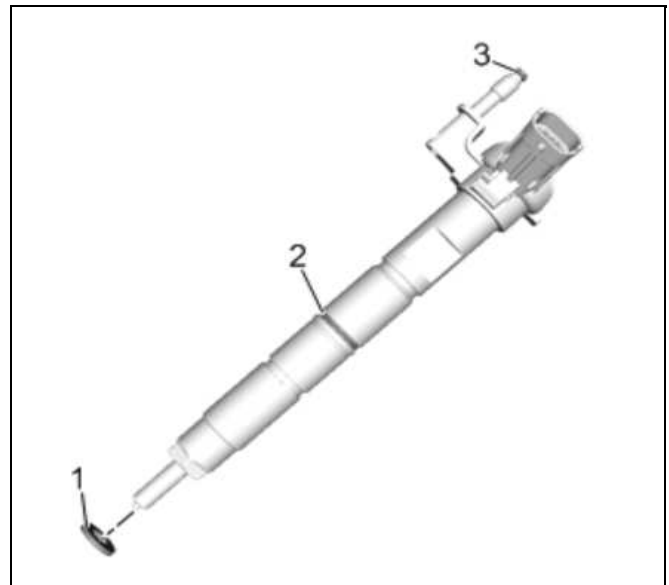
1335621

1. Install the EN - 47909-2 Radial Brush to the EN - 47909-1 T-Handle.
 2. Insert the EN-47909-2 Radial Brush into the injector bore and rotate the EN-47909-1 T-Handle to break loose any carbon deposits from the injector bore walls and the combustion deck hole.
 3. Using compressed air, evacuate any debris from the injector bore.
 4. Remove the EN-47909-2 Radial Brush from the EN-47909-1 T-Handle.
 5. Install the EN - 47909-3 Axial Brush to the EN-47909-1 T-Handle.
 6. Insert the EN-47909-3 Axial Brush into the injector bore and rotate the EN-47909-1 T-Handle while also applying a slight downward pressure to force the brush ends into the bottom corners of the injector bore.
 7. Using compressed air, evacuate any debris from the injector bore.
 8. Lightly dampen EN - 47909-20 Cotton Swab with Top Engine Cleaner and wipe away any deposits from the injector bore. Refer to *Adhesives, Fluids, Lubricants, and Sealers* in SI.
 9. Inspect the injector bore for any deposits and repeat brushing if necessary.
- Warning:** Keep hands and face clear of glow plug holes while cranking. Hot liquid or gases may be expelled during cranking.
10. If necessary, crank the engine to expel any solvent before starting the engine.
 11. Remove the glow plugs;
 - Refer to *Glow Plug Replacement - Bank 1*
 - Refer to *Glow Plug Replacement - Bank 2*
 12. Disable the fuel system.
 13. Disconnect the Crank Shaft Position (CKP) sensor electrical connector.
 14. Crank the engine to expel excessive solvent.
 15. Using the EN-47909-20 Cotton Swab wipe the injector bore clean of any solvent and/or debris.
 16. Connect the CKP sensor electrical connector.
 17. Enable the fuel system.
 18. Install the glow plugs;
 - Refer to *Glow Plug Replacement - Bank 1*
 - Refer to *Glow Plug Replacement - Bank 2*

Installation Procedure

Caution: Refer to *Component Fastener Tightening Caution* in SI.

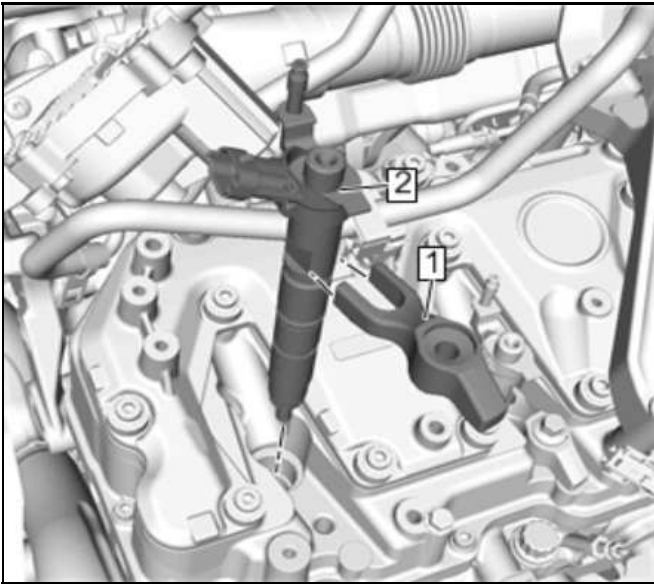
Note: It may be useful to take a photo of the Fuel Injector Flow Rate value on each injector prior to installation.



4663364

Note: Lubricate the NEW fuel injector O-ring seals with clean engine oil.

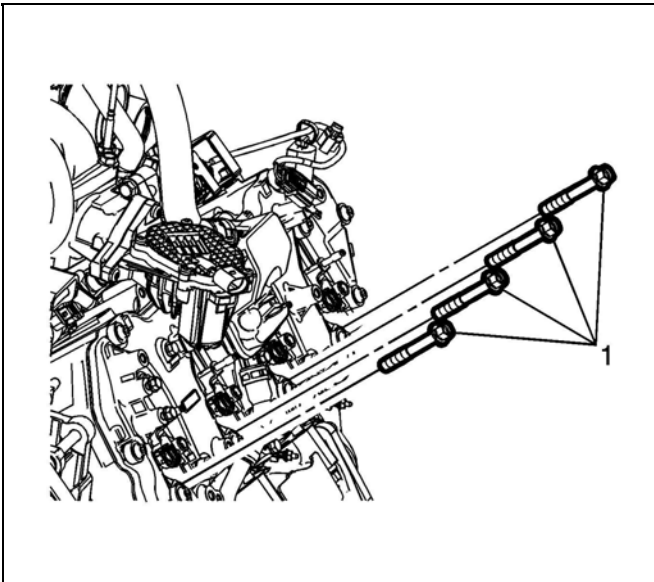
1. Install combustion Fuel Injector Seal (1).
2. Install fuel injector seal ring (2).
3. Install fuel injector seal ring (3).



4663305

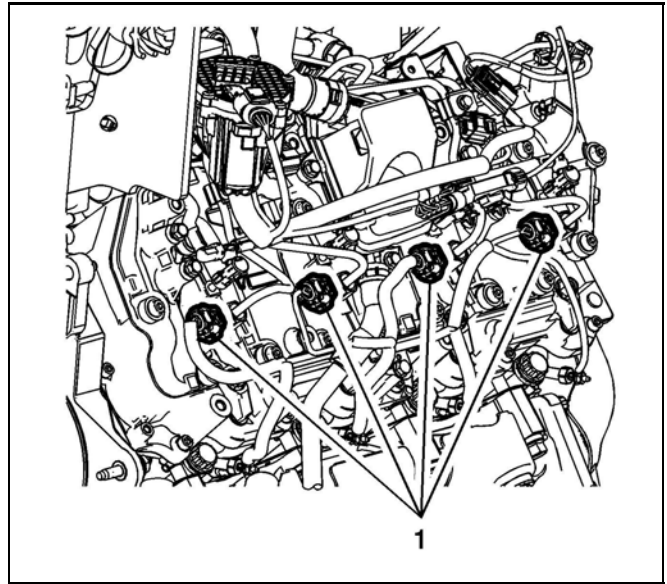
Note: Ensure the fuel injector valve pivot pin is in place in the lower rocker cover before installing the injector bracket.

4. Install high pressure diesel fuel injector (2) assembly.
5. Repeat steps 1-4 for all of the remaining injectors.



2408258

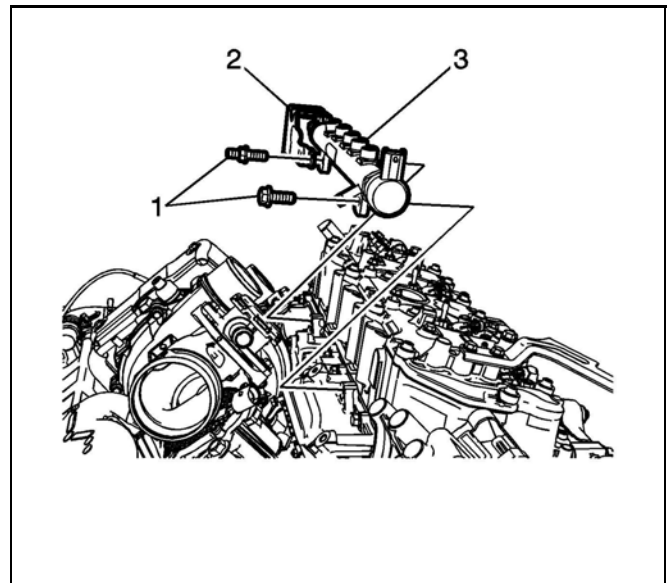
6. Install fuel injector bolts (1).
 - ⇒ Torque the fuel injector bracket bolts to 30N•m (22 ft lbs).



2408253

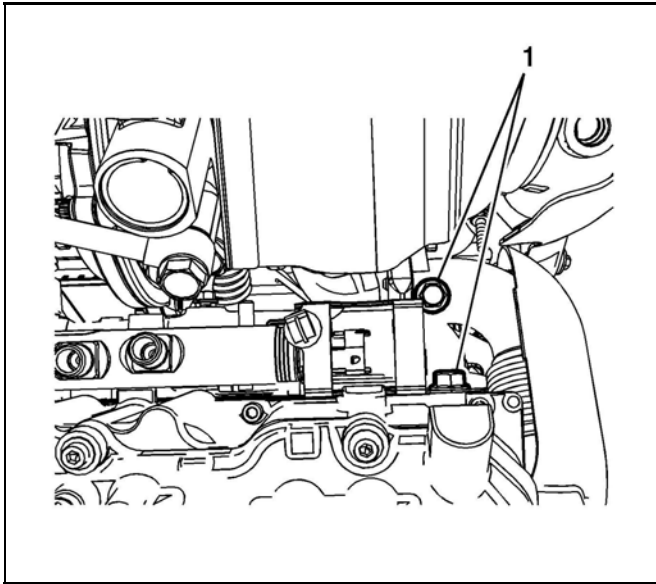
7. Connect the fuel injector electrical connectors (1).

Important: It is recommended to insert the High Pressure Fuel Pipe, Rail to Rail under the turbocharger prior to installing the left fuel rail. Also, leave the line end caps in place while inserting this pipe.



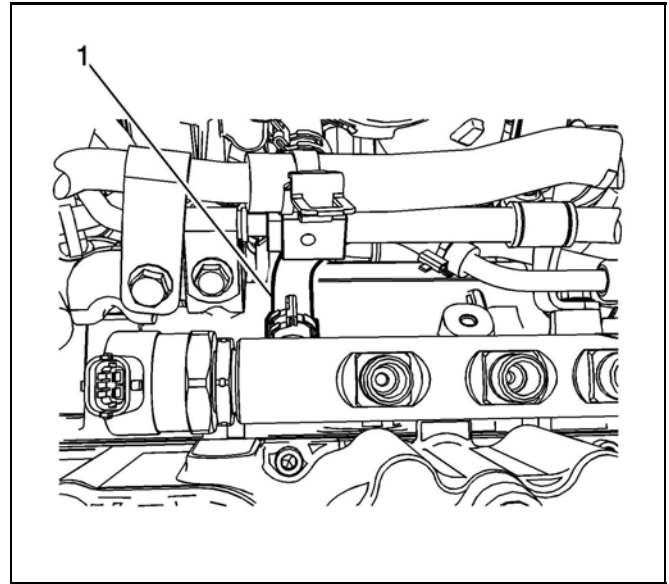
2369985

9. Install the left side fuel injection fuel rail assembly (3) and heat shield (2).
10. Install the left side fuel injection rail bolts (1).
 - ⇒ Torque the fuel injector bracket bolts to 25 N•m (18 ft lbs).



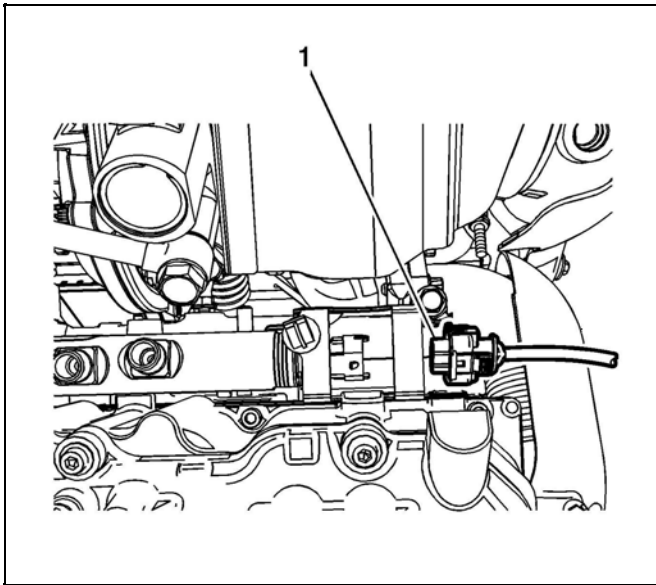
2369984

11. Install the left side fuel rail heat shield bolts (1).
 ⇒ Torque the fuel rail heat shield bolts to 25 N•m (18 ft lbs).



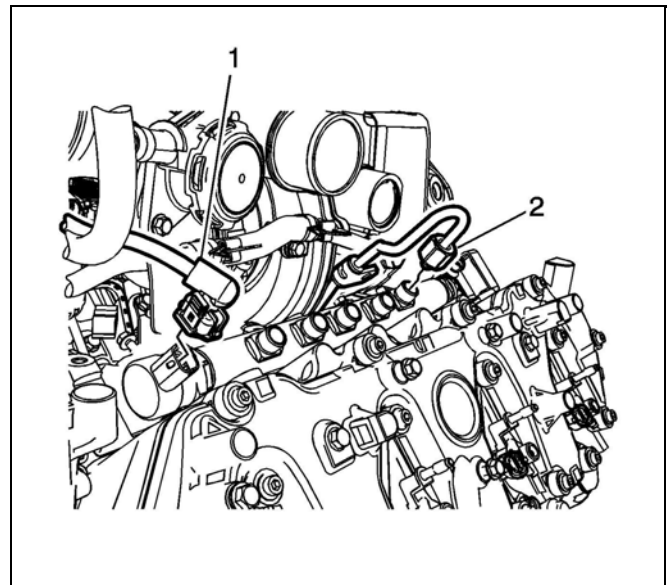
2369976

13. Collapse the spring clamp and disconnect the fuel return hose (1).



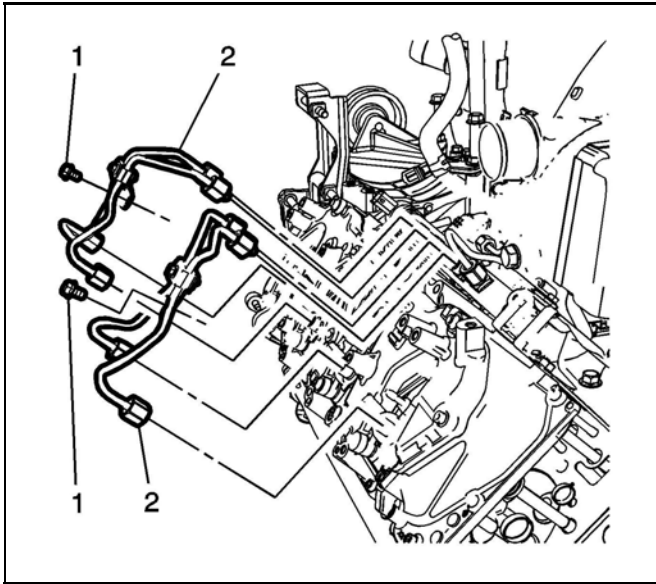
2369973

12. Connect the fuel pressure sensor electrical connector (1).



2369972

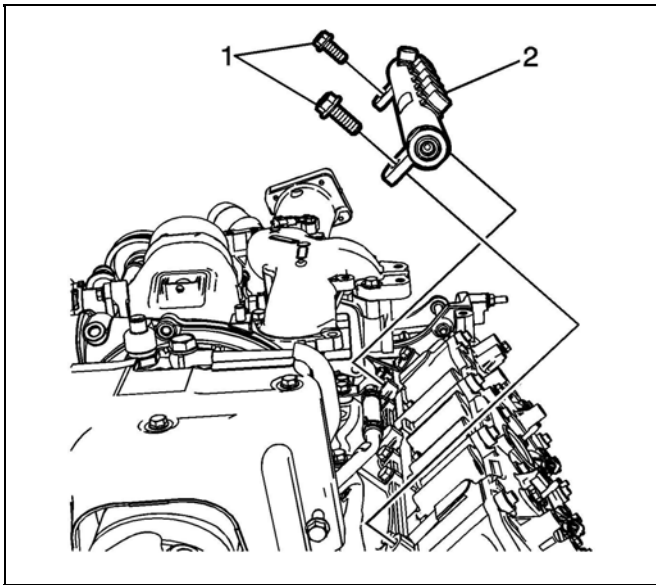
14. Connector the left side fuel pressure relief valve electrical connector (1).
 15. Ensure all lines, injectors and rail fittings are clean and dry prior to assembly.



2407097

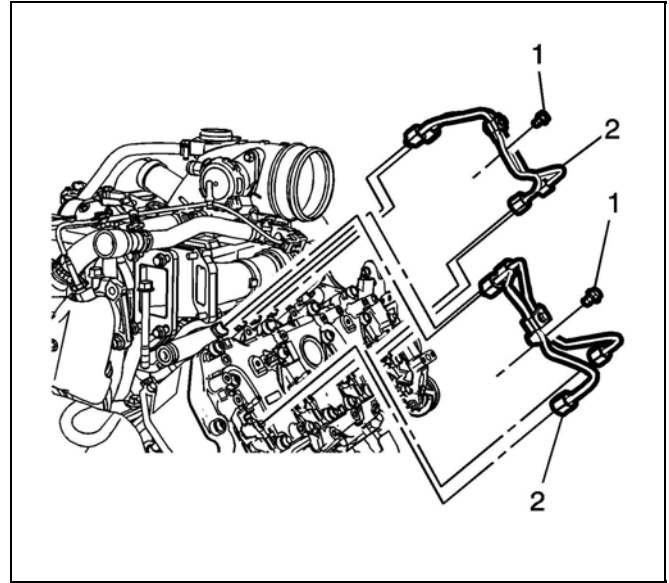
Caution: Ensure proper torque of the fuel injector lines. An under-torqued fuel injector line will not seal properly and an over-torqued fuel injector line may damage the fuel injector fitting. An improperly sealed or damaged fuel injector line or fuel injector fitting, will cause a fuel leak.

17. Install the left side fuel injection fuel feed pipes (2).
 - ⇒ Torque the fuel injection fuel feed pipes fittings in alternating increments to 30 N•m (22 ft lbs).
18. Install the left side fuel injection fuel feed pipe bracket bolts (1).
 - ⇒ Torque the fuel injection fuel feed pipes bracket bolts to 10 N•m (89 in lbs).



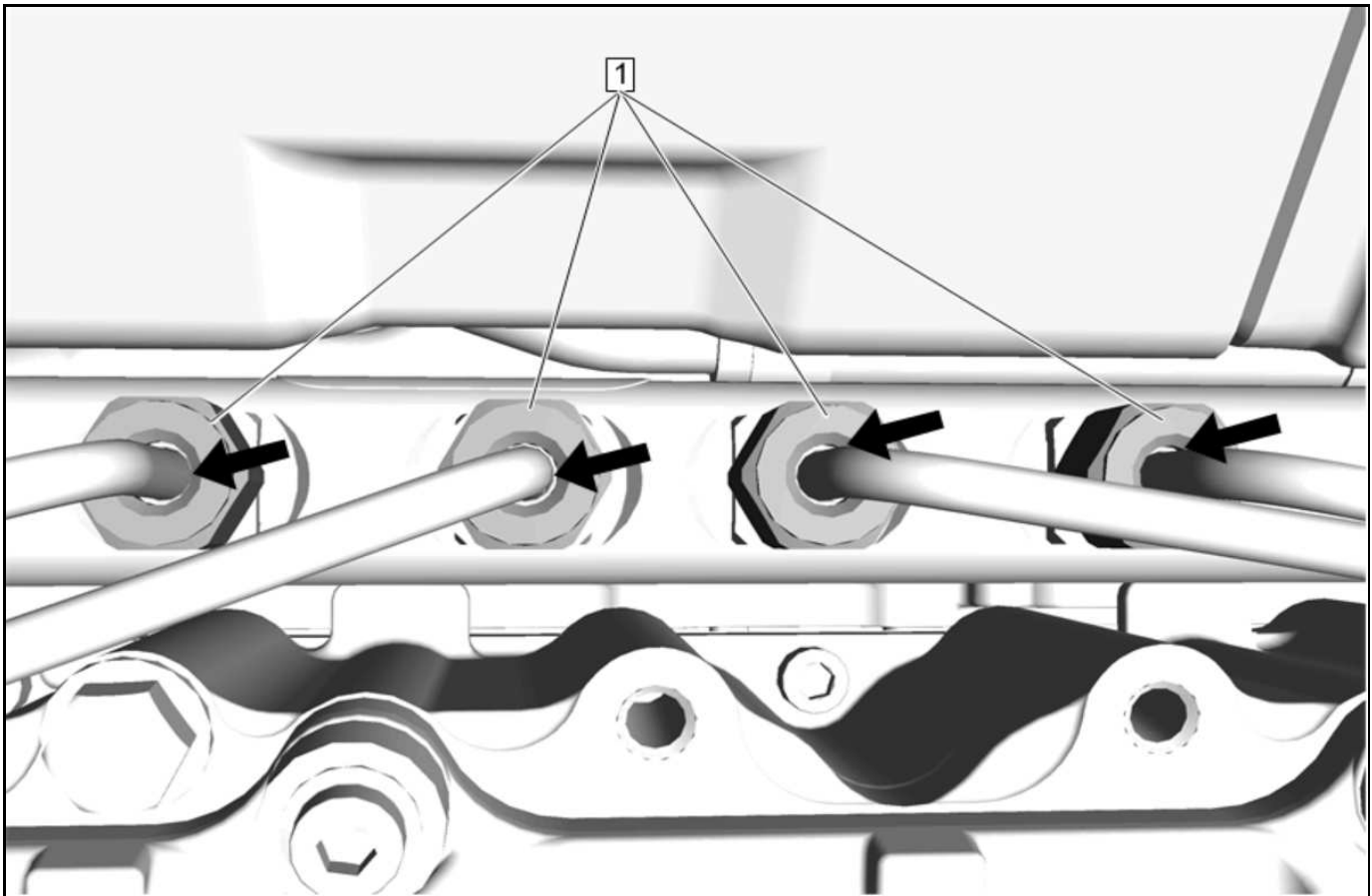
2370205

19. Position the right side fuel injection fuel rail assembly (2) and install the fuel rail bolts (1).
 - ⇒ Torque the fuel rail bolts to 25 N•m (18 ft lbs).
20. Ensure right side lines, injectors and rail fittings are clean and dry prior to assembly.



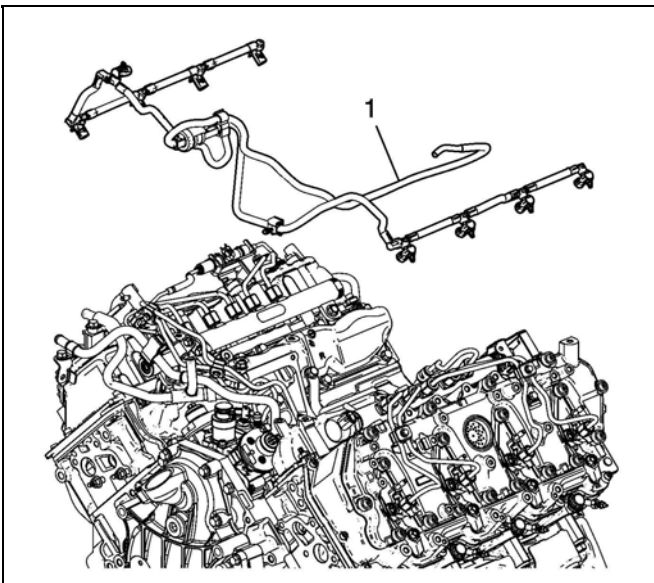
2407046

- Caution:** Ensure proper torquing of the fuel injector line. An under-torqued fuel injector line will not seal properly and an over-torqued fuel injector line may damage the fuel injector fitting. An improperly sealed or damaged fuel injector line or fuel injector fitting will cause a fuel leak.
22. Install the right side fuel injection fuel feed pipes (2).
 - ⇒ Torque the fuel injection fuel feed pipes bolts in alternating increments to 30 N•m (22 ft lbs).
 23. Install the right side fuel injection fuel feed pipe bracket bolts (1).
 - ⇒ Torque the fuel injection fuel feed pipes bracket bolts to 10 N•m (89 in lbs).



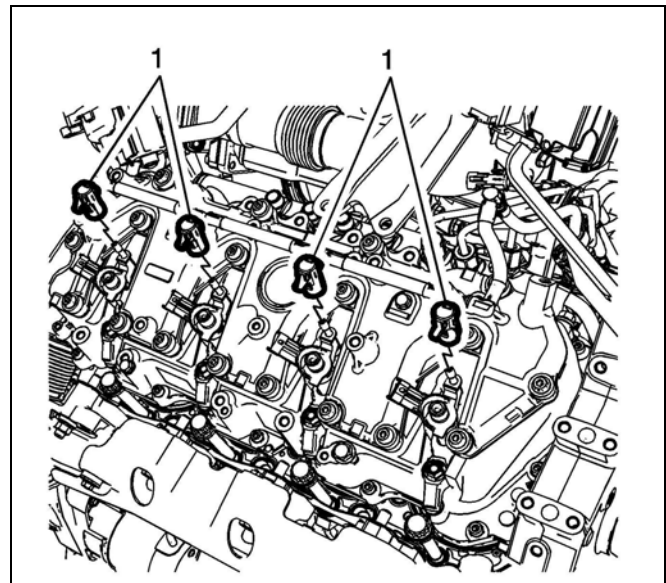
24. Clean the fuel injection fuel feed pipes and fittings for all 8 cylinders and apply sealant at the fittings (1) to prevent moisture and debris from collecting. Refer to *Adhesives, Fluids, Lubricants, and Sealers* in SI.

5334311



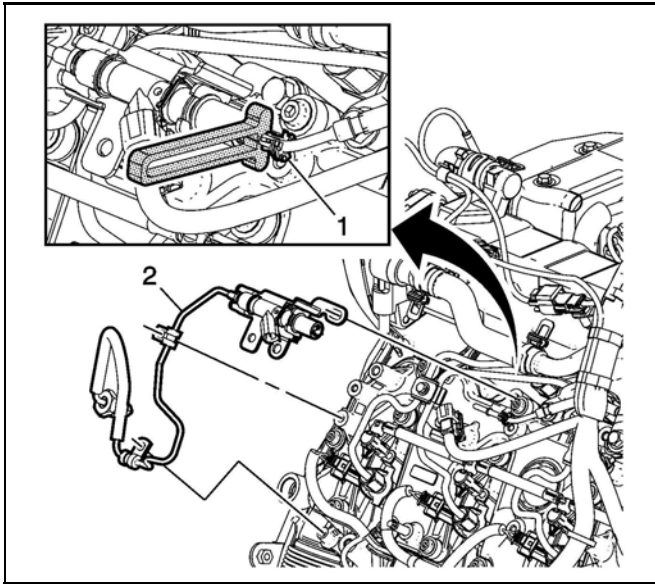
2376586

25. Install the NEW fuel injector fuel return line assembly (1).



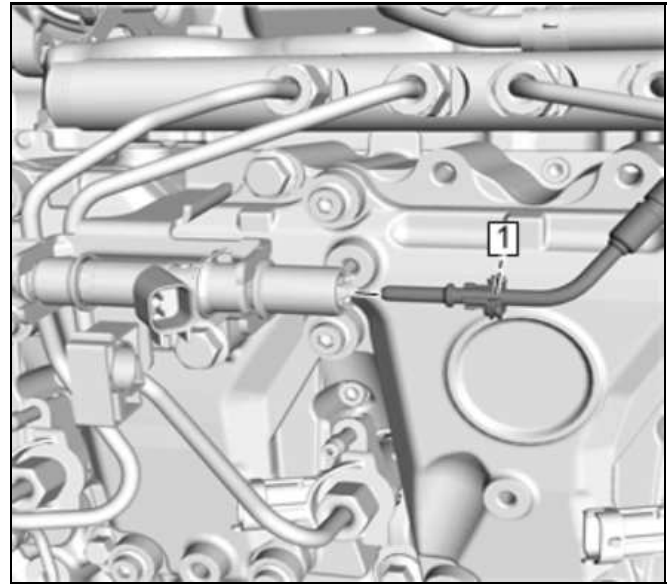
2408336

26. Connect and reposition the fuel return hose (1).
 27. If necessary, install engine wiring harness.



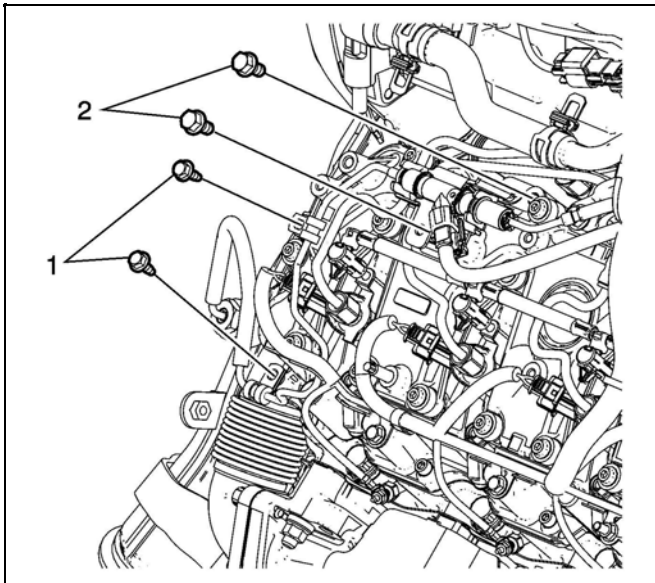
2394333

28. Install the indirect fuel injector (2).
 ⇒ Torque the indirect fuel injector fittings to 45 N•m (33 ft lbs).



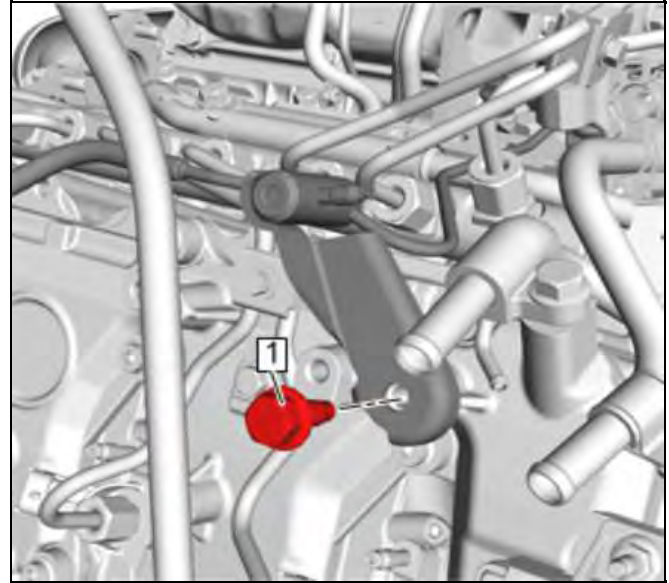
4228687

30. Connect the fuel feed pipe Quick Connect Fitting (1).
 31. Connect the indirect injector electrical connector.



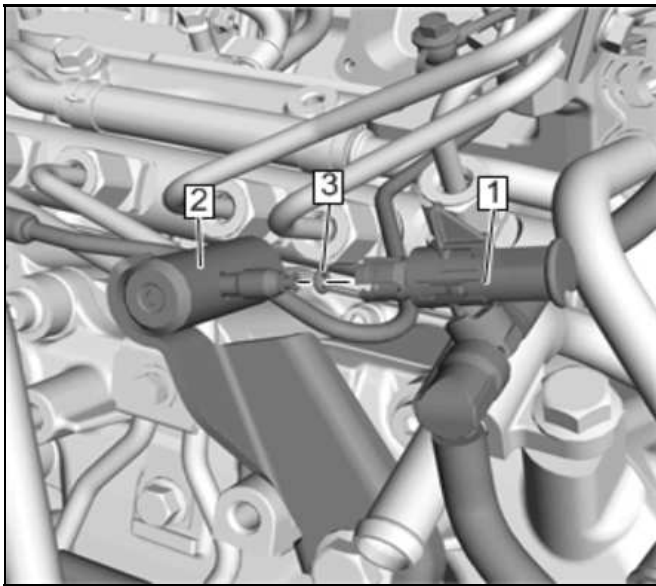
2394330

29. Install the two indirect fuel injector bolts (1, 2).
 ⇒ Torque the indirect fuel injector bolts to 25 N•m (18 ft lbs).



4228685

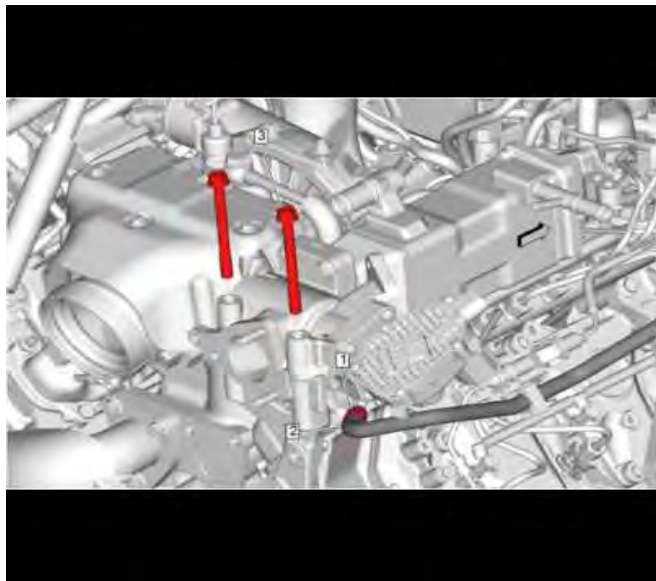
32. Install the fuel feed bracket bolt (1).
 ⇒ Torque the fuel feed bracket bolt to 25 N•m (18 ft lbs).



4228683

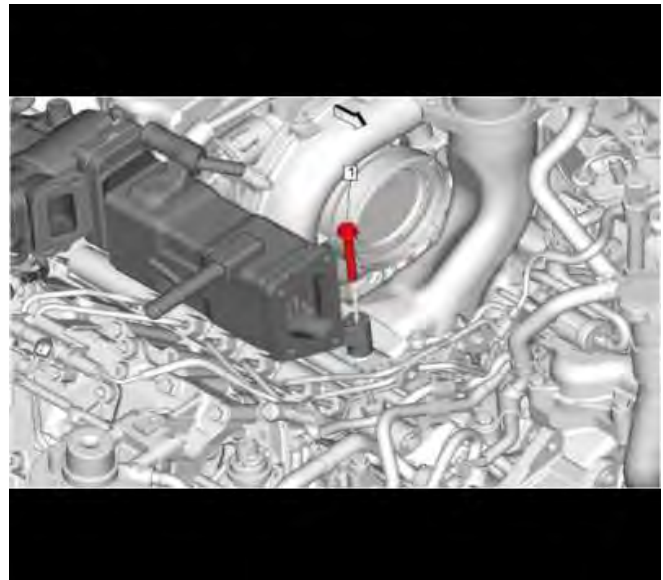
Note: After connecting the fuel return hose to the fuel feed pipe, lock the fuel return line by pushing the cylindrical locking sleeve towards the connection point.

33. Connect the fuel return hose (1) to the fuel feed pipe (2).



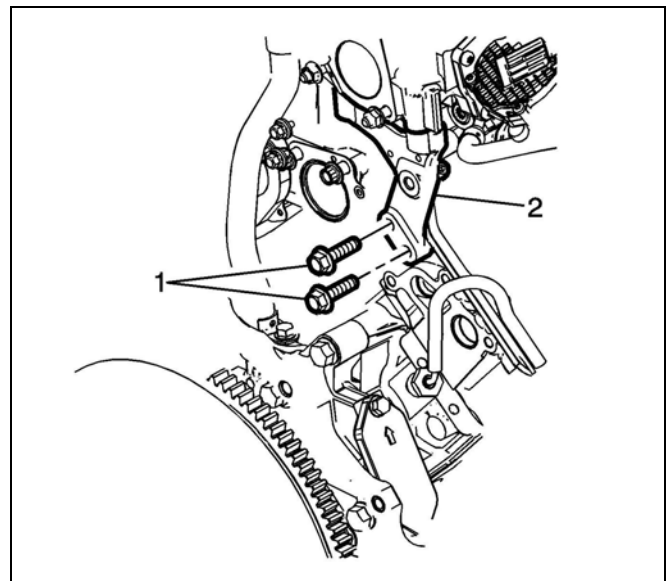
5542966

34. Position the rear EGR Cooler and the NEW gasket, on top of the engine.
35. Loosely install the rear EGR mounting bolts (3) to the EGR bracket.
36. Install the EGR Cooler water bypass outlet hose (2) to the EGR cooler bypass valve.
37. Engage the hose clamp (1).



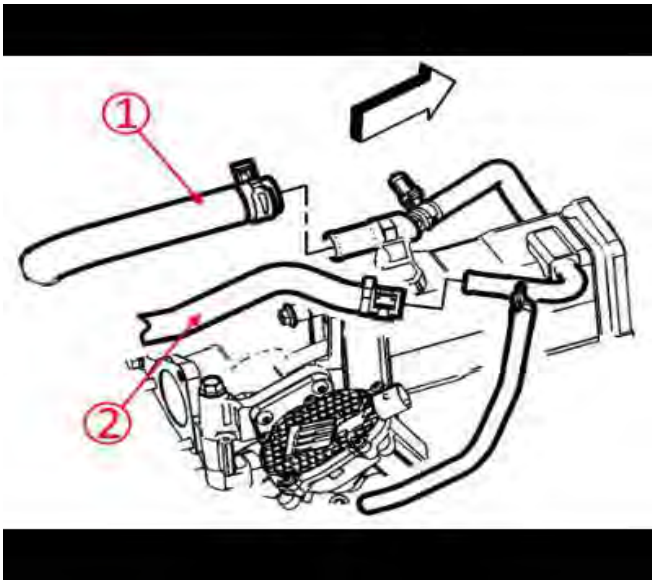
5542942

38. Hand tighten the front EGR Cooler bracket bolt (1).
39. Raise the vehicle.



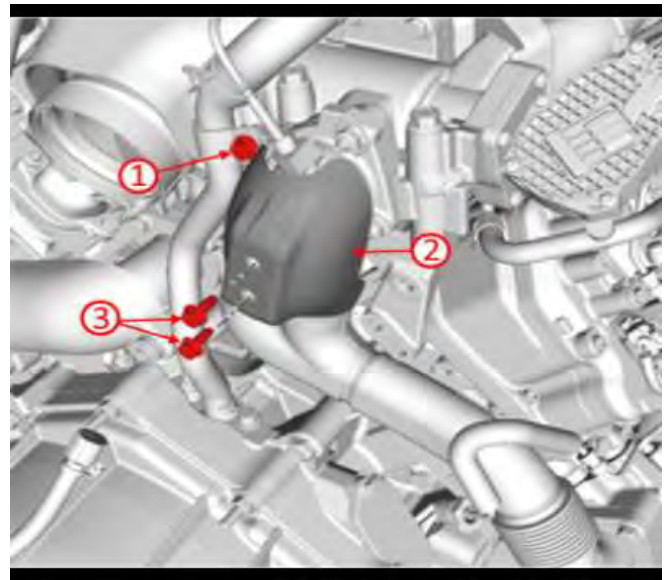
2495773

40. Tighten the rear EGR Cooler Bypass Valve bracket bolts (1).
⇒ Torque the rear EGR bracket bolts to 25 N•m (18 ft lbs).
41. Lower the vehicle.
42. Tighten the 2 rear EGR mounting bolts and front cooler bracket bolt.
⇒ Torque the bolts to 25 N•m (18 ft lbs).



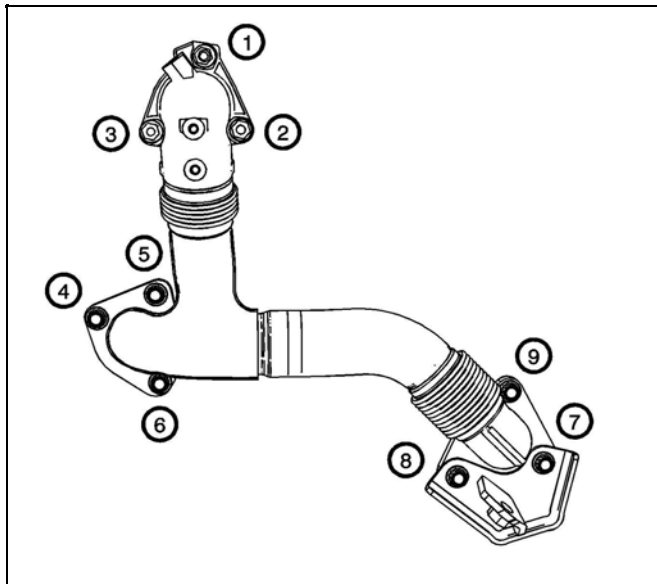
5527489

- 43. Install the EGR Cooling Feed Hose (1) and the Heater Inlet Hose (2).
- 44. Connect the EGR bypass valve electrical connector.



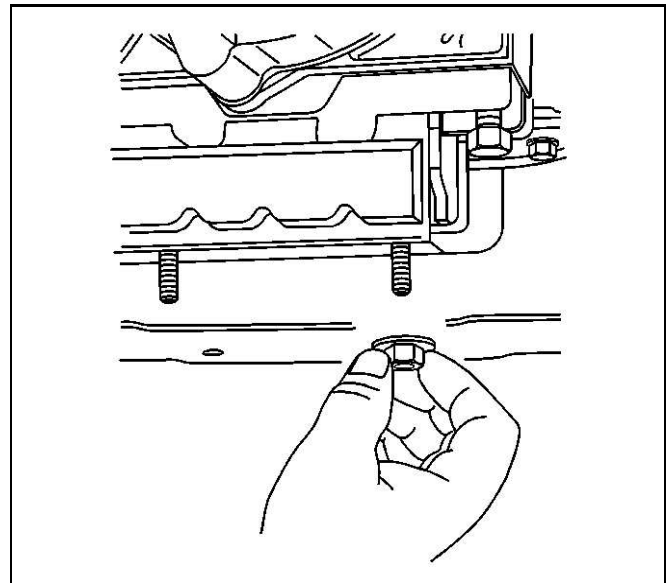
5527220

- 46. Install EGR coolant feed hose/pipe upper bolt (1).
⇒ Torque the bolts to 25 N•m (18 ft lbs).
- 47. Install the right exhaust manifold outlet pipe heat shield (2) and tighten the heat shield bolts (3).
⇒ Torque the bolts to 10 N•m (89 in lbs).
- 48. Raise the vehicle.



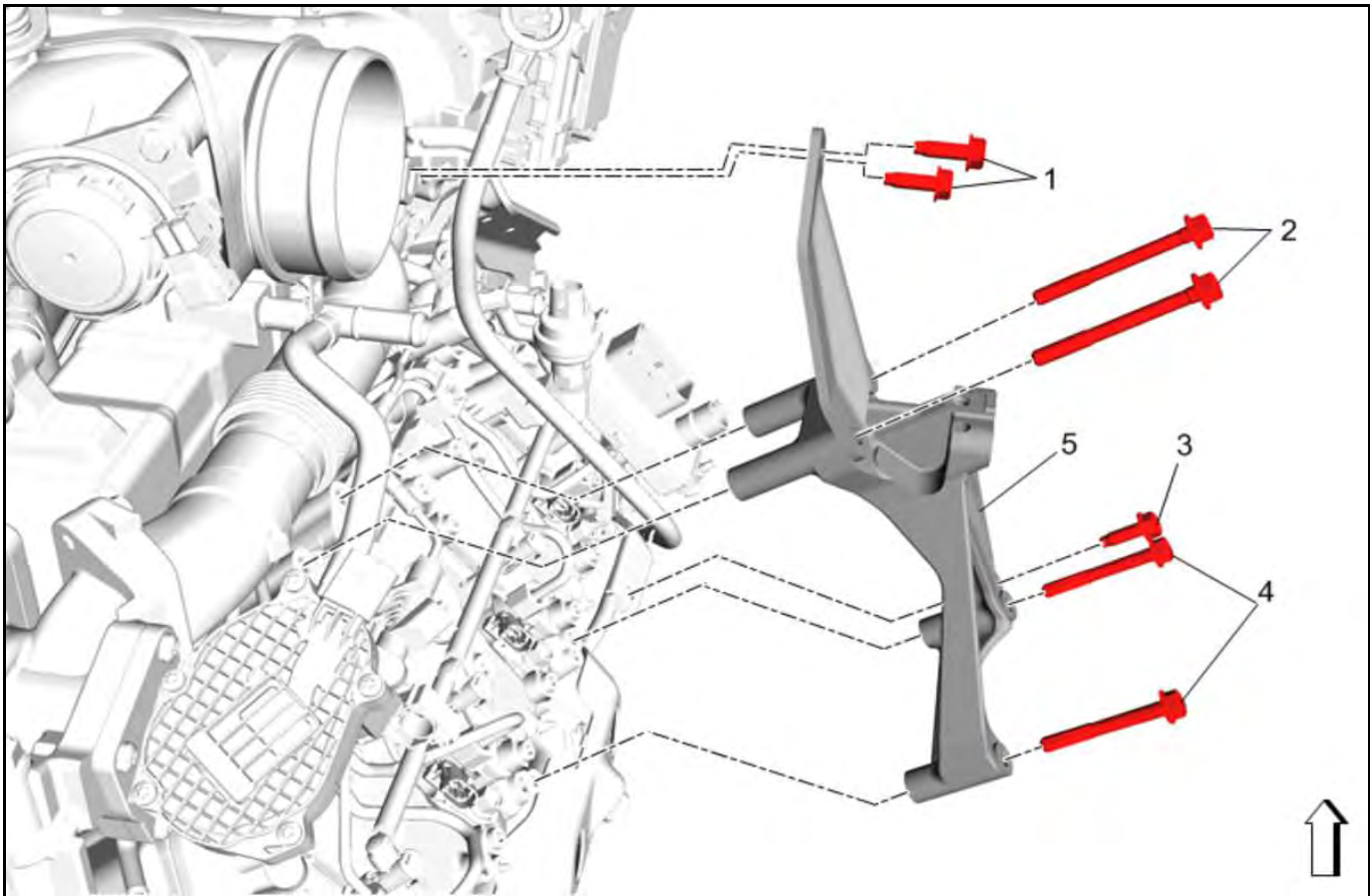
2409415

- 45. Install and tighten the exhaust manifold outlet pipe bolt (3) and the 2 exhaust manifold outlet pipe nuts (2, 1). Exhaust Manifold Outlet Pipe Replacement - Right Side.
⇒ Torque fasteners to 25 N•m (18 ft lbs).



647997

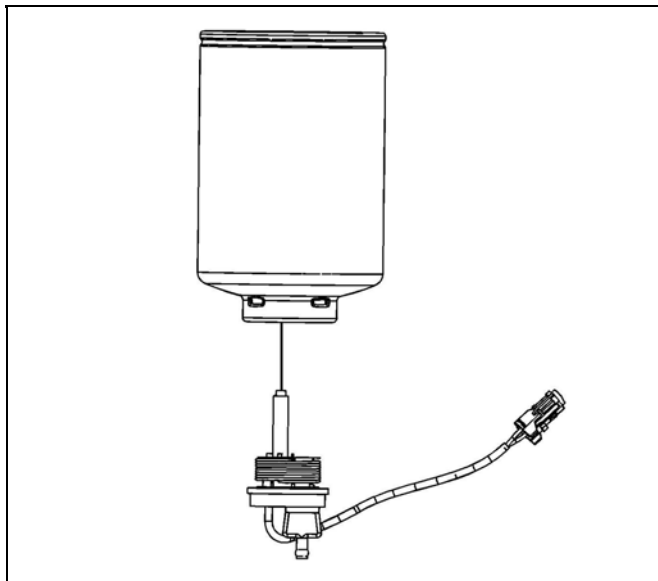
- 49. Using care, raise the transmission and remove the block of wood.
- 50. Lower the transmission and install the mount to crossmember nuts.
⇒ Torque the nuts to specification. Refer to *Fastener Specifications* in SI.
- 51. Lower the vehicle.



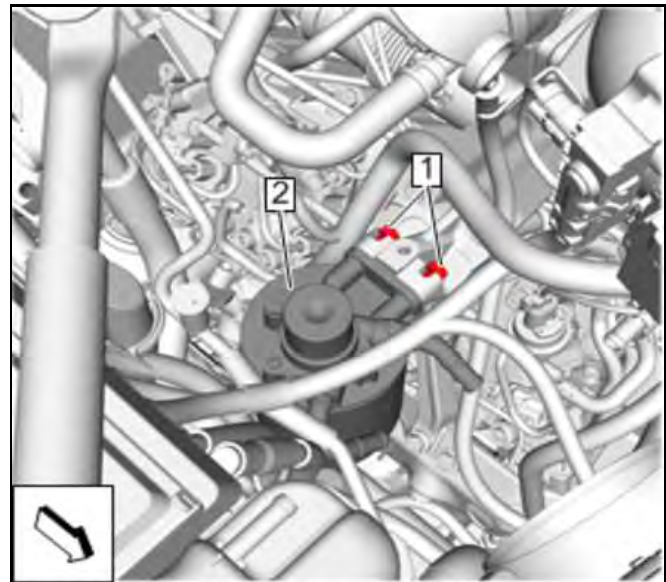
5334169

- 52. Install the fuel filter bracket (5).
⇒ Torque all the bolts to 25 N•m (18 ft lbs).
- 53. Install the oil level indicator tube bracket bolt (3).
⇒ Torque the oil level indicator tube bolts to 25 N•m (18 ft lbs).
- 54. Verify the fuel filter assembly, hoses and adaptor are clean of debris.

- 55. Install the water-in-fuel sensor to the fuel filter.



1871645



4258780

- 56. Install the fuel filter housing assembly. Refer to *Fuel Filter Housing Assembly Replacement* in SI.
- 57. Install the fuel filter.
- 58. Connect the water-in-fuel sensor electrical connector.

59. Prior to installing fuel injection pump replace the Fuel Feed hose on the back of the injection pump. Refer to *Fuel Feed Hose Replacement* in SI.
60. Install the fuel injection pump. Refer to *Fuel Injection Pump Replacement* in SI.

Danger: *Verify that there are no fuel leaks in the fuel system. Failure to identify any leaks could result in no start, stall, vehicle damage, or bodily injury."*

Important: Ensure proper torquing of the fuel injector line. An under-torqued fuel injector line will not seal properly and an over-torqued fuel injector line may damage the fuel injector fitting. An improperly sealed or damaged fuel injector line or fuel injector fitting will cause a fuel leak or result in a No-Start.

Cleaning and Flushing Procedure

1. Clean and flush all fuel chassis lines, filter pipes, and other engine mounted fuel system pipes that are not being replaced.
2. The fuel filter housing must be cleaned with a new fuel filter installed.
3. The fuel tank and fuel sender must be cleaned and flushed.

Note: The Indirect Fuel Injector (Hydrocarbon Injector) and its fuel lines must be purged of air any time it is removed or replaced. Failure to do so may damage the injector. Perform the Diesel Particulate Filter (DPF) Regeneration Enable any time the indirect injector or its fuel lines are opened/removed or replaced. This will force regeneration as soon as conditions allow and will purge any air from the system. Refer to *Diesel Particulate Filter (DPF) Regeneration Enable* in SI.

TIP

After repairs, the following may help with fuel system priming:

- Prime fuel to the fuel filter housing.
- Relieve air by opening the bleed screw at the filter housing.
- Pump the priming ball again until no more air escapes and close the bleed screw.
- Prime until the priming ball is hard.
- There should be at least 10 psi fuel pressure on the fuel system pressure gauge attached to the fuel system service port (Schrader valve).
- Crank the engine for up to 15 seconds.
- Key off for one minute.

Repeat the above steps until the engine starts. It is normal for the engine to start and then stall when the fuel system loses prime. Repeated priming will alleviate this concern.

Important: If the vehicle does not start after the priming procedure has been performed, the most likely cause is that a high pressure line is improperly torqued. Please review each high pressure joint to make sure that they are torqued properly.

Parts Information

Part Number	Description	Qty.	Silverado / Sierra (LML)						Silverado / Sierra (LGH)		Express / Savana (LGH)						
			2011	2012	2013	2014	2015	2016	2011	2012	2010	2011	2012	2013	2014	2015	2016
12664429	FILTER KIT, FUEL	1	X	X	X	X	X	X	X	X		X	X	X	X	X	X
88917036	FILTER, OIL	1	X	X	X	X	X	X	X	X	X	X	X	X	X	X	X
97363570	GASKET, CTR INT MANIF	2	X	X	X	X	X	X	X	X	X	X	X	X	X	X	X
12635466	GASKET, EGR VLV (LOCR A)	2	X	X	X	X	X	X	X	X	X	X	X	X	X	X	X
98062923	GASKET, EGR VLV (LOCR B)	2	X	X	X	X	X	X	X	X	X	X	X	X	X	X	X
97223686	GASKET, ENG COOL THERM HSG	2	X	X	X	X	X	X	X	X	X	X	X	X	X	X	X
15126137	GASKET-EXH MANIF PIPE	1									X	X	X	X	X	X	X
97188685	GASKET, EXH TURBO INL PIPE	2									X	X	X	X	X	X	X
97192618	GASKET, EXH TURBO INL PIPE	2									X	X	X	X	X	X	X
12627897	GASKET-TURBO OIL FEED PIPE	1									X	X	X	X	X	X	X
12637218	GASKET-TURBO OIL RTN PIPE	1									X	X	X	X	X	X	X
12639312	HOSE ASM-FUEL FEED (RH SIDE OF PUMP, W/ BANJ)	1	X	X	X	X	X	X	X	X	X	X	X	X	X	X	X
12639000	HOSE ASM-FUEL RTN	1	X	X	X	X	X	X	X	X	X	X	X	X	X	X	X
12661071	INJECTOR ASM-INDIRECT FUEL	1	X	X	X	X	X	X	X	X	X	X	X	X	X	X	X
12656313	PIPE ASM-FUEL FEED	1	X	X	X	X	X	X	X	X	X	X	X	X	X	X	X
94011618	SEAL, COLD START FUEL FEED VLV (O RING)	1									X	X	X	X	X	X	X
12625100	SEAL, COLD START FUEL FEED VLV (O RING)	1	X	X	X	X	X	X	X	X	X	X	X	X	X	X	X
94036238	SEAL, OIL LVL IND TUBE (O RING)	1									X	X	X	X	X	X	X
94011603	SEAL, THERM BYPASS PIPE (O RING)	1	X	X	X	X	X	X	X	X	X	X	X	X	X	X	X
12670466	PIPE ASM-FUEL HIGH PRESS	1	X	X	X	X	X	X	X	X	X	X	X	X	X	X	X
12641590	SWITCH ASM, ENG FUEL VAC	1									X	X	X	X	X	X	X
12631851	SEAL-TURBO AIR INL ADAP	1	X	X	X	X	X	X	X	X	X	X	X	X	X	X	X
97224993	SENSOR ASM, FUEL TEMP	1							X		X	X	X	X	X	X	X
12676436	SENSOR ASM-WAT IN FUEL IND	1										X	X	X	X	X	X
98065521	GASKET-EGR VLV CLR	1	X	X	X	X	X	X	X	X							
12670460	PIPE ASM-FUEL HIGH PRESS (CYL 2 & 7)	2	X	X	X	X	X	X	X	X							
12670468	PIPE ASM-FUEL HIGH PRESS (CYL 1 & 8)	2	X	X	X	X	X	X	X	X							
12670469	PIPE ASM-FUEL HIGH PRESS (CYL 3 & 6)	2	X	X	X	X	X	X	X	X							
12670471	PIPE ASM-FUEL HIGH PRESS (CYL 4 & 5)	2	X	X	X	X	X	X	X	X							

Warranty Information

For vehicles repaired under the Powertrain coverage, use the following labor operation. Reference the Applicable Warranties section of Investigate Vehicle History (IVH) for coverage information.

Labor Operation	Description	Model	Labor Time
4080558*	Diagnose and Clean/ Repair Complete Fuel System	For all P/U Trucks	15.5 hrs
		For all Vans	21.0 hrs
*This is a unique Labor Operation for bulletin use only.			

Version	
	8
Modified	<p>Released March 31, 2016</p> <p>Revised April 11, 2016 – Updating the Qty. column of the Parts Information table.</p> <p>Revised April 29, 2016 – Updating the Parts Information table.</p> <p>Revised October 26, 2016 – Updating the Parts Information table.</p> <p>Revised February 03, 2017 – Updating the Service Procedure.</p> <p>Revised March 2, 2017 – Updating the Service Procedure.</p> <p>Revised August 19, 2019 - Removed information in regard to turbocharger removal and installation for the p/u trucks, update the labor time for p/u trucks in the Warranty Information section and update the Parts Information section.</p> <p>Revised January 06, 2021 - Updated Service Procedure section and increased Labor Operation Time to 15.5 hrs, Added Danger, Important Statements and Right Side Cooler removal/install to Service procedure.</p>