



# TECHNICAL SERVICE BULLETIN

## 1.5L EcoBoost - Engine Vibration At Idle - Built On Or Before 30-Nov-2019

**20-2215**  
17 September  
2020

### Model:

<b>Ford</b> 2020 Escape	Engine: 1.5L EcoBoost
----------------------------	-----------------------

**Issue:** Some 2020 Escape vehicles equipped with a 1.5L EcoBoost engine and built on or before 30-Nov-2019 may exhibit a vibration at idle. This may be due to the engine mounts. To correct the condition, follow the Service Procedure steps to replace the engine mounts and perform the engine mount neutralization procedure.

**Action:** Follow the Service Procedure steps to correct the condition on vehicles that meet all of the following criteria:

- 2020 Escape built on or before 30-Nov-2019
- 1.5L EcoBoost engine
- Vibration at idle that can be felt in the steering wheel, floor board, driver seat and/or seat track. The customer may report the vibration occurs more frequently when the vehicle is in DRIVE and REVERSE.

### Parts

Part Number		Description	Quantity
LX6Z 6068-L	-	Left Side Trans/Engine Mount (FWD)	1
LX6Z-6068-M	-	Left Side Trans/Engine Mount (AWD)	1
LX6Z-6038-A	-	Right Side Engine Mount (FWD)	1
LX6Z 6038-B	-	Right Side Engine Mount (AWD)	1
JX6Z-6068-AA	-	Roll Restrictor Mount (8F24)	1
LX6Z-6068-A	-	Roll Restrictor Mount (8F35)	1
W520214-S440	Package Contains 2 Pieces, 4 Pieces Required	Right Side Engine Mount Nut	2
W720849-S439	Package Contains 4 Pieces, 2 Pieces Required	Right Side Engine Mount Bolt	1
W719151-S439	Package Contains 4 Pieces, 1 Pieces Required	Roll Restrictor Stud	1
W712449-S439	Package Contains 1 Piece, 3 Pieces Required	Roll Restrictor Bolt	3
W500545-S901	Package Contains 4 Pieces, 3 Pieces Required	Roll Restrictor To Subframe Bolt	1

**Warranty Status:** Eligible under provisions of New Vehicle Limited Warranty (NVLW)/Service Part Warranty (SPW)/Special Service Part (SSP)/Extended Service Plan (ESP) coverage. Limits/policies/prior

approvals are not altered by a TSB. NVLW/SPW/SSP/ESP coverage limits are determined by the identified causal part and verified using the OASIS part coverage tool.

### Labor Times

Description	Operation No.	Time
2020 Escape 1.5L EcoBoost: Replace The Roll Restrictor, Engine And Transmission Mounts, Following The Service Procedure (Do Not Use With Any Other Labor Operations)	202215A	1.9 Hrs.

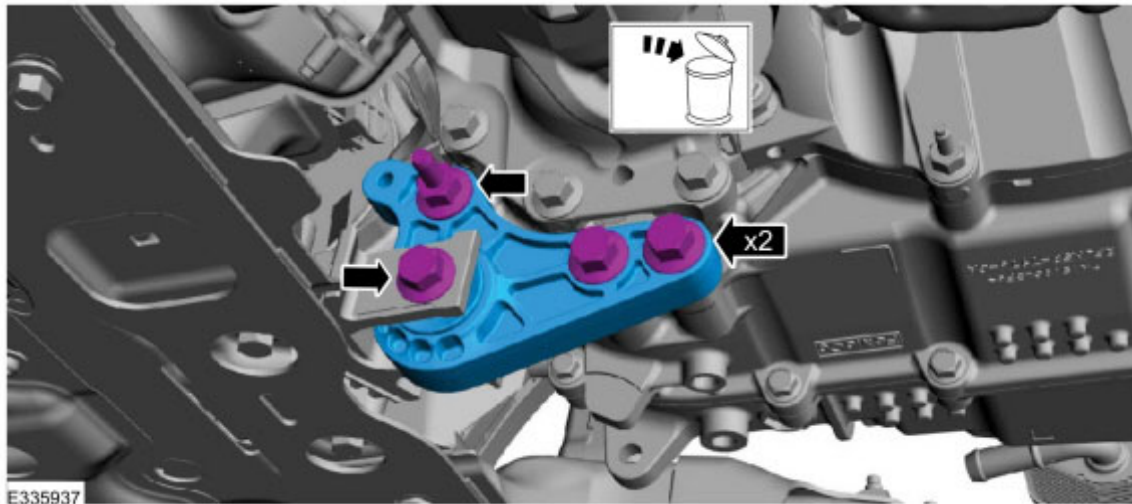
### Repair/Claim Coding

Causal Part:	6068
Condition Code:	42

### Service Procedure

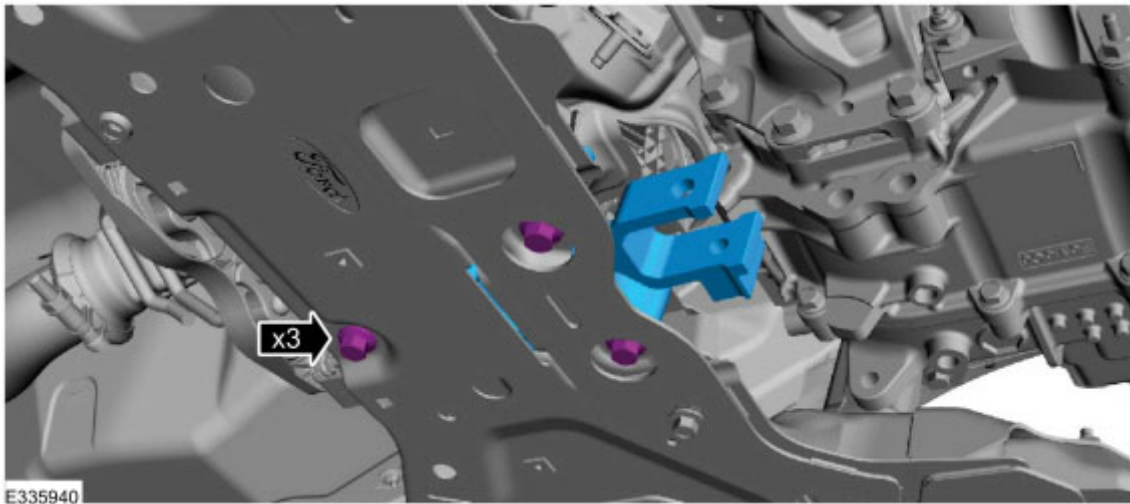
1. Raise the vehicle on a hoist and remove the engine front undershield. Refer to Workshop Manual (WSM), Section 501-02.
2. Remove the nuts, bolts and exhaust support bracket attaching the roll restrictor to the exhaust.
3. Remove and discard the roll restrictor bracket bolts and the powertrain side of the roll restrictor. (Figure 1)

Figure 1



4. Remove and discard the 3 roll restrictor bolts and the roll restrictor. (Figure 2)

Figure 2



**5.** Install the new roll restrictor mount.

(1). Install the roll restrictor mount to the frame and tighten the 3 bolts to 70 Nm (52 lb-ft).

(2). Install the 2 roll restrictor bracket bolts and 1 stud and tighten to 110 Nm (81 lb-ft).

**NOTE: Do not install the bolt attaching the two halves of the roll restrictor at this time.**

**6.** Lower the vehicle.

**7.** Remove and discard the engine mount. Refer to WSM, Section 303-01A.

**8.** If necessary, remove the nuts from the studs and install the studs back onto engine block, tighten studs per WSM before installing mount.

**9.** Install the new engine mount.

(1). Hand-tighten the 2 engine mount-to-frame bolts a minimum of 3 complete thread counts.

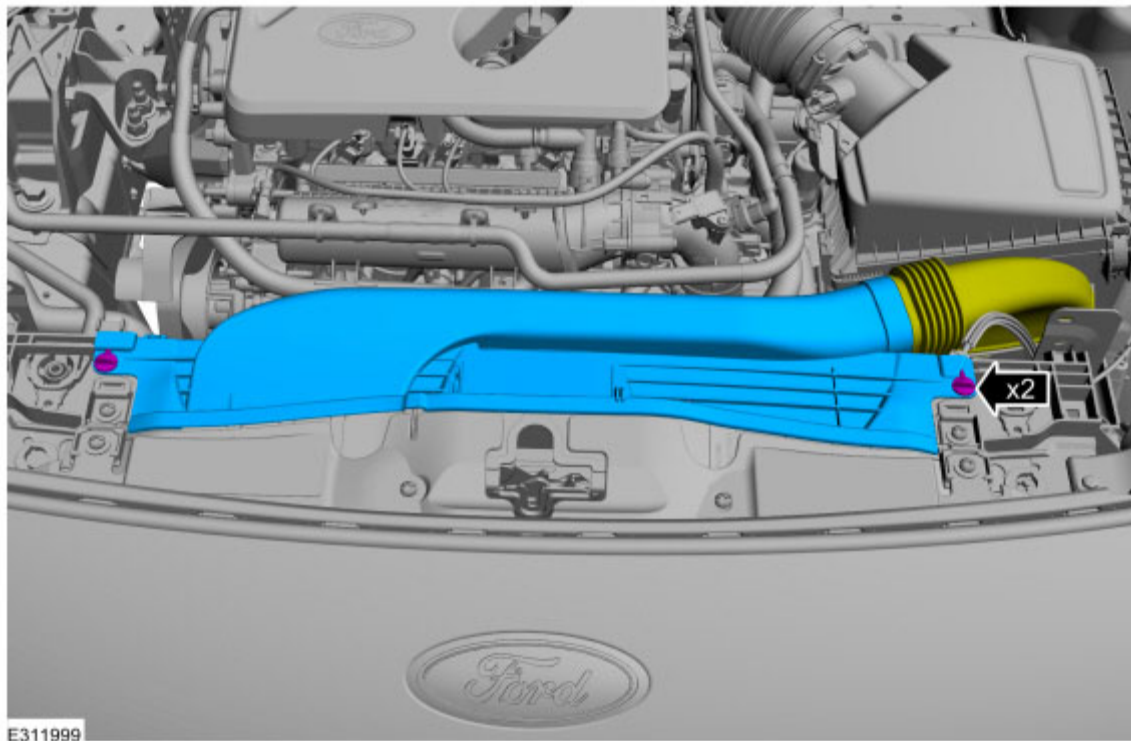
**NOTE: Do not tighten the engine mount to frame bolts at this time.**

(2). Install the 4 engine mount to engine block nuts and tighten to 110 Nm (81 lb-ft).

**10.** Remove the jack and wooden block.

**11.** Remove the air cleaner intake pipe. Refer to WSM, Section 303-12A. (Figure 3)

Figure 3



12. Remove the air cleaner. Refer to WSM, Section 303-12A.
  13. Remove the battery and battery tray. Refer to WSM, Section 414-01.
  14. Position the jack and wooden block under the transmission.
  15. Remove and discard the transmission support insulator.
  16. Install the transmission support insulator.
    - (1). Hand-tighten the 2 transmission support isolator-to-frame bolts a minimum of 3 complete thread counts.
- NOTE: Do not tighten the transmission support isolator to frame bolts at this time.**
- (2). Tighten the 4 transmission side isolator bolts to 175 Nm (129 lb-ft).
  17. Remove the jack and wooden block.
  18. Raise the vehicle on the hoist.
  19. Rock the powertrain back and forth in a front to back motion to neutralize the mounts.
  20. Install the roll restrictor bolt connecting both sides of the roll restrictor mount. Tighten the bolt to 175 Nm (129 lb-ft).
  21. Install the exhaust support bracket, bolts and nuts. Tighten the bolt to 47 Nm (35 lb-ft).
  22. Install the engine front undershield. Refer to WSM, Section 501-02.
  23. Lower the vehicle.
  24. Tighten the right side engine mount to frame bolts to 175 Nm (129 lb-ft).
  25. Install the air conditioning (A/C) line bracket and radiator degas bottle. Refer to WSM, Section 303-01A > Removal & Installation > Engine Mount > Installation Steps 5-7.
  26. Tighten the transmission support isolator to frame bolts.
    - (1). Stage 1, 140 Nm (103 lb-ft).
    - (2). Stage 2, tighten an additional 120 degrees.

- 27.** Install the battery tray and battery. Refer to WSM, Section 414-01.
- 28.** Install the air cleaner. Refer to WSM, Section 303-12A.
- 29.** Install the air cleaner intake pipe. Refer to WSM, Section 303-12A.

---

© 2020 Ford Motor Company

All rights reserved.

NOTE: The information in Technical Service Bulletins is intended for use by trained, professional technicians with the knowledge, tools, and equipment to do the job properly and safely. It informs these technicians of conditions that may occur on some vehicles, or provides information that could assist in proper vehicle service. The procedures should not be performed by "do-it-yourselfers". Do not assume that a condition described affects your car or truck. Contact a Ford or Lincoln dealership to determine whether the Bulletin applies to your vehicle. Warranty Policy and Extended Service Plan documentation determine Warranty and/or Extended Service Plan coverage unless stated otherwise in the TSB article. The information in this Technical Service Bulletin (TSB) was current at the time of printing. Ford Motor Company reserves the right to supersede this information with updates. The most recent information is available through Ford Motor Company's on-line technical resources.