



Preliminary Information

PIT5533C Creak Click Pop Crack Type Noise From Front Suspension/Frame Area While Making Turns

Models

Brand:	Model:	Model Years:	VIN:		Engine:	Transmissions:
			from	to		
Cadillac	Escalade	2015 - 2020	All	All	All	All
Chevrolet	Silverado 1500	2015 - 2018	All	All	All	All
Chevrolet	Silverado LD	2019	All	All	All	All
Chevrolet	Suburban	2015 - 2020	All	All	All	All
Chevrolet	Tahoe	2015 - 2020	All	All	All	All
GMC	Sierra 1500	2015 - 2018	All	All	All	All
GMC	Sierra Limited	2019	All	All	All	All
GMC	Yukon	2015 - 2020	All	All	All	All

Involved Region or Country:	North America
Condition:	Some owners may comment of a creak, click, pop, crack type noise from the front suspension or front frame area while making tight turns. It may also be noted the noise can be felt in the foot well area.
Cause:	It has been found that this type of noise could be caused by either insufficient torque of the front suspension: <ul style="list-style-type: none">- Frame crossmember- Lower control arm bolts

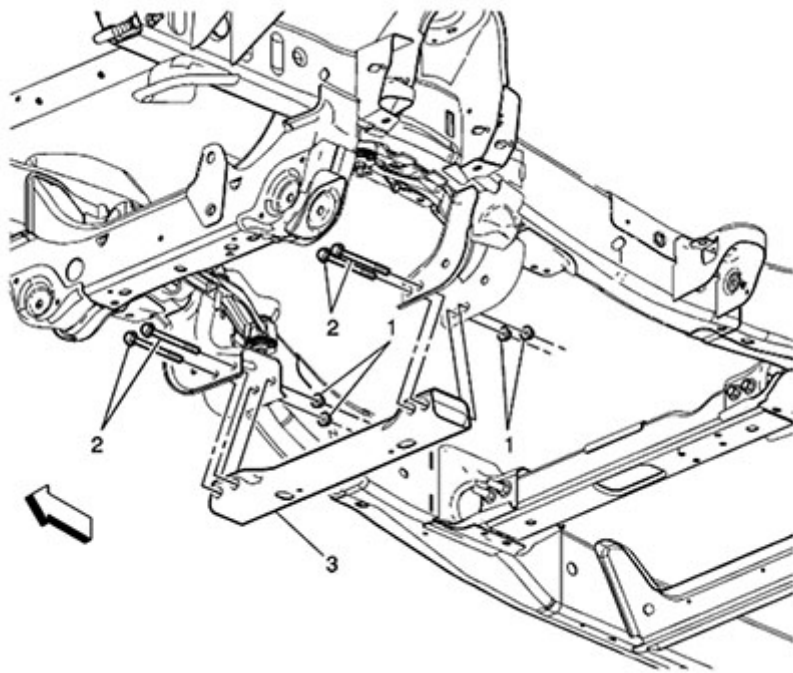
Correction:

Note: When completing the following corrections please document the before and after torque readings on the repair order.

Correction 1

To correct this concern loosen and then re-torque the four front frame crossmember bolts/nuts:

1. **First Pass: 70 Nm (52 lb. ft.)**
2. **Final Pass: 110 degrees**

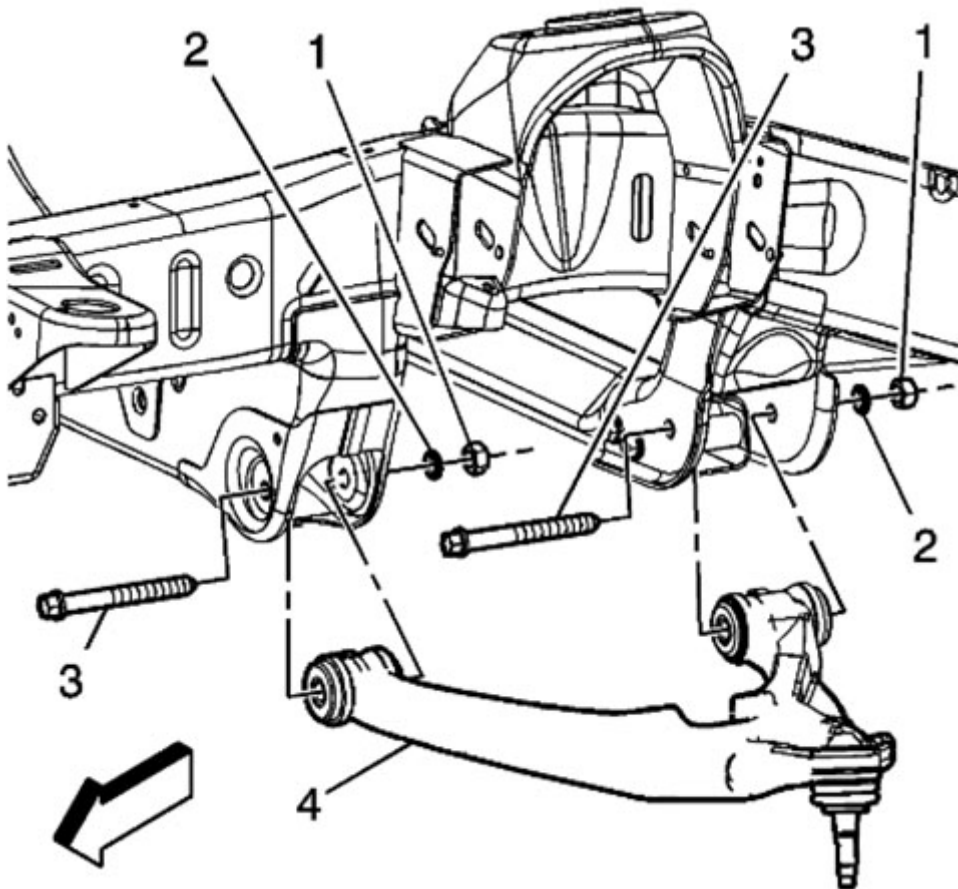


Correction 2

To correct this concern loosen and then re-torque the four front lower control arm mounting bolts/nuts:

Tighten 175 Nm (129 lb. ft.)

IMPORTANT: If the front lower control arms nuts and washers are removed, be aware the washers are directional washers and **MUST** be installed in the same direction as they were removed.



Warranty Information

For vehicles repaired under the Bumper-to-Bumper coverage (Canada Base Warranty coverage), use the following labor operation. Reference the Applicable Warranties section of Investigate Vehicle History (IVH) for coverage information.

Labor Operation:	Description:	Labor Time:
8080358	Re-torque Both The Frame Crossmember And Lower Control Arms Bolts	0.5 Hr.

Additional SI Keywords

creek

Version History

Version	4
Modified	12/05/2016 - Created on 10/02/2017 To update the model year, condition, cause, recommendation and warranty sections, per Peter Joslyn 06/12/2018 Updated models 07/24/2020 Updated model list



© 2020 General Motors. All Rights Reserved.