



Bulletin No.: PIT5757

Published date: N/A

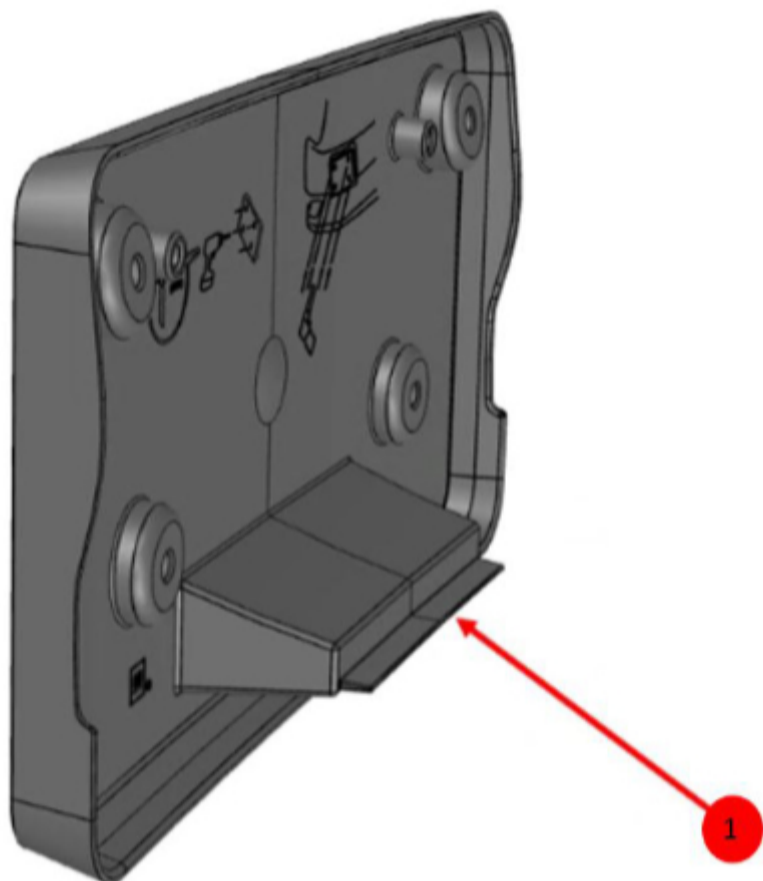
## Preliminary Information

### PIT5757 Front License Plate Bracket Does Not Fit Correctly To The Fascia

#### Models

Brand:	Model:	Model Years:	VIN:		Engine:	Transmissions:
			from	to		
GMC	Yukon Models	2021	All	All	All	All

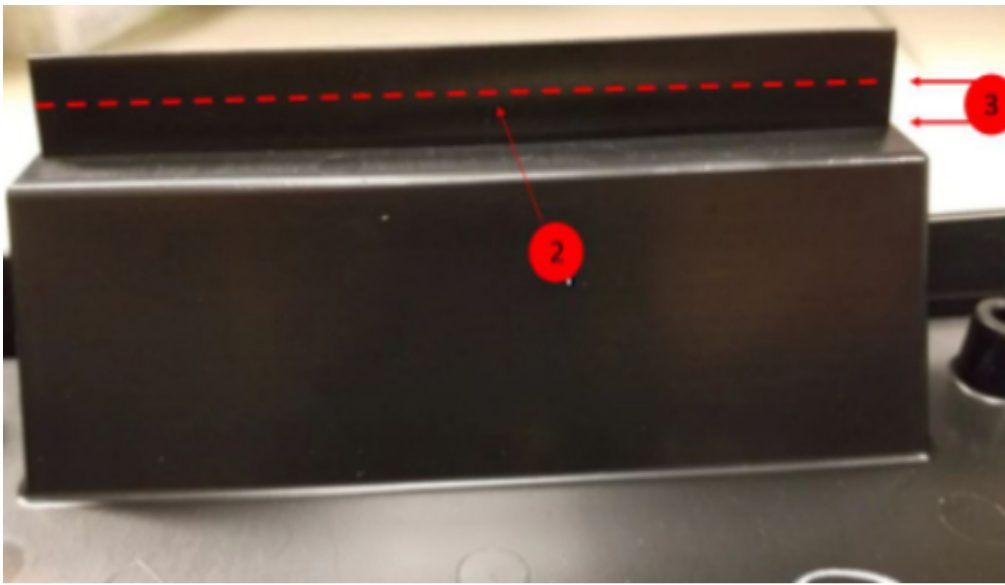
Involved Region or Country	North America
Condition	Some dealerships may notice the front license plate/tag bracket does not fit or mount properly to the front fascia.
Cause	This concern could be caused by the license plate bracket flange (1) incorrectly molded and is too long.



#### Correction:

To correct this concern modify the license plate bracket flange (1) as shown below.

1. Mark a line (2) along the flange a distance of 8.6 mm from the body of the bracket (3).
2. Using a suitable tool cut off the flange along the marked line.



3. When finished the flange will be approximately half its original length (4).
4. Install the license plate bracket to the fascia.



### Warranty Information

For vehicles repaired under the Bumper-to-Bumper coverage (Canada Base Warranty coverage), use the following labor operation. Reference the Applicable Warranties section of Investigate Vehicle History (IVH) for coverage information.

Labor Operation	Description	Labor Time
* 1481358	Trim Front License Plate Bracket Flange	0.3 hr
*This is a unique Labor Operation for Bulletin use only.		

### Version History

Version	1
Modified	07/10/2020 - Created on.



GENERAL MOTORS

© 2020 General Motors. All Rights Reserved.