

**ATTENTION:**

- GENERAL MANAGER
- PARTS MANAGER
- CLAIMS PERSONNEL
- SERVICE MANAGER

IMPORTANT - All Service Personnel Should Read and Initial in the boxes provided, right.


© 2020 Subaru of America, Inc. All rights reserved.



QUALITY DRIVEN® SERVICE

**SERVICE INFORMATION BULLETIN**

**APPLICABILITY:** 2015-19MY Legacy and Outback  
 2017-18MY Forester  
 2017-20MY Impreza  
 2018-20MY Crosstrek  
 2015-20MY WRX  
 2017-20MY BRZ

**NUMBER:** 07-171-20  
**DATE:** 03/06/20

**SUBJECT:** Battery Sensor Removal and Installation Precautions

**INTRODUCTION:**

This Service Information Bulletin is in response to several battery sensor replacements resulting from improper removal and / or installation practices. Some common mistakes related to battery sensor removal and / or installation are:

- Removing the sensor from the battery post instead of removing the ground cable from the sensor
- Not fully cleaning and de-greasing the battery post and the sensor’s ground cable connection point before reinstalling the sensor
- Not properly supporting and holding the sensor in place with one hand while removing or installing it or the battery ground cable
- Twisting the sensor when installing onto the battery post instead of pushing it straight down
- Over-torqueing the 10 mm hex nut on the battery post clamp portion of the sensor. This happens when the sensor is not fully installed onto the battery post. Over-torqueing the nut can distort and damage the sensor.
- The threaded end of the clamp bolt is crimped. If the 10 mm nut is loosened too far, the threads of both the nut and bolt can become damaged and the clamp portion distorted.

**CAUTION: VEHICLE SERVICING PERFORMED BY UNTRAINED PERSONS COULD RESULT IN SERIOUS INJURY TO THOSE PERSONS OR TO OTHERS.**

Subaru Service Bulletins are intended for use by professional technicians ONLY. They are written to inform those technicians of conditions that may occur in some vehicles, or to provide information that could assist in the proper servicing of the vehicle. Properly trained technicians have the equipment, tools, safety instructions, and know-how to do the job correctly and safely. If a condition is described, DO NOT assume that this Service Bulletin applies to your vehicle, or that your vehicle will have that condition.

**Subaru of America, Inc. is ISO 14001 Compliant**

ISO 14001 is the international standard for excellence in Environmental Management Systems. Please recycle or dispose of automotive products in a manner that is friendly to our environment and in accordance with all local, state and federal laws and regulations.

*Continued...*

## PART INFORMATION:

This information is applicable to the battery sensors listed in the table below.

Description	Part Number	Application
SENSOR-BATTERY	29182AA01B	Legacy & Outback
	29182AA05C	Impreza
	29182AA032	Crosstrek
	29182AA011	Forester, WRX & BRZ

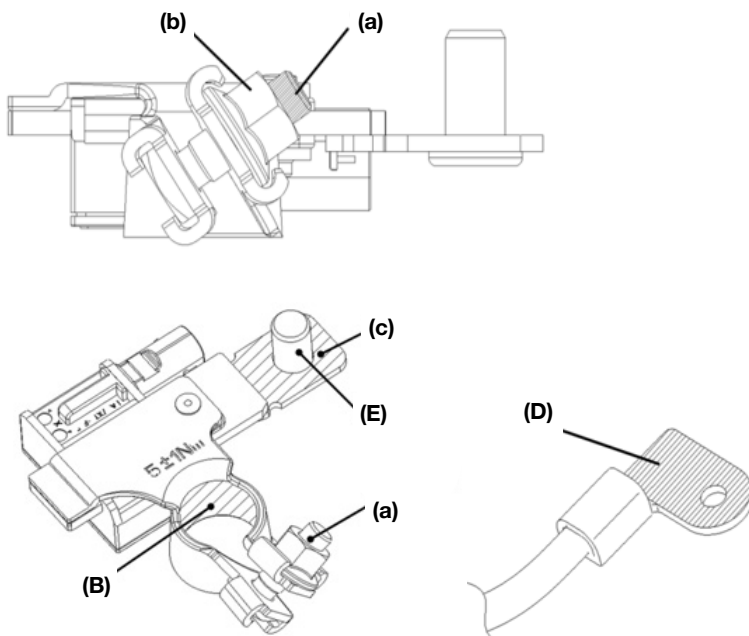
**REMINDER:** If battery sensor replacement is necessary, always order the most up-to-date replacement parts based on the specific VIN being repaired.

## SERVICE PROCEDURE / INFORMATION:

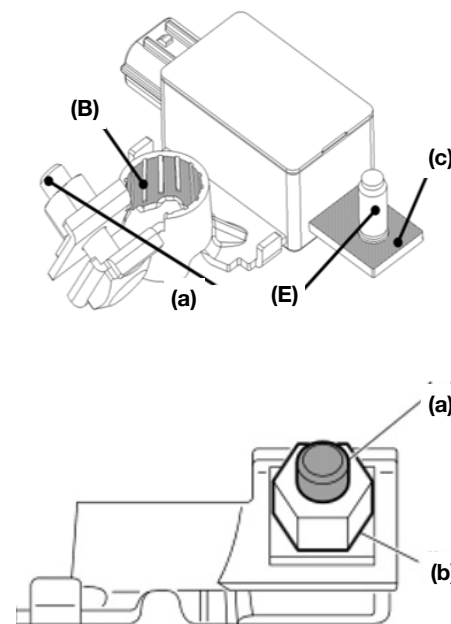
**REMINDER:** Customer satisfaction and retention starts with performing quality repairs.

**IMPORTANT NOTE:** The Service Manuals for some of the models not applicable to this bulletin have already been updated with these revised procedures: 2019MY Forester along with 2020MY Legacy, Outback and 2020MY Ascent. The remainder of the affected vehicle Service Manuals will be updated in the near future.

### LEGACY/OUTBACK/FORESTER/WRX/ BRZ



### IMPREZA/CROSSTREK (Except Plug-in Hybrid)



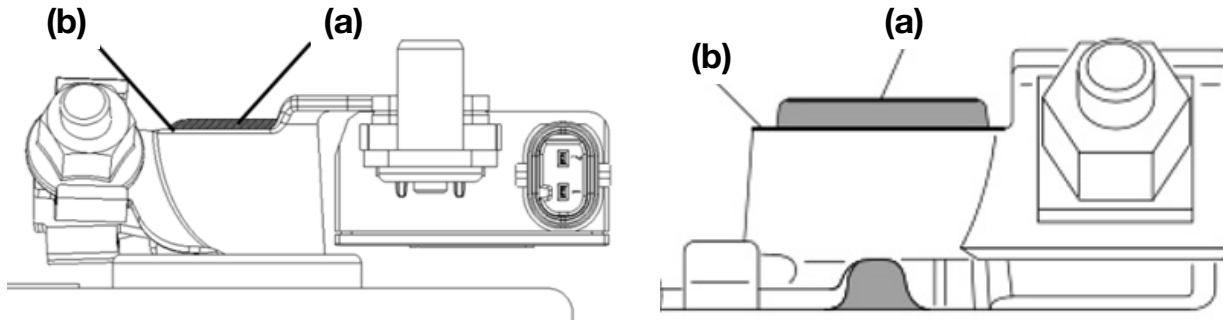
### REMOVAL:

- Disconnect the sensor harness connector.
- While supporting and holding the sensor in place with one hand, remove the 12 mm hex nut from (c) and disconnect the ground cable (D) from the sensor stud (E). Loosen but **DO NOT REMOVE** the 10 mm hex nut from the clamping bolt. **REMINDER:** The threaded end of the clamp bolt (a) is crimped. If the 10 mm nut (b) is loosened too far, the threads of both the nut and bolt can become damaged and the clamp portion distorted.
- **CAREFULLY** clean any grease from the battery post, inside the clamping portion (B) and the ground cable connection (C) using a mild solvent on a clean shop cloth.

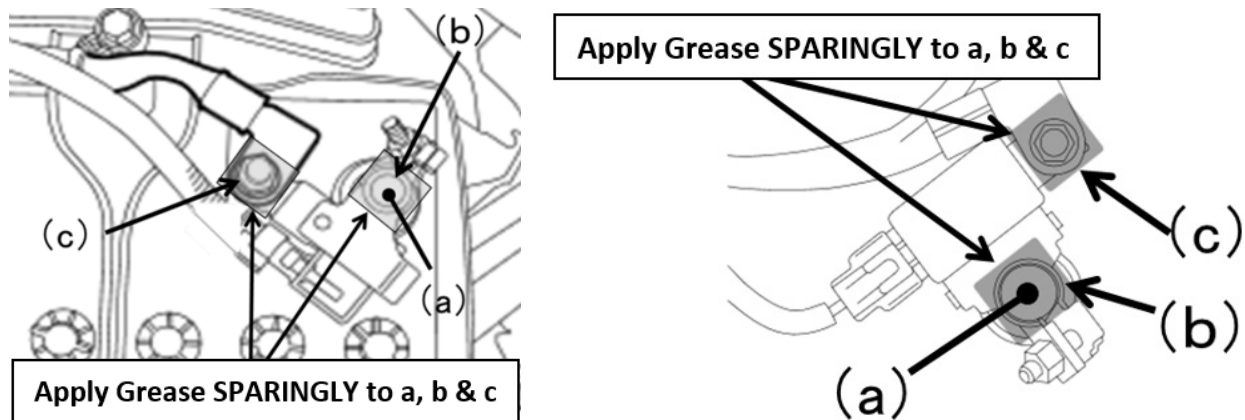
*Continued...*

## INSTALLATION:

- After confirming the sensor is in the proper position, **CAREFULLY** refit the sensor to the battery post by pressing lightly and straight down. **NEVER** twist the sensor onto the battery post. If necessary, loosen the clamping nut a bit further. The post will protrude above the clamping portion of the sensor slightly when all the way down on the post properly as shown below; (a) is the battery post protrusion above the top edge of the clamping portion (b).



- While supporting and holding the sensor in place with one hand, torque the 10 mm hex nut on the clamping portion to 6.0 Nm (4.4 ft. lbs.). Install the ground cable to the stud on the sensor and while holding the sensor in place with one hand, torque the 12 mm hex nut to 7.5 Nm (5.5 ft. lbs.) It is **CRITICAL** to not over-torque this nut as doing so will damage the battery sensor.
- Apply a **small** amount of white lithium grease sparingly to the top of the battery post and the clamping portion along with the ground cable connection point as shown below.



- Re-connect the battery sensor harness connector to complete the procedure.

## IMPORTANT REMINDERS:

- SOA strongly discourages the printing and/or local storage of service information as previously released information and electronic publications may be updated at any time.
- Always check for any open recalls or campaigns anytime a vehicle is in for servicing.
- Always refer to STIS for the latest service information before performing any repairs.