



Service Bulletin

Bulletin No.: 17-NA-394

Date: August, 2019

TECHNICAL

Subject: Squeak, Clunking Type Noise Heard From Rear of Vehicle

Brand:	Model:	Model Year:		VIN:		Engine:	Transmission:
		from	to	from	to		
Chevrolet	Colorado	2015	2019	SOP	Prior to 1GCGSCEN6K1241170	All	All
GMC	Canyon	2015	2019	SOP	Prior to 1GTG5CEN8K1239279		

Involved Region or Country	North America and NA Export vehicles
Condition 1	Some customers may comment on a squeak type noise heard from the rear of the vehicle. Upon further investigation, the technician may diagnose the noise is coming from the rear suspension leaf spring area.
Condition 2	Some customers may comment on a clunking type noise heard from the rear of the vehicle. Upon further investigation, the technician may diagnose the noise is coming from the rear suspension leaf spring area.
Cause	These conditions may due to debris getting between the leaf springs.
Correction 1	Install new leaf spring inserts following the procedure below.
Correction 2	Re-torque the joints of the leaf spring assembly following the procedure below.

Service Procedure (Condition 1)

Prior to performing this bulletin, follow the procedure for Noise Diagnosis - Rear Suspension in SI to determine the source of the noise. Jounce the rear of the vehicle utilizing *J 39570* Chassis Ear or equivalent, to aid in locating the source of the noise.

If necessary, road test the vehicle.

1. Raise the vehicle on a frame lift-type hoist. Refer to *Lifting and Jacking the Vehicle*, in SI.
2. Inspect the springs for damage.
 - If damage has been found, refer to *Rear Leaf Spring Replacement*, in SI.
 - If damage has NOT been found, proceed to the next step.



5341853

3. Install new Rear Leaf Spring Inserts using the following procedure:



5358883

Caution: Do NOT damage the finish on Leaf Springs.

- 3.1. On the spring assembly, insert a plastic trim tool or plastic wedge in between the #1 and #2 leaf springs, to access the old insert.



3.2. Push up on insert until it hits the bottom of the spring above it. Then use a suitable cutting tool to cut the stem off from the insert.

5341855



3.3. Remove the top portion of the insert, and then remove the bottom portion of the remaining stem.

5341856



3.4. Using a rag and degreaser, clean any dirt or grease from between the leaf springs at the insert location

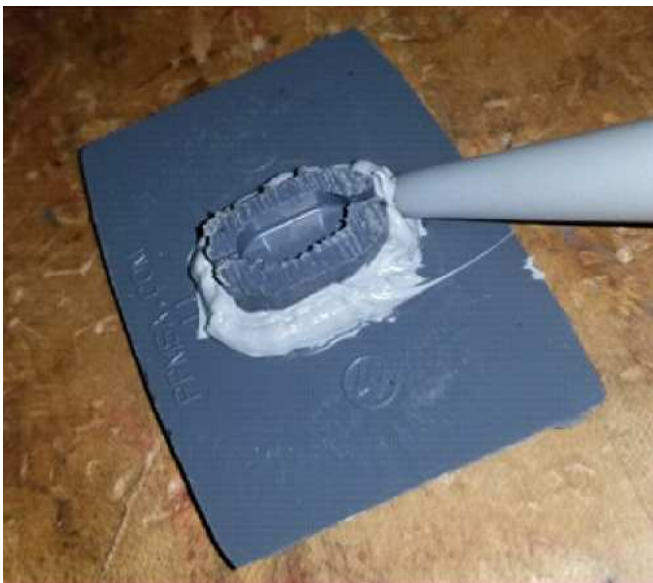
5341857



5341859

Caution: Do NOT damage the surface of the new insert when trimming.

- 3.5. Cut the stem of the new insert with a hacksaw or suitable cutting tool. Make sure to leave 6 mm (0.240 in) of the stem.



5341861

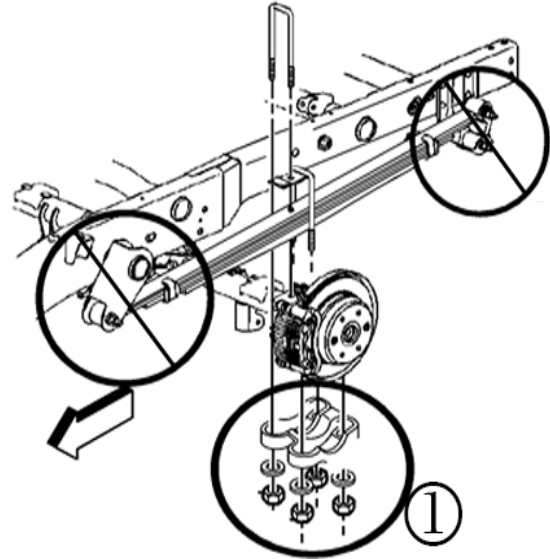
- 3.6. Apply a small amount of RTV sealer around the remaining portion of the stem.
- 3.7. Install the new insert into the leaf spring. Make sure the stem portion lines up with the slot in the spring. Remove the plastic trim tool or plastic wedge to close the spring and seat the new insert.
4. Repeat step #3 for the 7 remaining inserts.
5. Lower the vehicle to the ground and test drive to verify the repair.

Important: If the Service Procedure for Condition 1 fixes the squeak, **DO NOT** proceed to Service Procedure (Condition 2).

Service Procedure (Condition 2)

1. Support the vehicle at curb height when re-torquing the leaf spring U-bolt nuts.

Note: **DO NOT** remove the fuel tank.



4966874

2. Loosen the left leaf spring anchor plate U-bolts (1).
3. Re-torque the anchor plate U-bolts (1). Refer to SI for torque specifications.
4. Repeat steps 2 and 3 for the right side leaf spring.
5. Re-test the vehicle for the same clunking noise. If the issue remains, follow the regular repair procedure.

Parts Information

Causal Part	Description	Part Number	Qty
N/A*	Leaf Spring Insert	84730971	8
	RTV Sealer	88864346 (In Canada, 88861418)	1

*For warranty transactions, **DO NOT** mark this/these parts as the Causal Part. Enter the word "Bulletin" in the Causal Part Description free-flow text field.

Warranty Information

For vehicles repaired under the Bumper-to-Bumper coverage (Canada Base Warranty coverage), use the following labor operation. Reference the Applicable Warranties section of Investigate Vehicle History (IVH) for coverage information.

Labor Operation	Description	Labor Time
8080508*	Rear Leaf Spring Insert Replacement (Condition 1)	0.5 hr.
8080398*	Retorque Bolts / Road Test (Condition 2)	0.6 hr.

*This is a unique Labor Operation for Bulletin use only.

Version	5
Modified	<p>Released December 08, 2017</p> <p>Revised February 09, 2018 – Updated steps for Service Procedure (Condition 2) and Warranty Information (Condition 2).</p> <p>Revised February 13, 2018 – Updated the Warranty Information (Condition 2).</p> <p>Revised July 11, 2018 – Added 2018–2019 model years.</p> <p>Revised August 06, 2019 – Updated Procedure, Parts and Warranty Information for Spring Insert Replacement.</p>

