

AWNINGS

Introduction

The intent of this document is to provide instructions on how to remove a KZ Solera Smart Arm and replace it with a Power Awning arm.

Safety

WARNING

The "WARNING" symbol above is a sign that the installation procedure has a safety risk involved and may cause death, serious personal injury, product or property damage if not performed safely and within parameters set forth in this manual.

CAUTION

Always wear eye protection when performing service or maintenance to the trailer. Other safety equipment to consider would be hearing protection, gloves and possibly a full face shield, depending on the nature of the service.

CAUTION

Moving parts can pinch, crush or cut. Keep clear and use caution.

Parts Required

Black:

- 802439 - Awning Arm - Smart Arm to Power Arm 63 inch, With Power Feed, AM Kit, Black (for a 63" arm)
- 802440 - Awning Arm - Smart Arm to Power Arm 69 inch, With Power Feed, AM Kit, Black (for a 69" arm)

White:

- 802534 - Awning Arm - Smart Arm to Power Arm 63 inch, With Power Feed, AM Kit, White, (for a 63" arm)
- 802535 - Awning Arm - Smart Arm to Power Arm 69 inch, With Power Feed, AM Kit, White (for a 69" arm)

Resources Required

- 1-2 People, depending on task
- Cordless or electric drill or screw gun
- Appropriate drive bits
- Cordless drill battery
- Zip ties
- Screwdriver
- Wire cutters/Strippers
- Wire caps
- Silicone sealant or tape

Instructions

NOTE: This manual will refer to the "drive side" and "idler side" throughout for various instructions. The "drive side" is the right hand side of the awning when facing the awning from the exterior of the unit. The "idler side" is the left hand side of the awning when facing the awning from the exterior of the unit.

Smart Arm Removal

1. Open the awning completely.
2. Disconnect power to the awning.

NOTE: Make sure to mark which wires are connected to the light switch, the motor switch and which are constant power.

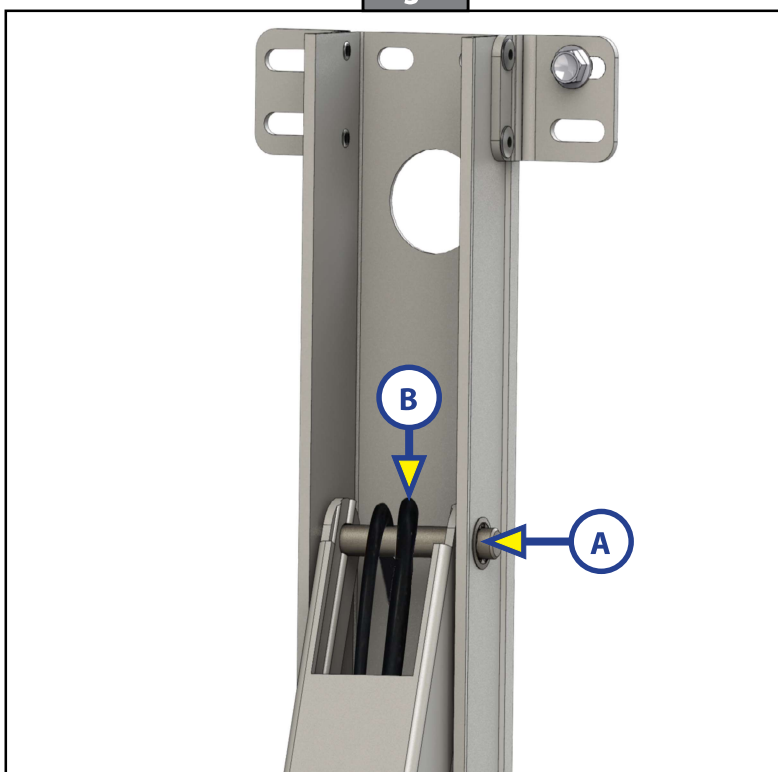
3. Cap off the constant power wire so it does not blow a fuse.
4. Remove the wires from the wall and check the light wire coming out of the unit. Make sure it has a ground wire that is capped off, while the power wire is connected to the green wire for the light. The light wire from the unit will be attached to the green wire in the Smart Arm controller. If no ground wire is present, use the ground wire from the constant power wire to connect the new arm.
5. Remove the wire cover, connector small wire cover, snap clip and Smart Arm controller to access the lag bolts that secure the awning arm to the unit wall. Remove the lag bolts in the bottom and middle of the arm. Retain the lag bolts for later use.

NOTE: In some instances pop rivets may have been utilized. These fasteners will need to be replaced.

6. Locate the pin (Fig. 1A) at the top of the mount arm and cut the larger of the two black wires (Fig. 1B), which runs into the bottom of the motor mount/head. Then pull the wire out of the inner arm.

NOTE: The large black wire will contain two reverse polarity wires.

Fig. 1



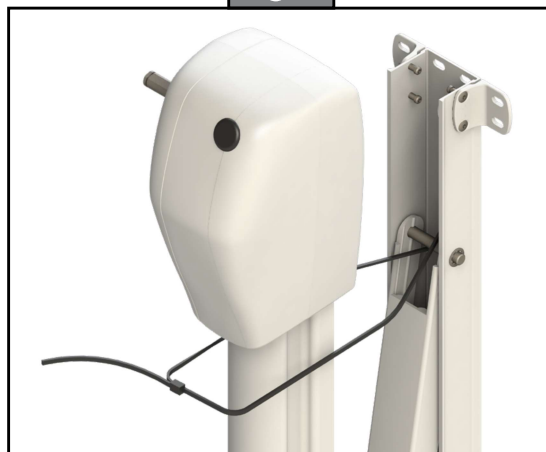
7. Take the cut wire and connect it to the cordless drill battery (+) and (-) terminals to start retracting the awning. Stop when it is about a foot from being fully retracted.

NOTE: If awning opens instead of retracting, reverse the wires on the cordless drill battery terminals.

AWNINGS

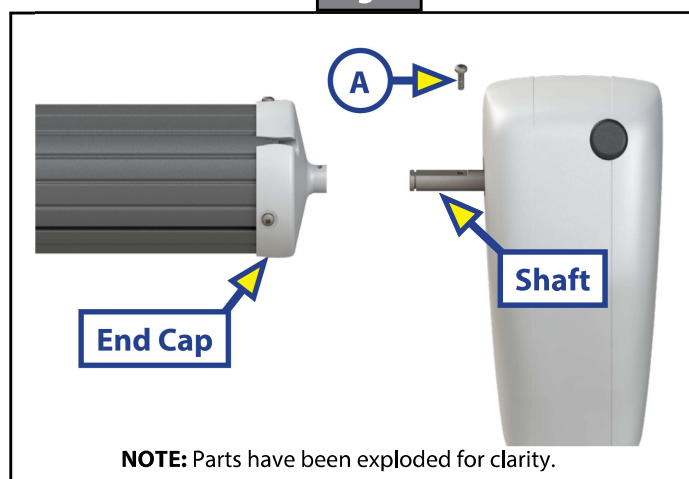
8. Secure the arm so it will not kick open by tying a zip tie around the pin in the top of the wall mount and going around the outer arm, right below the head assembly (Fig. 2). Repeat this process for the idler side.

Fig. 2



9. At the drive side, have someone hold the roll tube, then remove the wax screw (Fig. 3A) that secures the end cap to the shaft coming out of the motor head. Retain the wax screw for later use.

Fig. 3



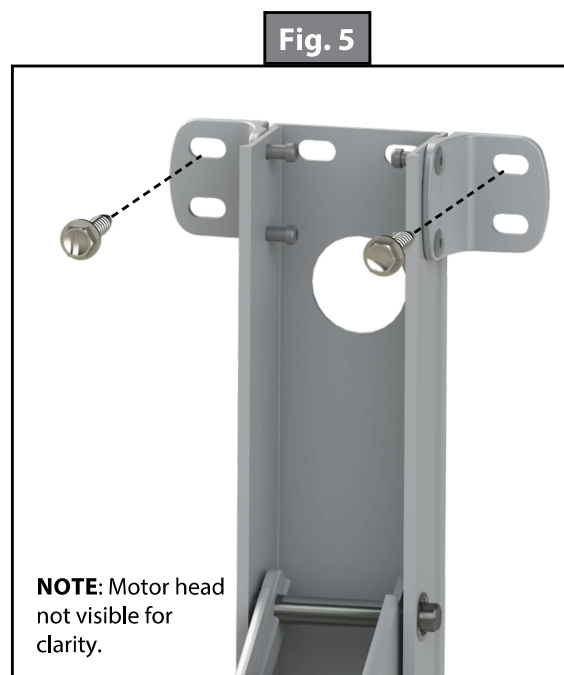
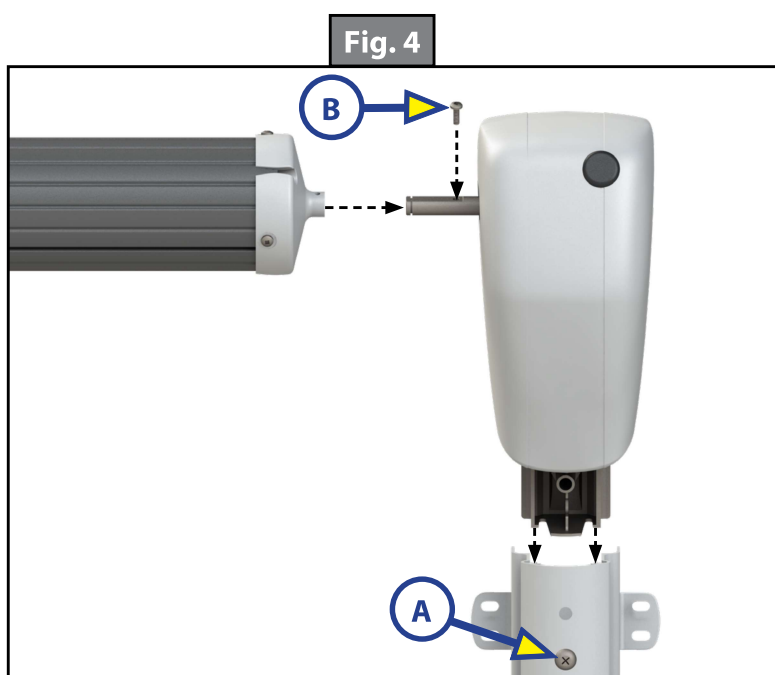
10. Remove the lag bolts that secure the Smart Arm to the unit at the top. The arm can now be removed from the unit. Retain the lag bolts for later use.
11. Lay the Smart Arm on a safe work area and install a second zip tie in the middle of the arm to ensure it will not come open while the motor head is being removed.
12. Remove the Phillips head bolt holding the motor head to the mount arm. Retain bolt for later use.
13. Disconnect the power wires from the motor.

AWNINGS

Power Awning Arm Installation

1. Install the motor head onto the new Power Awning arm by first connecting the motor power wires from the new arm into the motor.
2. Tuck the motor power wires down inside the motor mount so they will not get pinched, then slide the motor mount into the new Power Awning arm and secure it with the Phillips head bolt (Fig. 4A) that was removed in step 12 of the Smart Arm Removal.
3. Slide the shaft from the new motor arm into the end cap of the roll tube and secure it with the wax screw (Fig. 4B) that was removed from the original mount arm.

NOTE: Keep the head of the wax screw $\frac{1}{8}$ " from being fastened to avoid compromising the structural integrity of the wax screw.



4. Pull the wires from the unit through the mount arm. These wires may be located at the bottom or the top of the mount arm.

NOTE: If the wire connection is a top connection, pull the motor power wire up from the bottom of the arm and cut to length.

5. Secure the top of the new Power Awning arm to the wall of the unit with two of the retained lag bolts (Fig. 5).
6. Connect the motor power wire to the interior operating switch.

CAUTION

Hold the outer arm when cutting the zip ties, so it does not open too quickly.

7. Cut the zip tie holding the Power Awning arm closed.
8. Cut the zip tie holding the idler arm closed.
9. Connect the motor power wire from the motor to the cordless drill battery (+) and (-) terminals then run the awning open to perform the rest of the procedure.

NOTE: If awning retracts instead of opening, reverse the wires on the cordless drill battery terminals.



AWNINGS

10. Finish securing the Power Awning arm to the unit with the retained lag bolts—with two bolts in the middle of the arm and two bolts at the bottom.

NOTE: New rivets may be needed to replace those previously removed.

NOTE: Check the manual rocker switch for normal operation. If the awning is running in reverse of what the switch indicates, reverse the wires.

NOTE: To prevent pinching wires, make sure all the wires are routed on the outside of the pin that secures the pitch arm to the mount arm.

11. Connect the light wire to the light switch, making sure the red wire goes to the power wire from the switch. The black wire from the light should go to the ground coming from the switch.

NOTE: If there is no ground wire, the ground wire from the constant power feed that was capped off in step 6 of the Smart Arm Removal section can be used.

12. Seal all lag bolts and the hole where the wires come out of the unit with silicone sealant or tape.

As a supplier of components to the RV industry, safety, education and customer satisfaction are our primary concerns. Should you have any questions, please do not hesitate to contact us at (574) 537-8900 or by email at customerservice@lci1.com. Self-help tips, technical documents, product videos and a training class schedule are available at lci1.com or by downloading the MyLCI app.