



---

## **FIELD SERVICE CAMPAIGN – 19101**

20 June 2019

---

### **SUBJECT:**

Evaporative Emission Label

### **MODELS INVOLVED:**

IC Bus® CE school bus models built 18 January 2018 through 18 February 2019 with PSI gasoline or propane engine.

### **DEFECT DESCRIPTION:**

The required Evaporative Emissions label may have been printed with an incorrect engine family and / or model year for the engine installed at the time of manufacture.

### **ELIGIBILITY:**

This procedure applies ONLY to vehicles marked in the International® Service Portal<sup>SM</sup> with FSC 19101. Also complete any other open campaigns listed on the Service Portal at this time.

### **TOOLS REQUIRED:**

No special tools required.

### **PARTS REQUIRED:**

**NOTE: The Evaporative Emission labels will be shipped at no cost to your dealership only for stock units in your inventory. All other labels will be shipped directly to vehicle owners.**

**NOTE: The Evaporative Emission labels are VIN specific, if you have more than one replacement label, verify installation of each label to the correct bus.**

## WORK INSTRUCTIONS

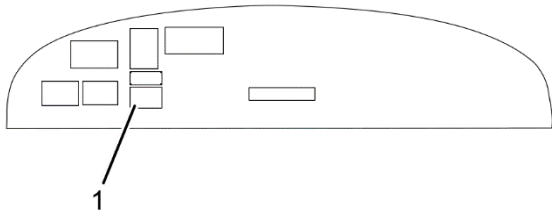
**GOVERNMENT REGULATION:** Engine fluid (oil, fuel, and coolant) may be a hazard to human health and the environment. Handle all fluid and other contaminated materials (such as filters and rags) in accordance with applicable regulations. Recycle or dispose of engine fluids, filters, and other contaminated materials according to applicable regulations.

**WARNING!** To prevent personal injury, and / or death, or damage to property, park vehicle on hard flat surface, turn the engine off, set the parking brake, and install wheel chocks in front of and behind to prevent the vehicle from moving in both directions.

**WARNING!** To prevent personal injury and / or death, always wear safe eye protection when performing vehicle maintenance.

**WARNING!** To prevent personal injury, and / or death, or damage to property, keep flames, sparks or other heat sources away from vehicle and do not smoke while servicing the vehicle's batteries. Batteries expel gases which may cause an explosion resulting in personal injury / death, or damage to property, avoid contact with any heat source.

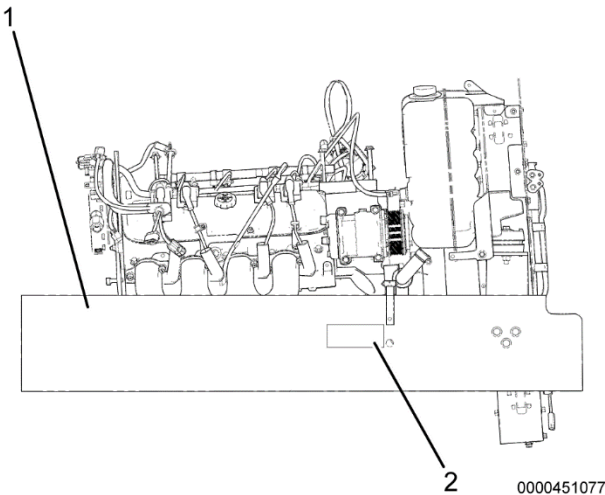
1. Park vehicle on flat surface.
2. Shift transmission into Park or Neutral and set parking brake.
3. Turn vehicle ignition to Key OFF position.
4. Install wheel chocks.



0000451078

**Figure 1. Bulkhead**

1. Evaporative Emissions label
5. Locate Evaporative Emissions label (Figure 1, Item 1) on bulkhead.
  - a. If Evaporative Emissions label is found on bulkhead, proceed to Step 8.
  - b. If no Evaporative Emissions label is found on bulkhead, proceed to Step 6.
6. Unlatch and open hood.



0000451077

**Figure 2. Passenger-Side Frame Rail**

1. Passenger-side frame rail
2. Evaporative Emissions label
7. Locate Evaporative Emissions label (Figure 2, Item 2) on passenger-side frame rail (Figure 2, Item 1).

8. Remove existing label from bulkhead or frame of vehicle.

**NOTE: The body surface where the new label and clear laminate will be bonded must be free of grease, oil and other foreign material.**

9. Clean surface and surrounding area with a clean cloth soaked with isopropyl alcohol where label was removed; allow sufficient time for isopropyl alcohol to dry.

**NOTE: The label and clear laminate is most easily handled when air and application surface temperatures are between 70-90°F (21-31°C). For applications below 70°F (21°C), use a heat lamp or heat gun to warm the label, clear laminate and surfaces where the label and clear laminate is to be applied.**

10. Lay new Evaporative Emissions label face down on a flat surface and remove backing.

11. Place new label directly over original label location and smooth out all ripples using a squeegee or roller.

12. Lay clear laminate face down on a flat surface and remove backing.

13. Place clear laminate directly over new label and smooth out all ripples using a squeegee or roller.

14. If necessary, close and latch hood.

15. Remove wheel chocks.

## LABOR INFORMATION

Operation number must appear on all claims.

Operation Number	Description	Time
A40-19101-1	Install Evaporative Emission Label and Laminate	0.2 hr

**Table 1** Labor Information

## WARRANTY CLAIMS

Warranty claim expense is to be charged to Warranty. Claims are to be submitted in the normal manner, making reference to Field Service Campaign 19101.

Section 7 of the Warranty Policy and Procedures Manual contains further information related to the submission and processing of AFC / Recall claims.

As with all claim submissions, items acquired locally must be submitted in the “Other Charges” tab. The cost of any bulk items (such as a bag of cable tie straps, roll of wire, barrel of oil, or tube of silicone) should be prorated for the cost of the individual pieces / amount used during each repair.

To make sure this important improvement is made in a timely manner, all claims for 19101 activity must be submitted by 20 June 2020 or within the normal warranty period for the component, if after 20 June 2020.

	GROUP	NOUN	C	WARR.	TP	PAD
GROUP — Enter number						
NOUN — Leave blank						
C (CAUSE) — Enter either 1, 2, 3. (See below)						
1. Inspected (No repair required).						
2. Inspected and repaired.						
3. Defective part from parts stock.						
WARRANTY — (Warranty Code) Enter 40.						
TYPE PART — Enter P for type part causing failure.						
PAD — Enter 100						

0000047910