



Technical Journal

TITLE:

Panoramic roof hard to open/close

REF NO: TJ 34477.1.0	ISSUING DEPARTMENT: Technical Service	CAR MARKET: United States and Canada	
PARTNER: 3 US 7510 Volvo Car USA		ISSUE DATE: 2019-05-15	STATUS DATE: 2019-05-28
FUNC GROUP: 8360	FUNC DESC: Roof hatch	Page 1 of 8	

“Right first time in Time”

Attachment

File Name	File Size
Damaged Harness.PNG	1.1869 MB
Harness I.PNG	1.2168 MB
Harness II.PNG	1.7386 MB
Harness III.PNG	1.2098 MB
TJI-516847-1_1_0_en-US.pdf	1.1585 MB

Vehicle Type

Type	Eng	Eng Desc	Sales	Body	Gear	Steer	Model Year	Plant	Chassis range	Struc Week Range
238							2018-9999		0085751-0999999	201823-999952

CSC Customer Symptom Codes

Code	Description
SC	Sun/moon/convertible roof/Hard/impossible to open/close

VST Operation Number

VST Operation Number	Description
98727-2	Panoramic roof repair acc. to TJ34477
99400-2	Calibration / Initiation Roof hatch
83701-2	Electric motor / sun roof module (SRM), calibration
99921-2	Electric motor roof hatch



DTC Diagnostic Trouble Codes

Text

DESCRIPTION:

If the vehicle shows symptom of hard to open or close the panoramic roof, please follow instruction under "Service".

SERVICE:

A) If it is found hard to open or close the panorama roof, start the diagnosis by calibrating of the panoramic roof using method described in VIDA.

(If it does not work go to step B)

B) Check the routing of the sunroof harness located in the right front corner [Harness I.PNG](#), if it's routed according to [Harness II.PNG](#), check if the harness is damaged as shown in [Damaged Harness.PNG](#). The damaged harness should be repaired with spare parts according to VIDA (VCC-389589-2). After the wiring repair, reroute the harness correctly [Harness III.PNG](#).

(if the wiring is ok go to step C)

C) Replace the Sunroof motor.

VEHICLE REPORT:

Yes, please submit a Vehicle Report if the service solution described in this TJ has no effect. Use concern area "Vehicle Report" and sub concern area "Support not needed", use function group 8360.

To view TJ attachments continue to next page. This TJ has 5 attachments.



TJ 34477



TJ 34477



TJ 34477



TJ 34477



Volvo Car Customer Service

TJ Instruction VCC-516847-1

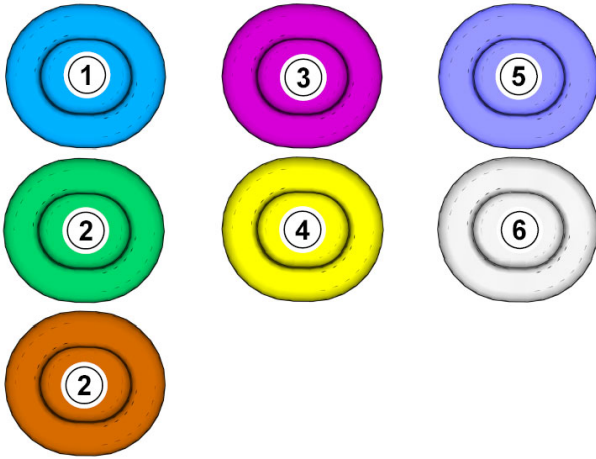
Title	Sun roof	Page	1 (4)
Action	Inspection	Operation number:	99921-2 98727-2 99400-2 83701-2

Issue	Date	Reason
1	2019-04	First issue

Affected vehicles

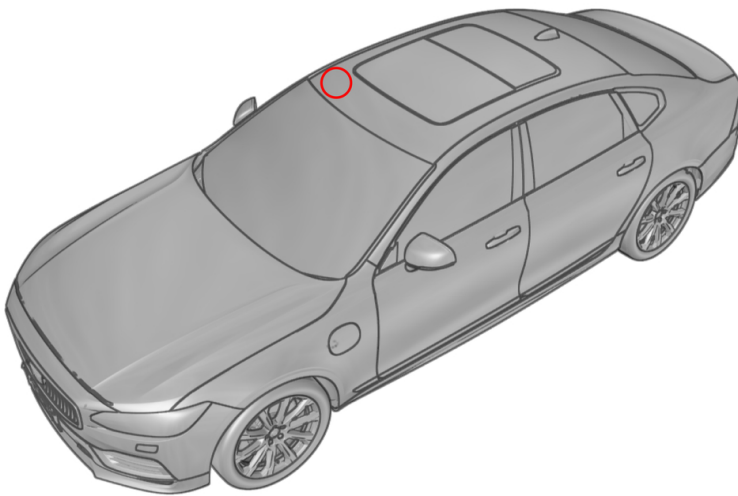
Model year	Model
2018,2019	S90L

Color symbols



Note! This colour chart displays (in colour print and electronic version) the importance of the different colours used in the images of the method steps.

- 1 . Used for focused component, the component with which you will do something.
- 2 . Used as extra colors when you need to show or differentiate additional parts.
- 3 . Used for attachments that are to be removed/installed. May be screws, clips, connectors, etc.
- 4 . Used when the component is not fully removed from the vehicle but only hung to the side.
- 5 . Used for standard tools and special tools.
- 6 . Used as background color for vehicle components.



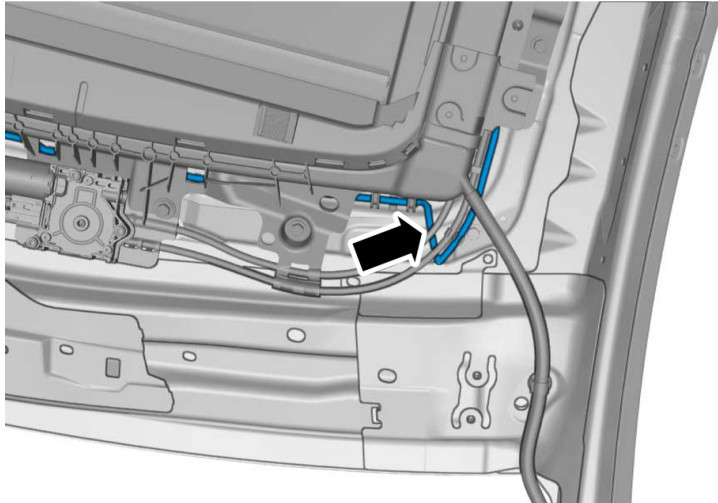
Note! Orientation view

Perform electric motor/sunroof control module (SRM), calibration , refer to:

- Cleaning, Inspection and Adjustment
- 8 - Body and interior
- 83 - Doors and lids
- 836 - roof hatch

Removal

Lower the headlining , refer to:
Removal, replacement and installation
8 - Body and interior
85 - Interior
855 - other upholstery

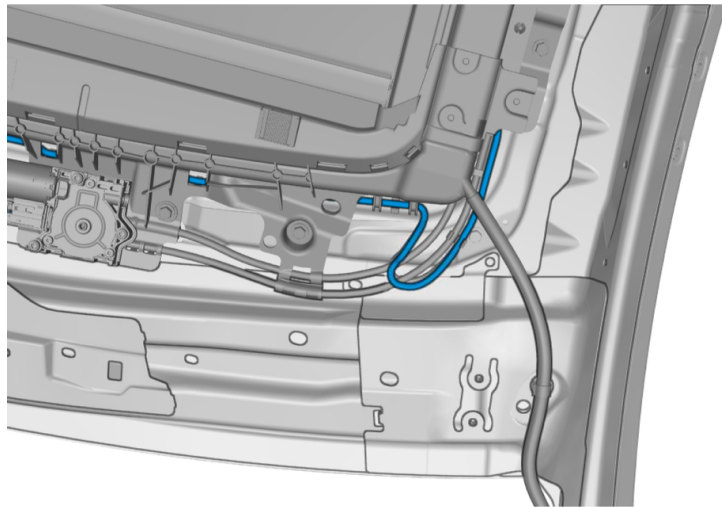


Caution! Make sure that no part of the wiring harness is trapped.

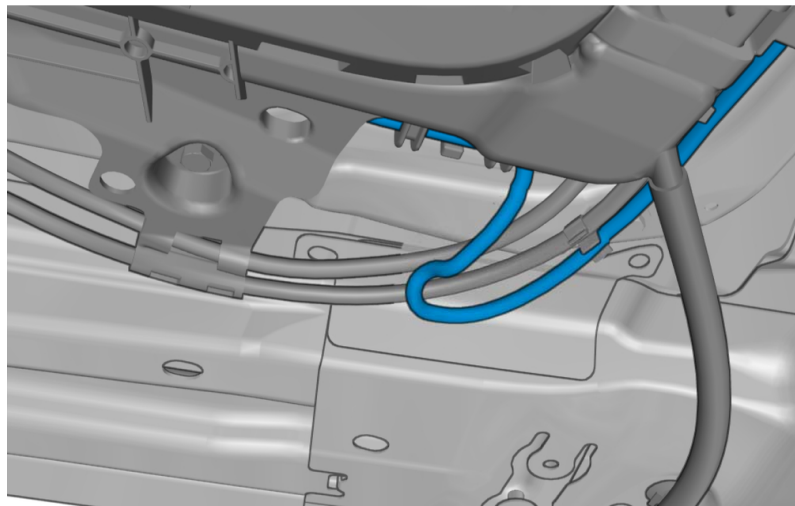
The graphic shows an incorrect design that needs correction.



Follow the instructions for cable terminals, surface treatment , refer to:
General Information
3 - Electrical system
37 - Cables and fuses
371 - cables



Position wire as illustrated.



Position wire as illustrated.

When necessary, carry out the following instruction.

Perform electric motor roof hatch , refer to:
Removal, replacement and installation
8 - Body and interior
83 - Doors and lids
836 - roof hatch

Installation

To install, reverse the removal procedure.