



Technical Journal

TITLE:

Headliner, squeak/rattle noise

REF NO: TJ 34498.1.0	ISSUING DEPARTMENT: Technical Service	CAR MARKET: United States and Canada	
PARTNER: 3 US 7510 Volvo Car USA		ISSUE DATE: 2019-05-14	STATUS DATE: 2019-05-17
FUNC GROUP: 8554	FUNC DESC: Upholstery for roof with retainer	Page 1 of 9	

“Right first time in Time”

Attachment

File Name	File Size
TJI-516730-1_1_0_en-US.pdf	1.4377 MB

Vehicle Type

Type	Eng	Eng Desc	Sales	Body	Gear	Steer	Model Year	Plant	Chassis range	Struc Week Range
224							2019-9999		0000001-0999999	201835-999952
225							2019-9999		0000315-0999999	201817-999952
227							2019-9999		0000001-0999999	201846-999952
234							2017-9999		0000350-0999999	201817-999952
235							2017-9999		0000160-0999999	201624-999952
236							2017-9999		0000098-0999999	201646-999952
238							2017-9999		0000001-0999999	201646-999952
246							2018-9999		0000389-0999999	201717-999952

CSC Customer Symptom Codes

Code	Description
G4	Headlining/Unusual noise

VST Operation Number

VST Operation Number	Description
98730-2	Headlining adjust acc. to TJ34498



DTC Diagnostic Trouble Codes

Text

DESCRIPTION:

If a squeak and/or a rattle noise is heard from the headliner area, see attached service solution.

SERVICE:

Follow the attached instruction.

VEHICLE REPORT:

Yes, please submit a Vehicle Report if the service solution described in this TJ has no effect. Use concern area "Vehicle Report" and sub concern area "Support not needed", use function group 8554.

To view TJ attachment continue to next page. This TJ has one attachment.



Volvo Car Customer Service

TJ Instruction VCC-516730-1

Title	Headlining with sun roof	Page	1 (7)
Action	Product fix	Operation number:	98730-2

Issue	Date	Reason
1	2019-04	First issue

Affected vehicles

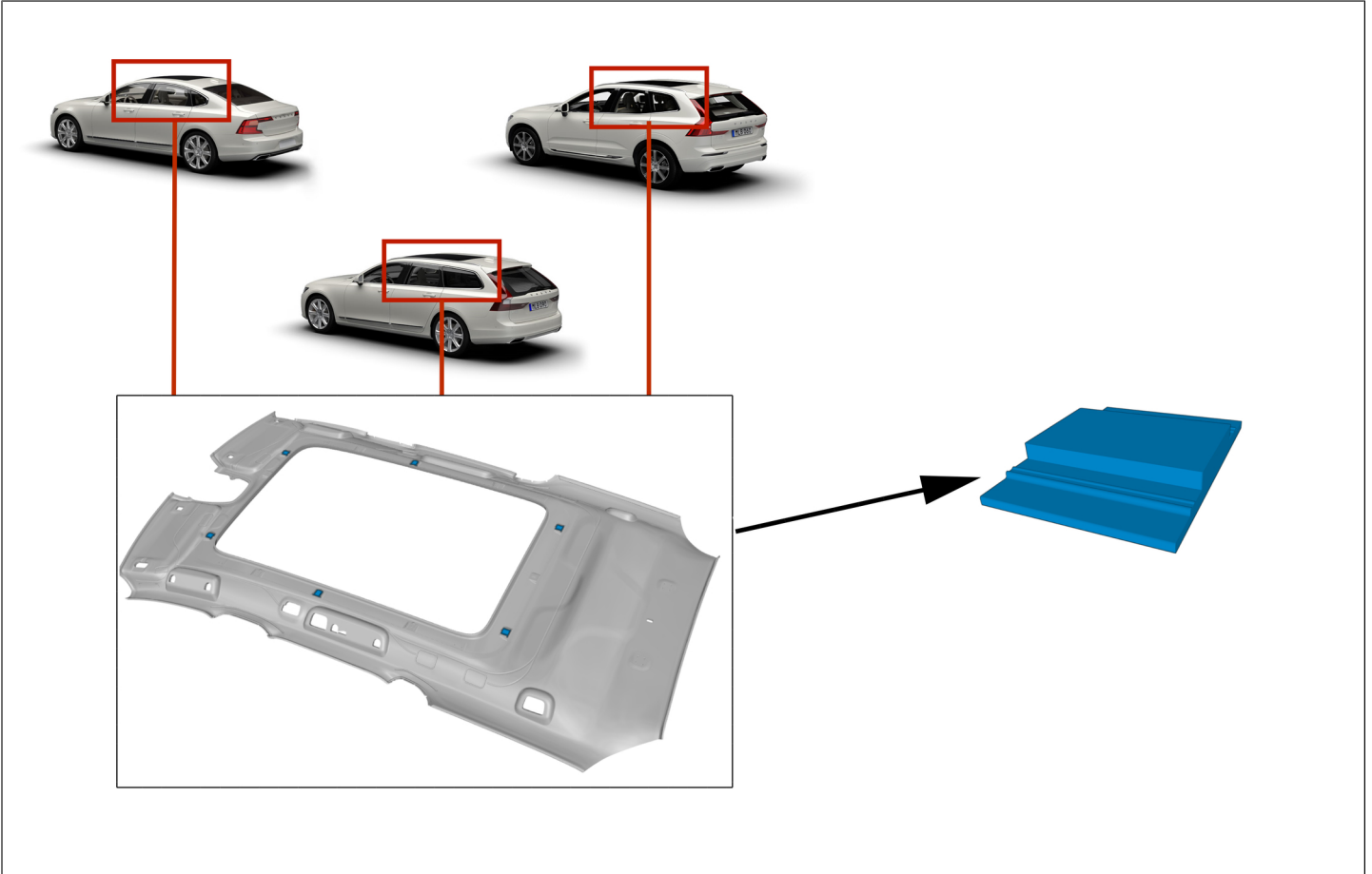
Model year	Model
2019	S60 (19-)
2017, 2018, 2019	S90 (17-)
2017, 2018, 2019	S90L
2019	V60 (19-)
2019	V60 Cross Country (19-)
2017, 2018, 2019	V90 (17-)
2017, 2018, 2019	V90 Cross Country
2018, 2019	XC60 (18-)

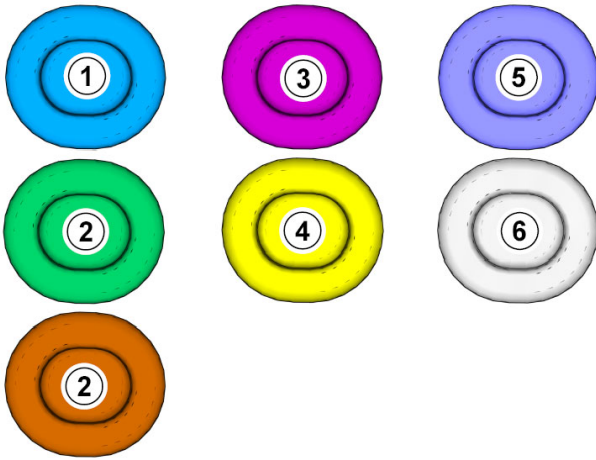
Materials

Materials	Qty.	Part No.	Notes
Tape	6.0	30643492	With Panoramarroof, Page 3;
Tape	4.0	30643492	With Sunroof, Page5;

Removal

Note! Removal steps in this procedure may contain installation details.



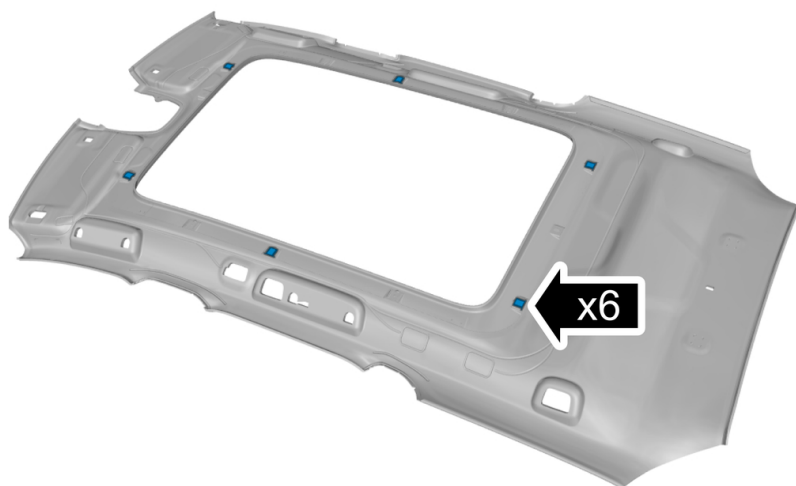


Note! This colour chart displays (in colour print and electronic version) the importance of the different colours used in the images of the method steps.

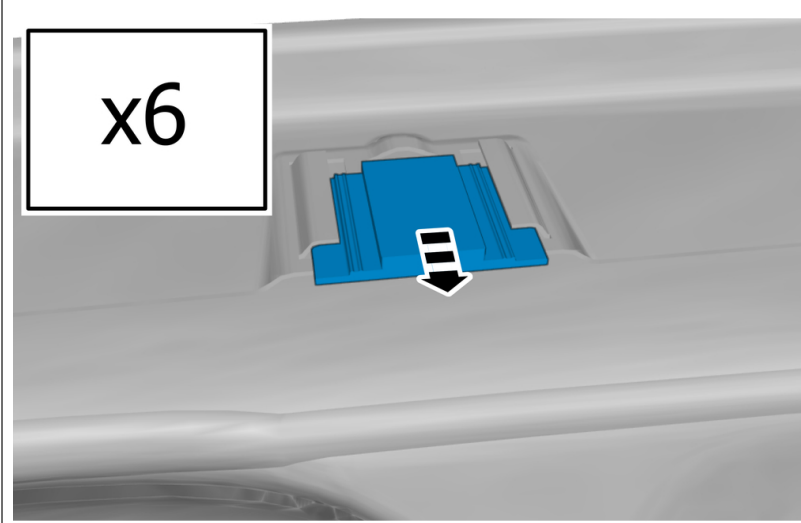
- 1 . Used for focused component, the component with which you will do something.
- 2 . Used as extra colors when you need to show or differentiate additional parts.
- 3 . Used for attachments that are to be removed/installed. May be screws, clips, connectors, etc.
- 4 . Used when the component is not fully removed from the vehicle but only hung to the side.
- 5 . Used for standard tools and special tools.
- 6 . Used as background color for vehicle components.

Vehicle with panorama roof

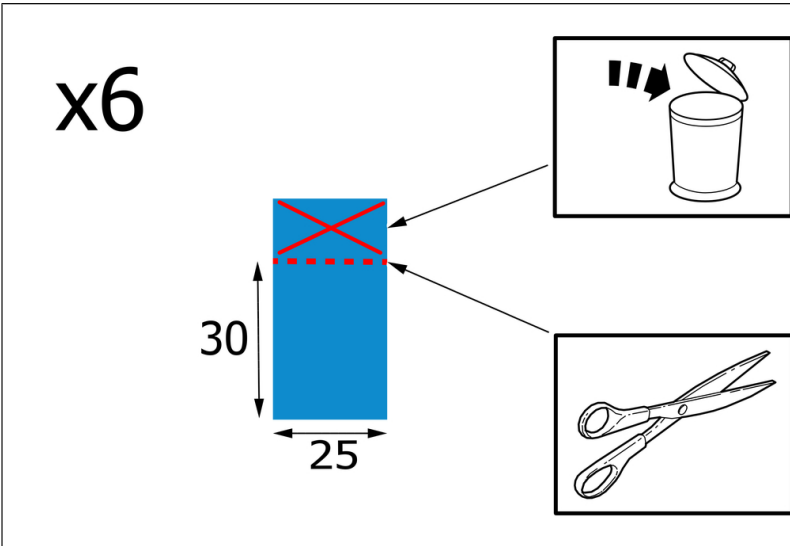
Lower the headlining , refer to:
 Removal, replacement and installation
 8 - Body and interior
 85 - Interior
 855 - other upholstery



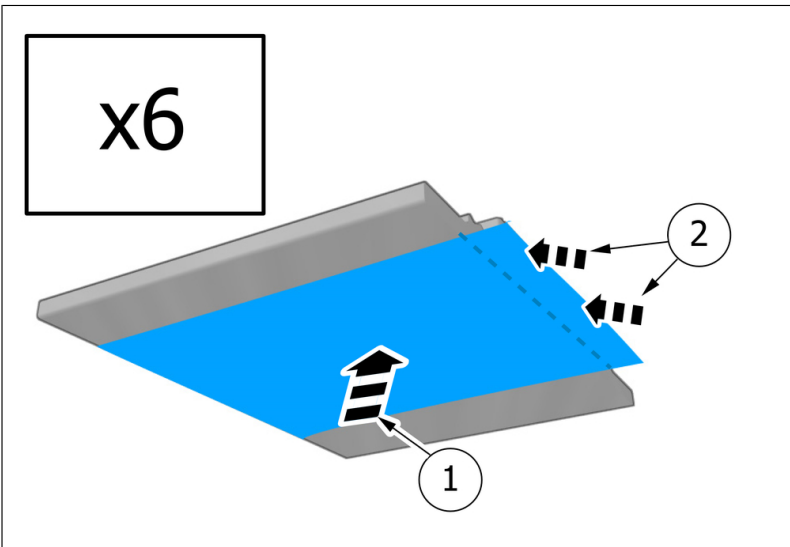
Note! Orientation view



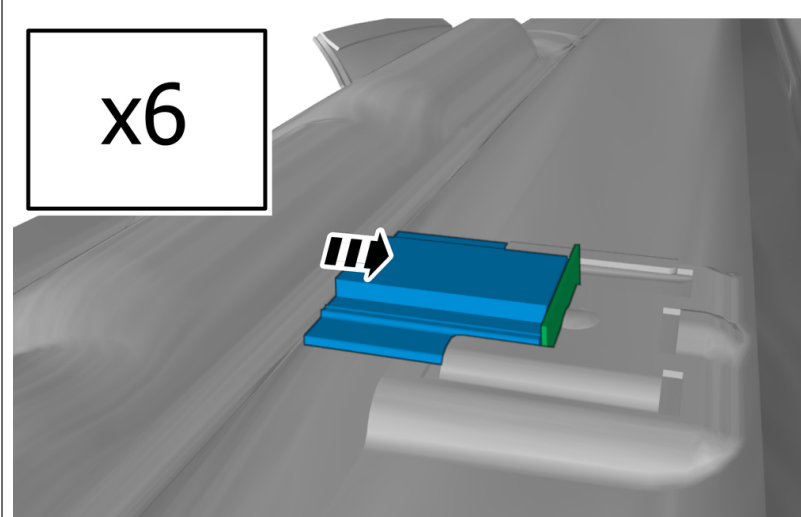
Remove the marked part.



Use: Tape , 30643492



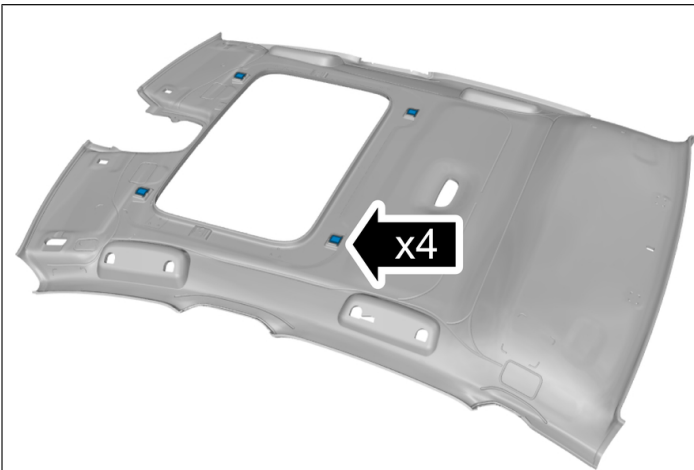
Apply tape.



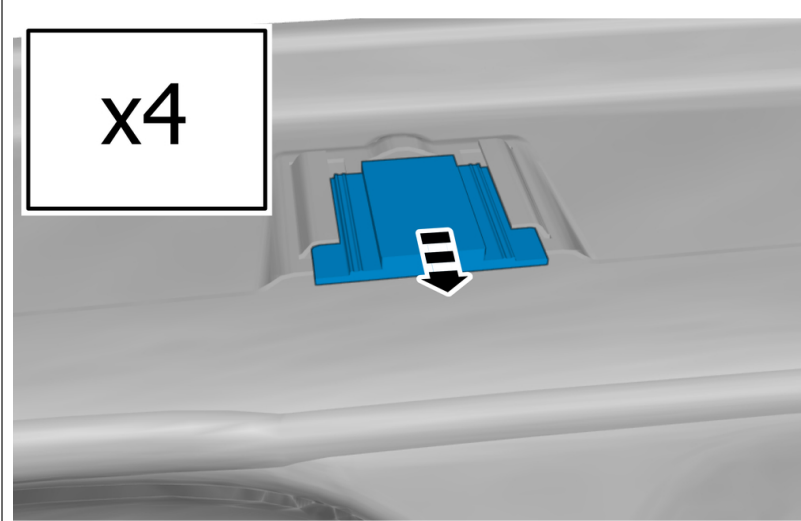
Install the marked component.

Vehicles with roof opening panel

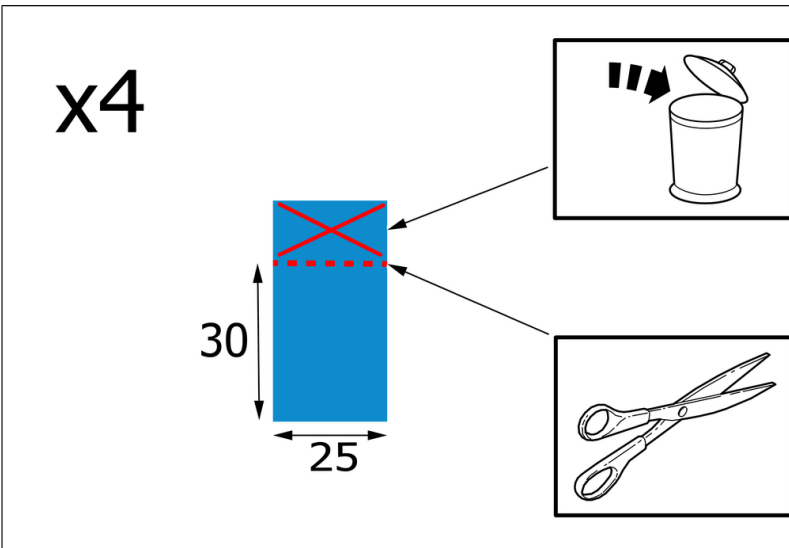
Lower the headlining , refer to:
Removal, replacement and installation
8 - Body and interior
85 - Interior
855 - other upholstery



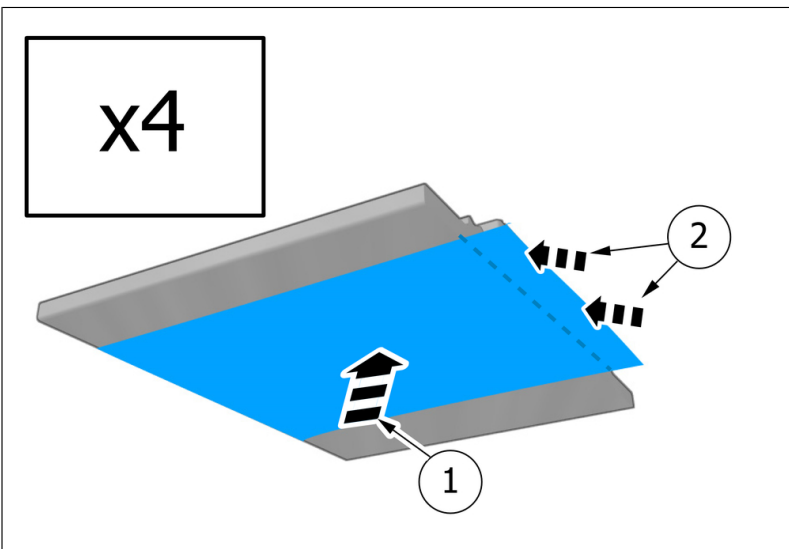
Note! Orientation view



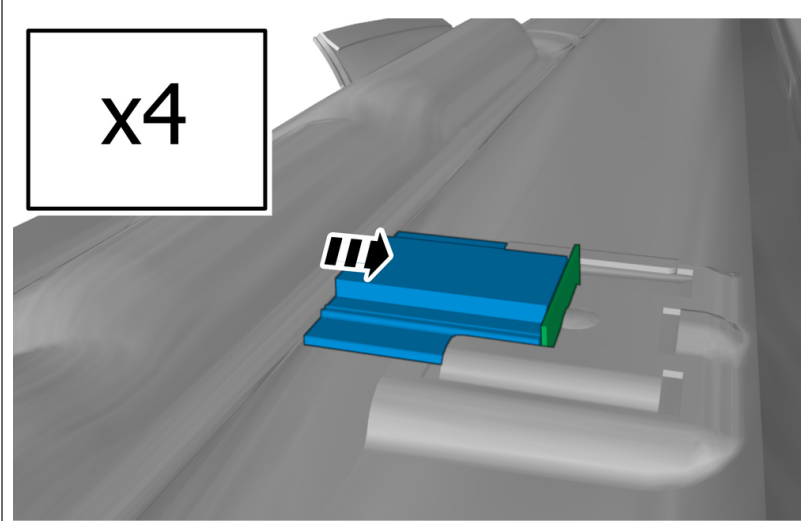
Remove the marked part.



Use: Tape , 30643492



Apply tape.



Install the marked component.

Installation

To install, reverse the removal procedure.