



# Technical Journal

TITLE:  
**High oil consumption.  
Engine 61**

<b>REF NO:</b> TJ 34588.2.0	<b>ISSUING DEPARTMENT:</b> Technical Service	<b>CAR MARKET:</b> United States and Canada	
<b>PARTNER:</b> 3 US 7510 Volvo Car USA		<b>ISSUE DATE:</b> 2019-04-16	<b>STATUS DATE:</b> 2019-04-17
<b>FUNC GROUP:</b> 2100	<b>FUNC DESC:</b> Engine	Page 1 of 13	

“Right first time in Time”

## Attachment

File Name	File Size
TJI-481117-2_1_1_en-US.pdf	2.2471 MB

## Vehicle Type

Type	Eng	Eng Desc	Sales	Body	Gear	Steer	Model Year	Plant	Chassis range	Struc Week Range
124	61	B5254T12					2013-2014		-	201220-201345
134	61	B5254T12					2013-2016		-	201220-201616
136	61	B5254T12					2016-2016		-	201517-201619
137	61	B5254T12					2016-2016		-	201524-201616
138	61	B5254T12					2016-2016		-	201521-201616
155	61	B5254T12					2014-2016		-	201349-201616
156	61	B5254T12					2015-2016		-	201420-201616

## CSC Customer Symptom Codes

Code	Description
AZ	Lubrication and oil system/Excessive oil consumption

## VST Operation Number

VST Operation Number	Description
98547-2	Piston ring replacement



## **DTC** Diagnostic Trouble Codes

Rows beginning with \* are modified

Note! If using a printed copy of this Technical Journal, first check for the latest online version.

## **Text**

### **DESCRIPTION:**

\* Vehicle type and TJI changed.

If customer experience “Low oil pressure light” coming on. No external leakage.

High engine oil consumption may occur. Follow the instructions under “Service”

### **SERVICE:**

Replace piston ring kit according to attached instruction.

### **VEHICLE REPORT:**

Yes, please submit a Vehicle Report if the service solution described in this TJ has no effect. Use concern area “Vehicle Report” and sub concern area “Support not needed”, use function group 2100.

**To view TJ attachment continue to next page. This TJ has one attachments.**



## Volvo Car Customer Service

TJ Instruction VCC-481117-2

<b>Title</b>	Piston rings	<b>Page</b>	1 ( 11 )
<b>Action</b>	Replacement	<b>Operation number:</b>	98575-2

Issue	Date	Reason
1	2019-03	First issue
2	2019-04	Change in Affected Vehicles

### Affected vehicles

Model year	Model	Engine
2013, 2014, 2015, 2016	S60 (11-18)	B5254T12
2016	S60 Cross Country	B5254T12
2016	S60L	B5254T12
2013, 2014	S80 (07-)	B5254T12
2014, 2015, 2016	V60 (-18)	B5254T12
2015, 2016	V60 Cross Country (-18)	B5254T12
2015, 2016	XC60 (-17)	B5254T12
2016	XC70 (08-)	B5254T12

### Materials

Materials	Qty.	Part No.	Notes
Engine oil	0.1		Consumable;
Abrasive cloth	1	9511024	
Isopropanol	0.2	31375638	Consumable;
Chemical gasket	0.5	1161059	
Piston ring kit	5.0	30750667	
Screw	10.0	9497858	

### Special tools

Description	Part No.
Holder (remov.piston/connecting rod) B 200-B 6304	999 5746
Guide pin	999 7273
Roller (Applying liquid gasket) B234,5234,6304	951 2767

### Equipment

Designation	Part No.
Piston ring pliers	

**Equipment**

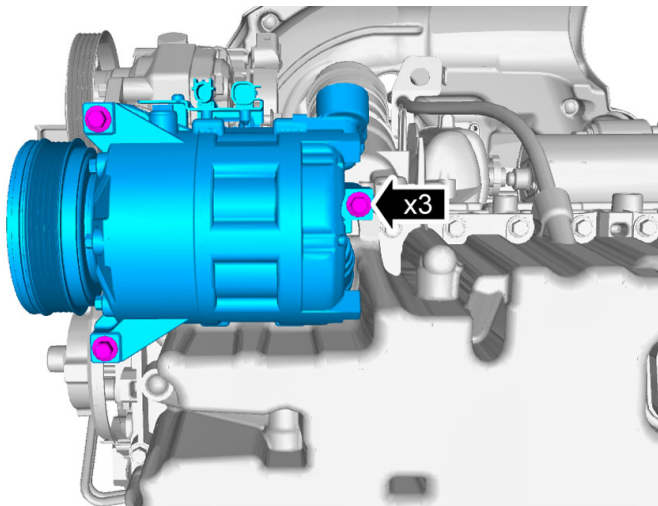
<b>Designation</b>	<b>Part No.</b>
Piston ring compressor	

**Removal**

**Note! Removal steps in this procedure may contain installation details.**

Remove the cylinder head , refer to:  
Removal, replacement and installation  
2 - Engine with mountings and equipment  
21 - Engine  
211 - cylinder head

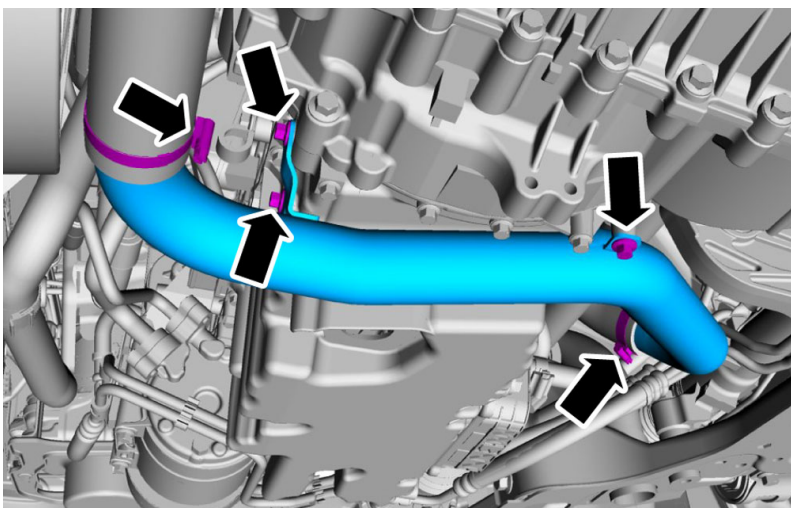
Drain engine oil , refer to:  
Removal, replacement and installation  
2 - Engine with mountings and equipment  
22 - Lubricating and oil system  
220 - general



Remove the screws.

**Torque:**

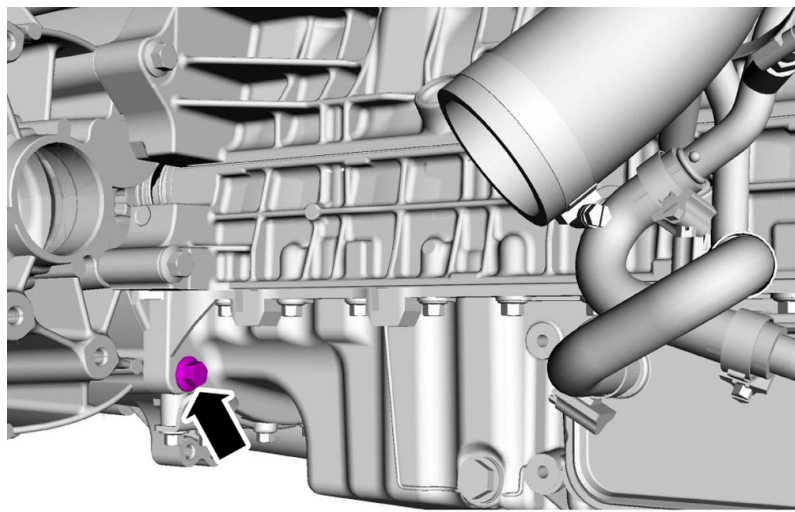
M8 , 24 Nm



Remove the screws.

**Torque:**

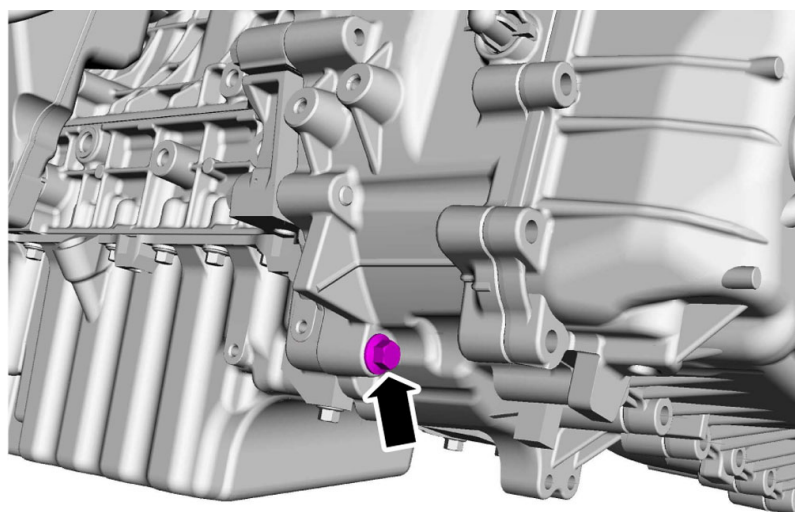
M7 , 17 Nm



Remove the screw.

**Torque:**

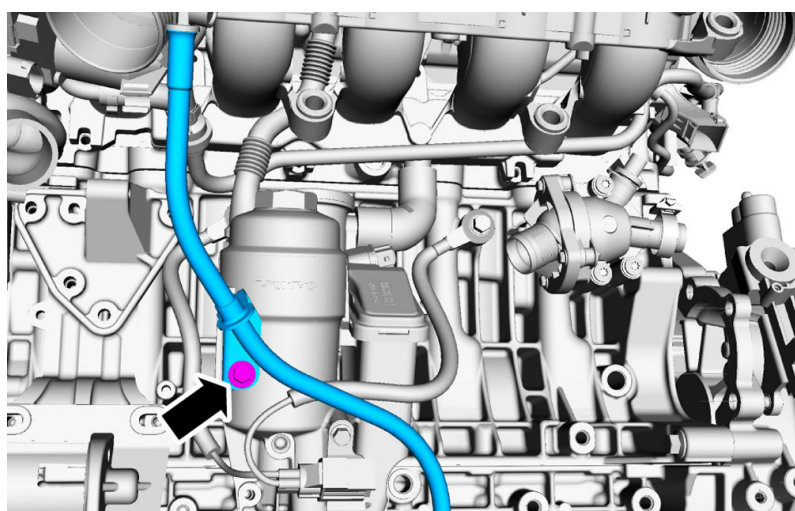
M10 , 50 Nm



Remove the screw.

**Torque:**

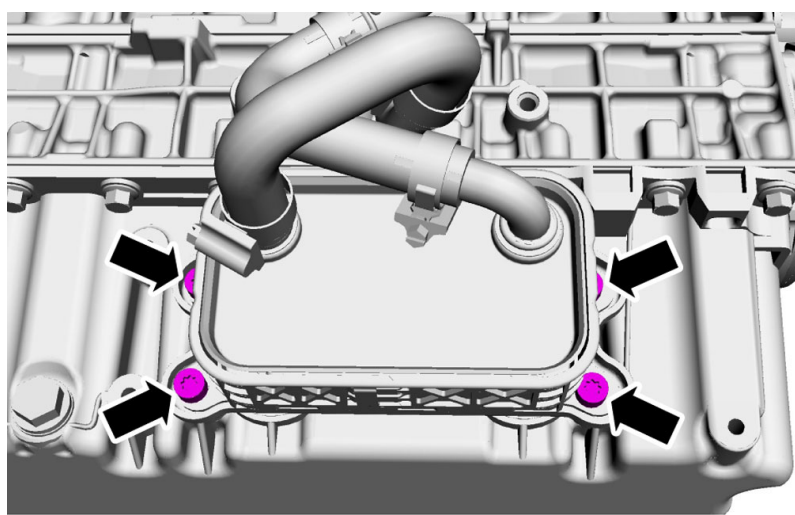
M10 , 50 Nm



Remove the screw.

**Torque:**

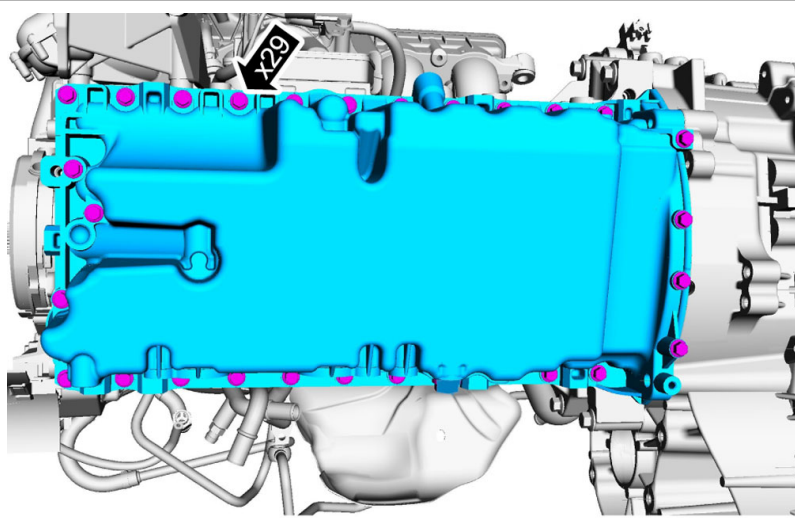
M6 , 10 Nm



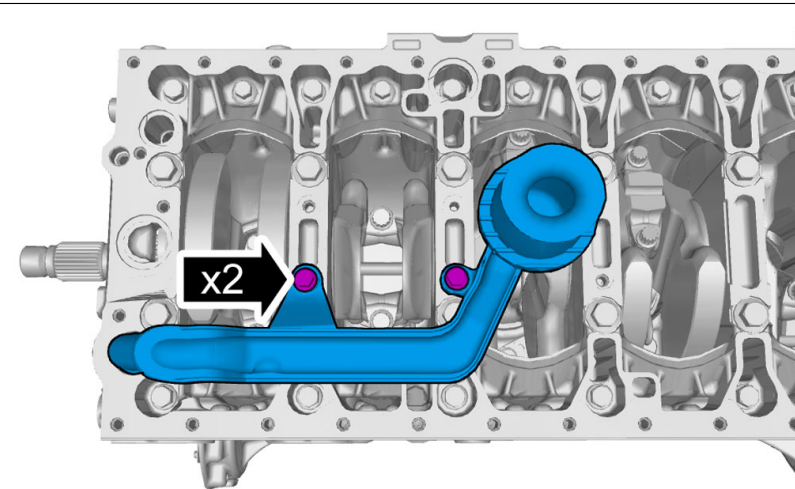
Remove the screws.

**Torque:**

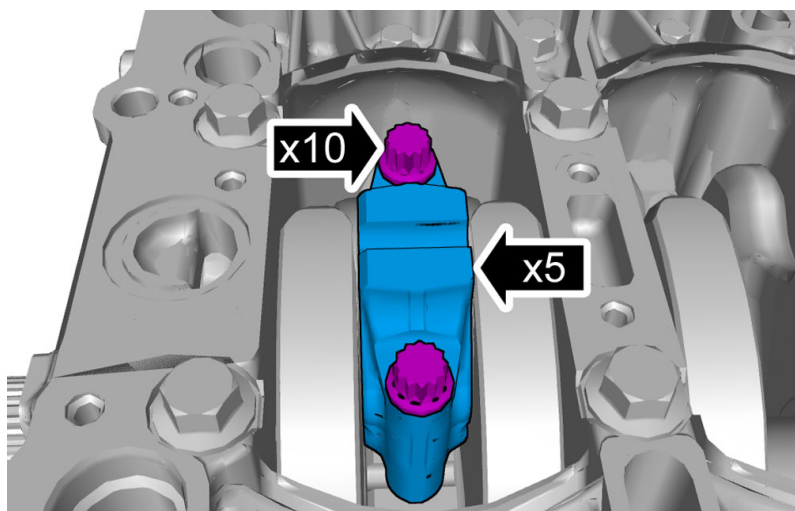
M7 , 17 Nm



Remove the screws.



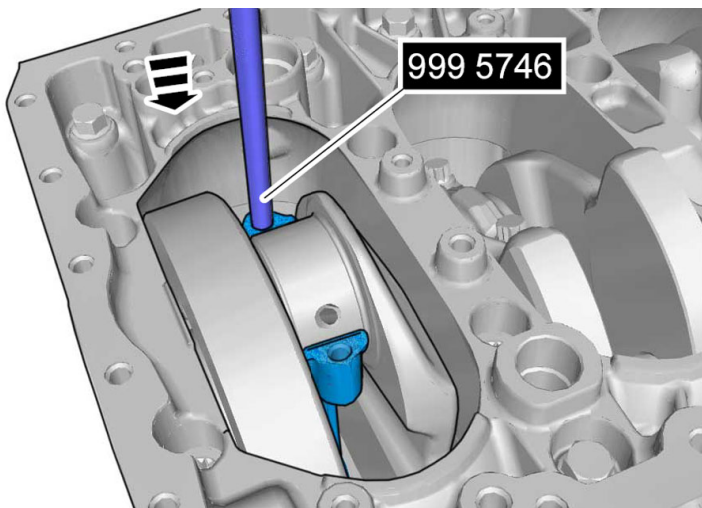
Remove the screws.



**Caution!** Note the position of the bearing caps in relation to the rotation of the crankshaft. The bearing caps are not interchangeable.

**Caution!** Note the position of the components before removal.

Remove the screws.

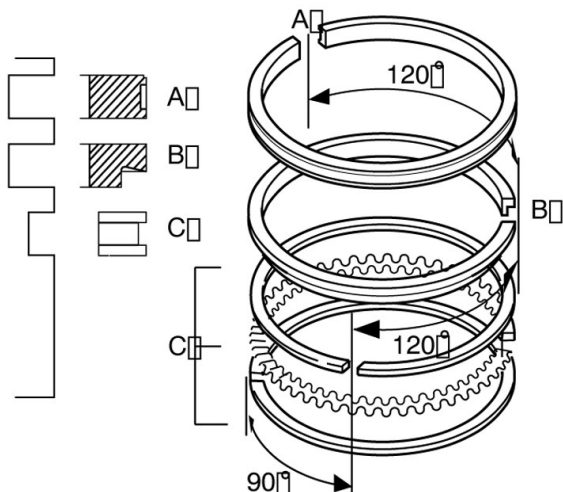


**Caution!** Take extra care when handling the components.

**Caution!** Take extra care not to damage the bearings.

Special Tool: T9995746, Holder (remov.piston/ connecting rod) B 200-B 6304

**Installation**



**Note!** Make sure that the component is clean and free of foreign material.

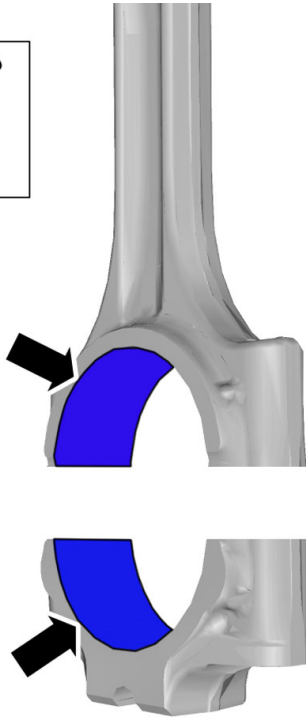
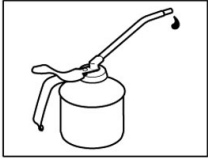
**Note!** Text or marking on piston ring A must be face up.

**Note!** Make sure that new components are installed.

**Use:** Piston ring pliers



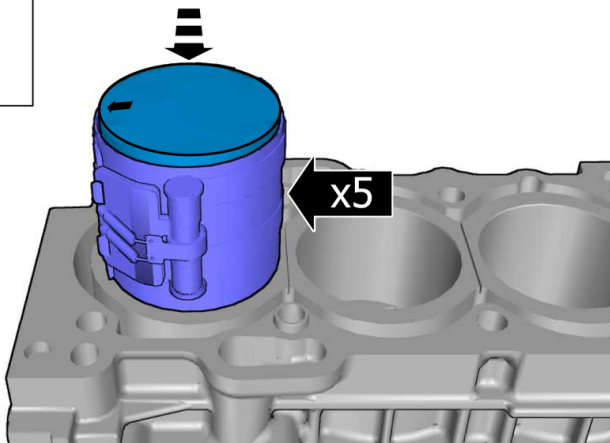
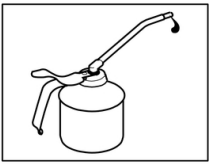
**Use:** Engine oil ,

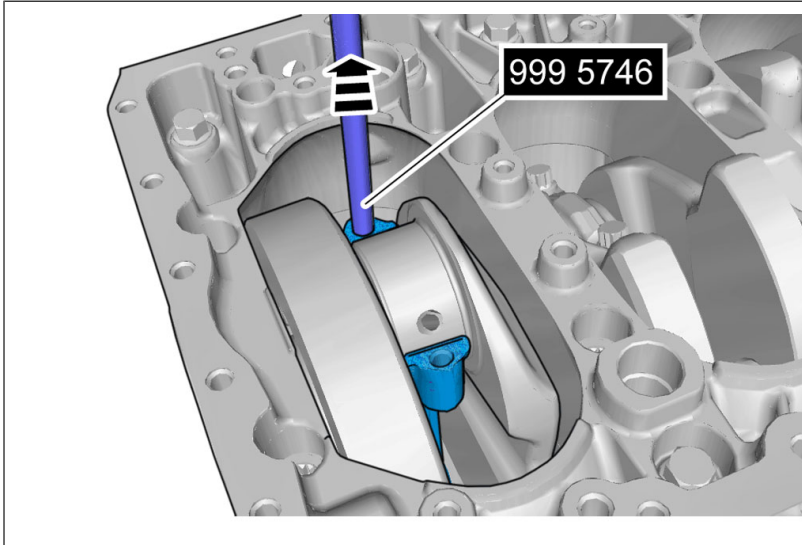


**Note!** Make sure that the direction arrow points towards the front of the engine.

**Use:** Piston ring compressor

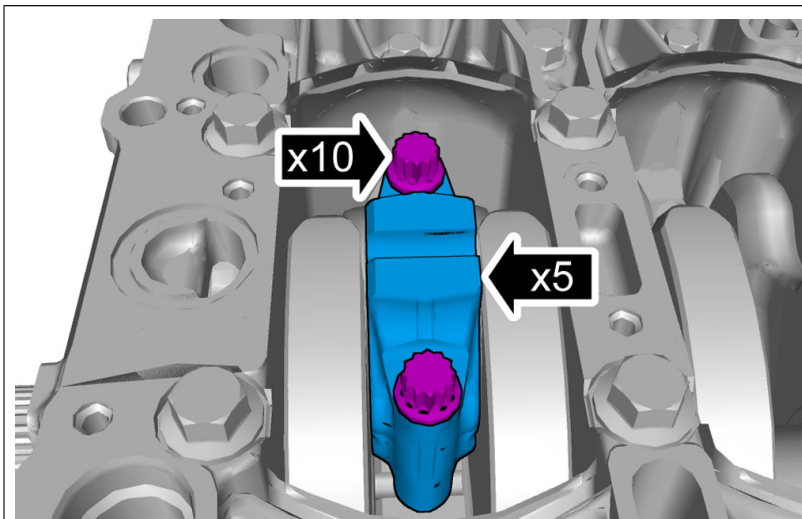
**Use:** Engine oil ,





**Caution! Take extra care not to damage the bearings.**

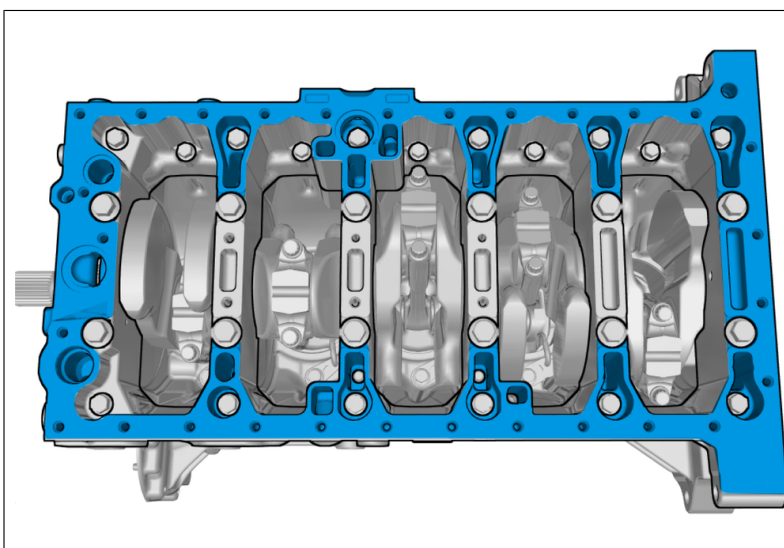
Special Tool: T9995746, Holder (remov.piston/ connecting rod) B 200-B 6304



**Caution! Make sure that the components are positioned correctly.**

**Torque:**

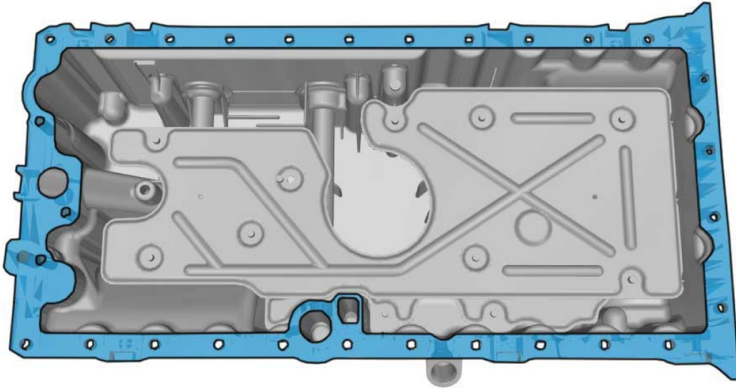
- Stage 1 : Cap connecting rod , 30 Nm
- Stage 2 : Cap connecting rod , 90°



**Caution! Make sure that the mating faces are clean and free of foreign material.**

**Use:** Abrasive cloth , 9511024

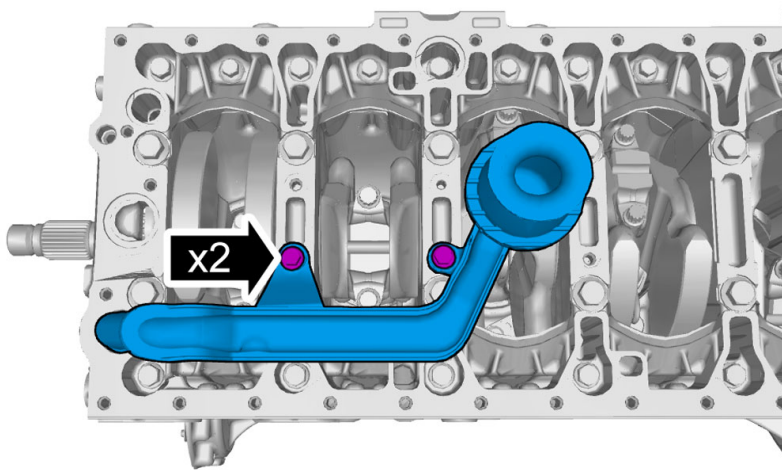
**Use:** Isopropanol , 31375638



**Caution!** Make sure that the mating faces are clean and free of foreign material.

**Use:** Abrasive cloth , 9511024

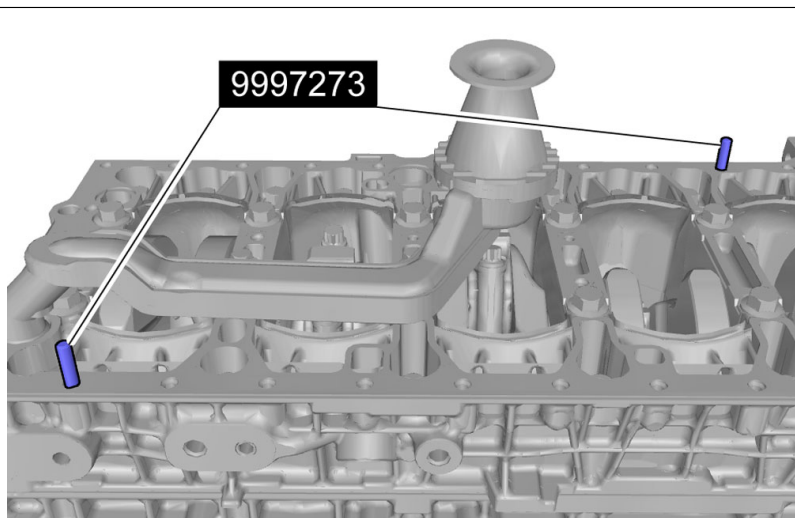
**Use:** Isopropanol , 31375638



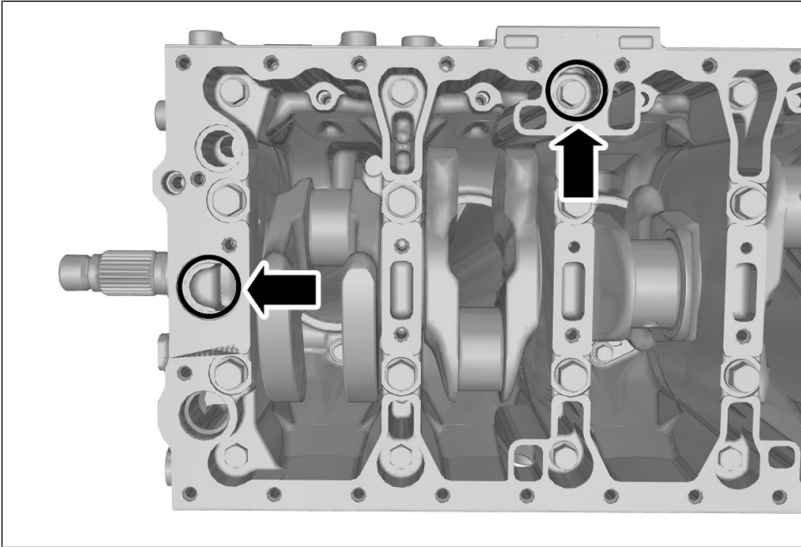
Install the screws.

**Torque:**

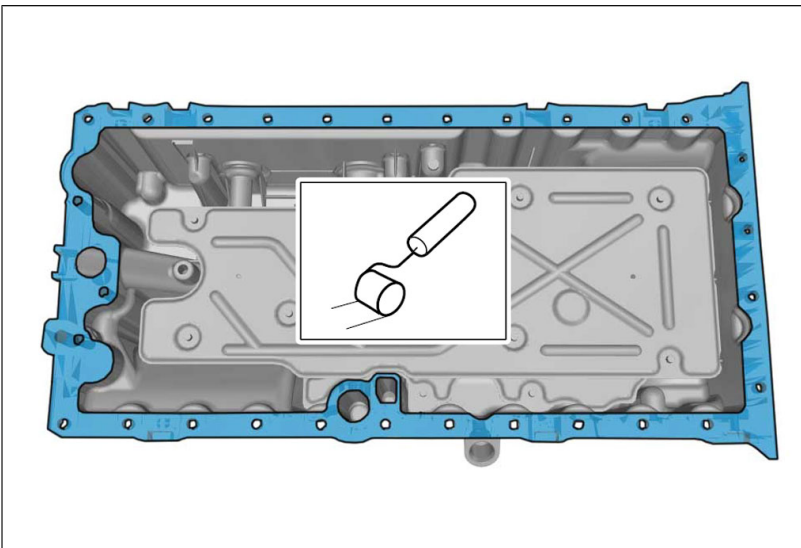
M7 , 17 Nm



Special Tool: T9997273, Guide pin



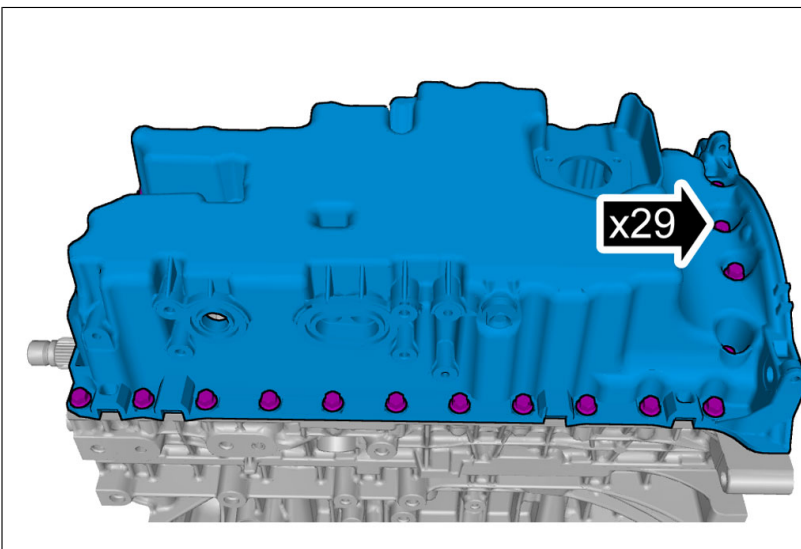
**Caution!** Make sure that the gaskets are correctly located.



**Note!** The component must be installed within 5 minutes of applying the sealant.

Special Tool: T9512767, Roller (Applying liquid gasket) B234,5234,6304

**Use:** Chemical gasket , 1161059



**Torque:**  
M7 , 17 Nm

To install, reverse the removal procedure.

Top up the engine oil , refer to:  
Removal, replacement and installation  
2 - Engine with mountings and equipment  
22 - Lubricating and oil system  
220 - general

Install cylinder head , refer to:  
Removal, replacement and installation  
2 - Engine with mountings and equipment  
21 - Engine  
211 - cylinder head