



Service Bulletin

Bulletin No.: 18-NA-020

Date: February, 2019

TECHNICAL

Subject: Malfunction Indicator Lamp Illuminated with DTC P0300 and/or P0299/P2227 Set

This Bulletin replaces PIP5511A. Please discard PIP5511A.

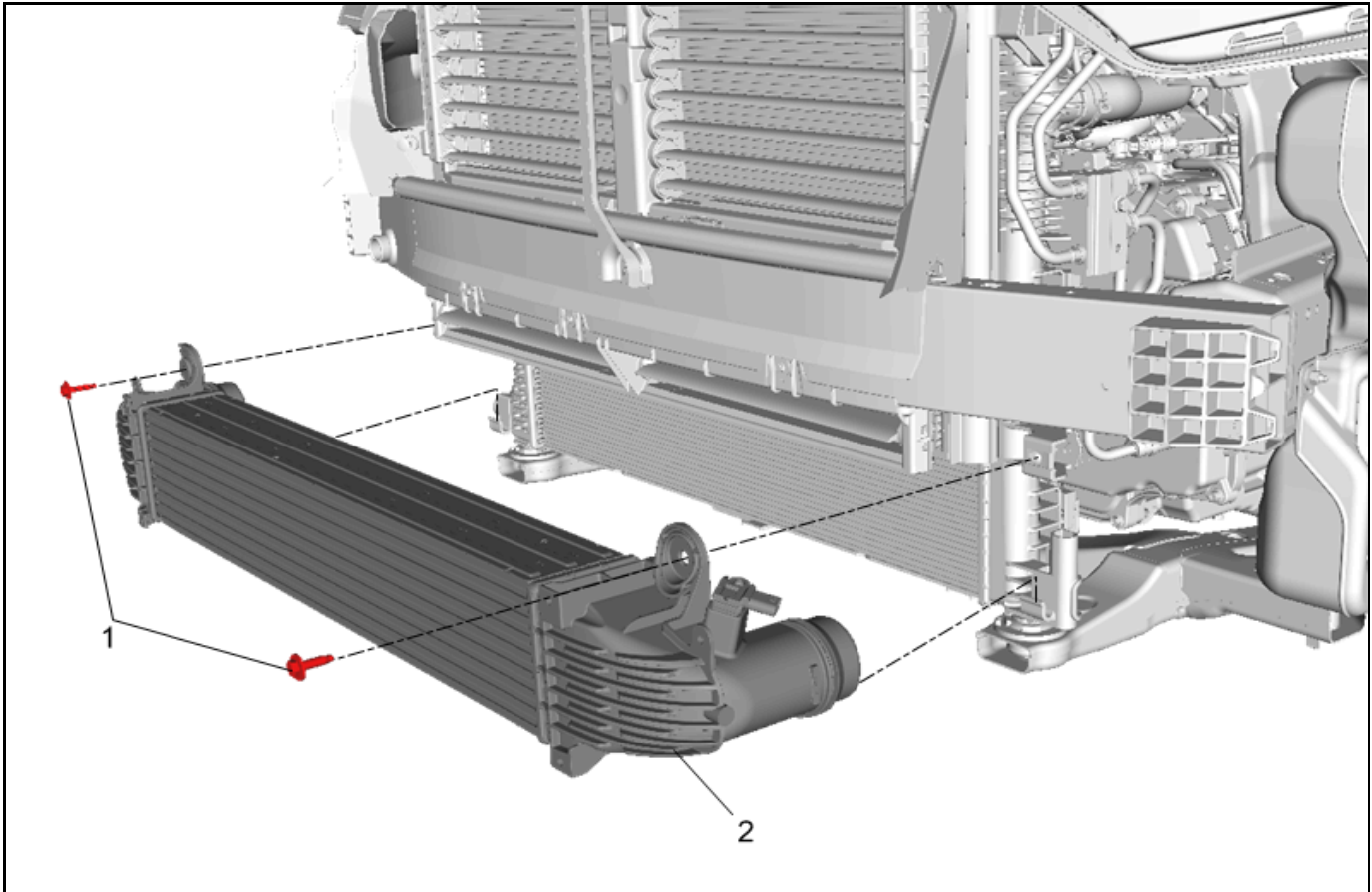
Brand:	Model:	Model Year:		VIN:		Engine:	Transmission:
		from	to	from	to		
Buick	Envision	2016	2019			Equipped with 2.0L Engine (RPO LTG)	All
Chevrolet	Equinox	2018					
GMC	Terrain						
Holden	Equinox						

Involved Region or Country	North America and N.A. Export Regions
Condition	Some customers may comment on a malfunction indicator lamp illuminated. During diagnosis, a technician may find DTC P0299, P2227, or P0300 set/stored.
Cause	This condition may be caused by a moisture build up inside the charge air cooler. Long drives through rainy conditions and/or high humidity conditions (heavy fog) can cause moisture to collect in the charge air cooler. A heavy acceleration can draw moisture into the engine causing DTC P0300. In cold temperatures, ambient and PCV moisture can freeze in the charge air cooler, restricting flow, and causing DTC P0299 and/or P2227.
Correction	Perform a smoke leak test of the charge air cooler, then follow the repair steps in the appropriate Service Procedure below.

Service Procedure Equinox, Terrain

Important: For the 2.0L engine ONLY, remove the boost sensor from the intake charge pipe to the throttle body and wipe with a clean rag to remove residual moisture.

1. Perform a smoke leak test of the charge air cooler.



4597334

- If a leak is determined, replace the charge air cooler with the newly designed part. Refer to *Charge Air Cooler Replacement* in SI.
- If there is NO leak, but a P0300, P0299 and/or P2227 are present, **AND the vehicle was built ON or BEFORE March 1, 2018**, then replace the charge air cooler with the newly designed part. Refer to *Charge Air Cooler Replacement* in SI.
- If there is NO leak, but a P0300, P0299 and/or P2227 are present, **AND the vehicle was built AFTER March 1, 2018**, refer to SI for further diagnosis.

Important: During temperatures ABOVE 32°F / 0°C, the grille cover **MUST** be removed to prevent the engine and transmission from overheating.

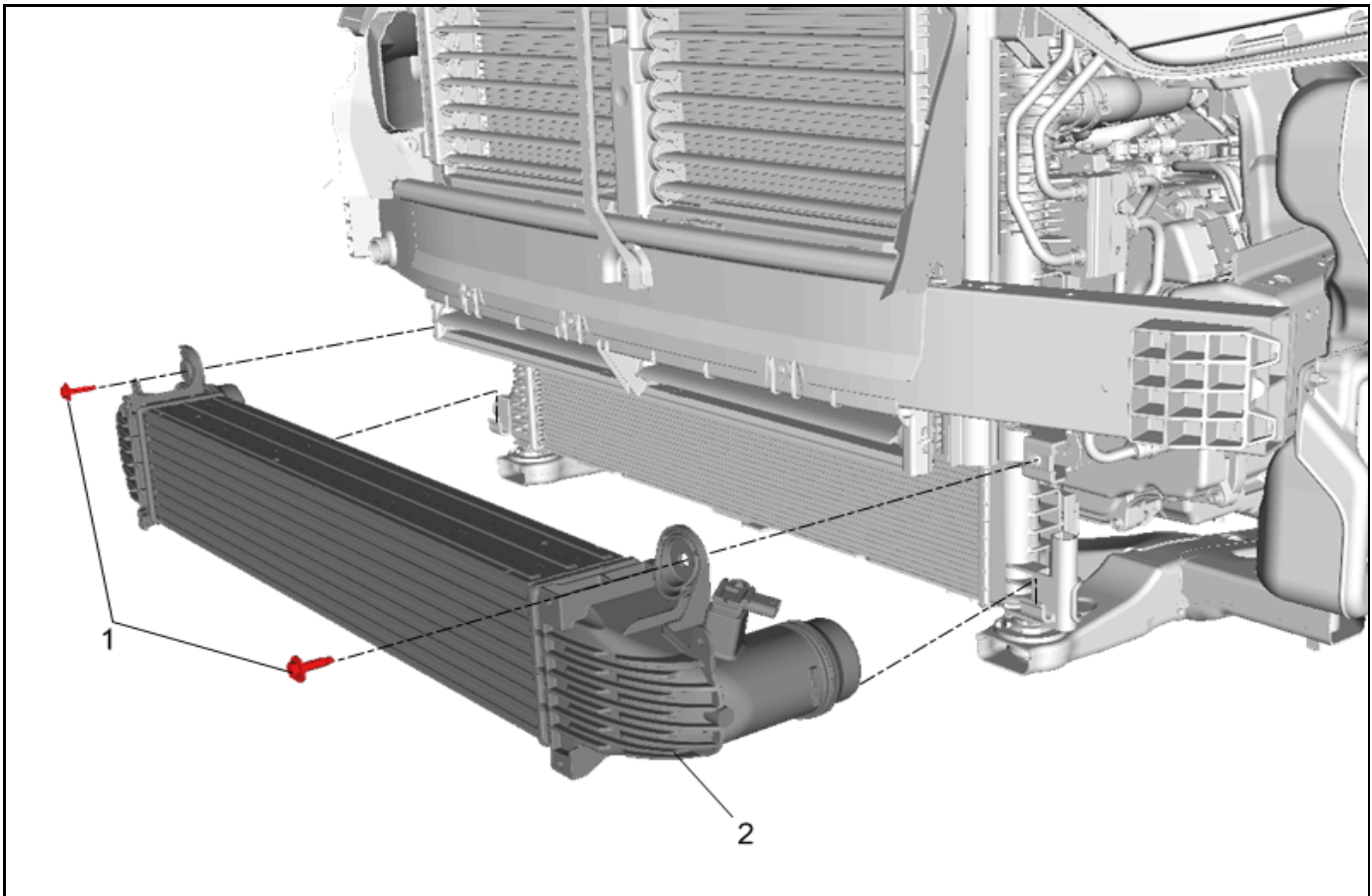
The grille cover **MUST** be removed before towing a trailer of any size. Failure to do will decrease the transmission cooling efficiency and possibly cause damage to the drivetrain.

2. If the charge air cooler is icing in cold weather conditions, a grill cover can be installed to help prevent the icing. Give the installation instructions, included with the covers, to the owner for future installations/removals.

Service Procedure Envision ONLY

Important: Remove the boost sensor from the intake charge pipe to the throttle body and wipe with a clean rag to remove residual moisture.

1. Perform a smoke leak test of the charge air cooler.



4597334

Important: The newly designed charge air cooler is wider and is NOT compatible with the existing lower baffle on the vehicle. The baffle will need to be replaced to accommodate the larger charge air cooler.

- If a leak is determined, replace the charge air cooler with the newly designed part. Refer to *Charge Air Cooler Replacement* in SI.
- If there is NO leak, but a P0300, P0299 and/or P2227 are present, **AND the vehicle was built ON or BEFORE January 5, 2019**, then replace the charge air cooler with the newly designed part. Refer to *Charge Air Cooler Replacement* in SI.
- If there is NO leak, but a P0300, P0299 and/or P2227 are present, **AND the vehicle was built AFTER January 5, 2019**, refer to SI for further diagnosis.

Parts Information

Important: For Equinox and Terrian ONLY: The vehicles may not show an E48 RPO code, so use the other RPO identifiers to select the correct cover.

Causal Part	Description	Part Number	RPO
NA*	COVER PKG-FRT GRL OPG	84624274 (Equinox)	Without WBL or WFP
		84624275 (Equinox with Redline/Sport)	With WBL or WFP
		84630081 (Terrain without front license plate bracket)	Without VK3
		84648360 (Terrain with front license plate bracket)	With VK3
	BAFFLE, RAD AIR LWR	23350091 (Envision ONLY)	-

Causal Part	Description	Part Number	RPO
X	Charge Air Cooler	84454110	LYX
		84454111	LTG
		84634949 (Envision)	

*For warranty transactions, **DO NOT** mark this/these parts as the Causal Part. Enter the word "Bulletin" in the Causal Part Description free-flow text field.

Warranty Information

For vehicles repaired under the Powertrain coverage, use the following labor operation. Reference the Applicable Warranties section of Investigate Vehicle History (IVH) for coverage information.

Labor Operation	Description	Labor Time
4086758*	Performing Smoke Test for Charge Air Cooler	0.3 hrs.
4022940	Charge Air Cooler Replacement	Use Published Labor Operation Time
1086018*	Installing Charge Air Cooler Grille Cover	0.3 hrs. (Equinox)
		0.2 hrs. (Terrain)
*This is a unique Labor Operation for Bulletin use only.		

Version	6
Modified	<p>Released January 22, 2018</p> <p>Revised July 26, 2018 – Added Holden Equinox Model</p> <p>Revised October 19, 2018 – Updated the Cause and Correction.</p> <p>Revised December 21, 2018 – Updated Additional Options, Correction, Parts Information and Warranty Information.</p> <p>Revised January 09, 2019 – Updated the Parts Information</p> <p>Revised February 19, 2019 – Added Envision also updated the Condition, Parts Information and Warranty Information.</p>

GM bulletins are intended for use by professional technicians, NOT a "do-it-yourselfer". They are written to inform these technicians of conditions that may occur on some vehicles, or to provide information that could assist in the proper service of a vehicle. Properly trained technicians have the equipment, tools, safety instructions, and know-how to do a job properly and safely. If a condition is described, DO NOT assume that the bulletin applies to your vehicle, or that your vehicle will have that condition. See your GM dealer for information on whether your vehicle may benefit from the information.



WE SUPPORT VOLUNTARY
TECHNICIAN
CERTIFICATION