

SERVICE MANUAL BULLETIN

This Service Manual Bulletin is prepared by the Publications Department of New Flyer Industries Canada ULC. Refer to details below.

SMB-182

ISSUE DATE: Sep 4 2018

APPLICABILITY					
VEHICLE LENGTH	<input type="checkbox"/> 30ft.	<input type="checkbox"/> 35ft.	<input type="checkbox"/> 40ft.	<input checked="" type="checkbox"/> 60ft.	<input type="checkbox"/> ALL
VEHICLE TYPE	<input checked="" type="checkbox"/> Xcelsior®	<input type="checkbox"/> MiDi®	<input type="checkbox"/> Invero®	<input type="checkbox"/> ALL	
	<input type="checkbox"/> Low Floor	<input type="checkbox"/> High Floor			
FUEL TYPE	<input checked="" type="checkbox"/> Diesel	<input checked="" type="checkbox"/> Diesel/Electric	<input checked="" type="checkbox"/> CNG	<input type="checkbox"/> LNG	<input type="checkbox"/> ALL
	<input checked="" type="checkbox"/> Fuel Cell	<input checked="" type="checkbox"/> Trolley/Electric	<input checked="" type="checkbox"/> Battery/Electric		
SUBJECT	Artic Joint Retorque & Bolt Replacement				
SECTION TITLE	PM - Preventive Maintenance				
DETAILS	<p>This bulletin identifies a new requirement for bolt replacement in the Artic Joint Support Frame installed on your New Flyer vehicle.</p> <p>Make this Service Bulletin available to service personnel to inform them of changed information.</p>				

1. Three Year Preventive Maintenance

1.1. Artic Joint Retorque & Bolt Replacement

1. Retorque the articulation joint major fasteners every three years or 90,000 miles (145,000 km), whichever occurs first. Refer to Section 21 of the New Flyer Service manual for torque specifications and procedures.

 **NOTE:**

Set the torque wrench to the specified torque value and apply a tightening force

to the fastener until the torque value is reached. It is not necessary to break loose the fastener and then retorque.

2. Replace the two outer bolts on either side of the support frame every three years or 90,000 miles (145,000 km), whichever occurs first. See “Fig. 1: Support Frame Bolt Replacement” on page 2. Refer to your New Flyer Parts Manual for correct replacement parts. Refer to Section 21 of the New Flyer Service manual for torque specifications and procedures.

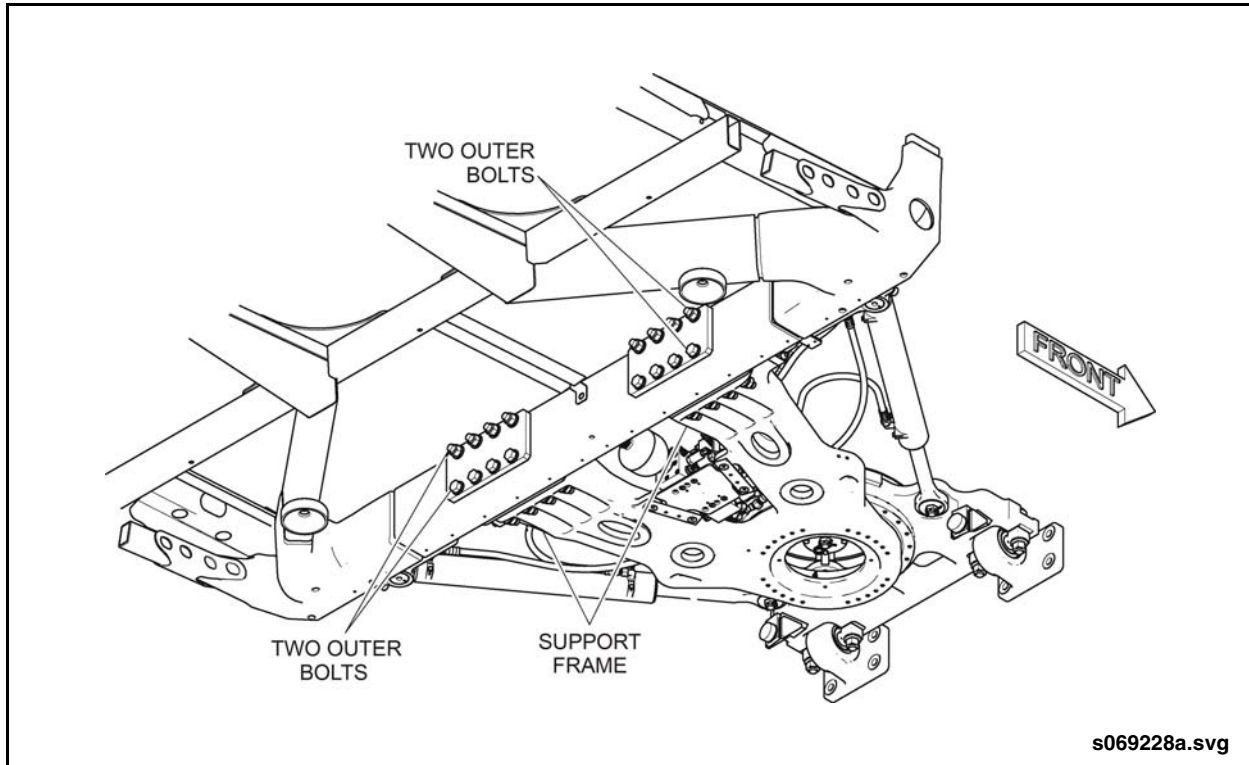


Fig. 1: Support Frame Bolt Replacement