



# Service Bulletin

## TECHNICAL

**Subject:** Brake Squeal or Squeak Noise Intermittently on Initial Brake Applies

*This Bulletin replaces PI1496C and PI0917F. Please discard PI1496C and PI0917F.*

Brand:	Model:	Model Year:		VIN:		Engine:	Transmission:
		from	to	from	to		
Buick	Regal GS	2013	2017			All	All
Cadillac	ATS XTS	2013	2017			All	All
Cadillac	CTS (VIN A)	2014	2017			All	All
Cadillac	ATS-V, CTS-V, CT6	2016	2017			All	All
Chevrolet	Corvette, SS	2014	2017			All	All

<b>Involved Region or Country</b>	North America and N.A. Export Regions
<b>Condition</b>	Some customers may comment on a squeal or squeak noise from the front brakes. This condition normally only occurs on initial brake applications after the vehicle has sat for an extended time. The condition occurs typically under light braking, in speeds under 16 km/h (10 mph). After 1-6 brake applies, or after braking at higher speeds, the noise no longer occurs. This condition may occur more often in high humidity conditions.
<b>Correction</b>	Apply a coat of copper paste to completely cover the pad backing plate abutments on each end.

### Parts Information

Description	Part Number	Qty
Lubricant	19303310 (In Canada, use 19303311)	3

### Warranty Information

For vehicles repaired under the Bumper-to-Bumper coverage (Canada Base Warranty coverage), use the following labor operation. Reference the Applicable Warranties section of Investigate Vehicle History (IVH) for coverage information.

Labor Operation	Description	Labor Time
2480038*	Cleaning and Reapplying Lubricant to Front Disc Brake Pads	0.6 hr
Add	Cleaning and Reapplying Lubricant to Rear Disc Brake Pads	0.4 hr

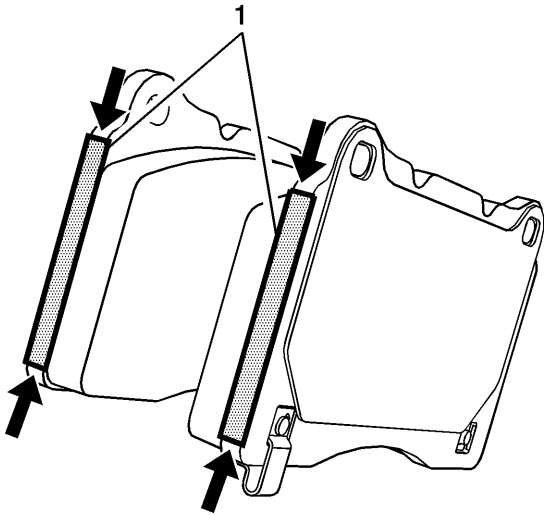
\*This is a unique Labor Operation for Bulletin use only.

## Service Procedure

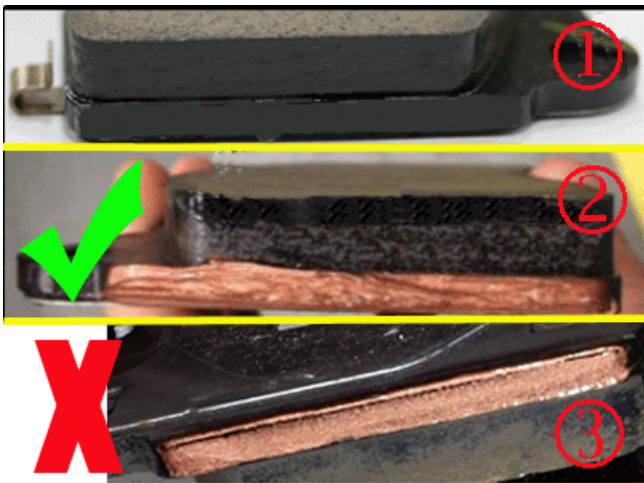
**Important:** The use of wheel cleaners or power washers directly pointed at the brake caliper may wash the copper paste off of the brake pads. It may be necessary to apply the copper paste again if the lubricant is washed away. The copper paste should be applied whenever the brake pads are removed or replaced.

Apply a coat of copper paste to completely cover the pad backing plate abutments on each end. The paste should not extend onto the friction material. Follow the instructions listed below.

### Buick Regal



1. Abutment Area



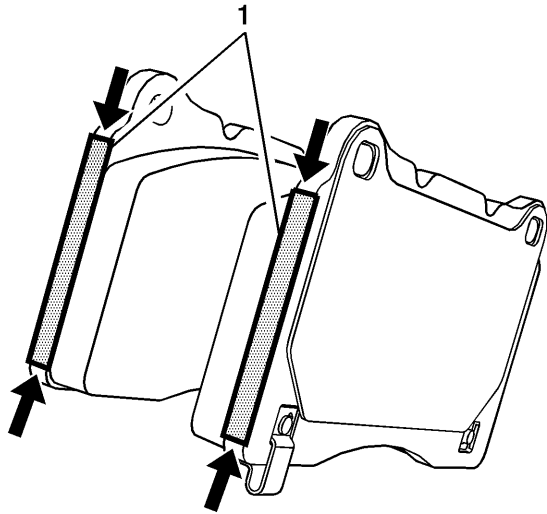
1. Cleaned Abutment Area
2. Correct Amount of Copper Paste
3. Incorrect Amount of Copper Paste

1. Remove the front disc brake pads. Refer to *Front Disc Brake Pads Replacement* in SI.

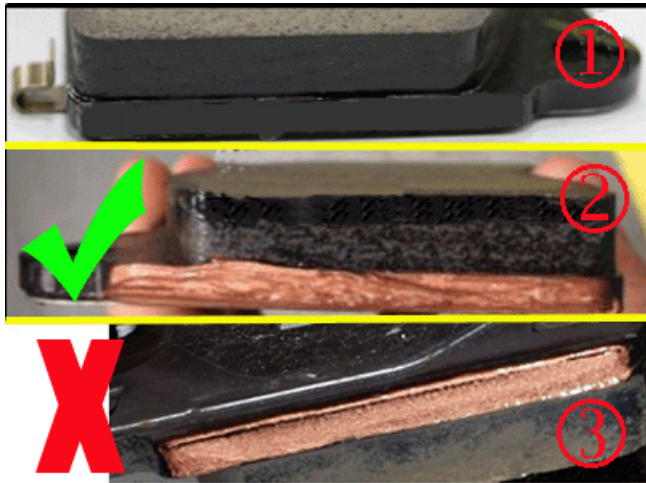
2. Using acrysol Kent Industries Part# P2005 or equivalent, wipe clean both ends of the abutment area on the front pads and calipers.
3. Apply approximately 0.10 g (0.0035 oz) of copper paste to each end of the disc brake pad abutments that contact the brake caliper bracket.
 

**Note:** Avoid a light apply of the paste as illustrated above.
4. Re-install the front disc brake pads. Refer to *Front Disc Brake Pads Replacement* in SI.

**Cadillac Models and Chevrolet Models**

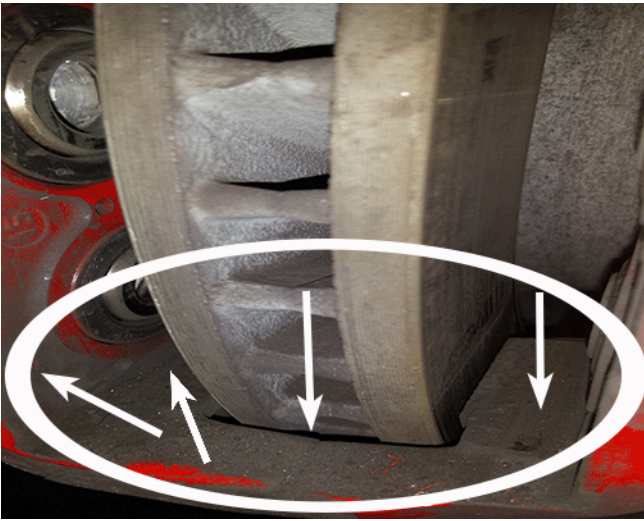


1. Abutment Area



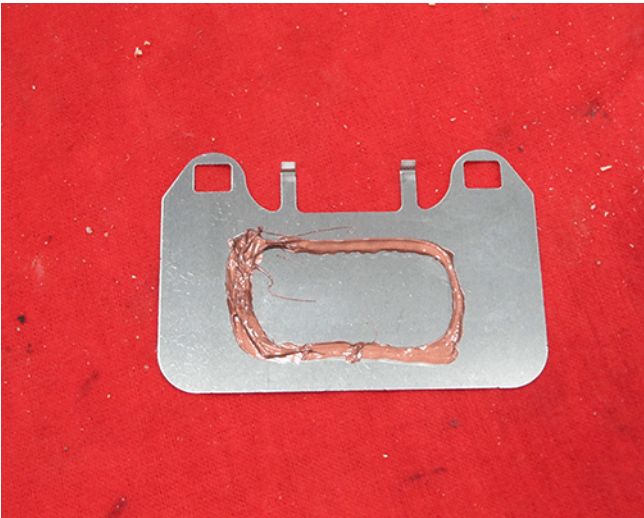
1. Cleaned Abutment Area
2. Correct Amount of Copper Paste
3. Incorrect Amount of Copper Paste

1. Remove the front disc brake pads. Refer to *Front Disc Brake Pads Replacement* in SI.
2. Remove the rear disc brake pads. Refer to *Rear Disc Brake Pads Replacement* in SI.

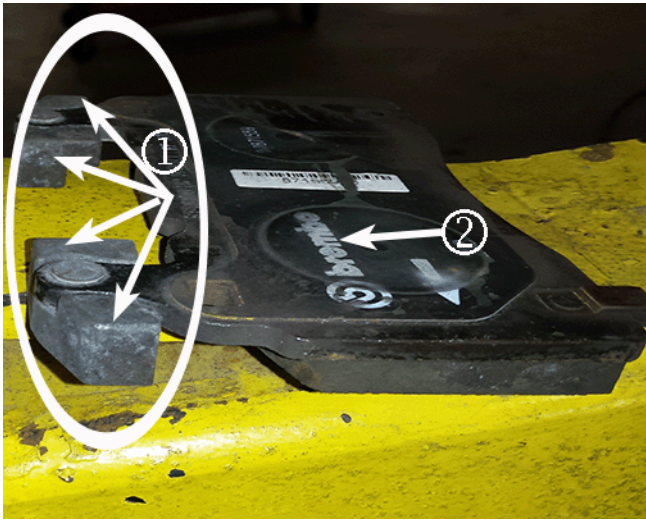


3. Using acrysol Kent Industries Part# P2005 or equivalent, wipe clean both ends of the abutment area on the front and rear pads and calipers.
4. Apply approximately 0.10 g (0.0035 oz) of copper paste to each end of the disc brake pad abutments that contact the brake caliper bracket.

**Note:** Ensure that the ends of the brake pads have enough copper paste applied, if not, could result of the noise condition returning.



5. (Chevrolet SS Models Only) Apply a rectangular shape of copper paste in the center of the spacer before installing on the back of the pad.
6. Re-install the front disc brake pads. Refer to *Front Disc Brake Pads Replacement* in SI.



**Important:** DO NOT remove the silencers (1) on the pads.

**Important:** Always replace brake pads with Brembo GM OEM pads (2). Aftermarket pads could result in the braking performance changing in many ways.

7. Re-install the rear disc brake pads. Refer to *Rear Disc Brake Pads Replacement* in SI.

<b>Version</b>	3
<b>Modified</b>	March 6, 2017 – Added the Cadillac CT6 model. March 17, 2017 - Removed an Important statement from Service Procedure.

GM bulletins are intended for use by professional technicians, NOT a "do-it-yourselfer". They are written to inform these technicians of conditions that may occur on some vehicles, or to provide information that could assist in the proper service of a vehicle. Properly trained technicians have the equipment, tools, safety instructions, and know-how to do a job properly and safely. If a condition is described, DO NOT assume that the bulletin applies to your vehicle, or that your vehicle will have that condition. See your GM dealer for information on whether your vehicle may benefit from the information.



WE SUPPORT VOLUNTARY TECHNICIAN CERTIFICATION