



Service Bulletin

TECHNICAL

Subject: Front Floor Console Rear Ashtray/Bin Door May Not Close (Align Pivot Pins)

Models: 2008-2013 Cadillac CTS (All Body Styles, Including V-Series)

Attention: This Bulletin also applies to any of the above models that may be Export vehicles.

This Bulletin has been revised to revise the Correction procedure, remove the WPC information and update the Warranty Information. Please discard Corporate Bulletin Number 08-08-49-006B.

Condition

Some customers may comment that the front floor console rear ashtray/bin door may not close.

Cause

This condition may be caused by the rear ashtray/bin door becoming disengaged from the rear floor console housing tracks.

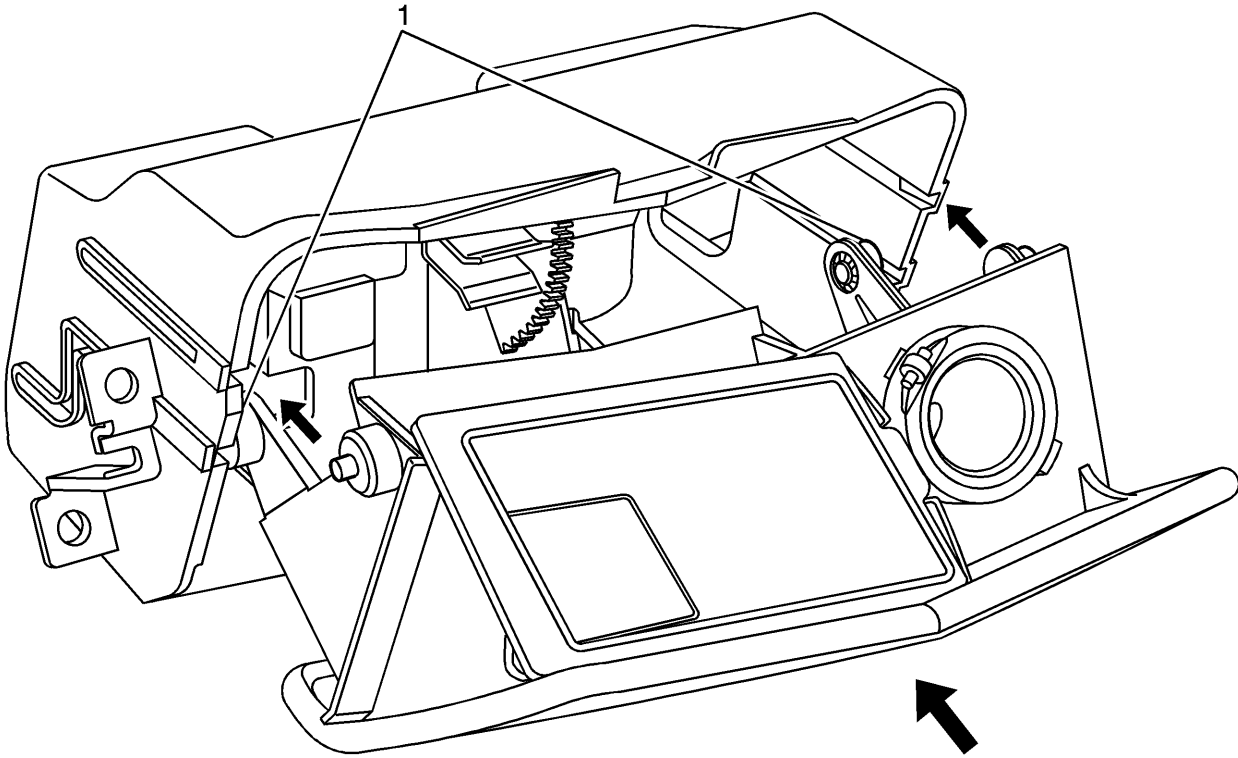
Correction

Align the inner ashtray/bin pivot pins using the procedure below.

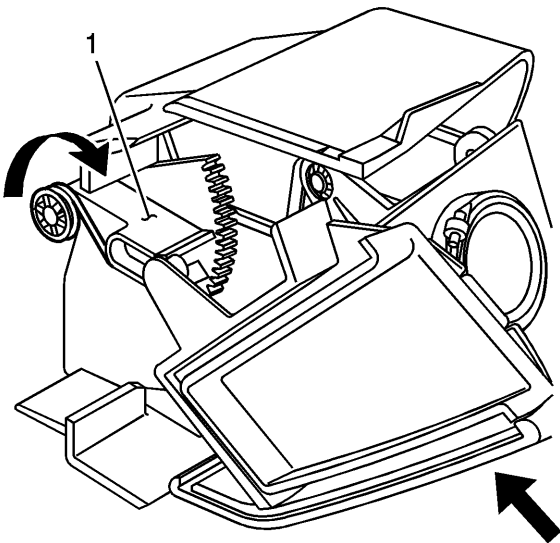
If any one of the four pins are missing, replace the assembly.

Important: Pull the console rear cover out just enough to access the four screws holding the ashtray/bin housing to the cover. The mode actuator cable should remain attached to the cover.

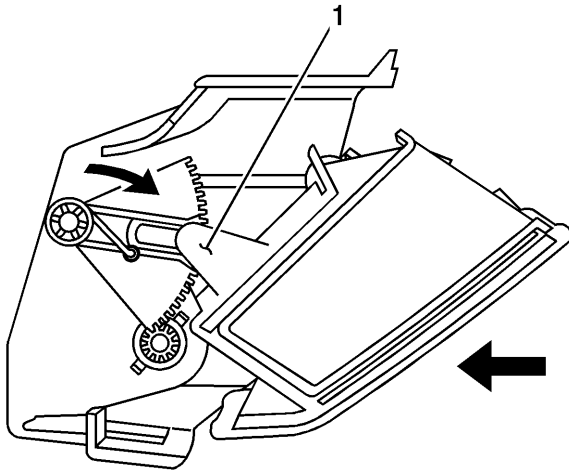
1. Remove the front floor console rear cover. Refer to Front Floor Console Rear Cover Replacement in SI.
2. Remove the four ashtray/bin screws from the rear cover.
3. Disconnect the outlet electrical connector and the harness retaining clip from the housing.
4. Remove the ashtray/bin assembly.
5. Reassemble the inner ashtray/bin door into the housing track guides and damper gear using the steps below:



5.1. Start by sliding the two lower metal pivot pins (1) on the ashtray/bin door into the track guides inside the housing. Then slide the upper two metal pins into the housing.



5.2. From the back side of the housing, rotate the damper gear so the U-shaped guide aligns with the pivot pin on the back side of the inner ashtray/bin.



- 5.3. Push on the door to engage the pivot pin onto the damper gear guide while moving the door rearward.
6. Close the door.
7. Cycle the door three complete cycles.
8. Install the ashtray/bin assembly to the console rear cover with the four screws.
Tighten: The four ashtray/bin screws to 2.5♦Y (22♦lb♦in).
9. Connect the outlet electrical connector and seat the harness retaining clip into the housing.
10. Install the front floor console rear cover.
11. Verify that the condition has been corrected.

Warranty Information

For vehicles repaired under the Bumper-to-Bumper coverage (Canada Base Warranty coverage), use the following labor operation. Reference the Applicable Warranties section of Investigate Vehicle History (IVH) for coverage information.

Labor Operation	Description	Labor Time
1080248*	Align Front Floor Console Rear Ashtray/Bin Pivot Pins	0.3 hr
*This is a unique Labor Operation for Bulletin use only. It will not be published in the Labor Time Guide.		

GM bulletins are intended for use by professional technicians, NOT a "do-it-yourselfer". They are written to inform these technicians of conditions that may occur on some vehicles, or to provide information that could assist in the proper service of a vehicle. Properly trained technicians have the equipment, tools, safety instructions, and know-how to do a job properly and safely. If a condition is described, DO NOT assume that the bulletin applies to your vehicle, or that your vehicle will have that condition. See your GM dealer for information on whether your vehicle may benefit from the information.



WE SUPPORT VOLUNTARY TECHNICIAN CERTIFICATION