



Service Bulletin

TECHNICAL

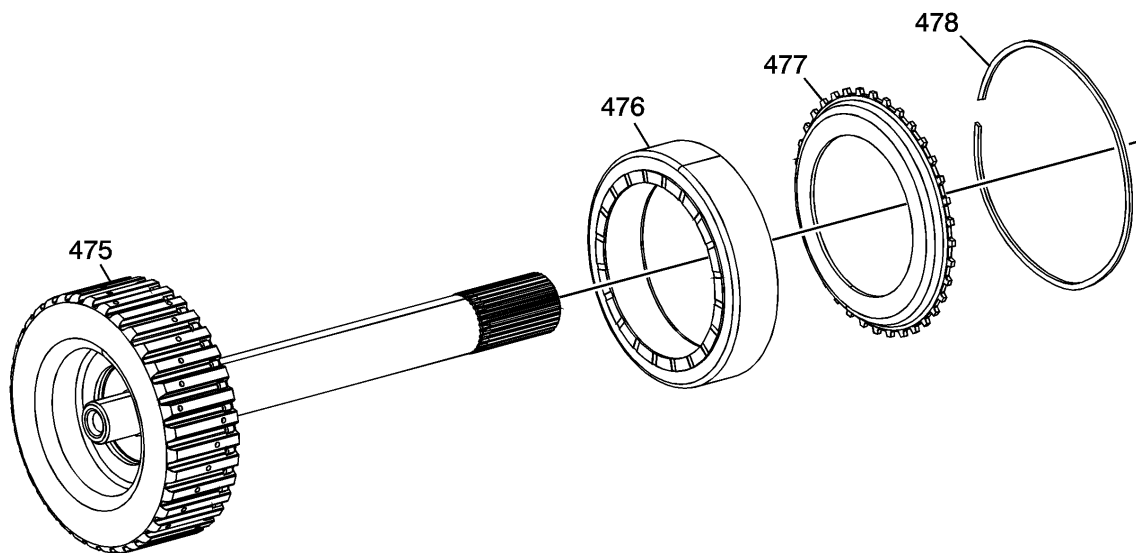
Subject: Diagnostic Tip for No Fourth, Fifth and Sixth Gears and/or Malfunction indicator Lamp Illuminated with DTC P0796

Attention: This Bulletin also applies to any of the models that may be Export vehicles.

Brand:	Model:	Model Year:		VIN:		Engine:	Transmission:
		from	to	from	to		
Chevrolet	Silverado, Suburban, Tahoe	2015	2016				6L80 (MYC) Automatic
GMC	Sierra, Yukon, Yukon XL	2015	2016				6L80 (MYC) Automatic

Condition	<p>Some customers may comment on the following conditions:</p> <ul style="list-style-type: none"> No 4th, 5th and 6th gears. Malfunction Indicator Lamp Illuminated. Technicians may find DTC P0796 as an active or history DTC.
Cause	<p>This condition may be caused by a broken 4-5-6 Clutch (w/ Output Carrier Shaft) Hub Assembly. With this condition, the fluid pan assembly will be clean containing little or no debris and the fluid will also be clean with no distress.</p>

Correction



If the 4-5-6 Clutch (w/ Output Carrier Shaft) Hub Assembly (475) is found to be broken, replacement of the assembly is required.

If DTC P0796 has set and the 4-5-6 Clutch (w/ Output Carrier Shaft) Hub Assembly is found to be broken, the Control Solenoid (w/ Body and TCM) Valve Assembly (TEHCM) is **not** the cause and should **not** be replaced.

Service Procedure

Refer to *Repair Instructions-Off Vehicle* in SI.

Warranty Information

For vehicles repaired under warranty, use:

Labor Operation	Description	Labor Time
8468030	4-5-6 Clutch Hub Replacement	Use Published Labor Operation Time

Version	1
Modified	

GM bulletins are intended for use by professional technicians, NOT a "do-it-yourselfer". They are written to inform these technicians of conditions that may occur on some vehicles, or to provide information that could assist in the proper service of a vehicle. Properly trained technicians have the equipment, tools, safety instructions, and know-how to do a job properly and safely. If a condition is described, DO NOT assume that the bulletin applies to your vehicle, or that your vehicle will have that condition. See your GM dealer for information on whether your vehicle may benefit from the information.



WE SUPPORT VOLUNTARY TECHNICIAN CERTIFICATION