



LIGHT DUTY CATALOG

600 - 8,000 LBS. AXLE CAPACITY





This information is intended as a guide for the proper specification and application of Dexter running gear, associated components and accessories.

Dexter offers a full line of trailer axles that can be used in many different applications. When specifying any pre-engineered components such as axles, it is the responsibility of the trailer designer to insure compatibility with the vehicle and all of its sub-systems.

Important Information

The information presented is meant to assist trailer manufacturers in the specification of their running gear components. Dexter does not warrant that the information given constitutes an approved trailer design or application. Dynamic loading, travel requirements unique to the trailer design, unusual service conditions, trailer configurations, unequal load distribution, hitch or coupler arrangements and towing vehicle suspension characteristics can significantly affect the performance of any trailer axle and/or suspension systems. It remains the responsibility of the trailer manufacturer to evaluate, specify and test their trailer/running gear combination before production and to certify it as such. While the information presented at the time of this writing is current, it is subject to change as designs and components evolve over time.

Disclaimer of Warranty and Limitation of Liability

All users of this product catalog acknowledge that the information presented is significantly affected by factors within the exclusive knowledge of the user including, among other things, service conditions, trailer configurations, load distributions, hitch and coupler arrangements and tow vehicle suspension characteristics, that the users have independently investigated these factors and have solely relied on those investigations when using this catalog, and that it is the responsibility of the user to adequately specify, evaluate and test its trailer/running gear combinations.

DEXTER DISCLAIMS ALL WARRANTIES, WHETHER WRITTEN, ORAL OR IMPLIED, IN FACT OR IN LAW (INCLUDING ANY WARRANTY OF MERCHANTABILITY OR FITNESS FOR A PARTICULAR PURPOSE), ASSOCIATED WITH THE USE OF THE CATALOG AND WITH ANY INFORMATION PRESENTED BY THIS CATALOG.

Dexter shall not be liable in damages (whether compensatory, punitive, direct, indirect, special, incidental or consequential) to any user of this catalog under contract, tort, strict liability or any other theory of liability, and any user agrees to indemnify and hold Dexter harmless from any and all claims, actions or other proceedings (including attorney fees and court costs) arising out of the use of this catalog to the extent said claims, actions or other proceedings do not arise out of the sole and exclusive negligence of Dexter.

Load Ratings

The maximum load carrying capacity of any assembly is limited to the lowest load rating of any individual component selected. For instance, the load rating of a pair of wheels may be lower than other axle components selected. If this is the case, the load carrying capacity of the axle assembly is reduced accordingly. As a specific example, if a pair of wheels is rated at 1500 pounds each and is used with other components rated at 4000 pounds per axle, the maximum load capacity is limited to 3000 pounds. If two tires are rated at 1400 pounds each and are used on this assembly, the maximum load carrying capacity is limited to 2800 pounds.

Axle Orientation

When working with trailer running gear, it is important to understand the various features and descriptions of the equipment. Most trailer axles are directional by nature, that is, it is imperative that they be installed onto the trailer in the proper manner to ensure brake functioning and correct wheel alignment. The front of the axle must be oriented toward the front of the trailer. The convention used to define right and left is based on viewing the trailer from the rear and facing in the direction of forward travel.



Features to help identify the front of the axle:

- Electric brake wires exit brake backing plates toward the rear of the axle.
- 12¼" hydraulic brakes have view ports through the dust shield on the back of the assembly. Where the brake lining is visible in the view port, that will indicate the rear or secondary shoe which is always oriented toward the rear of the axle.
- Slipper springs have the spring eye at the front of the axle.
- Leaf spring axles with inner wiring have the wires exit the tube toward the rear of the axle.
- Torflex® axles have the wheel center trailing behind the axle tube.
- Axles using ¾" spherical ball seat wheel nuts will have right and left handed threads. The right handed thread must be on the right end or curb side of the axle while the left handed thread will be on the left end or road side of the axle.

Stub Axle Disclaimer

A stub axle is described as a trailer axle spindle, welded to a short length of tubing. Stub axles may be specified and purchased as plain spindle/tube weldments or they may be fully assembled wheel end units, with or without trailer brakes.

These incomplete axles are sold to manufacturers who wish to incorporate them into a variety of applications such as specialty vehicular axles, belt tensioning devices, machinery pivot points, etc. **Dexter has no control of the design intent of these special applications and therefore cannot apply a rating or capacity to these components.**

The spindle/tube connection has been designed for suitable stress levels when used in a trailer axle, mounted to an approved suspension system and loaded to no more than the stated capacity. The use of all or part of the product for applications other than its intended purpose may not be appropriate. It is the customers' responsibility to determine the efficacy and safety of their particular application.

Torflex® axles can also be purchased as stub axles. This type of axle incorporates a self-contained suspension system. They can be specified as stub assemblies that will be rated for capacity when fitted with approved mounting brackets. The stated capacity will be based on the lowest rated component in each assembly.

These stub assemblies are essentially half axles that are intended to be mounted to the trailer chassis independent of each other. The trailer manufacturer must assume responsibility for the integrity of the attachment as well as the final wheel alignment since independent mounting puts these critical aspects out of Dexter's control. If used in pairs of unequal capacity, the trailer manufacturer should assign a Gross Axle Weight Rating of not more than two times the capacity of the lower rated sub assembly.

GAL-DEX®

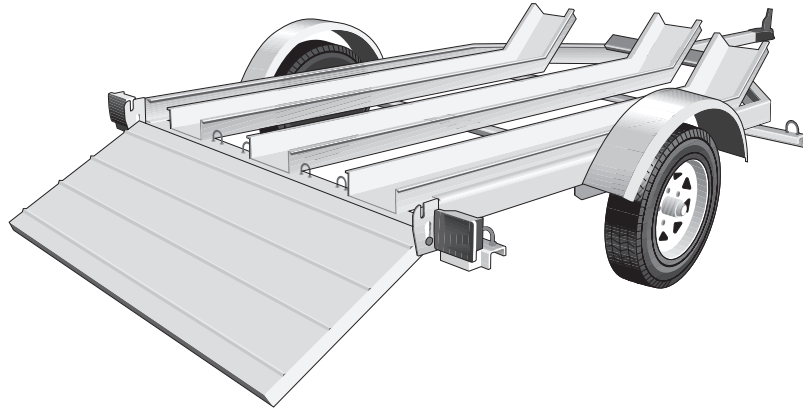
GAL-DEX® is a galvanic coating used for corrosion protection of equipment in marine applications and is available on popular hubs and hub-drums and attaching parts.

- GAL-DEX® coating is a process that coats parts by overlapping zinc and aluminum flakes in an inorganic binder.
- Barrier protection – coating serves as a barrier between steel substrate and elements.
- Galvanic action – the zinc corrodes to protect the steel.
- Passivation – the metal oxide slows down the corrosion reaction (3 times greater protection than pure zinc).
- Self-repairing – coating migrates to damaged areas and restores barrier protection.
- Corrosion resistance – provides Salt Spray protection in excess of 1,000 hours.

Table of Contents



600-1100 Lbs. Capacity	#8 Torflex®	4
Torflex® Application Information		5
Hub Groups.....		7
Brakes		8
1000-2200 Lbs. Capacity	#9 Torflex® / D20 Leaf Spring	11
Torflex® Application Information		12
Leaf Spring Application Information		14
Hub Groups.....		15
Brakes		16
2300-4000 Lbs. Capacity	#10, #10F & #10L Torflex® / D30 & D35 Leaf Spring	19
Torflex® Application Information		20
Leaf Spring Application Information		22
Hub Groups.....		24
Brakes		28
4100-6000 Lbs. Capacity	#11 Torflex® / D44, D52, & D60 Leaf Spring	40
Torflex® Application Information		41
Leaf Spring Application Information		43
Hub Groups.....		45
Brakes		49
5500-7000 Lbs. Capacity	#12 & #12T Torflex® / D60 & D70 Leaf Spring	58
Torflex® Application Information		59
Leaf spring Application Information.....		63
Hub Groups.....		65
Brakes		67
Airflex® Suspension System.....		80
7200 Lbs. Capacity	#12V Torflex® / D72 Leaf Spring	83
Torflex® Application Information		84
Leaf Spring Application Information		86
Hub Groups.....		88
Brakes		90
Airflex® Suspension System.....		92
8000 Lbs. Capacity	#13 & #13T Torflex® / D80 Leaf Spring	94
Torflex® Application Information		95
Leaf Spring Application Information		97
Hub Groups.....		99
Brakes		101
Airflex® Suspension System.....		110
Miscellaneous		
Wheels and Tires		113
Hanger and Attaching Parts Kits.....		114
Torflex® Installation.....		116
Dexter Axle Limited Warranty.....		119
Video Gallery		
Dexter Video Gallery		120



Axle Types

600-1100 Lbs. Capacity

- Ideal application for light utility, for hauling personal watercraft and motorcycles
- Complete service manual
- Heavy duty 1 1/16" spindle design
- Precision machined steel spindles and integral cast iron hub/drums
- Short version spindle for trailers with extremely short overhangs
- 7" x 1 1/4" electric and 7" x 1 3/4" hydraulic brakes
- Electric brakes are available with and without parking feature
- Standard grease lubrication; E-Z Lube® option
- Lower cost



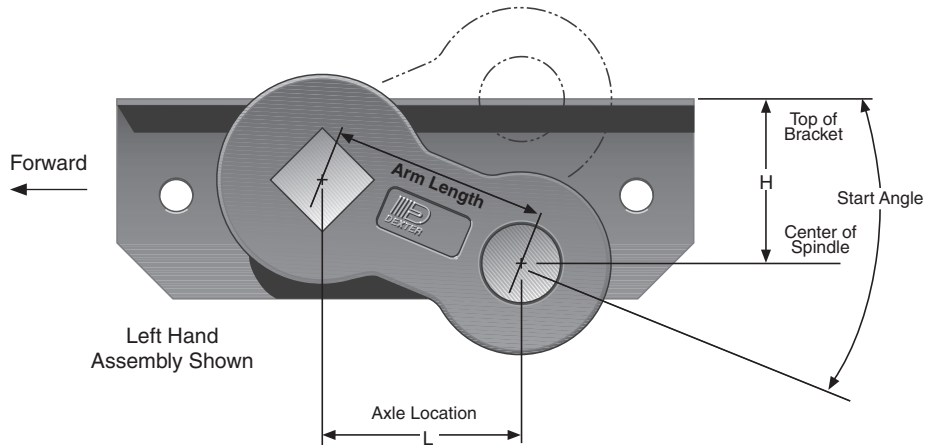
- Totally rubber-cushioned for smooth, quiet, independent ride
- Easy installation with less maintenance
- Less transfer of road shock which insulates cargo from road shocks and vibration
- Rubber cords compounded for maximum dependability and durability
- Load-carrying cross member
- Self-damping action
- Independent wheel suspension system
- 10 year limited warranty on Torflex® suspension system
- Low profile for maximum road clearance
- Various starting angles to control trailer height
- Low profile brackets available
- Rubber cushioning eliminates metal-to-metal contact
- Shock absorption provided by the natural hysteresis of rubber
- Single or tandem axle assemblies
- Durable, wear-resistant components

CAUTION: Triple axle assemblies are NOT recommended for #8 Torflex® axles.



Articulation Dimensions

Dimensions are for low profile, top mount only. Side mount is .18" higher. Allow 3" bump clearance from full load.



Start Angle	Bracket Profile	No Load		Full Load		Shock Load	
		H	L	H	L	H	L
45° Down	Low	3.84	2.83	2.54	3.70	1.79	3.92
32° Down	Low	3.13	3.39	1.67	3.95	0.89	4.00
22.5° Down	Low	2.54	3.70	1.01	4.00	0.23	3.92
10° Down	Low	1.70	3.94	0.14	3.91	-0.60	3.66
0°	Low	1.01	4.00	-0.52	3.70	-1.21	3.33
10° Up	Low	0.32	3.94	-1.14	3.37	-1.76	2.89
22.5° Up	Low	-0.52	3.70	-1.82	2.83	-2.32	2.22

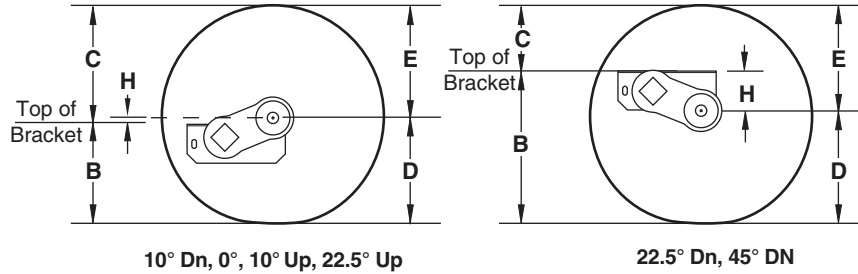
H = Height
L = Length

Note: Positive numbers in the H column indicate the spindle is BELOW the top of the bracket. Conversely, negative numbers are ABOVE the top of the bracket.



Full Load Dimensions

Dimensions are for low profile, top mount only. Side mount is .18" higher. Allow 3" bump clearance from full load.



Start Angle

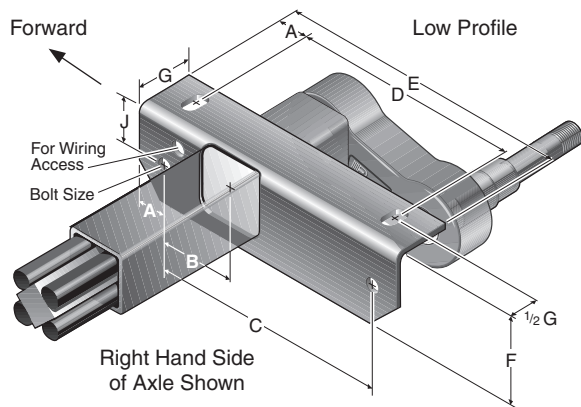
Tire	45° Down					32° Down					22.5° Down		
	D	E	H	B	C	D	E	H	B	C	H	B	C
ST175/80R13	11.2	12.0	2.5	13.7	9.5	11.2	12.0	1.7	12.9	10.3	1.0	12.2	11.0
4.80-8	7.9	8.8	2.5	10.4	6.3	7.9	8.8	1.7	9.6	7.1	1.0	8.9	7.8
4.80-12	9.5	10.8	2.5	12.0	8.3	9.5	10.8	1.7	11.2	9.1	1.0	10.5	9.8
20.5 x 8.0-10	9.7	10.8	2.5	12.2	8.3	9.7	10.8	1.7	11.4	9.1	1.0	10.7	9.8

Columns D and E are dimensional examples only:

D – Static Loaded Radius

E – Inflated Radius

Tire	10° Down			0°			10° Up			22.5° Up		
	H	B	C	H	B	C	B	C	H	B	C	
ST175/80R13	0.1	11.3	11.9	-0.5	10.7	12.5	-1.1	10.1	13.1	-1.8	9.4	13.8
4.80-8	0.1	8.0	8.7	-0.5	7.4	9.3	-1.1	6.8	9.9	-1.8	6.1	10.6
4.80-12	0.1	9.6	10.7	-0.5	9.0	11.3	-1.1	8.4	11.9	-1.8	7.7	12.6
20.5 x 8.0-10	0.1	9.8	10.7	-0.5	9.2	11.3	-1.1	8.6	11.9	-1.8	7.9	12.6

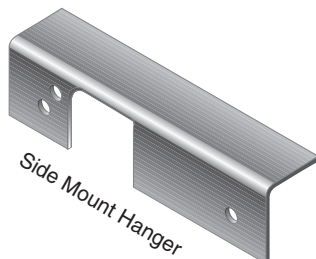


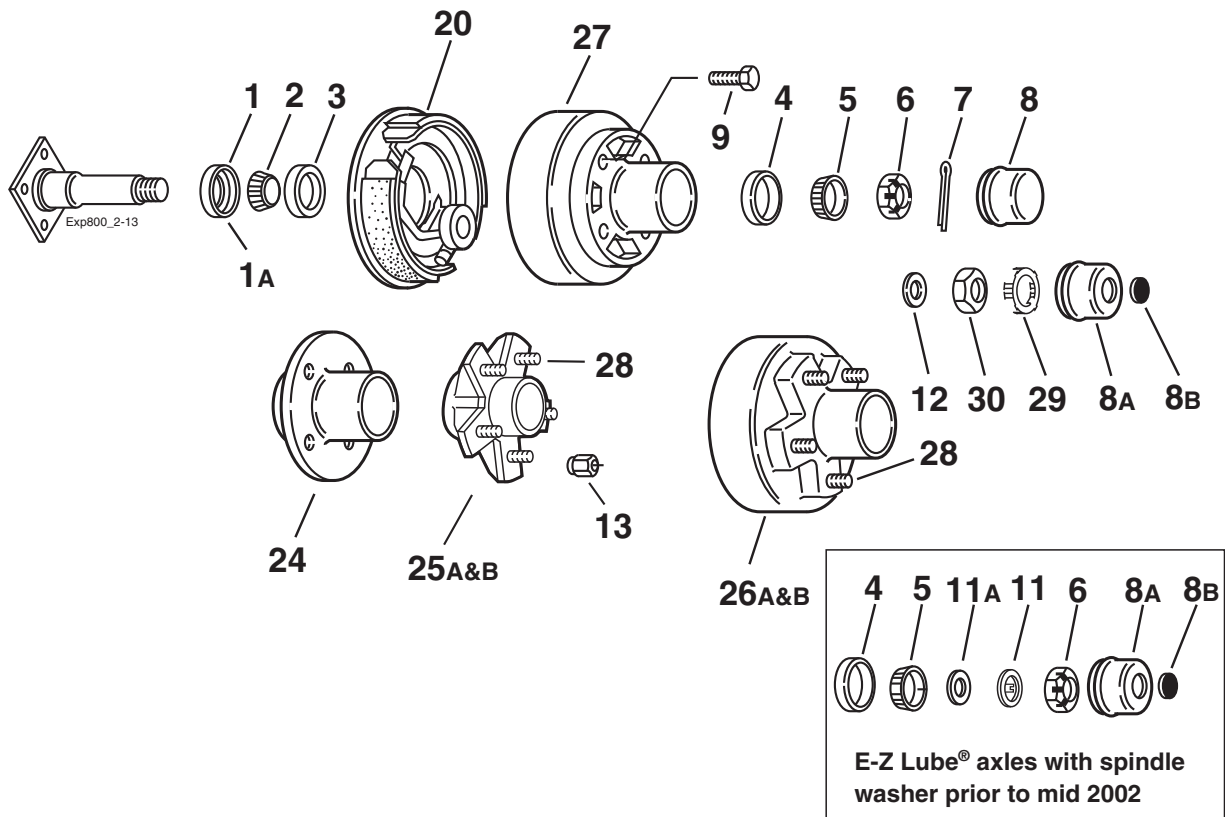
#8 Bracket Dimensions

	Low
A	1.00
B	2.38
C	8.00
D	7.75
E	10.00
F	2.88
G	2.00
J	1.57
Bolt Size	1/2" bolt
Tube Size	1.75

#8 Overhang Per Side

Spindle	Min.	Max.
Short	4.75"	9.04"
Standard	6.00"	9.04"





Grease Lube Parts

Item	Part No.	Description
1	010-009-00	Grease Seal
1A	010-060-00	Grease Seal for E-Z Lube®
2	031-031-02	L44649 Inner Bearing Cone
3	031-031-01	L44610 Inner Bearing Cup
4	031-031-01	L44610 Outer Bearing Cup
5	031-031-02	L44649 Outer Bearing Cone
6	006-176-00	Spindle Nut
7	019-002-00	Cotter Pin (not used with E-Z Lube®)
8	021-003-00	Grease Cap
8A	021-041-01	Grease Cap for E-Z Lube®
8B	085-001-00	Rubber Plug for E-Z Lube®
9	007-040-00	Wheel Bolt
11	005-101-00	Tang Washer for E-Z Lube® (before 2002)
11A	005-151-00	Spindle Washer for E-Z Lube® (before 2002)
12	005-023-00	Spindle Washer for E-Z Lube® (after 2002)
29	006-190-00	Spindle Nut Retainer for E-Z Lube® (after 2002)
30	006-191-00	Special Jam Nut for E-Z Lube® (after 2002)

Brakes

Item	Part No.	Description
20	K23-047-00/K23-048-00	LH/RH 7"x1¼" Electric
ns	K23-103-00/K23-104-00	LH/RH 7"x1¼" Electric w/park
ns	K23-398-00/K23-399-00	LH/RH 7"x1¼" Hydraulic Uni-servo

ns - not shown

Note: Spindle is not available for resale.

Hubs

Item	Part No.	Description	Bolt Circle
Hubs and Drums			
ns	008-173-16	½" Studs, elec. brakes ONLY	4 on 4.00
ns	008-276-05	½" Studs, hyd. brakes ONLY	4 on 4.00
26A	008-257-05	½" Studs, elec. brakes ONLY	5 on 4.50
26B	008-271-07	½" Studs, hyd. brakes ONLY	5 on 4.50
27	008-173-15	½" Tapped, elec. brakes ONLY	4 on 4.00
ns	008-257-04	½" Tapped, elec. brakes ONLY	5 on 4.50
ns	008-271-04	½" Tapped, hyd. brakes ONLY	5 on 4.50
Plain Hubs			
ns	008-091-05	½" Studs	4 on 4.00
24	008-091-04	½" Tapped	4 on 4.00
25A	008-259-05	½" Studs, 8"-12" wheels ONLY	5 on 4.50
25B	008-258-05	½" Studs, 13"-15" wheels ONLY	5 on 4.50
ns	008-259-04	½" Tapped, 8"-12" wheels ONLY	5 on 4.50
ns	008-258-04	½" Tapped, 13"-15" wheels ONLY	5 on 4.50

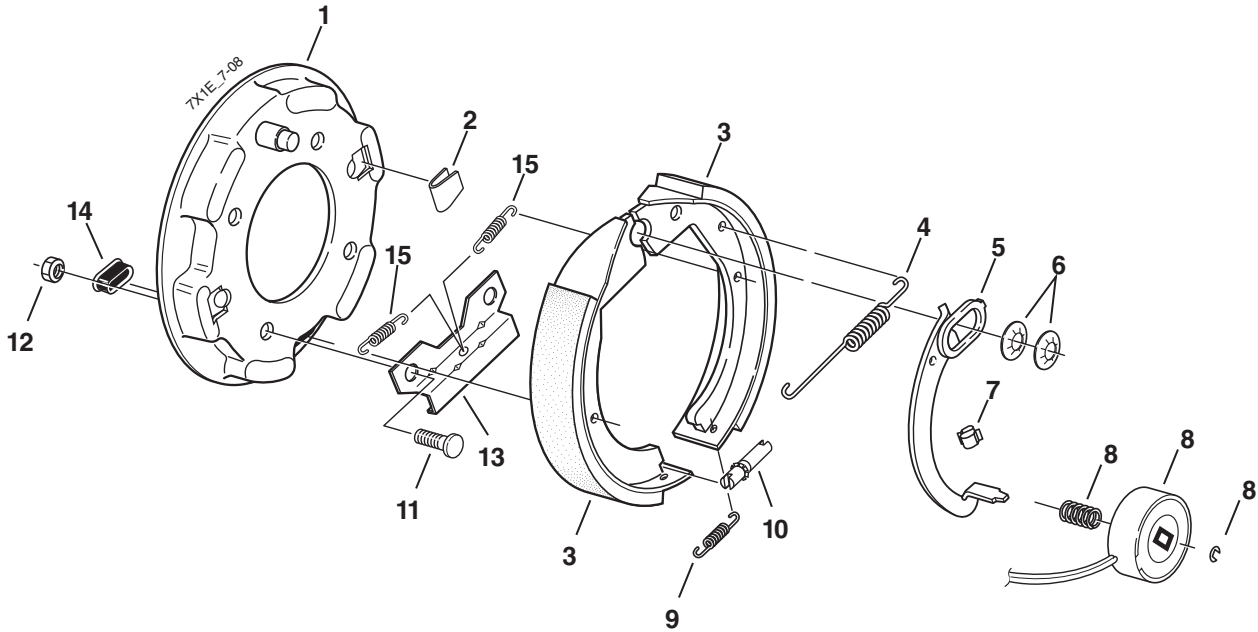
Studs & Wheel Nuts

Item	Part No.	Description
9	007-040-00	½-20 Wheel Bolt
13	006-080-00	½-20 60° Cone Nut
28	007-246-00	½-20 Press-in Stud

7" x 1¼" Electric Brake



Torflex® CSA approved at 2000#/11.3 SLR; 2200#/10.2 SLR
 Sprung CSA approved at 2000#/12.8 SLR; 2200#/10.2 SLR



Electric Brake

Item	Part No.	Qty/Brk	Description
0	K23-047-00	1	LH Complete Brake Assembly (shown)
0	K23-048-00	1	RH Complete Brake Assembly
1	036-036-04	1	Backing Plate Assembly (includes items #11, 13)
2	046-023-00	2	Shoe Hold Down Clip
3	K71-045-00	1	Shoe & Lining Kit Contains: 1 #040-125-00 Primary Shoe & Lining 2 #040-049-00 Secondary Shoe & Lining
4	046-024-00	1	Retractor spring
5	047-114-04	1	LH Actuating Lever Arm
5	047-115-04	1	RH Actuating Lever Arm
6	046-030-00	2	Anchor Post Clip
7	027-005-00	1	Wire Clip
For brakes manufactured after 4/1/90			
8	K71-057-00	1	Magnet Kit Contains: 1 #042-134-00 Magnet 1 #046-121-00 Magnet Clip 1 #046-086-00 Magnet Spring
9	046-022-00	1	Adjusting Screw Spring
10	043-021-00	1	Adjusting Screw
11	007-041-00	4	Brake Mounting Bolt - Press-in
*12	006-017-00	4	Brake Mounting Nut
13	064-001-00	1	Stabilizer Bracket
14	046-007-00	1	Adjuster Slot Plug
For brakes manufactured after 8/1/91			
15	046-114-00	2	Shoe Centering Spring

* Not included with complete brake assembly. Item sold separately.

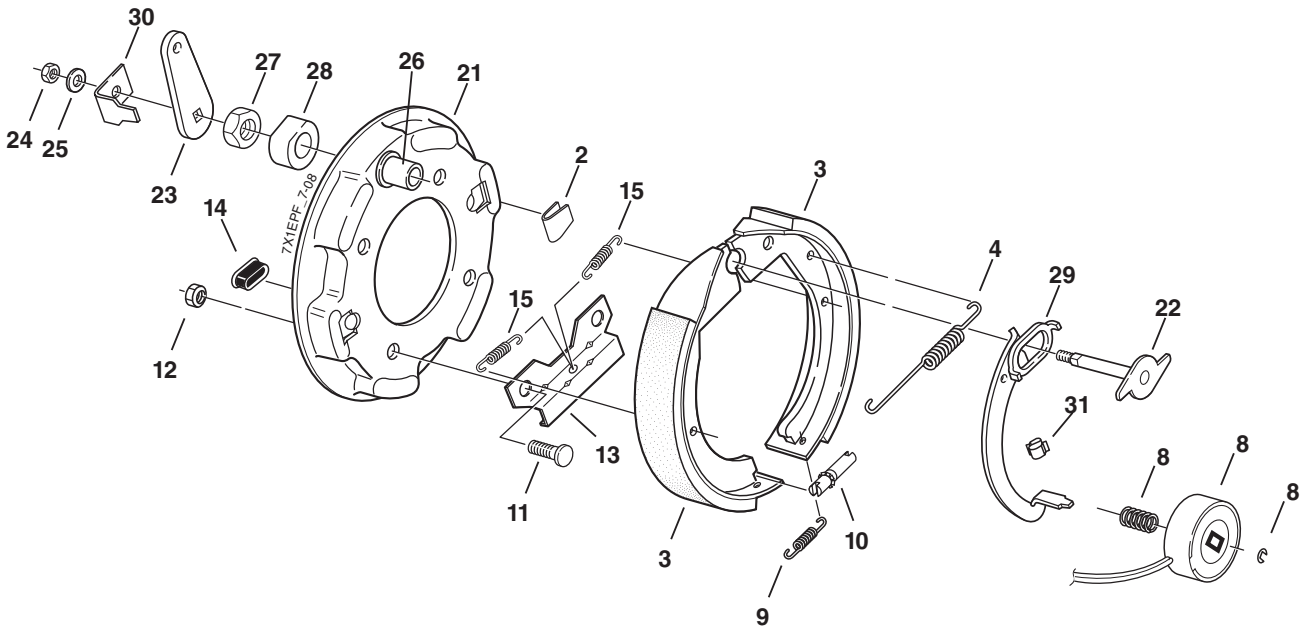
This brake is rated to a maximum capacity of 2200 lbs. / pair

7" x 1¼" Electric Brake With Parking Feature



CSA approved at 2000#/11.3 SLR; 2200#/10.2 SLR

600 - 1100 LBS. CAPACITY



Electric Parking Brake

Item	Part No.	Qty/Brk	Description
0	K23-103-00	1	LH Complete Brake Assembly (shown)
0	K23-104-00	1	RH Complete Brake Assembly
2	046-023-00	2	Shoe Hold Down Clip
3	K71-045-00	1	Shoe & Lining Kit Contains: 1 #040-125-00 Primary Shoe & Lining 2 #040-049-00 Secondary Shoe & Lining
4	046-024-00	1	Retractor spring
For brakes manufactured after 4/1/90			
8	K71-057-00	1	Magnet Kit Contains: 1 #042-134-00 Magnet 1 #046-121-00 Magnet Clip 1 #046-086-00 Magnet Spring
9	046-022-00	1	Adjusting Screw Spring
10	043-021-00	1	Adjusting Screw
11	007-041-00	4	Brake Mounting Bolt - Press-in
*12	006-017-00	4	Brake Mounting Nut
13	064-001-00	1	Stabilizer Bracket
14	046-007-00	1	Adjuster Slot Plug
For brakes manufactured after 8/1/91			
15	046-114-00	2	Shoe Centering Spring

* Not included with complete brake assembly. Item sold separately.

Electric Parking Brake

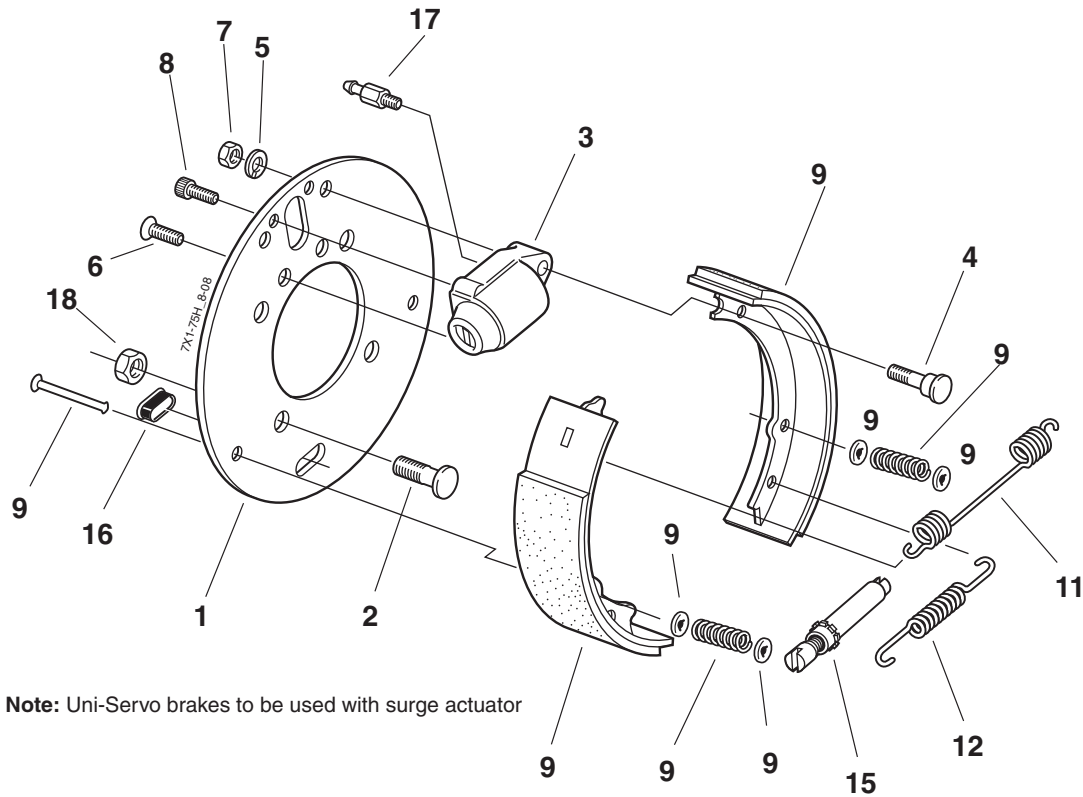
Item	Part No.	Qty/Brk	Description
21	036-036-07	1	LH Backing Plate & Lever Arm (includes items #22-30, 2, 11, 13)
21	036-036-08	1	RH Backing Plate & Lever Arm (includes items #22-30, 2, 11, 13)
22	039-041-00	1	LH Pivot Pin & Cam Sub-Assembly
22	039-042-00	1	RH Pivot Pin & Cam Sub-Assembly
23	047-079-00	1	Lever
24	006-075-00	1	Self Locking Nut
25	005-056-00	1	Washer
26	038-057-00	1	Anchor Pin
27	006-074-00	1	Self Locking Nut
28	071-031-00	1	Spacer
29	047-114-02	1	LH Lever Arm & Cam Assembly
29	047-115-02	1	RH Lever Arm & Cam Assembly
30	071-033-00	1	Lever Stop
31	027-005-00	1	Wire Clip

This brake is rated to a maximum capacity of 2200 lbs. / pair

7" x 1 3/4" Hydraulic Brake



CSA approved at 2500#/11.2 SLR



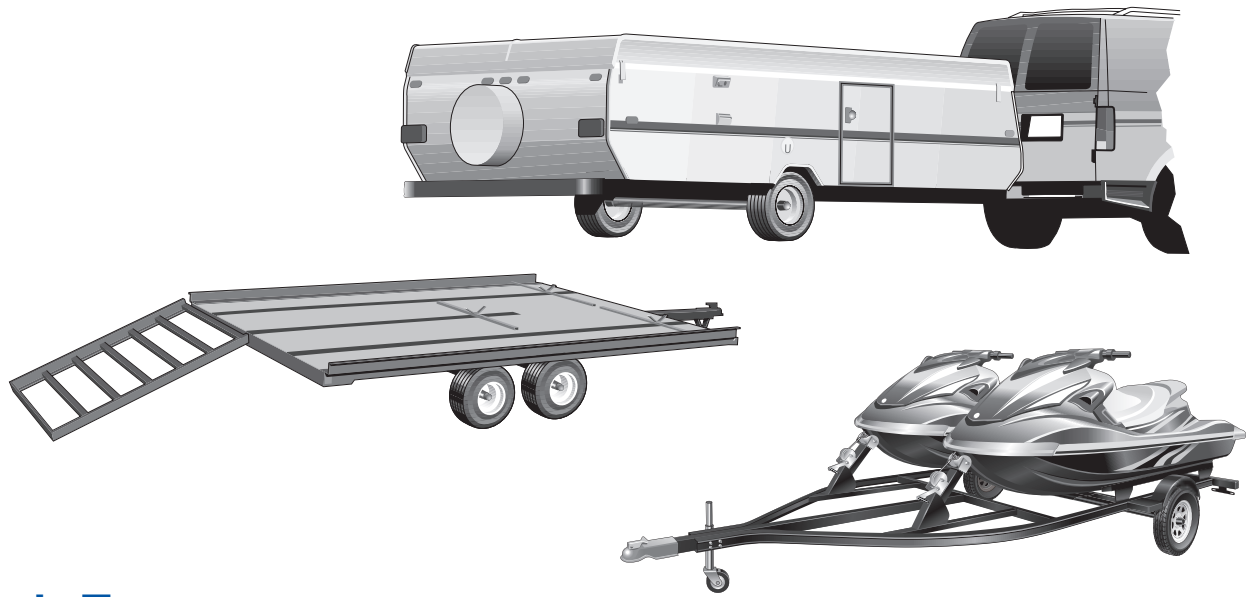
Note: Uni-Servo brakes to be used with surge actuator

Hydraulic Brake

Item	Part No.	Qty/Brk	Description
0	K23-398-00	1	LH Complete Brake Assembly (shown)
0	K23-399-00	1	RH Complete Brake Assembly
1	036-038-00	1	Backing Plate
2	007-041-00	4	Brake Mounting Bolt - Press-in
3	054-080-03	1	Wheel Cylinder Assembly - LH (includes item #17)
3	054-080-04	1	Wheel Cylinder Assembly - RH (includes item #17)
4	038-072-00	1	Anchor Post
5	005-004-00	1	Lock Washer
6	007-235-00	1	Counter Sunk Cap Screw
7	006-010-00	1	Hex Nut
8	007-234-00	1	Socket Head Cap Screw
9	K71-466-00	1	Shoe & Lining Kit Contains: 1 #040-327-01 Primary Shoe & Lining 1 #040-328-01 Secondary Shoe & Lining 2 #046-006-00 Shoe Hold Down Spring 4 #035-001-00 Shoe Hold Down Spring Cup 2 #049-014-00 Shoe Hold Down Pin
11	046-126-00	1	Retractor spring
12	046-127-00	1	Adjusting Screw Spring
15	043-004-00	1	Adjuster Screw Assembly
16	046-007-00	1	Adjuster Slot Plug
17	054-084-00	1	Bleeder Screw 6mm Thread (brakes before 1/97)
17	054-088-00	1	Bleeder Screw 7mm Thread (brakes after 1/97)
*18	006-017-00	4	Brake Mounting Nut

* Not included with complete brake assembly. Item sold separately.

This brake is rated to a maximum capacity of 2500 lbs. / pair



Axle Types

1000-2200 Lbs. Capacity

- Complete service manual
- Heavy duty 1 1/16" spindle design
- Precision machined steel spindles and integral cast iron hub/drums
- CSA approved 7" x 1 1/4" electric and 7" x 1 3/4" hydraulic brakes
- Electric brakes are available with and without parking feature
- Standard grease lubrication; E-Z Lube® option
- Press-in wheel studs
- Inner wiring system for easier installation and protection of brake wiring
- Optional hot dipped galvanized axle beam
- Optional GAL-DEX® coated cast iron hub



D20 LEAF SPRING



- Designed for light-capacity trailers
- Designed for travel trailers being towed by smaller automobiles
- High strength 1 3/4" diameter tube for straight axles and 2 3/4" for drops
- Straight or Drop spindles (4" drop only)
- High quality alloy steel springs in a variety of capacities
- Single, tandem, or triple axle assemblies with equalized suspensions
- Slipper spring or double eye leaf spring suspension
- Optional hanger and attaching parts kits available
- Durable, wear-resistant components
- Optional stainless steel wear sleeves for grease seal journal
- Available in drop center V-bend axle beam
- 5 year limited warranty

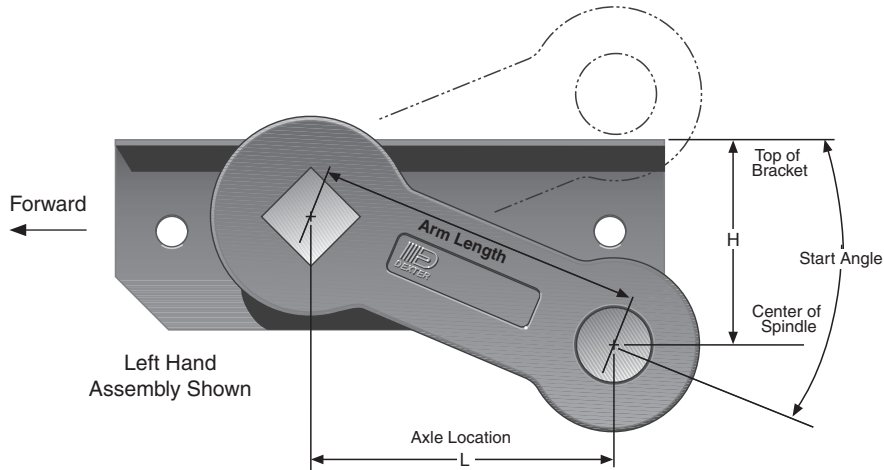
- Designed for fold-down campers, light utility, boat trailer applications
- Totally rubber-cushioned for smooth, quiet, independent ride
- Easy installation with less maintenance
- Less transfer of road shock which insulates cargo from road shocks and vibration
- Rubber cords compounded for maximum dependability and durability
- Load-carrying cross member
- Self-damping action
- Independent wheel suspension system
- 10 year limited warranty on Torflex® suspension system
- Low profile for maximum road clearance
- Various starting angles to control trailer height
- High and low profile brackets with optional mounting brackets available
- Rubber cushioning eliminates metal-to-metal contact
- Shock absorption provided by the natural hysteresis of rubber
- Single or tandem axle assemblies
- Durable, wear-resistant components
- Optional stainless steel wear sleeves for grease seal journal
- Available in drop center V-bend axle beam

CAUTION: Triple axle assemblies are NOT recommended for #9 Torflex® axles.



Articulation Dimensions

Dimensions are for top mount only. Side mount is .18" higher. Allow 3" bump clearance from full load.



Start Angle	Bracket Profile	No Load		Full Load		Shock Load	
		H	L	H	L	H	L
45° Down	Low	5.46	4.24	3.52	5.54	2.39	5.88
	High	6.33	4.24	4.39	5.54	3.26	5.88
32° Down	Low	4.40	5.09	2.21	5.92	1.04	6.00
	High	5.27	5.09	3.08	5.92	1.91	6.00
22.5° Down	Low	3.52	5.54	1.22	6.00	0.05	5.88
	High	4.39	5.54	2.09	6.00	.92	5.88
10° Down	Low	2.26	5.91	-0.08	5.86	-1.20	5.49
	High	3.13	5.91	0.79	5.86	-0.33	5.49
0°	Low	1.22	6.00	-1.08	5.54	-2.11	4.99
	High	2.09	6.00	-0.21	5.54	-1.24	4.99
10° Up	Low	0.18	5.91	-2.00	5.06	-2.93	4.33
	High	1.05	5.91	-1.13	5.06	-2.06	4.33
22.5° Up	Low	-1.08	5.54	-3.02	4.24	-3.77	3.33
	High	-0.21	5.54	-2.15	4.24	-2.90	3.33

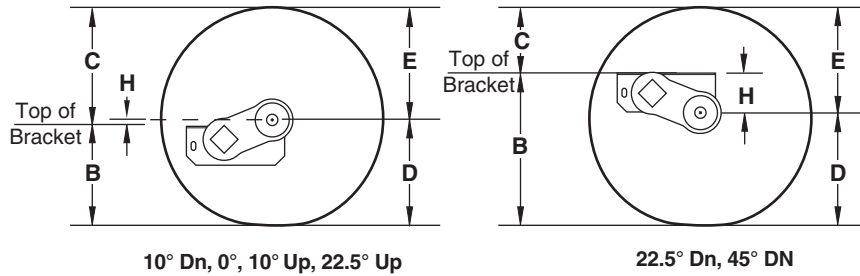
H = Height
L = Length

Note: Positive numbers in the H column indicate the spindle is BELOW the top of the bracket. Conversely, negative numbers are ABOVE the top of the bracket.



Full Load Dimensions

Dimensions are for low profile, top mount only. High profile brackets are .88" higher. Side mount is .18" higher. Allow 3" bump clearance from full load.



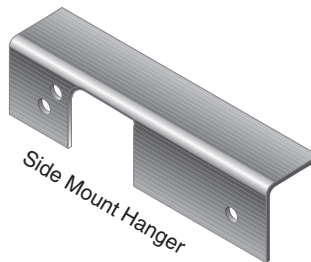
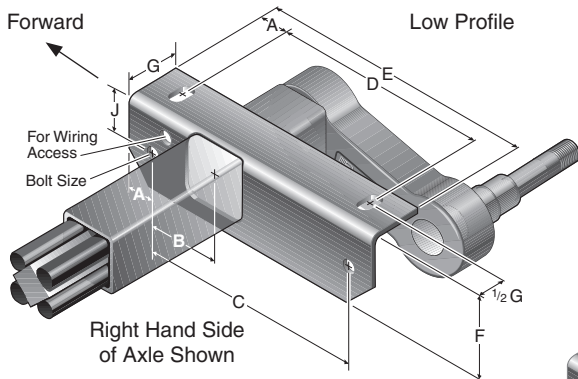
Start Angle

Tire	45° Down					32° Down					22.5° Down		
	D	E	H	B	C	D	E	H	B	C	H	B	C
ST175/80R13	11.2	12.0	3.5	14.7	8.5	11.2	12.0	2.2	13.4	9.8	1.2	12.4	10.8
4.80-8	7.9	8.8	3.5	11.4	5.3	7.9	8.8	2.2	10.1	6.6	1.2	9.1	7.6
4.80-12	9.5	10.8	3.5	13.0	7.3	9.5	10.8	2.2	11.7	8.6	1.2	10.7	9.6
20.5 x 8.0-10	9.7	10.8	3.5	13.2	7.3	9.7	10.8	2.2	11.9	8.6	1.2	10.9	9.6

Columns D and E are dimensional examples only:

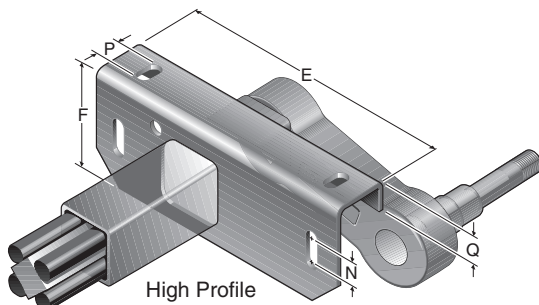
- D – Static Loaded Radius
- E – Inflated Radius

Tire	10° Down			0°			10° Up			22.5° Up		
	H	B	C	H	B	C	H	B	C	H	B	C
ST175/80R13	-0.1	11.1	12.1	-1.1	10.1	13.1	-2.0	9.2	14.0	-3.0	8.2	15.0
4.80-8	-0.1	7.8	8.9	-1.1	6.8	9.9	-2.0	5.9	10.8	-3.0	4.9	11.8
4.80-12	-0.1	9.4	10.9	-1.1	8.4	11.9	-2.0	7.5	12.8	-3.0	6.5	13.8
20.5 x 8.0-10	-0.1	9.6	10.9	-1.1	8.6	11.9	-2.0	7.7	12.8	-3.0	6.7	13.8



#9 Bracket Dimensions

	Low	High
A	1.00	1.00
B	2.38	2.38
C	8.00	8.00
D	7.75	7.75
E	10.00	10.00
F	2.88	3.75
G	2.00	2.00
J	1.57	1.57
N	----	.86
P	.94	.94
Q	1.00	1.00
Bolt Size	1/2" bolt	
Tube Size	2.17	2.17



#9 Overhang Per Side

Spindle	Min.	Max.
Short	6.00"	10.90"
Standard	6.50"	10.90"

Leaf Spring Application Information



Double Eye Springs

For Standard 33" Axle Spacing
 Single A/P-122-00
 Tandem A/P-233-00
 Triple A/P-335-00

	Spring Length		
	21"	24"	26"
A	19.62	23.50	25.75
B	25.00	27.50	29.50
C	28.75	31.00	33.00
D	10.62	12.00	13.00
E	28.75	31.00	33.00

For Optional 35" Axle Spacing
 Tandem A/P-264-00
 Triple A/P-364-00

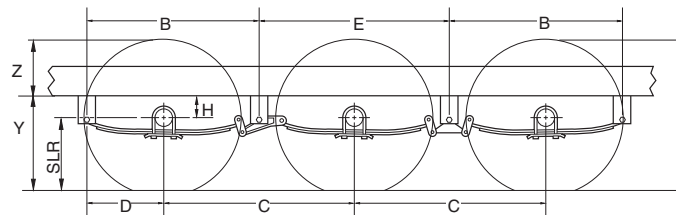
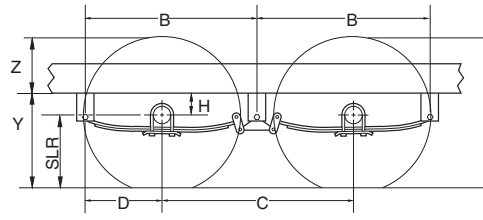
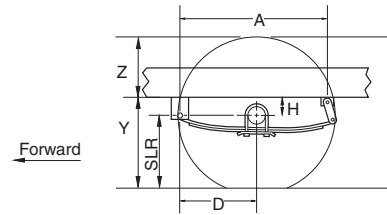
	Spring Length		
	21"	24"	26"
B	26.00	28.50	30.50
C	30.80	33.00	35.00
D	10.62	12.00	13.00
E	30.80	33.00	35.00

D20 Overhang Per Side

	Min.	Max.
Straight	5.75"	7.62"
Drop	7.62"	9.00"

A, B, E – Hanger Spacing
 C – Axle Spacing
 D – Axle Location
 H – Center of Spindle
 Y – Frame Height
 Z – Top of Tire to Bottom of Frame
 SLR – Static Load Radius

To determine these values, contact your local sales engineer or distributor to run ProSpec™.



Double Eye Axle Assemblies

Hanger Kits

Part No.	Description	Height	Quantity Per Kit				
			HGR-104-00	HGR-105-00	HGR-248-00	HGR-249-00	HGR-348-00
028-005-00	Hanger	3.25"	2	---	4	2	4
028-006-00	Front Hanger	1.44"	---	2	---	---	---
029-008-00	Front Hanger	2.06"	---	---	---	4	---
029-031-00	Center Hanger	3.62"	---	---	2	---	4
030-020-00	Rear Hanger	.91"	2	2	---	---	---

Attaching Parts Kits

Part No.	Description	A/P-122-00	A/P-233-00	A/P-264-00†	A/P-335-00	A/P-364-00†
006-092-01	Flange Locknut	6	14	14	22	22
007-126-00	Shackle Bolt	2	6	6	10	10
013-104-02	Equalizer	---	2	---	2	---
013-105-02	Equalizer	---	---	---	2	---
013-122-02	Equalizer	---	---	2	---	2
013-126-02	Equalizer	---	---	---	---	2
018-011-00	Shackle Link	---	4	4	6	6
018-012-00	Shackle Link, Long	2	---	---	---	---
018-020-00	Shackle Link Assembly	---	4	4	6	6
018-021-00	Shackle Link Assembly, Long	2	---	---	---	---

† For 35" axle spacing using 26" springs

Slipper Spring Axle Assemblies

Hanger Kits

Part No.	Description	Ht.	HGR-115-00
028-039-00	Front Hanger	3.25"	2
030-037-00	Rear Hanger	1.44"	2

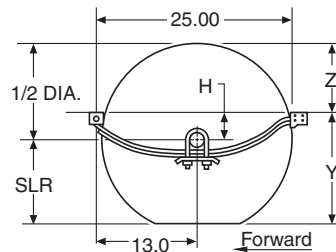
Attaching Parts Kits

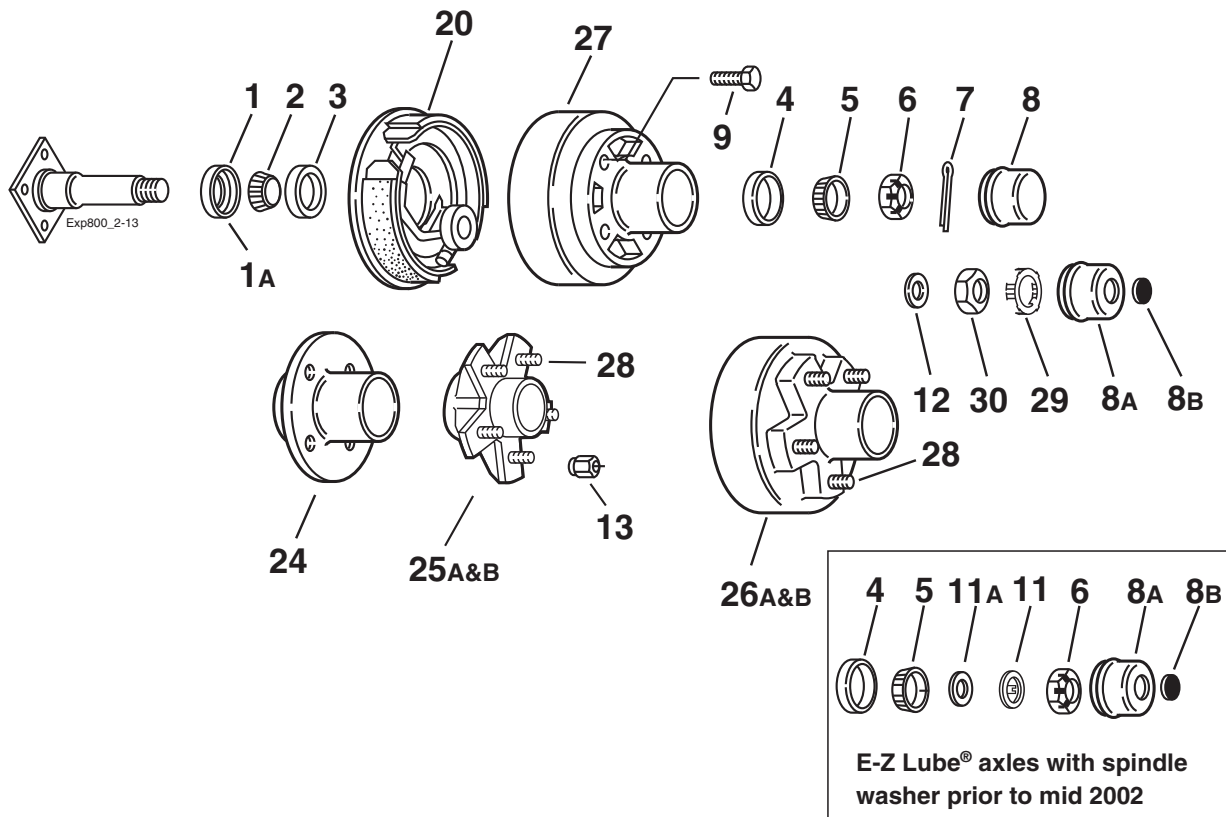
Part No.	Description	A/P-115-00
006-092-01	Locknut	2
007-126-00	Shackle Bolt	2

Note: Common A/P kits are available in marine grade coating.

Some combinations of hangers and spring mountings may result in insufficient bump clearance. Refer to the Miscellaneous section for additional hanger kits, A/P kits, or other tires.

Slipper Springs A/P-115-00





Grease Lube Parts

Item	Part No.	Description
1	010-009-00	Grease Seal
1A	010-060-00	Grease Seal for E-Z Lube®
2	031-031-02	L44649 Inner Bearing Cone
3	031-031-01	L44610 Inner Bearing Cup
4	031-031-01	L44610 Outer Bearing Cup
5	031-031-02	L44649 Outer Bearing Cone
6	006-176-00	Spindle Nut
7	019-002-00	Cotter Pin (not used with E-Z Lube®)
8	021-003-00	Grease Cap
8A	021-041-01	Grease Cap for E-Z Lube®
8B	085-001-00	Rubber Plug for E-Z Lube®
9	007-040-00	Wheel Bolt
11	005-101-00	Tang Washer for E-Z Lube® (before 2002)
11A	005-151-00	Spindle Washer for E-Z Lube® (before 2002)
12	005-023-00	Spindle Washer for E-Z Lube® (after 2002)
29	006-190-00	Spindle Nut Retainer for E-Z Lube® (after 2002)
30	006-191-00	Special Jam Nut for E-Z Lube® (after 2002)

Brakes

Item	Part No.	Description
20	K23-047-00/K23-048-00	LH/RH 7"x1¼" Electric
ns	K23-103-00/K23-104-00	LH/RH 7"x1¼" Electric w/park
ns	K23-398-00/K23-399-00	LH/RH 7"x1¼" Hydraulic Uni-servo

ns - not shown

Note: Spindle is not available for resale.

Hubs

Item	Part No.	Description	Bolt Circle
Hubs and Drums			
ns	008-173-16	½" Studs, elec. brakes ONLY	4 on 4.00
ns	008-276-05	½" Studs, hyd. brakes ONLY	4 on 4.00
26A	008-257-05	½" Studs, elec. brakes ONLY	5 on 4.50
26B	008-271-07	½" Studs, hyd. brakes ONLY	5 on 4.50
27	008-173-15	½" Tapped, elec. brakes ONLY	4 on 4.00
ns	008-257-04	½" Tapped, elec. brakes ONLY	5 on 4.50
ns	008-271-04	½" Tapped, hyd. brakes ONLY	5 on 4.50
Plain Hubs			
ns	008-091-05	½" Studs	4 on 4.00
24	008-091-04	½" Tapped	4 on 4.00
25A	008-259-05	½" Studs, 8"-12" wheels ONLY	5 on 4.50
	008-259-50	½" Studs, 8"-12" wheels ONLY	5 on 4.50
		GAL-DEX® coated	
25B	008-258-05	½" Studs, 13"-15" wheels ONLY	5 on 4.50
	008-258-50	½" Studs, 13"-15" wheels ONLY	5 on 4.50
		GAL-DEX® coated	
ns	008-259-04	½" Tapped, 8"-12" wheels ONLY	5 on 4.50
ns	008-258-04	½" Tapped, 13"-15" wheels ONLY	5 on 4.50

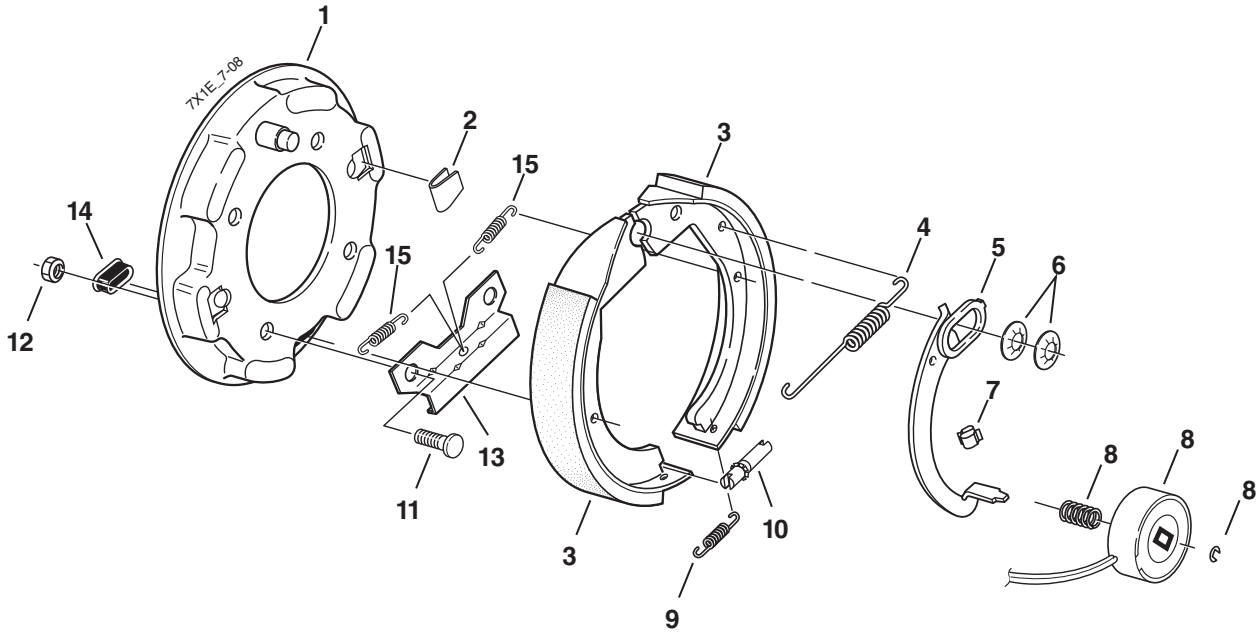
Studs & Wheel Nuts

Item	Part No.	Description
9	007-040-00	½-20 Wheel Bolt
13	006-080-00	½-20 60° Cone Nut
28	007-246-00	½-20 Press-in Stud

7" x 1¼" Electric Brake



CSA approved at 2000#/11.3 SLR; 2200#/10.2 SLR



Electric Brake

Item	Part No.	Qty/Brk	Description
0	K23-047-00	1	LH Complete Brake Assembly (shown)
0	K23-048-00	1	RH Complete Brake Assembly
1	036-036-04	1	Backing Plate Assembly (includes items #11, 13)
2	046-023-00	2	Shoe Hold Down Clip
3	K71-045-00	1	Shoe & Lining Kit Contains: 1 #040-125-00 Primary Shoe & Lining 2 #040-049-00 Secondary Shoe & Lining
4	046-024-00	1	Retractor spring
5	047-114-03	1	LH Actuating Lever Arm
5	047-115-03	1	RH Actuating Lever Arm
6	046-030-00	2	Anchor Post Clip
7	027-005-00	1	Wire Clip
For brakes manufactured after 4/1/90			
8	K71-057-00	1	Magnet Kit Contains: 1 #042-134-00 Magnet 1 #046-121-00 Magnet Clip 1 #046-086-00 Magnet Spring
9	046-022-00	1	Adjusting Screw Spring
10	043-021-00	1	Adjusting Screw
11	007-041-00	4	Brake Mounting Bolt - Press-in
*12	006-017-00	4	Brake Mounting Nut
13	064-001-00	1	Stabilizer Bracket
14	046-007-00	1	Adjuster Slot Plug
For brakes manufactured after 8/1/91			
15	046-114-00	2	Shoe Centering Spring

* Not included with complete brake assembly. Item sold separately.

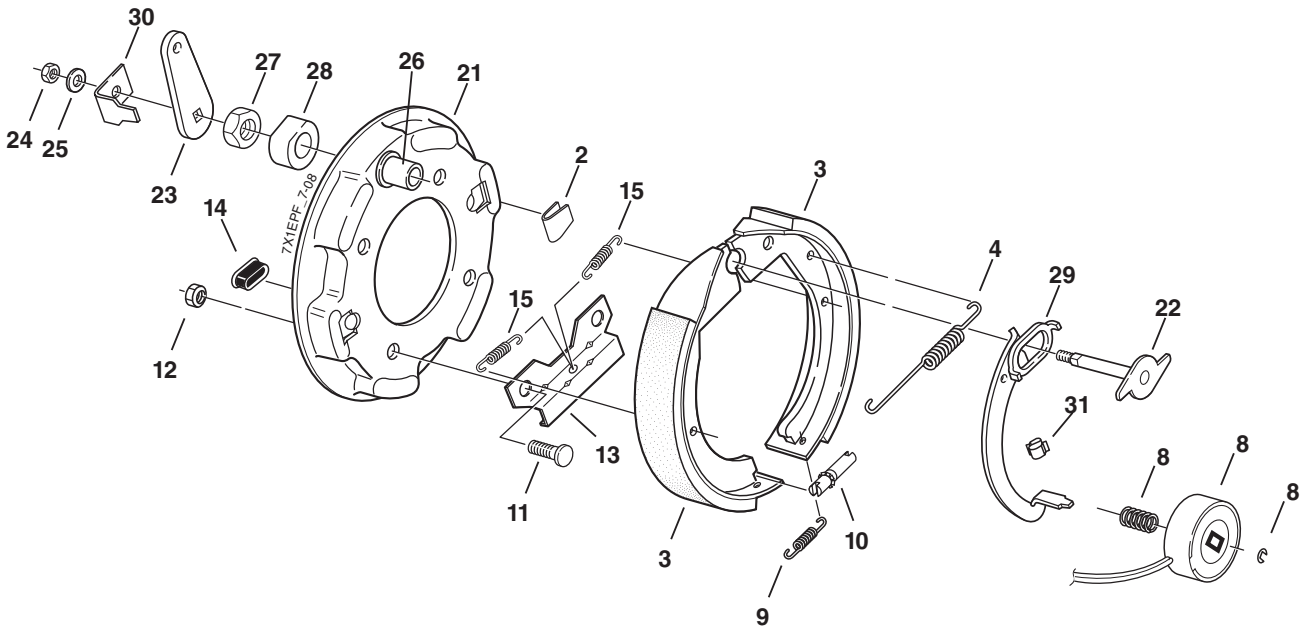
This brake is rated to a maximum capacity of 2200 lbs. / pair

7" x 1¼" Electric Brake With Parking Feature



CSA approved at 2000#/11.3 SLR; 2200#/10.2 SLR

1000 - 2200 LBS. CAPACITY



Electric Parking Brake

Item	Part No.	Qty/Brk	Description
0	K23-103-00	1	LH Complete Brake Assembly (shown)
0	K23-104-00	1	RH Complete Brake Assembly
2	046-023-00	2	Shoe Hold Down Clip
3	K71-045-00	1	Shoe & Lining Kit Contains: 1 #040-125-00 Primary Shoe & Lining 2 #040-049-00 Secondary Shoe & Lining
4	046-024-00	1	Retractor spring
For brakes manufactured after 4/1/90			
8	K71-057-00	1	Magnet Kit Contains: 1 #042-134-00 Magnet 1 #046-121-00 Magnet Clip 1 #046-086-00 Magnet Spring
9	046-022-00	1	Adjusting Screw Spring
10	043-021-00	1	Adjusting Screw
11	007-041-00	4	Brake Mounting Bolt - Press-in
*12	006-017-00	4	Brake Mounting Nut
13	064-001-00	1	Stabilizer Bracket
14	046-007-00	1	Adjuster Slot Plug
For brakes manufactured after 8/1/91			
15	046-114-00	2	Shoe Centering Spring

* Not included with complete brake assembly. Item sold separately.

Electric Parking Brake

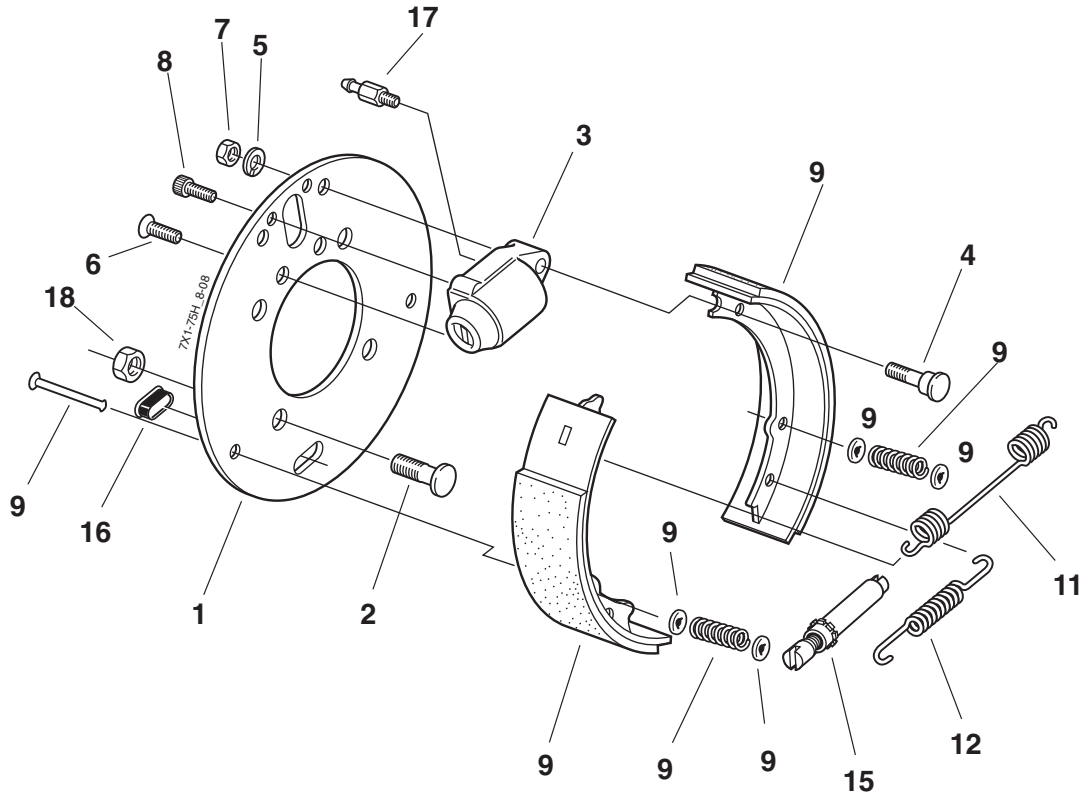
Item	Part No.	Qty/Brk	Description
21	036-036-07	1	LH Backing Plate & Lever Arm (includes items #22-30, 2, 11, 13)
21	036-036-08	1	RH Backing Plate & Lever Arm (includes items #22-30, 2, 11, 13)
22	039-041-00	1	LH Pivot Pin & Cam Sub-Assembly
22	039-042-00	1	RH Pivot Pin & Cam Sub-Assembly
23	047-079-00	1	Lever
24	006-075-00	1	Self Locking Nut
25	005-056-00	1	Washer
26	038-057-00	1	Anchor Pin
27	006-074-00	1	Self Locking Nut
28	071-031-00	1	Spacer
29	047-114-02	1	LH Lever Arm & Cam Assembly
29	047-115-02	1	RH Lever Arm & Cam Assembly
30	071-033-00	1	Lever Stop
31	027-005-00	1	Wire Clip

This brake is rated to a maximum capacity of 2200 lbs. / pair

7" x 1 3/4" Hydraulic Brake



CSA approved at 2500#/11.2 SLR



Hydraulic Brake

Item	Part No.	Qty/Brk	Description
0	K23-398-00	1	LH Complete Brake Assembly (shown)
0	K23-399-00	1	RH Complete Brake Assembly
1	036-038-00	1	Backing Plate
2	007-041-00	4	Brake Mounting Bolt - Press-in
3	054-080-03	1	Wheel Cylinder Assembly - LH (includes item #17)
3	054-080-04	1	Wheel Cylinder Assembly - RH (includes item #17)
4	038-072-00	1	Anchor Post
5	005-004-00	1	Lock Washer
6	007-235-00	1	Counter Sunk Cap Screw
7	006-010-00	1	Hex Nut
8	007-234-00	1	Socket Head Cap Screw
9	K71-466-00	1	Shoe & Lining Kit Contains: 1 #040-327-01 Primary Shoe & Lining 1 #040-328-01 Secondary Shoe & Lining 2 #046-006-00 Shoe Hold Down Spring 4 #035-001-00 Shoe Hold Down Spring Cup 2 #049-014-00 Shoe Hold Down Pin
11	046-126-00	1	Retractor spring
12	046-127-00	1	Adjusting Screw Spring
15	043-004-00	1	Adjuster Screw Assembly
16	046-007-00	1	Adjuster Slot Plug
17	054-084-00	1	Bleeder Screw 6mm Thread (brakes before 1/97)
17	054-088-00	1	Bleeder Screw 7mm Thread (brakes after 1/97)
*18	006-017-00	4	Brake Mounting Nut

* Not included with complete brake assembly. Item sold separately.

This brake is rated to a maximum capacity of 2500 lbs. / pair



Axle Types

2300-4000 Lbs. Capacity

- Complete service manual
- Precision machined steel spindles and integral cast iron hub/drums
- Press-in wheel studs
- 10" x 1½" and 10" x 2¼" CSA approved electric brakes, CSA approved uni-servo and free backing hydraulic brakes
- Electric and hydraulic brakes are available with and without parking feature
- Hydraulic free backing brakes available
- Hydraulic disc brakes available
- Standard grease lubrication; E-Z Lube® option
- Inner wiring system for easier installation and protection of brake wiring
- Optional hot dipped galvanized axle beam
- Optional GAL-DEX® coated cast iron hub



- Totally rubber-cushioned for smooth, quiet, independent ride
- Easy installation with less maintenance
- Less transfer of road shock which insulates cargo from road shocks and vibration
- Rubber cords compounded for maximum dependability and durability
- Load-carrying cross member
- Self-damping action
- Independent wheel suspension system
- 10 year limited warranty on Torflex® suspension system
- Low profile for maximum road clearance
- Various starting angles to control trailer height
- High and low profile brackets with optional mounting brackets available
- Rubber cushioning eliminates metal-to-metal contact
- Shock absorption provided by the natural hysteresis of rubber
- Single or tandem axle assemblies
- Durable, wear-resistant components
- Optional stainless steel wear sleeves for grease seal journal
- Available in drop center V-bend axle beam

D30 & D35 LEAF SPRING



- Straight or Drop spindles (3") D30
- Straight or Drop spindles (4" and 6" drop) D35
- High strength 2¾" diameter tube
- High quality alloy steel springs in a variety of capacities
- Single, tandem, or triple axle assemblies with equalized suspensions
- Slipper spring or double eye leaf spring suspension
- Optional hanger and attaching parts kits available
- Durable, wear-resistant components
- Optional stainless steel wear sleeves for grease seal journal
- Available in drop center V-bend axle beam
- 5 year limited warranty

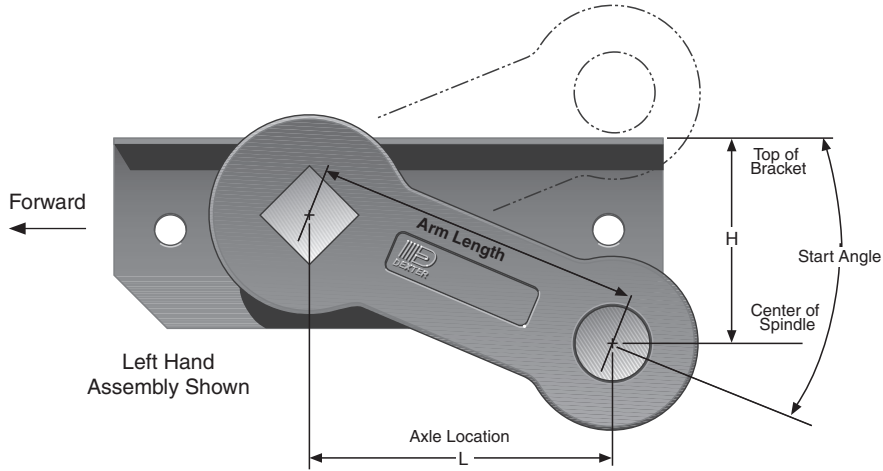


CAUTION: Triple axle assemblies are NOT recommended for #10, #10F and #10L Torflex® axles.



Articulation Dimensions

Dimensions are for top mount only. Side mount is .18" higher. Allow 3" bump clearance from full load.



Start Angle	Bracket Profile	No Load		Full Load		Shock Load	
		H	L	H	L	H	L
45° Down	Low	5.73	4.24	3.79	5.54	2.66	5.88
	High	6.55	4.24	4.61	5.54	3.48	5.88
32° Down	Low	4.67	5.09	2.48	5.92	1.31	6.00
	High	5.49	5.09	3.30	5.92	2.13	6.00
22.5° Down	Low	3.79	5.54	1.49	6.00	0.32	5.88
	High	4.61	5.54	2.31	6.00	1.14	5.88
10° Down	Low	2.53	5.91	0.19	5.86	-0.93	5.49
	High	3.35	5.91	1.01	5.86	-0.11	5.49
0°	Low	1.49	6.00	-0.81	5.54	-1.84	4.99
	High	2.31	6.00	0.01	5.54	-1.02	4.99
10° Up	Low	0.45	5.91	-1.73	5.06	-2.66	4.33
	High	1.27	5.91	-0.91	5.06	-1.84	4.33
22.5° Up	Low	-0.81	5.54	-2.75	4.24	-3.50	3.33
	High	0.01	5.54	-1.93	4.24	-2.68	3.33

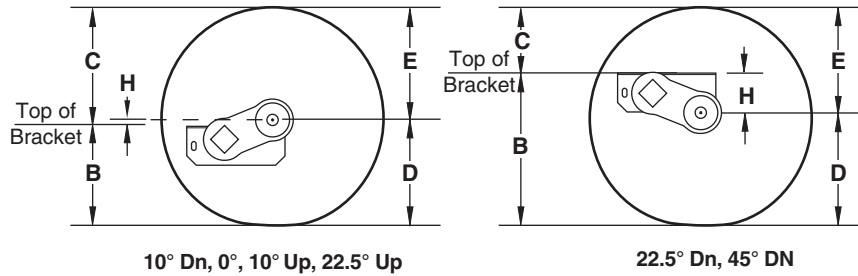
H = Height
L = Length

Note: Positive numbers in the H column indicate the spindle is BELOW the top of the bracket. Conversely, negative numbers are ABOVE the top of the bracket.



Full Load Dimensions

Dimensions are for low profile, top mount only. High profile brackets are .82" higher. Side mount is .18" higher. Allow 3" bump clearance from full load.



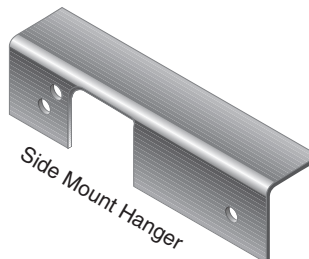
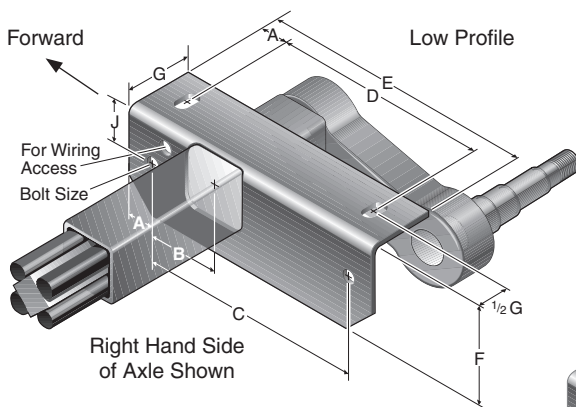
Start Angle

Tire	45° Down					32° Down					22.5° Down		
	D	E	H	B	C	D	E	H	B	C	H	B	C
ST175/80R13	11.2	12.0	3.8	15.0	8.2	11.2	12.0	2.5	13.7	9.5	1.5	12.7	10.5
ST205/75R14	12.1	13.1	3.8	15.9	9.3	12.1	13.1	2.5	14.6	10.6	1.5	13.6	11.6
ST225/75R15	13.0	14.4	3.8	16.8	10.6	13.0	14.4	2.5	15.5	11.9	1.5	14.5	12.9

Columns D and E are dimensional examples only:

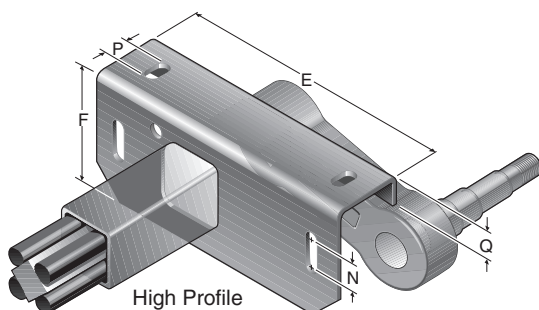
- D – Static Loaded Radius
- E – Inflated Radius

Tire	10° Down			0°			10° Up			22.5° Up		
	H	B	C	H	B	C	H	B	C	H	B	C
ST175/80R13	0.2	11.4	11.8	-0.8	10.4	12.8	-1.7	9.5	13.7	-2.8	8.4	14.8
ST205/75R14	0.2	12.3	12.9	-0.8	11.3	13.9	-1.7	10.4	14.8	-2.8	9.3	15.9
ST225/75R15	0.2	13.2	14.2	-0.8	12.2	15.2	-1.7	11.3	16.1	-2.8	10.2	17.2



#10 Bracket Dimensions

	Low	High
A	1.00	1.00
B	2.50	2.50
C	8.00	8.00
D	8.00	8.00
E	10.00	10.00
F	3.43	4.25
G	2.50	2.50
J	1.62	1.62
N	----	1.03
P	----	1.00
Q	----	1.00
Bolt Size	5/8" bolt	
Tube Size	2.62	2.62



Overhang Per Side

Spindle	Min.	Max.	Max. Capacity
#10 Standard w/Drum	6.30"	11.80"	3500
#10 w/Disc Brake	6.56"	11.80"	3500
#10F w/Drum	6.30"	10.50"	4000
#10L w/Drum	5.88"	13.76"	3000

Leaf Spring Application Information



Double Eye Springs

For Standard 33" Axle Spacing
 Single A/P-122-00
 Tandem A/P-233-00
 Triple A/P-335-00

Spring Length

	21"	24"	26"
A	19.62	23.50	25.75
B	25.00	27.50	29.50
C	28.75	31.00	33.00
D	10.62	12.00	13.00
E	28.75	31.00	33.00

For Optional 35" Axle Spacing
 Tandem A/P-264-00
 Triple A/P-364-00

Spring Length

	21"	24"	26"
B	26.00	28.50	30.50
C	30.80	33.00	35.00
D	10.62	12.00	13.00
E	30.80	33.00	35.00

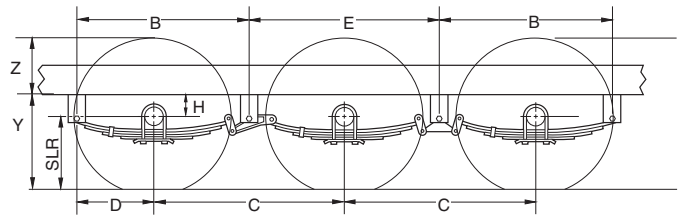
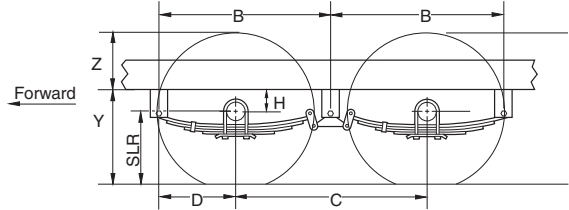
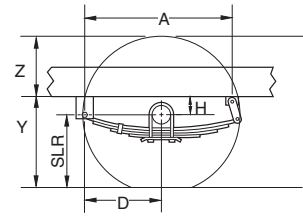
D35 Overhang Per Side

	Min.	Disc*	Max.
Straight	5.62"	7.5"	9.00"
4" Drop	7.00"	7.5"	9.00"
6" Drop	7.87"	7.87"	9.00"
3" Dia. Straight	5.62"	7.5"	11.50"
3" Dia. Drop	7.00"	7.5"	11.50"

* Minimum overhang with disc brakes

D30 Overhang Per Side

	Min.	Max.
Straight	5.63"	9.00"
3" Drop	7.00"	9.00"



Double Eye Axle Assemblies

Hanger Kits

Part No.	Description	Height	Quantity Per Kit				
			HGR-104-00	HGR-105-00	HGR-248-00	HGR-249-00	HGR-348-00
028-005-00	Hanger	3.25"	2	---	4	2	4
028-006-00	Front Hanger	1.44"	---	2	---	---	---
029-008-00	Front Hanger	2.06"	---	---	---	4	---
029-031-00	Center Hanger	3.62"	---	---	2	---	4
030-020-00	Rear Hanger	.91"	2	2	---	---	---

Attaching Parts Kits

Part No.	Description	A/P-122-00	A/P-233-00	A/P-264-00†	A/P-335-00	A/P-364-00†
006-092-01	Flange Locknut	6	14	14	22	22
007-126-00	Shackle Bolt	2	6	6	10	10
013-104-02	Equalizer	---	2	---	2	---
013-105-02	Equalizer	---	---	---	2	---
013-122-02	Equalizer	---	---	2	---	2
013-126-02	Equalizer	---	---	---	---	2
018-011-00	Shackle Link	---	4	4	6	6
018-012-00	Shackle Link, Long	2	---	---	---	---
018-020-00	Shackle Link Assembly	---	4	4	6	6
018-021-00	Shackle Link Assembly, Long	2	---	---	---	---

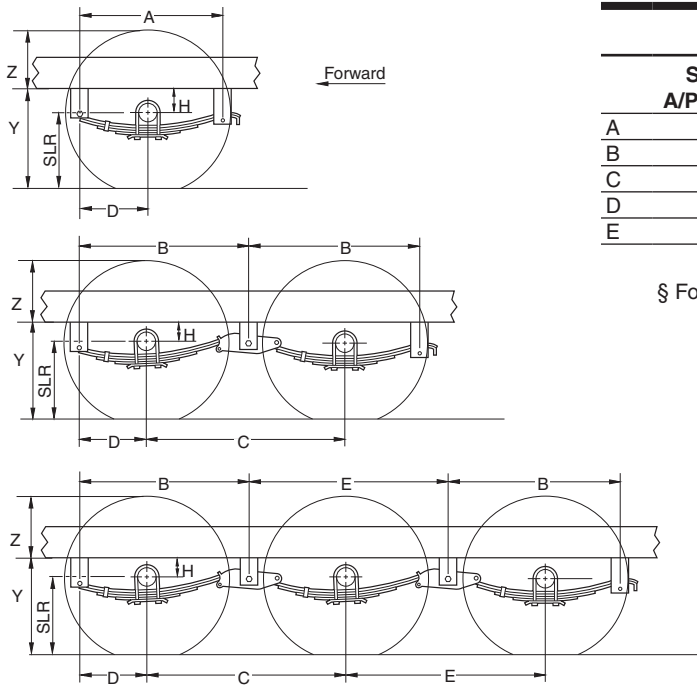
† For 35" axle spacing using 26" springs

Note: Common A/P kits are available in marine grade coating.

Leaf Spring Application Information



2300 - 4000 LBS. CAPACITY



Slipper Springs

	Single	Tandem		Triple	
	A/P-103-00	A/P-202-00 [§]	A/P-216-00 [‡]	A/P-302-00 [§]	A/P-316-00 [‡]
A	24.0	----	----	----	----
B	----	28.8	30.4	28.8	30.4
C	----	33.5	36.0	33.5	36.0
D	11.5	11.5	11.5	11.5	11.5
E	----	----	----	33.0	35.0

Note: All 2" wide slipper springs
[§] For 33.5" axle spacing [‡] For 36" axle spacing

A, B, E – Hanger Spacing
 C – Axle Spacing
 D – Axle Location
 H – Center of Spindle
 Y – Frame Height
 Z – Top of Tire to Bottom of Frame
 SLR – Static Load Radius

To determine these values, contact your local sales engineer or distributor to run ProSpec™.

Slipper Spring Axle Assemblies

Hanger Kits			Quantity Per Kit		
Part No.	Description	Height	HGR-110-00	HGR-202-00	HGR-302-00
028-001-00	Front Hanger	4.25"	2	2	2
029-001-00	Center Hanger	3.50"	----	2	4
030-028-00	Rear Hanger	4.00"	2	2	2

Attaching Parts Kits		A/P-103-00	A/P-202-00 [§]	A/P-216-00 [‡]	A/P-302-00 [§]	A/P-316-00 [‡]
006-007-01	1/16-18 Locknut	2	4	4	6	6
006-011-00	Keeper Nut	2	4	4	6	6
006-111-00	Equalizer Nut	----	2	2	4	4
007-001-01	Equalizer Bolt	----	2	2	4	4
007-007-00	Keeper Bolt	2	4	4	6	6
007-017-00	Spring Eye Bolt	2	4	4	6	6
013-004-00	Equalizer	----	2	----	4	----
013-044-01	Equalizer	----	----	2	----	4

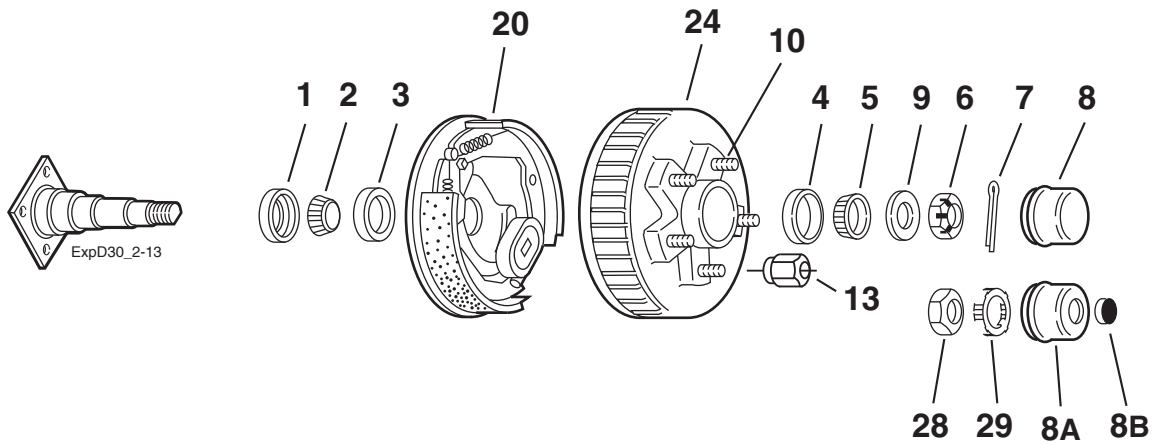
[§] For 33.5" axle spacing

[‡] For 36" axle spacing

Note: Common A/P kits are available in marine grade coating.

Some combinations of hangers and spring mountings may result in insufficient bump clearance. Refer to the Miscellaneous section for additional hanger kits, A/P kits, or other tires.

D30, #10L 545 Hub Group



Grease Lube Parts

Item	Part No.	Description
1	010-019-00	Grease Seal for E-Z Lube®
2	031-032-02	LM67048 Inner Bearing Cone
3	031-032-01	LM67010 Inner Bearing Cup
4	031-031-01	L44610 Outer Bearing Cup
5	031-031-02	L44649 Outer Bearing Cone
6	006-176-00	Spindle Nut
7	019-002-00	Cotter Pin
8	021-003-00	Grease Cap
8A	021-041-01	Grease Cap for E-Z Lube®
8B	085-001-00	Rubber Plug for E-Z Lube®
9	005-023-00	Spindle Washer
28	006-191-00	Special Jam Nut for E-Z Lube® (after 2002)
29	006-190-00	Spindle Nut Retainer for E-Z Lube® (after 2002)

10" x 1½" Brakes

Item	Part No.	Description
20	K23-472-00/K23-473-00	LH/RH Electric
20	K23-476-00/K23-477-00	LH/RH Nev-R-Adjust®

Note: Spindle is not available for resale.

Hubs

Item	Part No.	Description	Bolt Circle
Hubs and Drums			
24	008-418-02	½" Stud	5 on 4.50

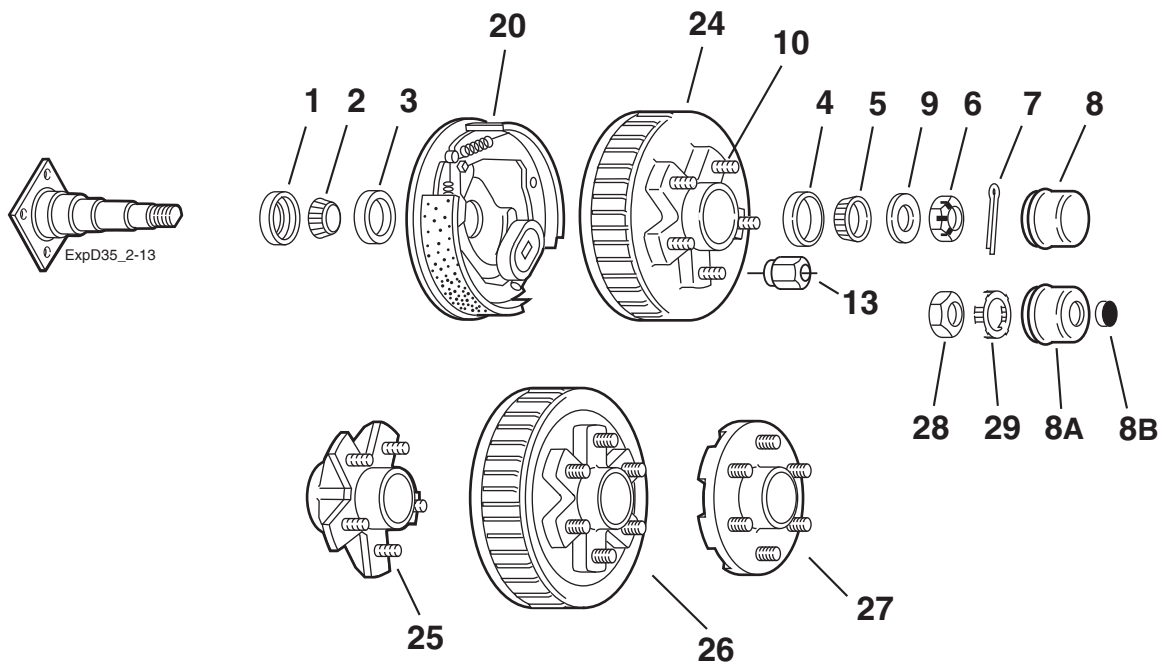
Studs & Wheel Nuts

Item	Part No.	Description
10	007-185-00	½-20 Pressed Wheel Stud
13	006-080-00	½-20 60° Cone Nut

D35, #10 545 and Other Hub Group



2300 - 4000 LBS. CAPACITY



Grease Lube Parts

Item	Part No.	Description
1	010-019-00	Grease Seal for E-Z Lube®
2	031-033-02	L68149 Inner Bearing Cone
3	031-033-01	L68111 Inner Bearing Cup
4	031-031-01	L44610 Outer Bearing Cup
5	031-031-02	L44649 Outer Bearing Cone
6	006-176-00	Spindle Nut
7	019-002-00	Cotter Pin
8	021-003-00	Grease Cap
8A	021-041-01	Grease Cap for E-Z Lube®
8B	085-001-00	Rubber Plug for E-Z Lube®
9	005-023-00	Spindle Washer
28	006-191-00	Special Jam Nut for E-Z Lube® (after 2002)
29	006-190-00	Spindle Nut Retainer for E-Z Lube® (after 2002)

10" x 2¼" Brakes

Item	Part No.	Description
ns	K23-468-00/K23-469-00	LH/RH Electric Nev-R-Adjust®
20	K23-026-00/K23-027-00	LH/RH Electric
ns	K23-086-00/K23-087-00	LH/RH Electric w/park
ns	K23-312-00/K23-313-00	LH/RH Hydraulic Uni-servo
ns	K23-330-00/K23-331-00	LH/RH Hydraulic Uni-servo w/park
ns	K23-310-00/K23-311-00	LH/RH Hydraulic Duo-servo
ns	K23-400-00/K23-401-00	LH/RH Hydraulic Duo-servo w/park
ns	K23-344-00/K23-345-00	LH/RH Hydraulic Free Backing
ns	K23-344-01/K23-345-01	LH/RH Hydraulic FB Corrosion Resistant

ns - not shown

Note: Spindle is not available for resale.

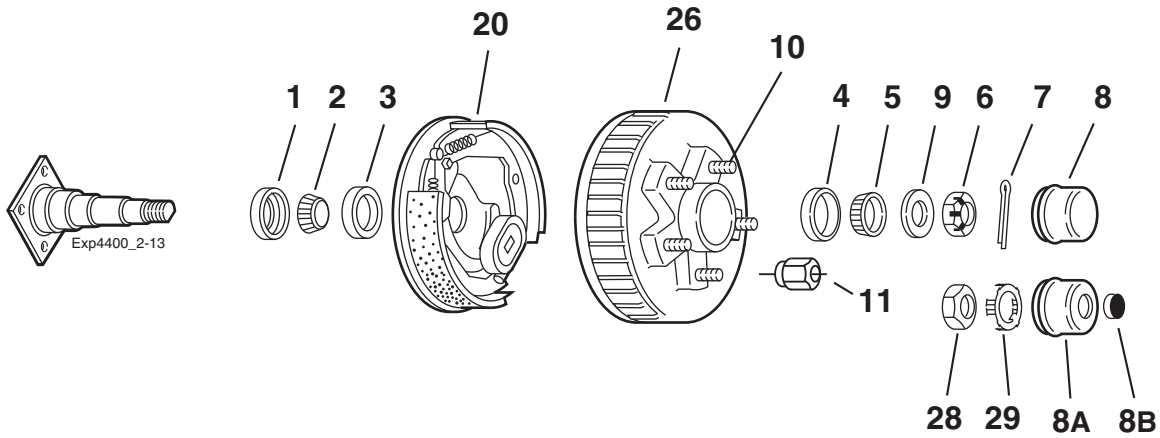
Hubs

Item	Part No.	Description	Bolt Circle
Hubs and Drums			
24	008-247-05	½" Stud	5 on 4.50
24	008-247-50	½" Stud GAL-DEX® coated	5 on 4.50
24	008-249-07	½" Stud	5 on 5.00
24	008-249-05	½" Stud	5 on 5.50
24	008-247-12	½" Stud	5 on 4.75
26	008-250-05	½" Stud	6 on 5.50
Plain Hubs			
25	008-248-05	½" Stud	5 on 4.50
25	008-248-50	½" Stud GAL-DEX® coated	5 on 4.50
25	008-248-10	½" Stud	5 on 4.75
25	008-256-07	½" Stud	5 on 5.00
25	008-256-05	½" Stud	5 on 5.50
27	008-251-05	½" Stud	6 on 5.50

Studs & Wheel Nuts

Item	Part No.	Description
10	007-122-00	½-20 Pressed Wheel Stud
13	006-080-00	½-20 60° Cone Nut

D40, #10F 545 Hub Group



Grease Lube Parts

Item	Part No.	Description
1	010-019-00	Grease Seal for E-Z Lube®
2	031-033-02	L68149 Inner Bearing Cone
3	031-033-01	L68111 Inner Bearing Cup
4	031-031-01	L44610 Outer Bearing Cup
5	031-031-02	L44649 Outer Bearing Cone
6	006-176-00	Spindle Nut
7	019-002-00	Cotter Pin (not used with E-Z Lube®)
8	021-003-00	Grease Cap
8A	021-041-01	Grease Cap for E-Z Lube®
8B	085-001-00	Rubber Plug for E-Z Lube®
9	005-023-00	Spindle Washer
28	006-191-00	Special Jam Nut for E-Z Lube® (after 2002)
29	006-190-00	Spindle Nut Retainer for E-Z Lube® (after 2002)

10" x 2 1/4" Brakes

Item	Part No.	Description
20	K23-462-00	LH Electric
20	K23-463-00	RH Electric
ns	K23-478-00	LH Electric Nev-R-Adjust®
ns	K23-479-00	RH Electric Nev-R-Adjust®

ns - not shown

Note: Spindle is not available for resale.

Hubs

Item	Part No.	Description	Bolt Circle
Hubs and Drums			
26	008-426-05	1/2" Stud	5 on 4.50

Studs & Wheel Nuts

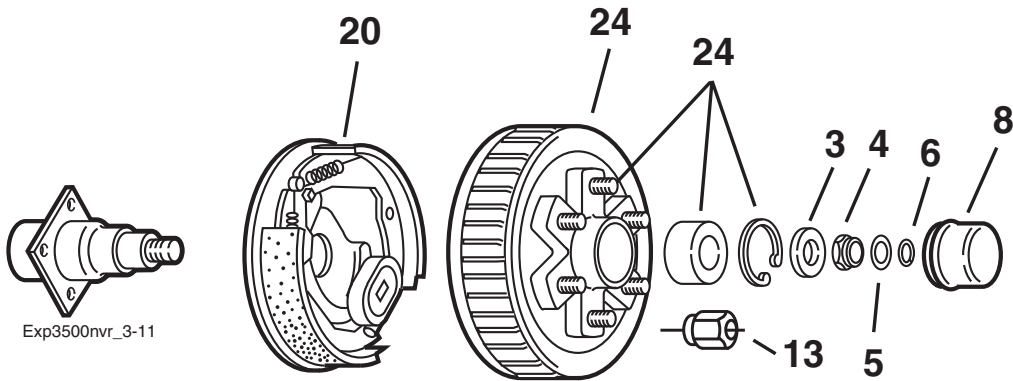
Item	Part No.	Description
10	007-122-00	1/2-20 Pressed Wheel Stud
11	006-080-00	1/2-20 60° Cone Nut

655 Nev-R-Lube® Hub Group



Service Parts Only

2300 - 4000 LBS. CAPACITY



Exp3500nvr_3-11

Nev-R-Lube® Parts 35MM

Item	Part No.	Description
3	005-150-00	Spindle Washer
4	006-183-00	Spindle Nut
5	092-002-00	Washer, Torque Label
6	069-096-00	Snap Ring
8	021-084-00*	Grease Cap

10" x 2¼" Brakes

Item	Part No.	Description
ns	K23-468-00/K23-469-00	LH/RH Electric Nev-R-Adjust®
20	K23-026-00/K23-027-00	LH/RH Electric
ns	K23-086-00/K23-087-00	LH/RH Electric w/park
ns	K23-312-00/K23-313-00	LH/RH Hydraulic Uni-servo
ns	K23-330-00/K23-331-00	LH/RH Hydraulic Uni-servo w/park
ns	K23-310-00/K23-311-00	LH/RH Hydraulic Duo-servo
ns	K23-400-00/K23-401-00	LH/RH Hydraulic Duo-servo w/park
ns	K23-344-00/K23-345-00	LH/RH Hydraulic Free Backing
ns	K23-344-01/K23-345-01	LH/RH Hydraulic FB Corrosion Resistant

ns - not shown

Note: Spindle is not available for resale.

Hubs With Bearing & Wheel Studs

Item	Part No.	Description	Bolt Circle
24	008-386-80*	Hub and Drum includes: 007-185-00 ½-20 Press-in Stud 031-072-03* 35mm Cartridge Bearing 069-094-00* Bearing Retainer	6 on 5.50

Wheel Nuts

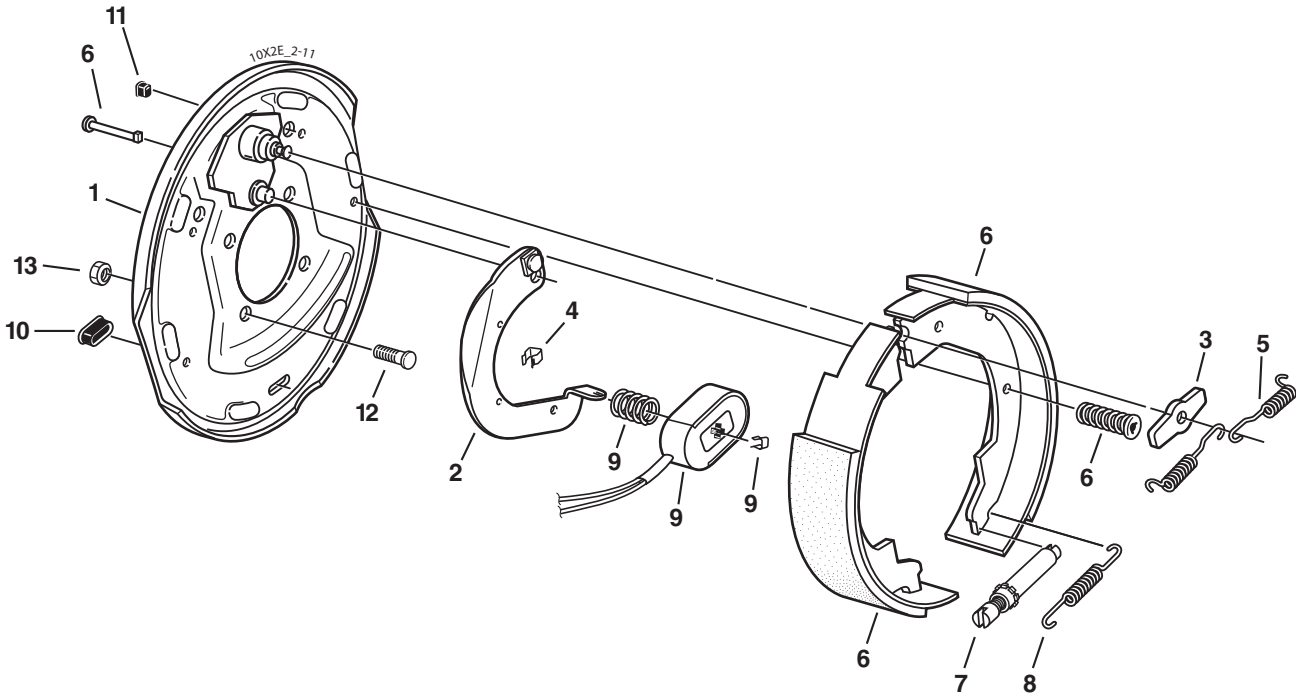
Item	Part No.	Description
13	006-080-00	½-20 60° Cone Nut

* Available for service parts only.

D30, #10L 10" x 1½" Electric Brake



CSA approved at 3000#/13.1 SLR



Electric Brake

Item	Part No.	Qty/Brk	Description
0	K23-472-00	1	LH Complete Brake Assembly (shown)
0	K23-473-00	1	RH Complete Brake Assembly
1	036-134-03	1	Backing Plate Assembly
2	047-019-05	1	LH Actuating Lever Arm
2	047-020-05	1	RH Actuating Lever Arm
3	005-067-00	1	Washer
4	027-005-00	2	Wire Clip
5	046-009-00	2	Retractor Spring
6	K71-046-00	1	Shoe & Lining Kit Contains:
		2	#035-001-00 Shoe Hold Down Cup
		1	#040-129-00 Primary Shoe & Lining
		1	#040-130-00 Secondary Shoe & Lining
		2	#046-006-00 Shoe Hold Down Spring
		2	#049-009-00 Shoe Hold Down Pin *T*
7	043-004-00	1	Adjuster Assembly
8	046-018-00	1	Adjusting Screw Spring
9	K71-104-00	1	Magnet Kit Contains:
		1	#042-140-00 Magnet (green wire)
		1	#027-009-00 Magnet Clip
		1	#046-080-00 Magnet Spring (before 7/16)
		1	#046-175-00 Magnet Spring (after 7/16)
10	046-007-00	2	Adjuster Slot Plug
11	046-016-00	1	Wire Grommet
12	007-041-00	4	Brake Mounting Bolt - Press-in
*13	006-017-00	4	Brake Mounting Nut

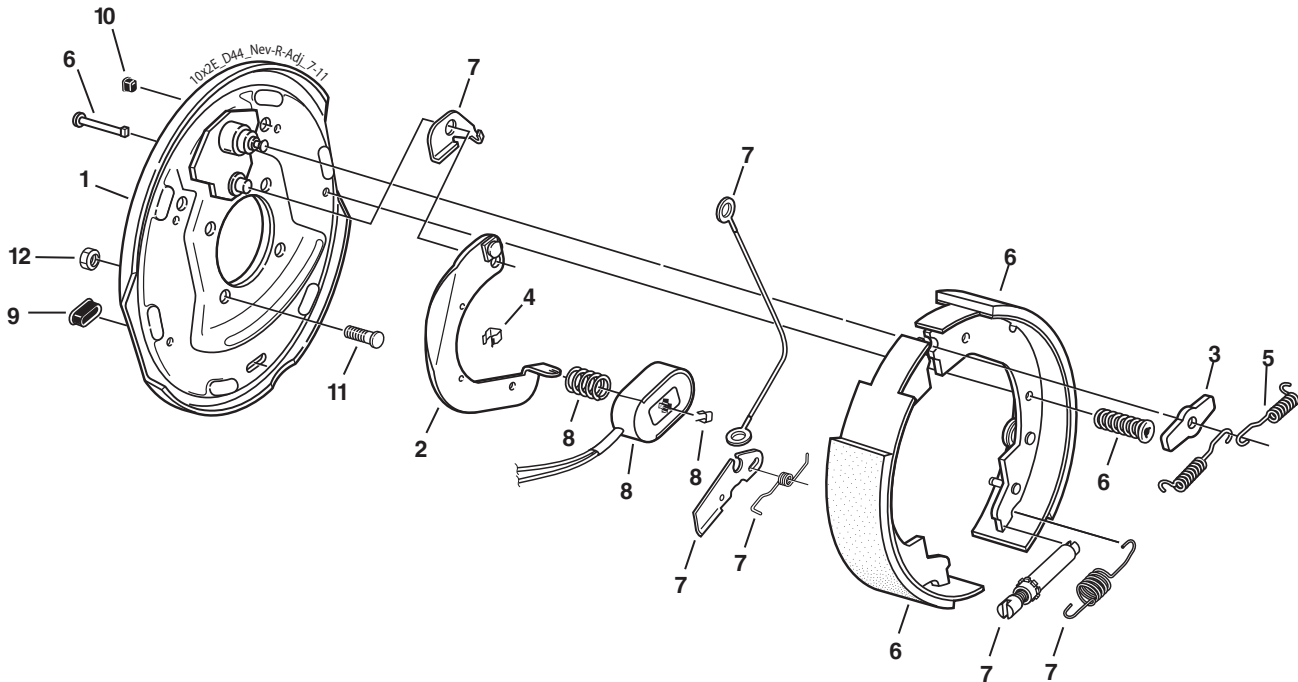
* Not included with complete brake assembly. Item sold separately.

D30, #10L 10" x 1½" Nev-R-Adjust® Electric Brake



CSA approved at 3000#/13.1 SLR

2300 - 4000 LBS. CAPACITY



Electric Brake

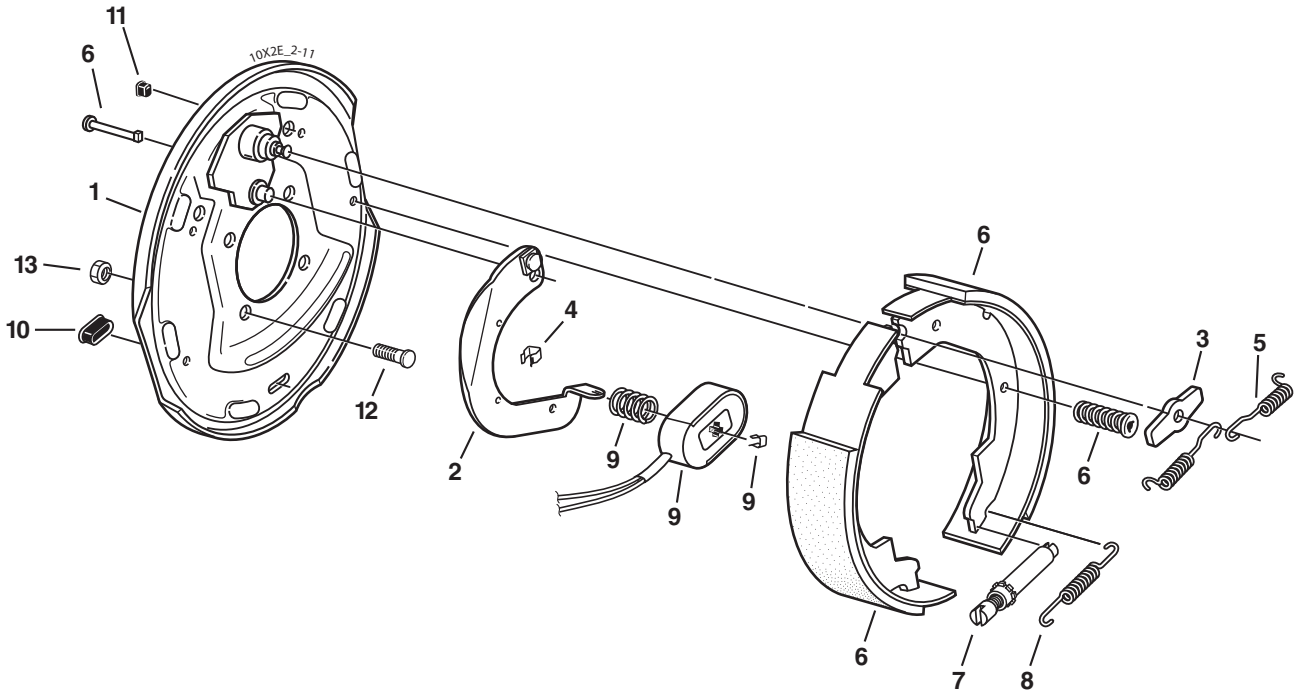
Item	Part No.	Qty/Brk	Description
0	K23-476-00	1	LH Complete Brake Assembly (shown)
0	K23-477-00	1	RH Complete Brake Assembly
1	036-019-19	1	Backing Plate Assembly
2	047-019-10	1	LH Actuating Lever Arm
2	047-020-10	1	RH Actuating Lever Arm
3	005-067-00	1	Washer
4	027-005-00	2	Wire Clip
5	046-009-00	2	Retractor Spring
6	K71-701-00	1	LH Shoe & Lining Kit Contains: 1 #040-129-00 Primary Shoe & Lining 1 #040-375-00 Secondary Shoe & Lining 2 #049-009-00 Shoe Hold Down Pin T 2 #046-006-00 Shoe Hold Down Spring
6	K71-702-00	1	RH Shoe & Lining Kit Contains: 1 #040-129-00 Primary Shoe & Lining 1 #040-376-00 Secondary Shoe & Lining 2 #049-009-00 Shoe Hold Down Pin T 2 #035-001-00 Shoe Hold Down Spring & Cup
7	K71-703-00	1	LH & RH Brake Adjuster Kit Contains: 2 #046-139-00 Adjusting Screw Spring 1 #046-140-00 LH Lever Spring 1 #046-141-00 RH Lever Spring 1 #048-022-00 LH Adjuster Assembly 1 #048-023-00 RH Adjuster Assembly 2 #071-529-00 Hook for Cable 1 #071-532-01 LH Adjusting Lever 1 #071-532-02 RH Adjusting Lever 2 #071-533-00 Adjuster Cable 1 #071-655-01 LH Cable Lever 1 #071-655-02 RH Cable Lever 2 #071-656-00 Adjuster Cable
8	K71-104-00	1	Magnet Kit Contains: 1 #042-140-00 Magnet (green wire) 1 #027-009-00 Magnet Clip 1 #046-080-00 Magnet Spring (before 7/16) 1 #046-175-00 Magnet Spring (after 7/16)
9	046-007-00	2	Adjuster Slot Plug
10	046-016-00	1	Wire Grommet
11	007-041-00	4	Brake Mounting Bolt - Press-in
*12	006-017-00	4	Brake Mounting Nut

* Not included with complete brake assembly. Item sold separately.

D35, #10 10" x 2¼" Electric Brake



CSA approved at 3500#/13.3 SLR



Electric Brake

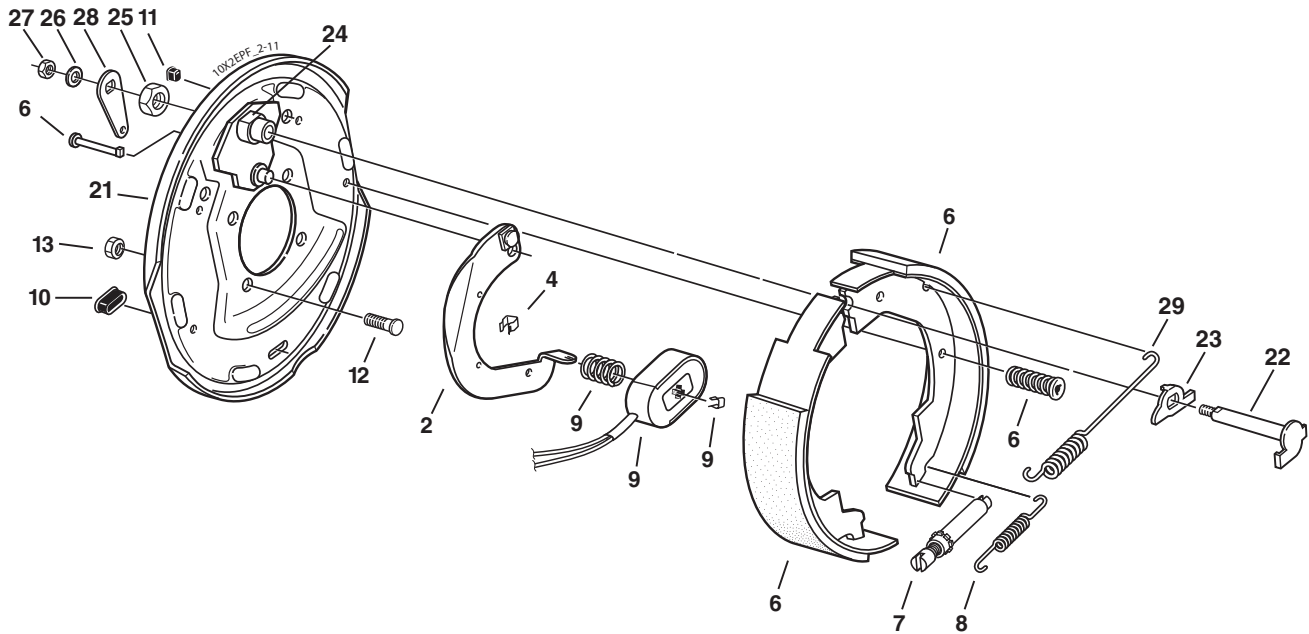
Item	Part No.	Qty/Brk	Description
0	K23-026-00	1	LH Complete Brake Assembly (shown)
0	K23-027-00	1	RH Complete Brake Assembly
1	036-019-10	1	Backing Plate Assembly
2	047-019-05	1	LH Actuating Lever Arm
2	047-020-05	1	RH Actuating Lever Arm
3	005-067-00	1	Washer
4	027-005-00	2	Wire Clip
5	046-009-00	2	Retractor Spring
6	K71-047-00	1	Shoe & Lining Kit Contains: 1 #040-017-00 Primary Shoe & Lining 1 #040-021-00 Secondary Shoe & Lining 2 #049-002-00 Shoe Hold Down Pin #8 2 #046-077-00 Shoe Hold Down Spring & Cup
7	043-004-00	1	Adjuster Assembly
8	046-018-00	1	Adjusting Screw Spring
9	K71-104-00	1	Magnet Kit Contains: 1 #042-140-00 Magnet (green wire) 1 #027-009-00 Magnet Clip 1 #046-080-00 Magnet Spring (before 7/16) 1 #046-175-00 Magnet Spring (after 7/16)
10	046-007-00	2	Adjuster Slot Plug
11	046-016-00	1	Wire Grommet
12	007-041-00	4	Brake Mounting Bolt - Press-in
*13	006-017-00	4	Brake Mounting Nut

* Not included with complete brake assembly. Item sold separately.

D35, #10 10" x 2¼" Electric Brake With Parking Feature

CSA approved at 3500#/13.3 SLR

2300 - 4000 LBS. CAPACITY



Electric Parking Brake

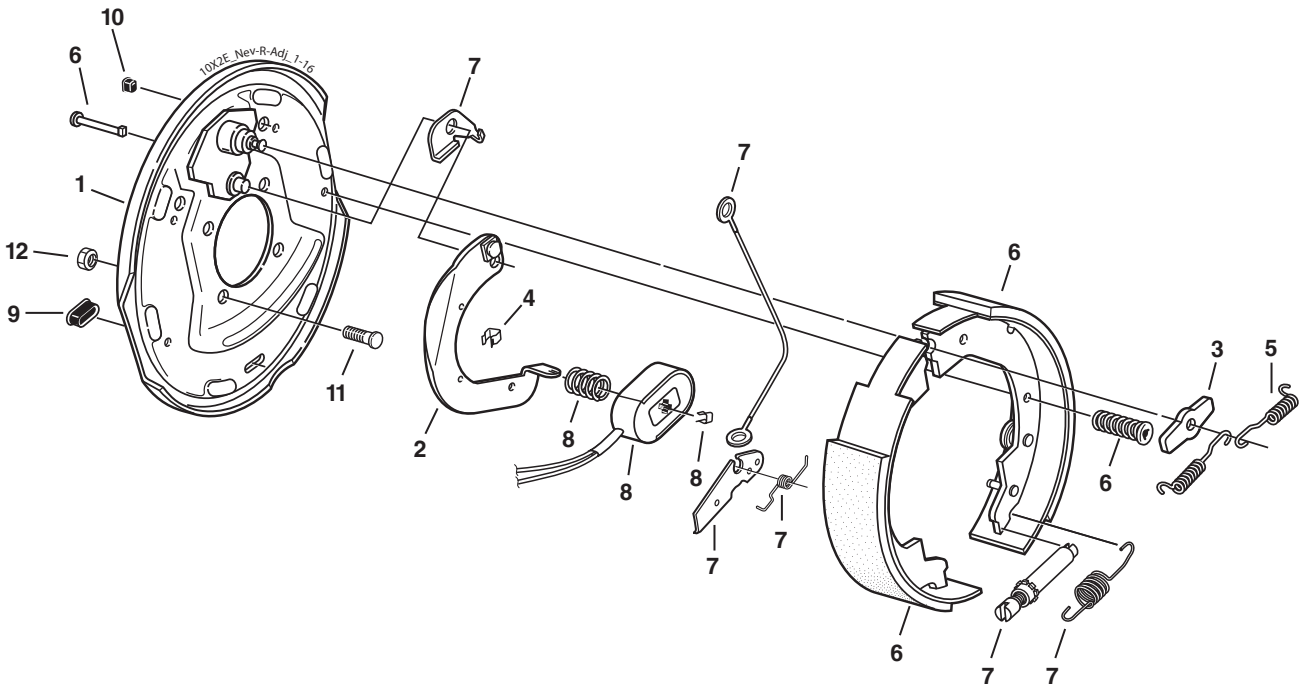
Item	Part No.	Qty/Brk	Description
0	K23-086-00	1	LH Complete Brake Assembly (shown)
0	K23-087-00	1	RH Complete Brake Assembly
2	047-019-05	1	LH Actuating Lever Arm
2	047-020-05	1	RH Actuating Lever Arm
4	027-005-00	3	Wire Clip
6	K71-047-00	1	Shoe & Lining Kit Contains: 1 #040-017-00 Primary Shoe & Lining 1 #040-021-00 Secondary Shoe & Lining 2 #049-002-00 Shoe Hold Down Pin #8 2 #046-077-00 Shoe Hold Down Spring & Cup
7	043-004-00	1	Adjuster Assembly
8	046-018-00	1	Adjusting Screw Spring
9	K71-104-00	1	Magnet Kit Contains: 1 #042-140-00 Magnet (green wire) 1 #027-009-00 Magnet Clip 1 #046-080-00 Magnet Spring (before 7/16) 1 #046-175-00 Magnet Spring (after 7/16)
10	046-007-00	2	Adjuster Slot Plug
11	046-016-00	1	Wire Grommet
12	007-041-00	4	Brake Mounting Bolt - Press-in
*13	006-017-00	4	Brake Mounting Nut
21	036-019-07	1	LH Backing Plate Assembly (includes items #12, 22-28)
21	036-019-08	1	RH Backing Plate Assembly (includes items #12, 22-28)
22	039-025-00	1	LH Pivot Pin & Cam Sub-Assembly
22	039-026-00	1	LH Pivot Pin & Cam Sub-Assembly
23	039-048-00	1	LH Actuating Cam
23	039-049-00	1	RH Actuating Cam
24	038-047-00	1	Anchor Post & Bushing Assembly
25	006-047-00	1	Anchor Post Locknut
26	005-041-00	1	Washer
27	006-011-00	1	Pivot Pin Locknut
28	047-070-00	1	Actuating Lever
29	046-056-00	1	Retractor Spring

* Not included with complete brake assembly. Item sold separately.

D35, #10 10" x 2¼" Nev-R-Adjust® Electric Brake



CSA approved at 3500#/13.3 SLR



Electric Brake

Item	Part No.	Qty/Brk	Description
0	K23-468-00	1	LH Complete Brake Assembly (shown)
0	K23-469-00	1	RH Complete Brake Assembly
1	036-019-10	1	Backing Plate Assembly
2	047-019-10	1	LH Actuating Lever Arm
2	047-020-10	1	RH Actuating Lever Arm
3	005-067-00	1	Washer
4	027-005-00	2	Wire Clip
5	046-009-00	2	Retractor Spring
6	K71-681-00	1	LH Shoe & Lining Kit Contains: 1 #040-367-00 Primary Shoe & Lining 1 #040-368-01 Secondary Shoe & Lining 2 #049-002-00 Shoe Hold Down Pin #8 2 #046-077-00 Shoe Hold Down Spring & Cup
6	K71-682-00	1	RH Shoe & Lining Kit Contains: 1 #040-367-00 Primary Shoe & Lining 1 #040-368-02 Secondary Shoe & Lining 2 #049-002-00 Shoe Hold Down Pin #8 2 #046-077-00 Shoe Hold Down Spring & Cup
7	K71-703-00	1	LH & RH Brake Adjuster Kit Contains: 2 #046-139-00 Adjusting Screw Spring 1 #046-140-00 LH Lever Spring 1 #046-141-00 RH Lever Spring 1 #048-022-00 LH Adjuster Assembly 1 #048-023-00 RH Adjuster Assembly 2 #071-529-00 Hook for Cable 1 #071-532-01 LH Adjusting Lever 1 #071-532-02 RH Adjusting Lever 2 #071-533-00 Adjuster Cable 1 #071-655-01 LH Cable Lever 1 #071-655-02 RH Cable Lever 2 #071-656-00 Adjuster Cable
8	K71-104-00	1	Magnet Kit Contains: 1 #042-140-00 Magnet (green wire) 1 #027-009-00 Magnet Clip 1 #046-080-00 Magnet Spring (before 7/16) 1 #046-175-00 Magnet Spring (after 7/16)
9	046-007-00	2	Adjuster Slot Plug
10	046-016-00	1	Wire Grommet
11	007-041-00	4	Brake Mounting Bolt - Press-in
*12	006-017-00	4	Brake Mounting Nut

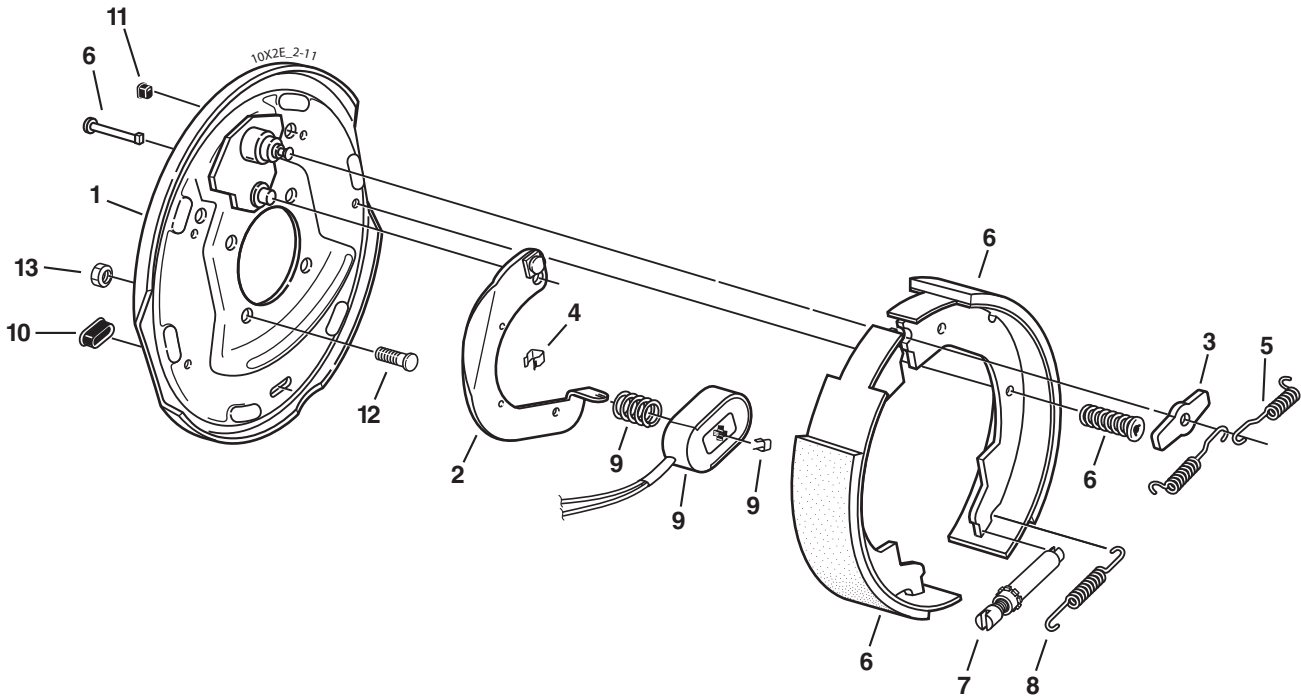
* Not included with complete brake assembly. Item sold separately.

D40, #10F 10" x 2¼" Electric Brake Manual Adjust



CSA approved at 4400#/13.0 SLR

2300 - 4000 LBS. CAPACITY



Note: Brake mounting is not the same as a standard #10. It will not fit on a #10.

Electric Brake

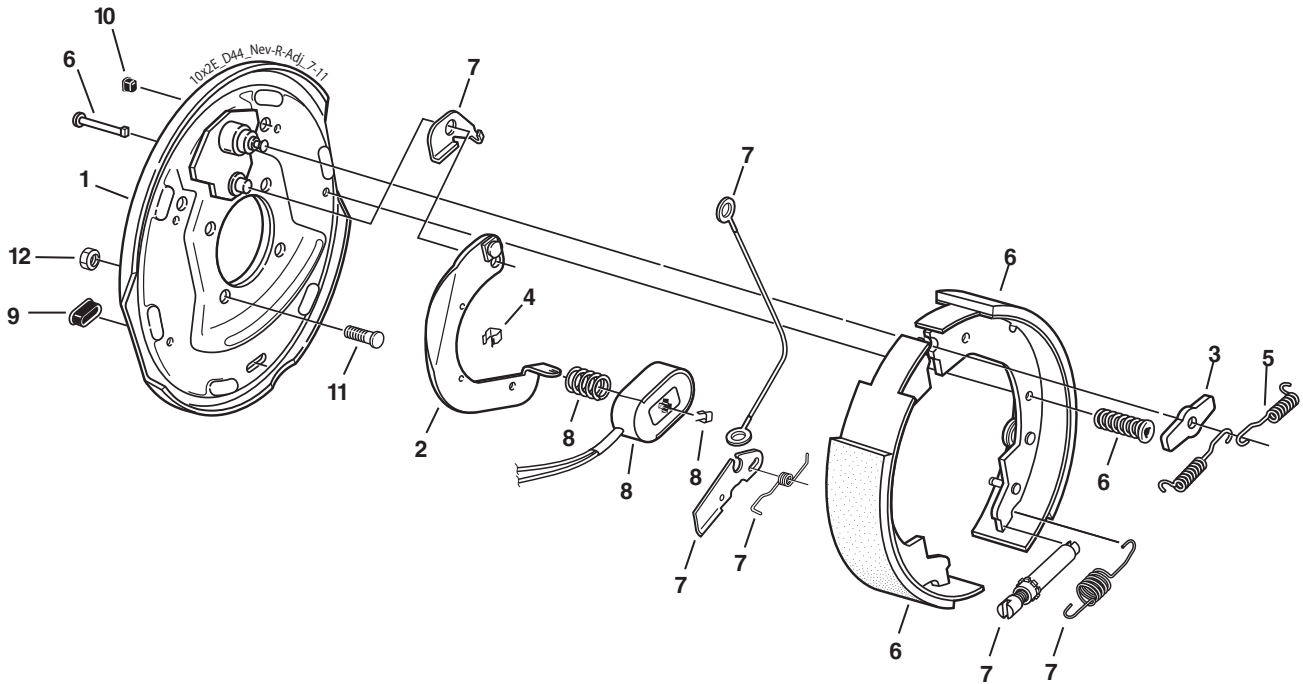
Item	Part No.	Qty/Brk	Description
0	K23-462-00	1	LH Complete Brake Assembly (shown)
0	K23-463-00	1	RH Complete Brake Assembly
1	036-019-19	1	Backing Plate Assembly
2	047-019-05	1	LH Actuating Lever Arm
2	047-020-05	1	RH Actuating Lever Arm
3	005-067-00	1	Washer
4	027-005-00	2	Wire Clip
5	046-009-00	2	Retractor Spring
6	K71-672-00	1	Shoe & Lining Kit Contains: 1 #040-361-00 Primary Shoe & Lining 1 #040-362-00 Secondary Shoe & Lining 2 #049-002-00 Shoe Hold Down Pin #8 2 #046-077-00 Shoe Hold Down Spring & Cup
7	043-004-00	1	Adjuster Assembly
8	046-018-00	1	Adjusting Screw Spring
9	K71-125-00	1	Magnet Kit Contains: 1 #042-143-00 Magnet (black wire) 1 #027-009-00 Magnet Clip 1 #046-080-00 Magnet Spring (before 7/16) 1 #046-175-00 Magnet Spring (after 7/16)
10	046-007-00	2	Adjuster Slot Plug
11	046-016-00	1	Wire Grommet
12	007-271-00	4	Brake Mounting Bolt - Press-in
*13	006-017-00	4	Brake Mounting Nut

* Not included with complete brake assembly. Item sold separately.

D40, #10F 10" x 2¼" Nev-R-Adjust® Electric Brake



CSA approved at 4000#/13.0 SLR



Electric Brake

Item	Part No.	Qty/Brk	Description
0	K23-478-00	1	LH Complete Brake Assembly (shown)
0	K23-479-00	1	RH Complete Brake Assembly
1	036-019-19	1	Backing Plate Assembly
2	047-019-10	1	LH Actuating Lever Arm
2	047-020-10	1	RH Actuating Lever Arm
3	005-067-00	1	Washer
4	027-011-00	2	Wire Clip
5	046-009-00	2	Retractor Spring
6	K71-698-00	1	LH Shoe & Lining Kit Contains: 1 #040-379-00 Primary Shoe & Lining 1 #040-380-01 Secondary Shoe & Lining 2 #049-002-00 Shoe Hold Down Pin #8 2 #046-077-00 Shoe Hold Down Spring & Cup
6	K71-699-00	1	RH Shoe & Lining Kit Contains: 1 #040-379-00 Primary Shoe & Lining 1 #040-380-02 Secondary Shoe & Lining 2 #049-002-00 Shoe Hold Down Pin #8 2 #046-077-00 Shoe Hold Down Spring & Cup
7	K71-703-00	1	LH & RH Brake Adjuster Kit Contains: 2 #046-139-00 Adjusting Screw Spring 1 #046-140-00 LH Lever Spring 1 #046-141-00 RH Lever Spring 1 #048-022-00 LH Adjuster Assembly 1 #048-023-00 RH Adjuster Assembly 2 #071-529-00 Hook for Cable 1 #071-532-01 LH Adjusting Lever 1 #071-532-02 RH Adjusting Lever 2 #071-533-00 Adjuster Cable 1 #071-655-01 LH Cable Lever 1 #071-655-02 RH Cable Lever 2 #071-656-00 Adjuster Cable
8	K71-125-00	1	Magnet Kit Contains: 1 #042-143-00 Magnet (black wire) 1 #027-009-00 Magnet Clip 1 #046-080-00 Magnet Spring (before 7/16) 1 #046-175-00 Magnet Spring (after 7/16)
9	046-007-00	2	Adjuster Slot Plug
10	046-016-00	1	Wire Grommet
11	007-271-00	4	Brake Mounting Bolt - Press-in
*12	006-017-00	4	Brake Mounting Nut

This brake will not fit axles produced prior to 5/1/09.

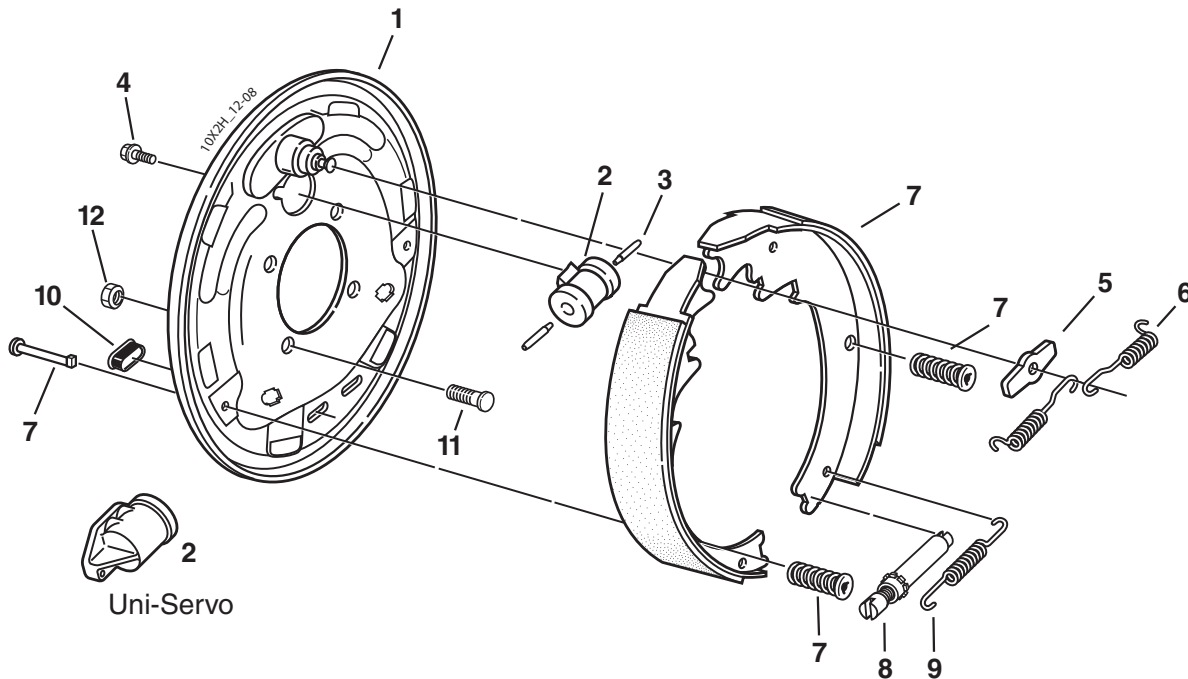
* Not included with complete brake assembly. Item sold separately.

D35, #10 10" x 2¼" Hydraulic Brake



CSA approved at 3500#/14.0 SLR; Uni-Servo

2300 - 4000 LBS. CAPACITY



Note: Uni-Servo brakes to be used with surge actuator

Hydraulic Brake

Item	Part No.	Qty/Brk	Description
0	K23-310-00	1	LH Complete Brake Assembly-DS
0	K23-311-00	1	RH Complete Brake Assembly-DS
0	K23-312-00	1	LH Complete Brake Assembly-US
0	K23-313-00	1	RH Complete Brake Assembly-US (shown)
1	036-094-03	1	Backing Plate Assembly (includes item #11)
2	054-062-00	1	LH Brake Cylinder Duo-Servo
2	054-063-00	1	RH Brake Cylinder Duo-Servo
2	054-064-00	1	LH Brake Cylinder Uni-Servo
2	054-065-00	1	RH Brake Cylinder Uni-Servo
3	054-060-00	1 or 2	Cylinder Push Rod US (1) DS (2)
4	087-001-00	2	Sems (screw & washer assembly)
5	005-113-00	1	Anchor Post Washer
6	046-009-00	2	Retractor Spring
7	K71-267-00	1	Shoe & Lining Kit Contains: 1 #040-210-00 Primary Shoe & Lining 1 #040-211-00 Secondary Shoe & Lining 2 #046-077-00 Shoe Hold Down Spring & Cup 2 #049-002-00 Shoe Hold Down Pin #8
8	043-004-00	1	Adjuster Assembly
9	046-018-00	1	Adjusting Screw Spring
10	046-007-00	1	Adjuster Slot Plug
11	007-041-00	4	Brake Mounting Bolt - Press-in
*12	006-017-00	4	Brake Mounting Nut
ns	054-089-00	1	Bleeder Screw (included with item #2)

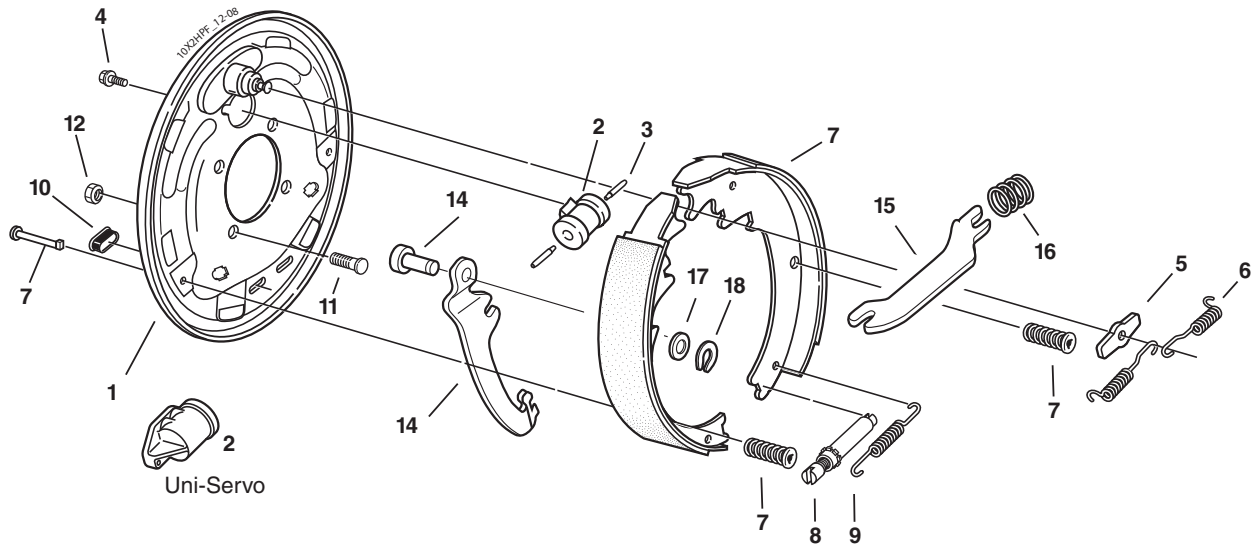
ns - not shown

* Not included with complete brake assembly. Item sold separately.

D35, #10 10" x 2¼" Hydraulic Brake With Parking Feature



CSA approved at 3500#/14.0 SLR; Uni-Servo



Note: Uni-Servo brakes to be used with surge actuator

Hydraulic Parking Brake

Item	Part No.	Qty/Brk	Description
0	K23-330-00	1	LH Complete Brake Assembly-w/park-US
0	K23-331-00	1	RH Complete Brake Assembly-w/park-US (shown)
0	K23-400-00	1	LH Complete Brake Assembly-w/park-DS
0	K23-401-00	1	RH Complete Brake Assembly-w/park-DS (shown)
1	036-094-03	1	Backing Plate Assembly (includes item #11)
2	054-064-00	1	LH Brake Cylinder Uni-Servo
2	054-065-00	1	RH Brake Cylinder Uni-Servo
2	054-062-00	1	LH Brake Cylinder Duo-Servo
2	054-063-00	1	RH Brake Cylinder Duo-Servo
3	054-060-00	1 or 2	Cylinder Push Rod US (1) DS (2)
4	087-001-00	2	Sems (screw & washer assembly)
5	005-113-00	1	Anchor Post Washer
6	046-009-00	2	Retractor Spring
7	K71-267-00	1	Shoe & Lining Kit Contains: 1 #040-210-00 Primary Shoe & Lining 1 #040-211-00 Secondary Shoe & Lining 2 #046-077-00 Shoe Hold Down Spring & Cup 2 #049-002-00 Shoe Hold Down Pin #8
8	043-004-00	1	Adjuster Assembly
9	046-018-00	1	Adjusting Screw Spring
10	046-007-00	1	Adjuster Slot Plug
11	007-041-00	4	Brake Mounting Bolt - Press-in
*12	006-017-00	4	Brake Mounting Nut
14	047-116-01	1	LH Parking Lever & Pin Assembly
14	047-117-01	1	RH Parking Lever & Pin Assembly
15	047-118-00	1	Parking Strut
16	046-103-00	1	Parking Strut Spring
17	005-112-00	1	Spring Tension Washer
18	069-055-00	1	Retainer
ns	054-089-00	1	Bleeder Screw (included with item #2)
*ns	071-514-00	1	Park Brake Cable

ns - not shown

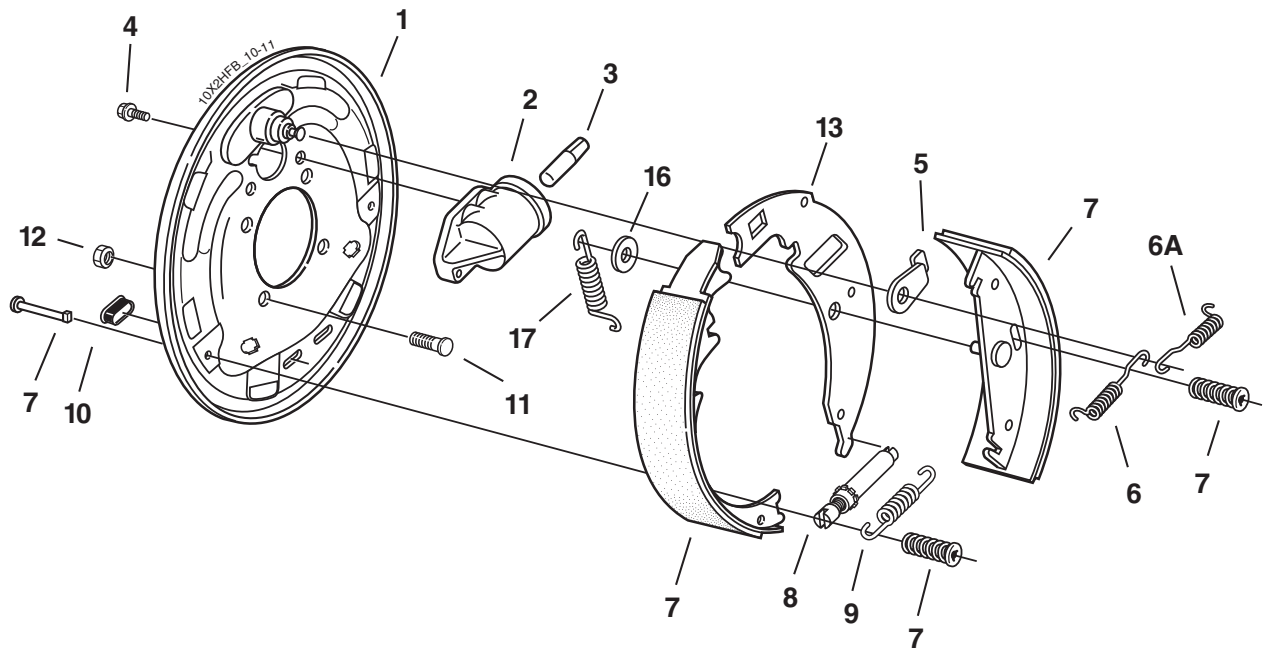
* Not included with complete brake assembly. Item sold separately.

D35, #10 10" x 2¼" Hydraulic Brake Free Backing



CSA approved at 3500#/14.0 SLR; Uni-Servo

2300 - 4000 LBS. CAPACITY



Note: Uni-Servo brakes to be used with surge actuator

Hydraulic Free Backing Brake

Item	Part No.	Qty/Brk	Description
0	K23-344-00	1	LH Complete Brake Assembly-FB
0	K23-345-00	1	RH Complete Brake Assembly-FB (shown)
1	036-094-03	1	Backing Plate Assembly (includes item #11)
2	054-064-00	1	LH Brake Cylinder Uni-Servo
2	054-065-00	1	RH Brake Cylinder Uni-Servo
3	054-060-00	1	Cylinder Push Rod
4	087-001-00	2	Sems (screw & washer assembly)
5	037-069-02	1	Travel Link
6	046-009-00	2	Retractor Spring
6A	046-107-01	1	Shoe Lever Return Spring
7	K71-393-00	1	Shoe & Lining Kit Contains: 1 #040-291-00 Primary Shoe & Lining 1 #040-211-00 Secondary Shoe & Lining 2 #046-077-00 Shoe Hold Down Spring & Cup 2 #049-002-00 Shoe Hold Down Pin #8
8	043-004-00	1	Adjuster Assembly
9	046-083-00	1	Adjusting Screw Spring
10	046-007-00	1	Adjuster Slot Plug
11	007-041-00	4	Brake Mounting Bolt - Press-in
*12	006-017-00	4	Brake Mounting Nut
13	040-240-02	1	Shoe Lever
16	005-064-00	1	Washer
17	046-108-01	1	Primary Shoe Return
ns	054-089-00	1	Bleeder Screw (included with item #2)
*ns	071-514-00	1	Park Brake Cable

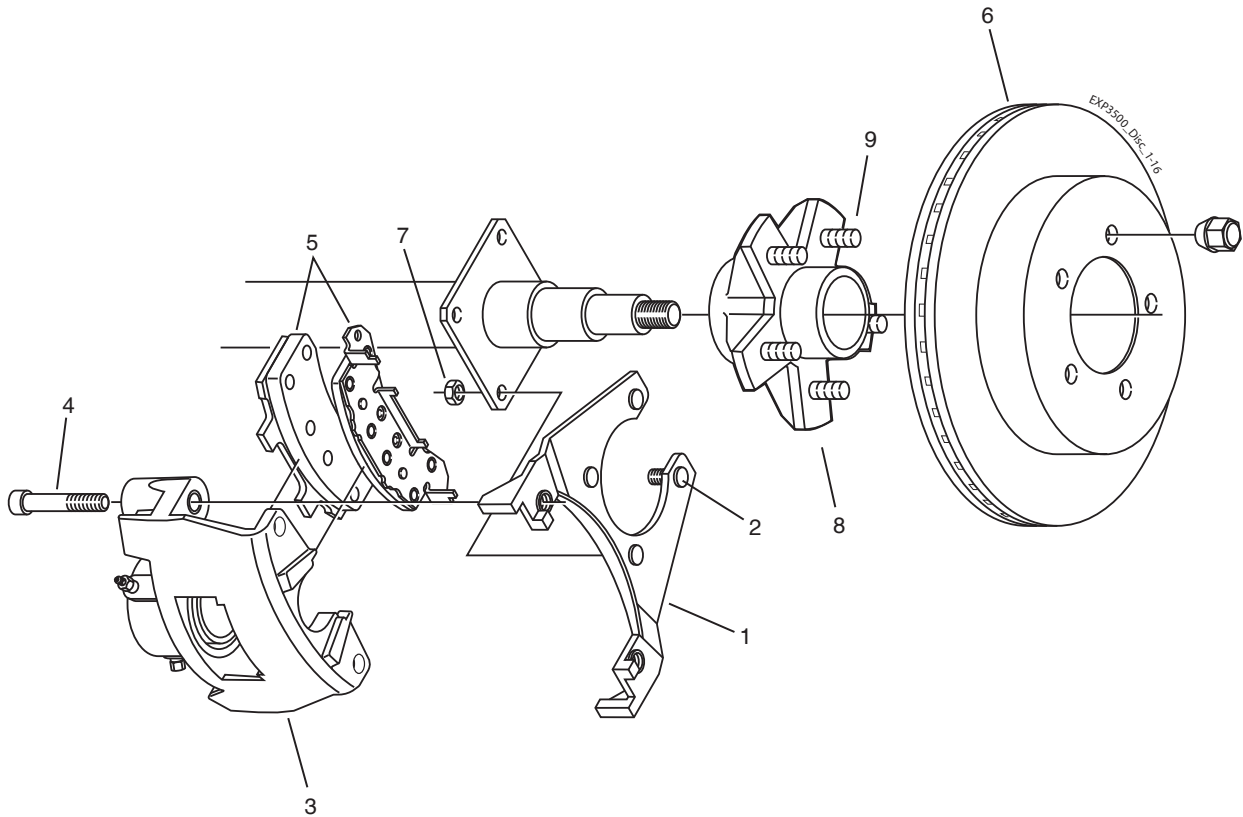
ns - not shown

* Not included with complete brake assembly. Item sold separately.

Hydraulic Free Backing Brake Corrosion Resistant

Item	Part No.	Qty/Brk	Description
0	K23-344-01	1	LH Complete Brake Assembly-FB
0	K23-345-01	1	RH Complete Brake Assembly-FB
1	036-094-04	1	Backing Plate Assembly (includes item #11)
2	054-064-01	1	LH Brake Cylinder Uni-Servo
2	054-065-01	1	RH Brake Cylinder Uni-Servo
3	054-060-00	1	Cylinder Push Rod
4	087-001-00	2	Sems (screw & washer assembly)
5	037-069-02	1	Travel Link
6	046-009-01	2	Retractor Spring
6A	046-107-03	1	Shoe Lever Return Spring
7	K71-423-00	1	Shoe & Lining Kit Contains: 1 #040-291-00 Primary Shoe & Lining 1 #040-211-00 Secondary Shoe & Lining 2 #046-077-00 Shoe Hold Down Spring & Cup 2 #049-002-00 Shoe Hold Down Pin #8
8	043-004-02	1	Adjuster Assembly
9	046-083-01	1	Adjusting Screw Spring
10	046-007-00	1	Adjuster Slot Plug
11	007-041-00	4	Brake Mounting Bolt - Press-in
*12	006-017-00	4	Brake Mounting Nut
13	040-240-02	1	Shoe Lever
16	005-064-00	1	Washer
17	046-108-03	1	Primary Shoe Return Spring
ns	054-089-00	1	Bleeder Screw (included with item #2)

D35, #10 Disc Brake for 3,500 Lb. Axles



Disc Brake 3500#

Item	Part No.	Qty/Brk	Description
1	090-004-01	1	Anchor Yoke Assembly (includes item #2)
2	007-041-00	4	Brake Mounting Bolt - Press-in
3	K71-624-00	1	Caliper Assembly Kit (includes item #5)
4	007-256-00	2	Caliper Mounting Bolt
5	K71-623-00	1	Brake Pad Kit (axle set)
6	K71-626-00	1	Rotor Kit
7	006-017-00	4	Yoke Mounting Nut
ns	054-097-00	1	Bleed Screw & Adapter (service part only)

Disc Brake Hubs & Studs

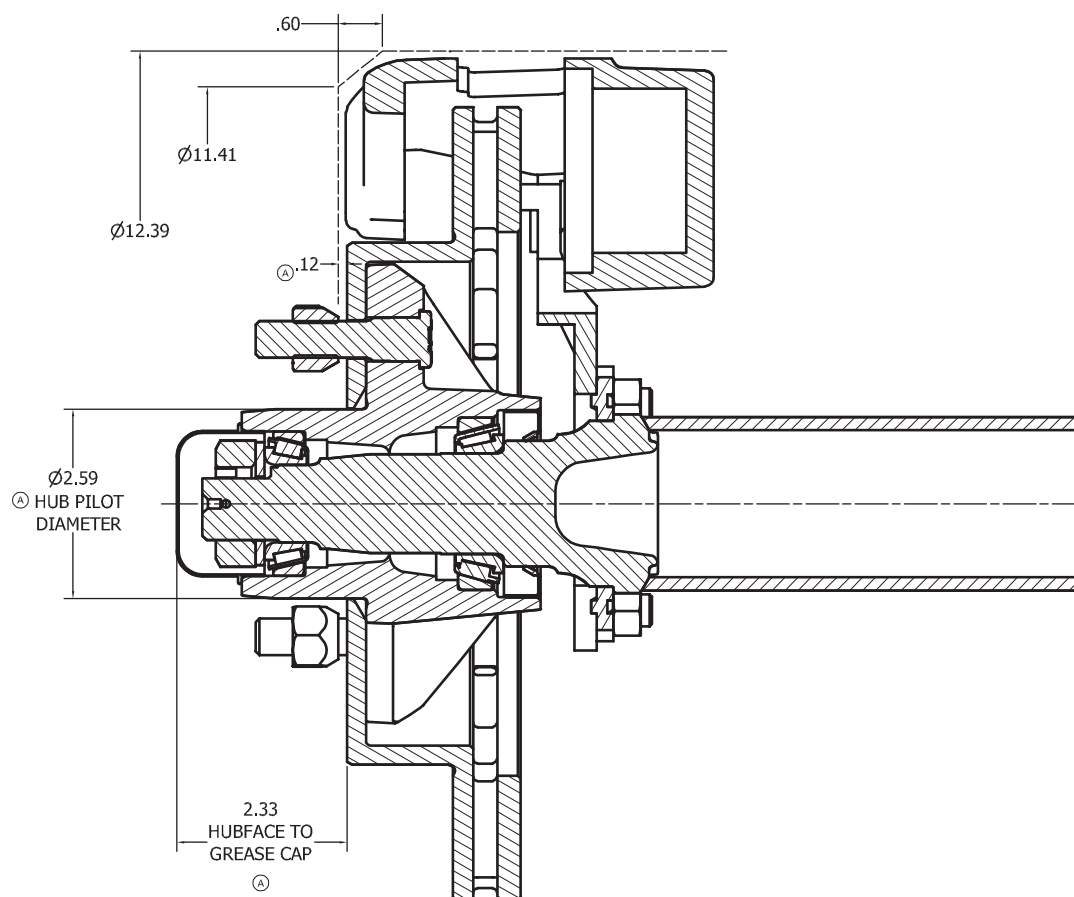
Item	Part No.	Qty/Brk	Description
8	008-248-22	1	1/2" Stud 5 on 4.50
9	007-150-00	5	1/2-20 x 2.09" Wheel Stud
ns	054-095-00	1	Bleeder Screw (included with items #3, 4)

ns - not shown

Recommended Wheel Clearance for 3,500 Lb. Disc Brake



2300 - 4000 LBS. CAPACITY



CAUTION: The above hub/rotor profile shows the minimum clearance needed to insure that no part of the wheel makes contact with any brake component.

Make sure the wheel is in full contact with the hub face and does not drag against the brake caliper. If there is not full contact with the hub face, you may experience a dangerous wheel separation.

General Applications



Axle Types

4100-6000 Lbs. Capacity

- Complete service manual
- Precision machined steel spindles and integral cast iron hub/drums
- Press-in wheel studs
- 10" x 2¼" CSA approved electric brakes
- 12" x 2" CSA approved electric brakes
- 12" x 2" hydraulic brakes
- Electric and hydraulic brakes are available with and without parking feature
- Hydraulic free backing brakes are available
- Inner wiring system for easier installation and protection of brake wiring
- Standard grease lubrication; E-Z Lube® or Nev-R-Lube® option
- Optional hot dipped galvanized axle beam
- Optional GAL-DEX® coated cast iron hub



- Totally rubber-cushioned for smooth, quiet, independent ride
- Easy installation with less maintenance
- Less transfer of road shock which insulates cargo from road shocks and vibration
- Rubber cords compounded for maximum dependability and durability
- Load-carrying cross member
- Self-damping action
- Independent wheel suspension system
- 10 year limited warranty on Torflex® suspension system
- Low profile for maximum road clearance
- Various starting angles to control trailer height
- High and low profile brackets with optional mounting brackets available
- Rubber cushioning eliminates metal-to-metal contact
- Shock absorption provided by the natural hysteresis of rubber
- Single or tandem axle assemblies
- Durable, wear-resistant components
- Optional stainless steel wear sleeves for grease seal journal
- Available in drop center V-bend axle beam

D44, D52 & D60 LEAF SPRING



- High strength 3" diameter tube
- Straight or Drop spindles (4" drop only)
- High quality alloy steel springs in a variety of capacities
- Single, tandem, or triple axle assemblies with equalized suspensions
- Slipper spring or double eye leaf spring suspension
- Optional hanger and attaching parts kits available
- Durable, wear-resistant components
- Optional stainless steel wear sleeves for grease seal journal
- Available in drop center V-bend axle beam
- 5 year limited warranty

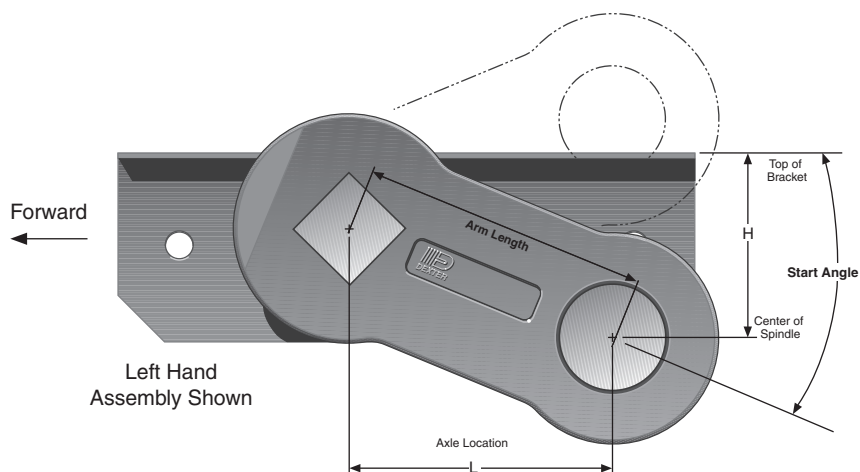


CAUTION: Triple axle assemblies are NOT recommended for #11 Torflex® axles.



Articulation Dimensions

Dimensions are for top mount only. Side mount is .25" higher. Allow 3" bump clearance from full load.



Start Angle	Bracket Profile	No Load		Full Load		Shock Load	
		H	L	H	L	H	L
45° Down	Low	6.01	4.24	4.07	5.54	2.94	5.88
	High	6.76	4.24	4.82	5.54	3.69	5.88
32° Down	Low	4.95	5.09	2.76	5.92	1.59	6.00
	High	5.70	5.09	3.51	5.92	2.34	6.00
22.5° Down	Low	4.07	5.54	1.77	6.00	0.60	5.88
	High	4.82	5.54	2.52	6.00	1.35	5.88
10° Down	Low	2.81	5.91	0.47	5.86	-0.65	5.49
	High	3.56	5.91	1.22	5.86	0.10	5.49
0°	Low	1.77	6.00	-0.53	5.54	-1.56	4.99
	High	2.52	6.00	0.22	5.54	-0.81	4.99
10° Up	Low	0.73	5.91	-1.45	5.06	-2.38	4.33
	High	1.48	5.91	-0.70	5.06	-1.63	4.33
22.5° Up	Low	-0.53	5.54	-2.47	4.24	-3.22	3.33
	High	0.22	5.54	-1.72	4.24	-2.47	3.33

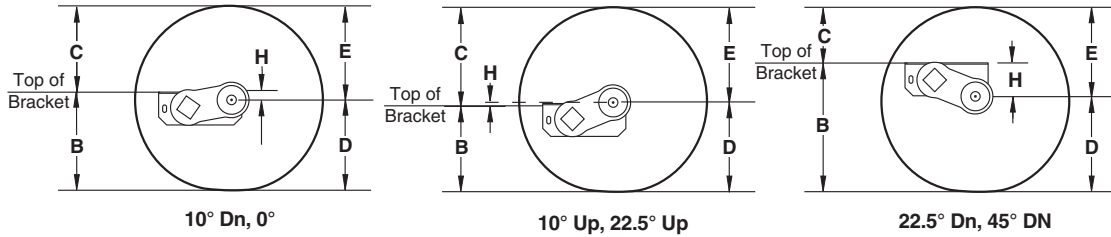
H = Height
L = Length

Note: Positive numbers in the H column indicate the spindle is BELOW the top of the bracket. Conversely, negative numbers are ABOVE the top of the bracket.



Full Load Dimensions

Dimensions are for low profile, top mount only. High profile brackets are .75" higher. Side mount is .25" higher. Allow 3" bump clearance from full load.



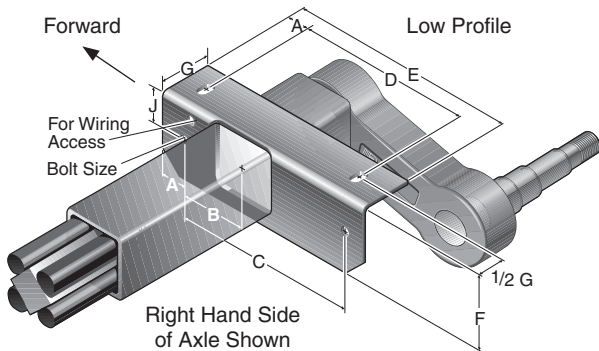
Start Angle

Tire	45° Down					32° Down					22.5° Down		
	D	E	H	B	C	D	E	H	B	C	H	B	C
ST225/75R15	13.0	14.4	4.1	17.1	10.3	13.0	14.4	2.8	15.8	11.6	1.8	14.8	12.6
LT235/85R16	14.3	15.4	4.1	18.4	11.3	14.3	15.4	2.8	17.1	12.6	1.8	16.1	13.6
LT225/75R16	13.5	14.9	4.1	17.6	10.8	13.5	14.9	2.8	16.3	12.1	1.8	15.3	13.1
8.75R16.5LT	13.8	14.8	4.1	17.9	10.7	13.8	14.8	2.8	16.6	12.0	1.8	15.6	13.0

Columns D and E are dimensional examples only:

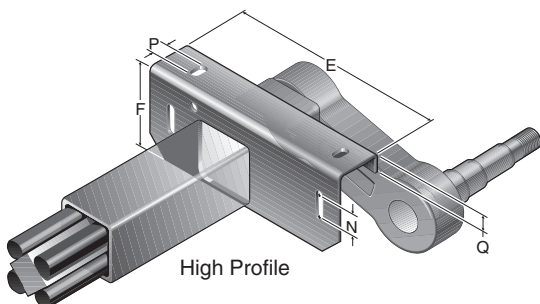
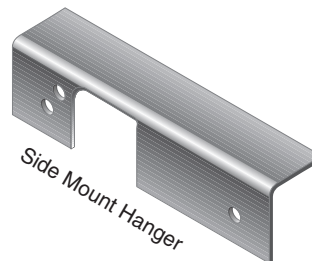
- D – Static Loaded Radius
- E – Inflated Radius

Tire	10° Down			0°			10° Up			22.5° Up		
	H	B	C	H	B	C	H	B	C	H	B	C
ST175/80R13	0.5	13.5	13.9	-0.5	12.5	14.9	-1.5	11.5	15.9	-2.5	10.5	16.9
ST205/75R14	0.5	14.8	14.9	-0.5	13.8	15.9	-1.5	12.8	16.9	-2.5	11.8	17.9
ST225/75R15	0.5	14.0	14.4	-0.5	13.0	15.4	-1.5	12.0	16.4	-2.5	11.0	17.4
8.75R16.5LT	0.5	14.3	14.3	-0.5	13.3	15.3	-1.5	12.3	16.3	-2.5	11.3	17.3



#11 Bracket Dimensions

	Low	High
A	.75	.75
B	3.50	3.50
C	9.50	9.50
D	9.00	9.00
E	11.00	11.00
F	3.91	4.66
G	2.50	2.50
J	1.83	1.83
N	----	1.03
P	----	1.00
Q	----	1.00
Bolt Size	5/8" bolt	
Tube Size	3.03	3.03



#11 Overhang Per Side

Spindle	Min.	Disc.*	Max.
Short	7.00"	7.50"	10.22"
Standard	7.50"	7.50"	10.22"

* Minimum overhang with disc brakes

Leaf Spring Application Information



4100 - 6000 LBS. CAPACITY

Double Eye Springs

For Standard 33" Axle Spacing
 Single A/P-122-00
 Tandem A/P-233-00
 Triple A/P-335-00

Spring Length

	21"	24"	26"
A	19.62	23.50	25.75
B	25.00	27.50	29.50
C	28.75	31.00	33.00
D	10.62	12.00	13.00
E	28.75	31.00	33.00

For Optional 35" Axle Spacing
 Tandem A/P-264-00
 Triple A/P-364-00

Spring Length

	21"	24"	26"
B	26.00	28.50	30.50
C	30.80	33.00	35.00
D	10.62	12.00	13.00
E	30.80	33.00	35.00

D44 Overhang Per Side

	Min.	Max.
Straight	6.00"	9.50"

D52 Overhang Per Side

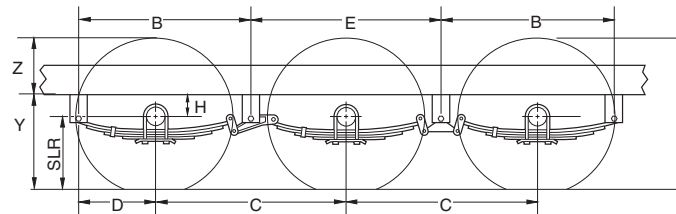
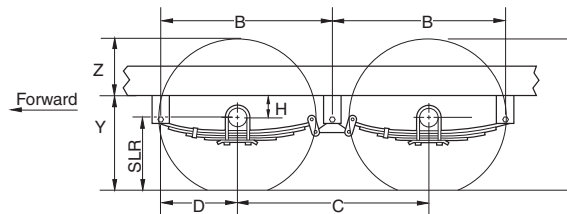
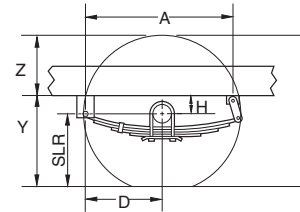
	Min.	Disc.*	Max.
Straight	6.63"	9.00"	9.50"
4" Drop	7.87"	N/A	9.50"
Nev-R-Lube®	6.19"	9.00"	9.50"

* Minimum overhang with disc brakes

D60 Overhang Per Side

	Min.	Disc.*	Max.
Straight	6.63"	9.00"	10.00"
4" Drop	7.87"	N/A	10.00"
Nev-R-Lube®	6.19"	9.00"	10.00"

* Minimum overhang with disc brakes



Double Eye Axle Assemblies

Hanger Kits

Part No.	Description	Height	Quantity Per Kit				
			HGR-104-00	HGR-105-00	HGR-248-00	HGR-249-00	HGR-348-00
028-005-00	Hanger	3.25"	2	----	4	2	4
028-006-00	Front Hanger	1.44"	----	2	----	----	----
029-008-00	Front Hanger	2.06"	----	----	----	4	----
029-031-00	Center Hanger	3.62"	----	----	2	----	4
030-020-00	Rear Hanger	.91"	2	2	----	----	----

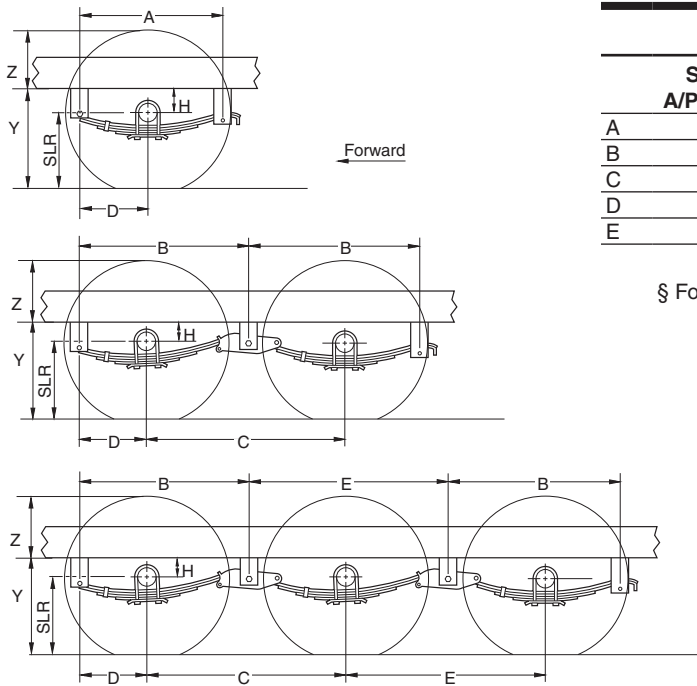
Attaching Parts Kits

Part No.	Description	Quantity Per Kit				
		A/P-122-00	A/P-233-00	A/P-264-00†	A/P-335-00	A/P-364-00†
006-092-01	Flange Locknut	6	14	14	22	22
007-126-00	Shackle Bolt	2	6	6	10	10
013-104-02	Equalizer	----	2	----	2	----
013-105-02	Equalizer	----	----	----	2	----
013-122-02	Equalizer	----	----	2	----	2
013-126-02	Equalizer	----	----	----	----	2
018-011-00	Shackle Link	----	4	4	6	6
018-012-00	Shackle Link, Long	2	----	----	----	----
018-020-00	Shackle Link Assembly	----	4	4	6	6
018-021-00	Shackle Link Assembly, Long	2	----	----	----	----

† For 35" axle spacing using 26" springs

Note: Common A/P kits are available in marine grade coating.

Leaf Spring Application Information



Slipper Springs

	Single	Tandem		Triple	
	A/P-103-00	A/P-202-00 [§]	A/P-216-00 [‡]	A/P-302-00 [§]	A/P-316-00 [‡]
A	24.0	----	----	----	----
B	----	28.8	30.4	28.8	30.4
C	----	33.5	36.0	33.5	36.0
D	11.5	11.5	11.5	11.5	11.5
E	----	----	----	33.0	35.0

Note: All 2" wide slipper springs
[§] For 33.5" axle spacing [‡] For 36" axle spacing

A, B, E – Hanger Spacing
 C – Axle Spacing
 D – Axle Location
 H – Center of Spindle
 Y – Frame Height
 Z – Top of Tire to Bottom of Frame
 SLR – Static Load Radius

To determine these values, contact your local sales engineer or distributor to run ProSpec™.

Slipper Spring Axle Assemblies

Hanger Kits

Part No.	Description	Height	Quantity Per Kit		
			HGR-110-00	HGR-202-00	HGR-302-00
028-001-00	Front Hanger	4.25"	2	2	2
029-001-00	Center Hanger	3.50"	----	2	4
030-028-00	Rear Hanger	4.00"	2	2	2

Attaching Parts Kits

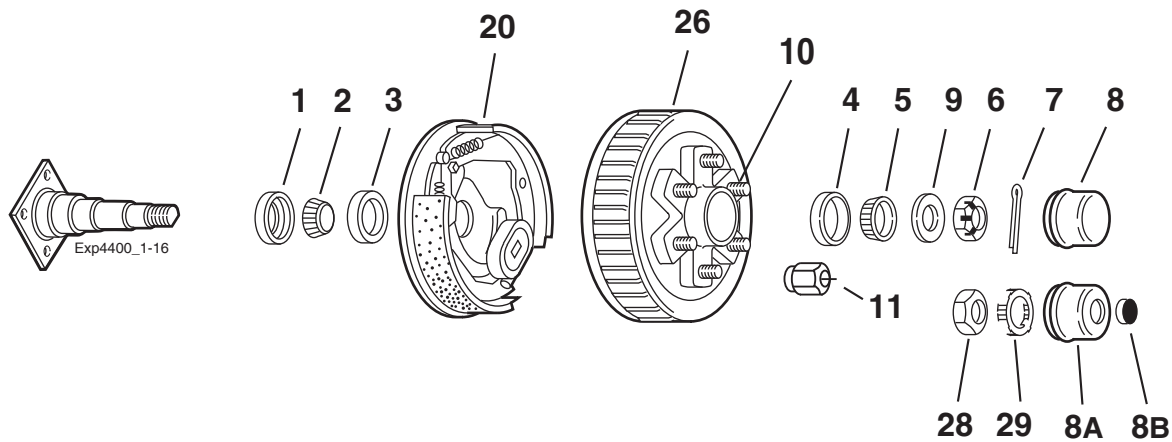
Part No.	Description	A/P-103-00	A/P-202-00 [§]	A/P-216-00 [‡]	A/P-302-00 [§]	A/P-316-00 [‡]
006-007-01	3/16-18 Locknut	2	4	4	6	6
006-011-00	Keeper Nut	2	4	4	6	6
006-111-00	Equalizer Nut	----	2	2	4	4
007-001-01	Equalizer Bolt	----	2	2	4	4
007-007-00	Keeper Bolt	2	4	4	6	6
007-017-00	Spring Eye Bolt	2	4	4	6	6
013-004-00	Equalizer	----	2	----	4	----
013-044-01	Equalizer	----	----	2	----	4

[§] For 33.5" axle spacing

[‡] For 36" axle spacing

Note: Common A/P kits are available in marine grade coating.

Some combinations of hangers and spring mountings may result in insufficient bump clearance. Refer to the Miscellaneous section for additional hanger kits, A/P kits, or other tires.



Grease Lube Parts

Item	Part No.	Description
1	010-019-00	Grease Seal for E-Z Lube®
2	031-033-02	L68149 Inner Bearing Cone
3	031-033-01	L68111 Inner Bearing Cup
4	031-032-01	LM67010 Outer Bearing Cup
5	031-032-02	LM67048 Outer Bearing Cone
6	006-176-00	Spindle Nut
7	019-002-00	Cotter Pin (not used with E-Z Lube®)
8	021-001-00	Grease Cap
8A	021-042-01	Grease Cap for E-Z Lube®
8B	085-001-00	Rubber Plug for E-Z Lube®
9	005-023-00	Spindle Washer
28	006-191-00	Special Jam Nut for E-Z Lube® (after 2002)
29	006-190-00	Spindle Nut Retainer for E-Z Lube® (after 2002)

10" x 2¼" Brakes Old Style Before 5/1/09

Item	Part No.	Description
ns	K23-454-00	LH Electric
ns	K23-455-00	RH Electric

10" x 2¼" Brakes New Style After 5/1/09

Item	Part No.	Description
20	K23-462-00	LH Electric
20	K23-463-00	RH Electric

ns - not shown

Note: Spindle is not available for resale.

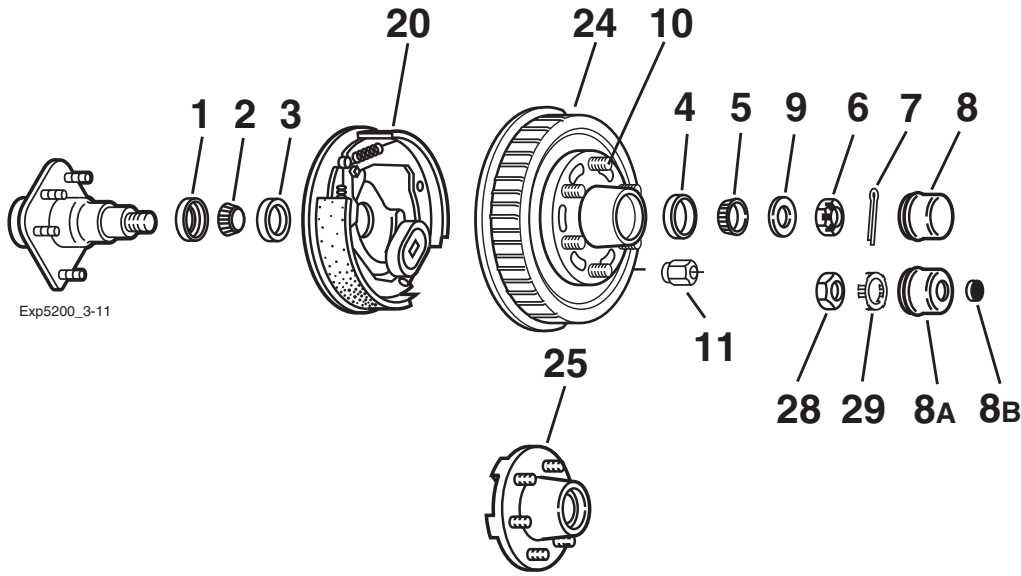
Hubs

Item	Part No.	Description	Bolt Circle
Hubs and Drums			
26	008-407-05	½" Stud	6 on 5.50

Studs & Wheel Nuts

Item	Part No.	Description
10	007-122-00	½-20 Pressed Wheel Stud
11	006-080-00	½-20 60° Cone Nut

D52, D60 655 Hub Group



Grease Lube Parts

Item	Part No.	Description
1	010-036-00	Grease Seal, E-Z Lube® Seal
1	010-063-00	Oil Seal
2	031-030-02	25580 Inner Bearing cone
3	031-030-01	25520 Inner Bearing Cup
4	031-032-01	LM67010 Outer Bearing Cup (for 5200#)
5	031-032-02	LM67048 Outer Bearing Cone (for 5200#)
4	031-029-01	15245 Outer Bearing Cup (for 6000#)
5	031-029-02	15123 Outer Bearing Cone (for 6000#)
6	006-176-00	Spindle Nut
7	019-002-00	Cotter Pin (not used with E-Z Lube®)
8	021-001-00	Grease Cap
8A	021-042-01	Grease Cap for E-Z Lube®
8B	085-001-00	Rubber Plug for E-Z Lube®
9	005-023-00	Spindle Washer
28	006-191-00	Special Jam Nut for E-Z Lube® (after 2002)
29	006-190-00	Spindle Nut Retainer for E-Z Lube® (after 2002)

12" x 2" Brakes

Item	Part No.	Description
20	K23-105-00/K23-106-00	LH/RH Electric 6K CSA
ns	K23-112-00/K23-113-00	LH/RH Electric w/park 6K CSA
ns	K23-324-00/K23-325-00	LH/RH Hydraulic Uni-servo
ns	K23-320-00/K23-321-00	LH/RH Hydraulic Uni-servo w/park
ns	K23-322-00/K23-323-00	LH/RH Hydraulic Duo-servo
ns	K23-318-00/K23-319-00	LH/RH Hydraulic Duo-servo w/park
ns	K23-342-00/K23-343-00	LH/RH Hydraulic Free Backing
ns	K23-340-00/K23-341-00	LH/RH Hydraulic Free Backing w/park
ns	K23-342-01/K23-343-01	LH/RH Hydraulic FB Corrosion Resistant
ns	K23-340-01/K23-341-01	LH/RH Hydraulic FB Corrosion Resistant w/park
ns	K23-458-00/K23-459-00	LH/RH Electric Nev-R-Adjust® 6K CSA

ns - not shown

Note: Spindle is not available for resale.

Hubs

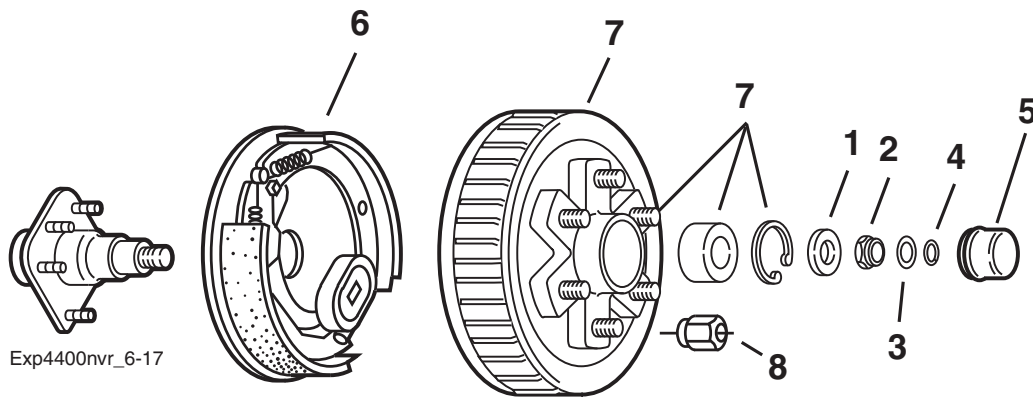
Item	Part No.	Description	Bolt Circle
Hubs and Drums			
24	008-201-05	½" Stud for 5200#	6 on 5.50
24	008-201-50	½" Stud for 5200# GAL-DEX® coated	6 on 5.50
24	008-201-09	½" Stud 15123 bearing for 6000#	6 on 5.50
24	008-201-51	½" Stud 15123 bearing for 6000# GAL-DEX® coated	6 on 5.50
Plain Hubs			
25	008-213-05	½" Stud for 5200#	6 on 5.50
25	008-213-50	½" Stud for 5200# GAL-DEX® coated	6 on 5.50
25	008-213-09	½" Stud 15123 bearing for 6000#	6 on 5.50
25	008-213-51	½" Stud 15123 bearing for 6000# GAL-DEX® coated	6 on 5.50

Studs & Wheel Nuts

Item	Part No.	Description
10	007-122-00	½-20 x 1.99 Long Press-in Stud*
10	007-262-00	½-20 x 2.70 Long Press-in Stud* (hub-drum after 2/09)
11	006-080-00	½-20 60° Cone Nut

* Stud length measured under head to end of stud.

8 on 6.5 hubs are available on these axles. See section in 5500-7000 lbs. capacity.



Exp4400nvr_6-17

Nev-R-Lube® Parts 42MM & 50MM

Item	Part No.	Description
1	005-147-01	Spindle Washer, 42mm
2	006-183-00	Spindle Nut
3	092-002-00	Washer, Torque Label
4	069-096-00	Snap Ring
5	021-085-00	Hub Cap, 42mm

12" x 2" Brakes

Item	Part No.	Description
6	K23-105-00/K23-106-00	LH/RH Electric, 6K CSA
ns	K23-112-00/K23-113-00	LH/RH Electric w/park, 6K CSA
ns	K23-324-00/K23-325-00	LH/RH Hydraulic Uni-servo, 5.2K
ns	K23-320-00/K23-321-00	LH/RH Hydraulic Uni-servo w/park, 5.2K
ns	K23-322-00/K23-323-00	LH/RH Hydraulic Duo-servo, 5.2K
ns	K23-318-00/K23-319-00	LH/RH Hydraulic Duo-servo w/park, 5.2K
ns	K23-338-00/K23-339-00	LH/RH Hydraulic Uni-servo, 7K
ns	K23-334-00/K23-335-00	LH/RH Hydraulic Uni-servo w/park, 7K
ns	K23-336-00/K23-337-00	LH/RH Hydraulic Duo-servo, 7K
ns	K23-332-00/K23-333-00	LH/RH Hydraulic Duo-servo w/park, 7K
ns	K23-342-00/K23-343-00	LH/RH Hydraulic Free Backing, 7K
ns	K23-340-00/K23-341-00	LH/RH Hydraulic Free Backing w/park, 7K
ns	K23-458-00/K23-459-00	LH/RH Electric Nev-R-Adjust® CSA

ns - not shown

Note: Spindle is not available for resale.

Hubs With Bearing and Wheel Studs

Item	Part No.	Description	Bolt Circle
7	008-388-80	Hub and Drum includes: 007-122-00 ½-20 Press-in Studs 031-073-03 42mm Bearing Cartridge 069-095-00 Bearing Retainer	6 on 5.50

Wheel Nuts

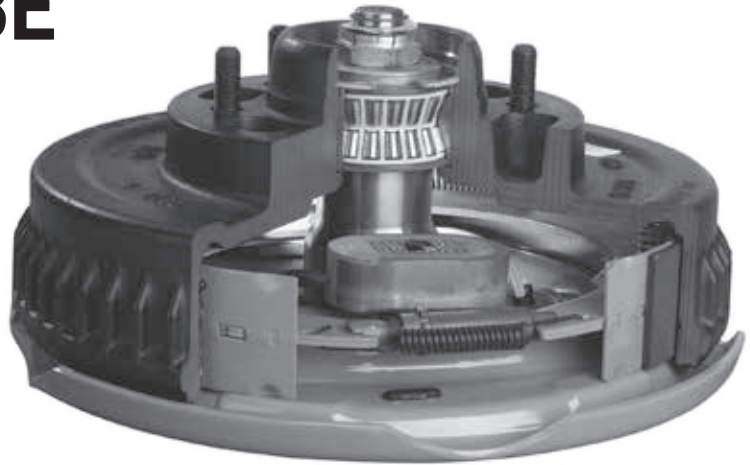
Item	Part No.	Description
8	006-080-00	½-20 60° Cone Nut

8 on 6.5 hubs are available on these axles.
See section in 5500-7000 lbs. capacity.

SAVE TIME, SAVE MONEY WITH NEV-R-LUBE[®]

Nev-R-Lube[®] Features

- No more inner and outer bearings to repack
- Pre-lubricated and resistant to contamination
- Sealed for life, no bearing maintenance
- Increased durability and reliability
- No replacing seals when checking brakes
- Pre-set adjustment allows for easy installation
- Human error is virtually eliminated in bearing adjustment
- Five-year or 100,000 mile limited warranty



What is Nev-R-Lube[®]?

Dexter's Nev-R-Lube[®] bearings are comprised of opposed tapered roller bearing cones sealed inside of a precision ground, one piece double cup arrangement. These bearings are designed with a small amount of axle end play. The end play is essential to the longevity of the bearing's service life. Nev-R-Lube[®] is not designed for immersion in water, such as boat trailer use.

42mm SEALED CARTRIDGE BEARINGS

- D52 and D60 leaf spring axles
- #11 and #12 Torflex[®] axles
- Straight spindles only
- Up to 6,000 lbs. capacity
- 6 on 5.50" bolt circle hub-drums
- 12" x 2" brakes
- Use only zero offset wheels

50mm SEALED CARTRIDGE BEARINGS

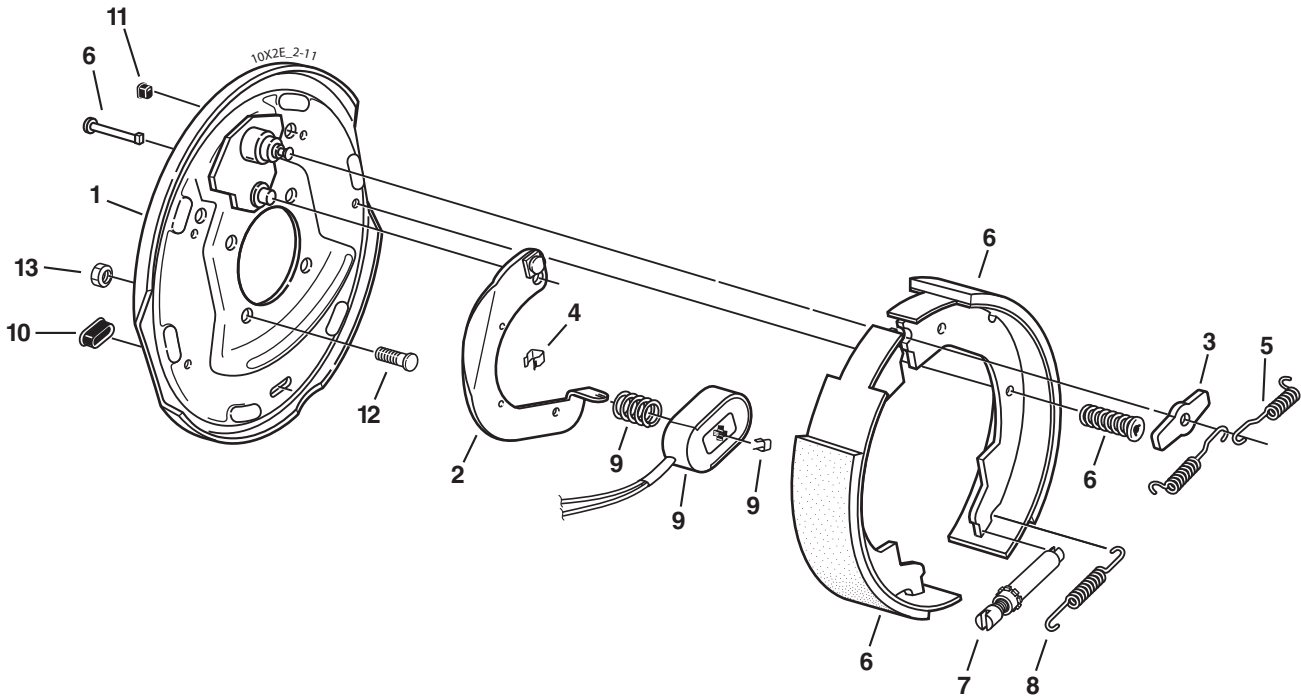
- D70, D72, and D80 leaf spring axles
- #12, #12V, and #13 Torflex[®] axles
- Straight spindles only
- Up to 8,000 lbs. capacity
- 8 on 6.50" bolt circle hub-drums
- 12" x 2", 12¼" x 2½", and 12¼" x 3⅜" brakes
- Can be used with zero to ½" inset wheels at 7,000 lb. ratings
- Zero offset or 0.19" inset wheels only at 8,000 lbs. capacity

D44 10" x 2¼" Electric Brake Manual Adjust



CSA approved at 4400#/13.0 SLR

4100 - 6000 LBS. CAPACITY



Electric Brake Old Style Before 5/1/09

Item	Part No.	Qty/Brk	Description
ns	K23-454-00	1	LH Complete Brake Assembly
ns	K23-455-00	1	RH Complete Brake Assembly
1	036-019-16	1	Backing Plate Assembly
2	047-019-05	1	LH Actuating Lever Arm
2	047-020-05	1	RH Actuating Lever Arm
3	005-067-00	1	Washer
4	027-005-00	2	Wire Clip
5	046-009-00	2	Retractor Spring
6	K71-672-00	1	Shoe & Lining Kit Contains: 1 #040-361-00 Primary Shoe & Lining 1 #040-362-00 Secondary Shoe & Lining 2 #049-002-00 Shoe Hold Down Pin #8 2 #046-077-00 Shoe Hold Down Spring & Cup
7	043-004-00	1	Adjuster Assembly
8	046-018-00	1	Adjusting Screw Spring
9	K71-125-00	1	Magnet Kit Contains: 1 #042-143-00 Magnet (black wire) 1 #027-009-00 Magnet Clip 1 #046-080-00 Magnet Spring (before 7/16) 1 #046-175-00 Magnet Spring (after 7/16)
10	046-007-00	2	Adjuster Slot Plug
11	046-016-00	1	Wire Grommet
12	007-271-00	4	Brake Mounting Bolt - Press-in
*13	006-017-00	4	Brake Mounting Nut

ns - not shown

* Not included with complete brake assembly. Item sold separately.

Electric Brake New Style After 5/1/09

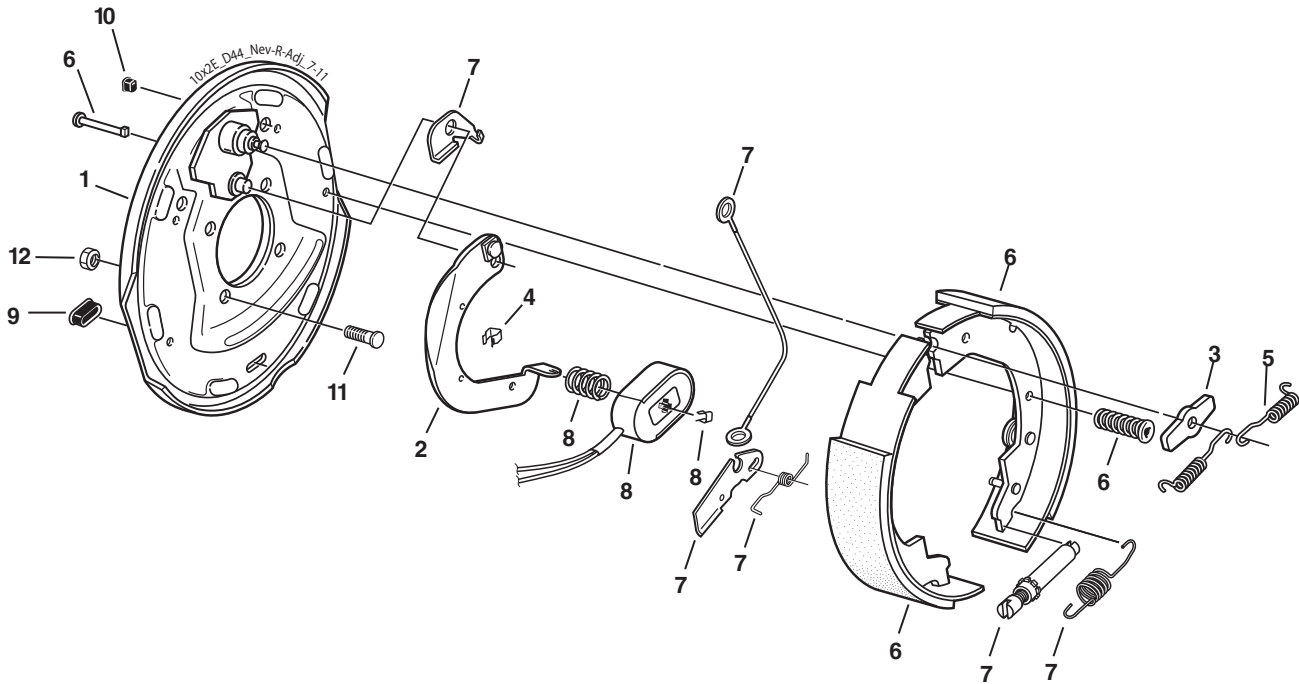
Item	Part No.	Qty/Brk	Description
0	K23-462-00	1	LH Complete Brake Assembly (shown)
0	K23-463-00	1	RH Complete Brake Assembly
1	036-019-19	1	Backing Plate Assembly
2	047-019-05	1	LH Actuating Lever Arm
2	047-020-05	1	RH Actuating Lever Arm
3	005-067-00	1	Washer
4	027-005-00	2	Wire Clip
5	046-009-00	2	Retractor Spring
6	K71-672-00	1	Shoe & Lining Kit Contains: 1 #040-361-00 Primary Shoe & Lining 1 #040-362-00 Secondary Shoe & Lining 2 #049-002-00 Shoe Hold Down Pin #8 2 #046-077-00 Shoe Hold Down Spring & Cup
7	043-004-00	1	Adjuster Assembly
8	046-018-00	1	Adjusting Screw Spring
9	K71-125-00	1	Magnet Kit Contains: 1 #042-143-00 Magnet (black wire) 1 #027-009-00 Magnet Clip 1 #046-080-00 Magnet Spring
10	046-007-00	2	Adjuster Slot Plug
11	046-016-00	1	Wire Grommet
12	007-271-00	4	Brake Mounting Bolt - Press-in
*13	006-017-00	4	Brake Mounting Nut

* Not included with complete brake assembly. Item sold separately.

D44 10" x 2¼" Nev-R-Adjust® Electric Brake



CSA approved at 4400#/13.0 SLR



Electric Brake

Item	Part No.	Qty/Brk	Description
0	K23-478-00	1	LH Complete Brake Assembly (shown)
0	K23-479-00	1	RH Complete Brake Assembly
1	036-019-19	1	Backing Plate Assembly
2	047-019-10	1	LH Actuating Lever Arm
2	047-020-10	1	RH Actuating Lever Arm
3	005-067-00	1	Washer
4	027-011-00	2	Wire Clip
5	046-009-00	2	Retractor Spring
6	K71-698-00	1	LH Shoe & Lining Kit Contains: 1 #040-379-00 Primary Shoe & Lining 1 #040-380-01 Secondary Shoe & Lining 2 #049-002-00 Shoe Hold Down Pin #8 2 #046-077-00 Shoe Hold Down Spring & Cup
6	K71-699-00	1	RH Shoe & Lining Kit Contains: 1 #040-379-00 Primary Shoe & Lining 1 #040-380-02 Secondary Shoe & Lining 2 #049-002-00 Shoe Hold Down Pin #8 2 #046-077-00 Shoe Hold Down Spring & Cup
7	K71-703-00	1	LH & RH Brake Adjuster Kit Contains: 2 #046-139-00 Adjusting Screw Spring 1 #046-140-00 LH Lever Spring 1 #046-141-00 RH Lever Spring 1 #048-022-00 LH Adjuster Assembly 1 #048-023-00 RH Adjuster Assembly 2 #071-529-00 Hook for Cable 1 #071-532-01 LH Adjusting Lever 1 #071-532-02 RH Adjusting Lever 2 #071-533-00 Adjuster Cable 1 #071-655-01 LH Cable Lever 1 #071-655-02 RH Cable Lever 2 #071-656-00 Adjuster Cable
8	K71-125-00	1	Magnet Kit Contains: 1 #042-143-00 Magnet (black wire) 1 #027-009-00 Magnet Clip 1 #046-080-00 Magnet Spring (before 7/16) 1 #046-175-00 Magnet Spring (after 7/16)
9	046-007-00	2	Adjuster Slot Plug
10	046-016-00	1	Wire Grommet
11	007-271-00	4	Brake Mounting Bolt - Press-in
*12	006-017-00	4	Brake Mounting Nut

This brake will not fit axles produced prior to 5/1/09.

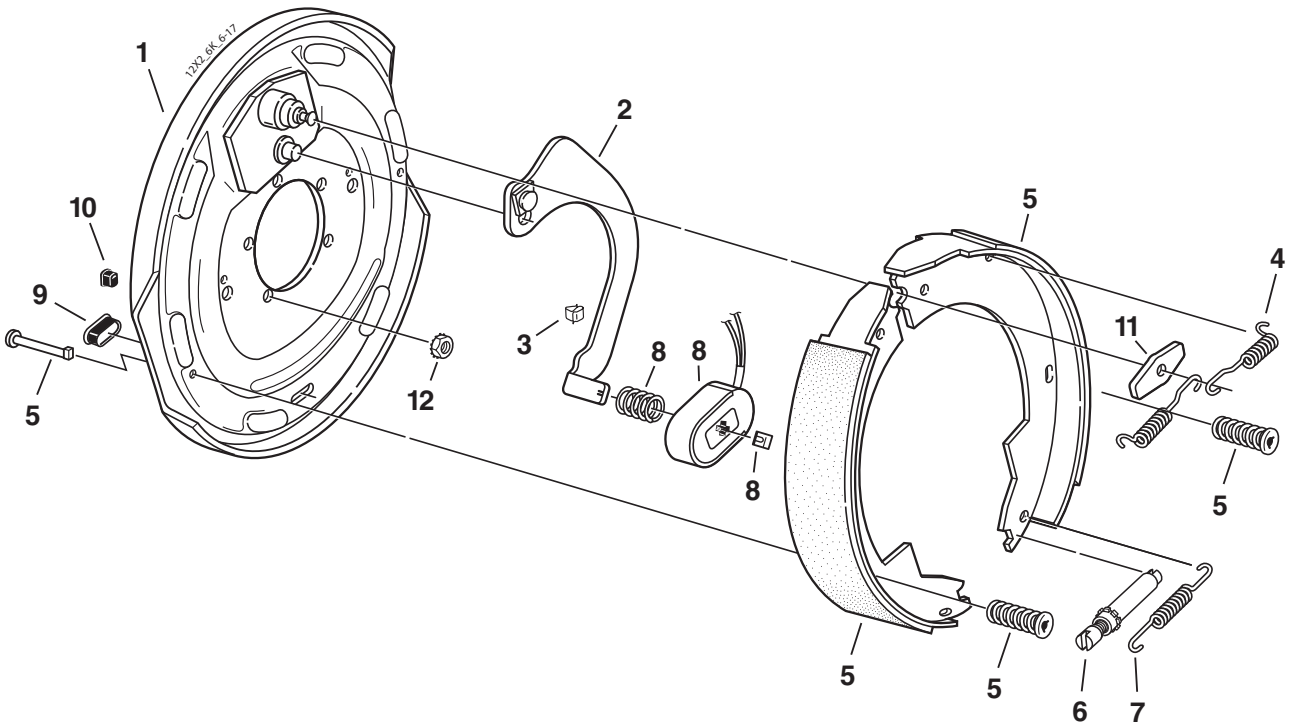
* Not included with complete brake assembly. Item sold separately.

D52, D60 12" x 2" Electric Brake



CSA approved at 6000#/14.2 SLR

4100 - 6000 LBS. CAPACITY



Electric Brake 6000# (CSA 6000#)

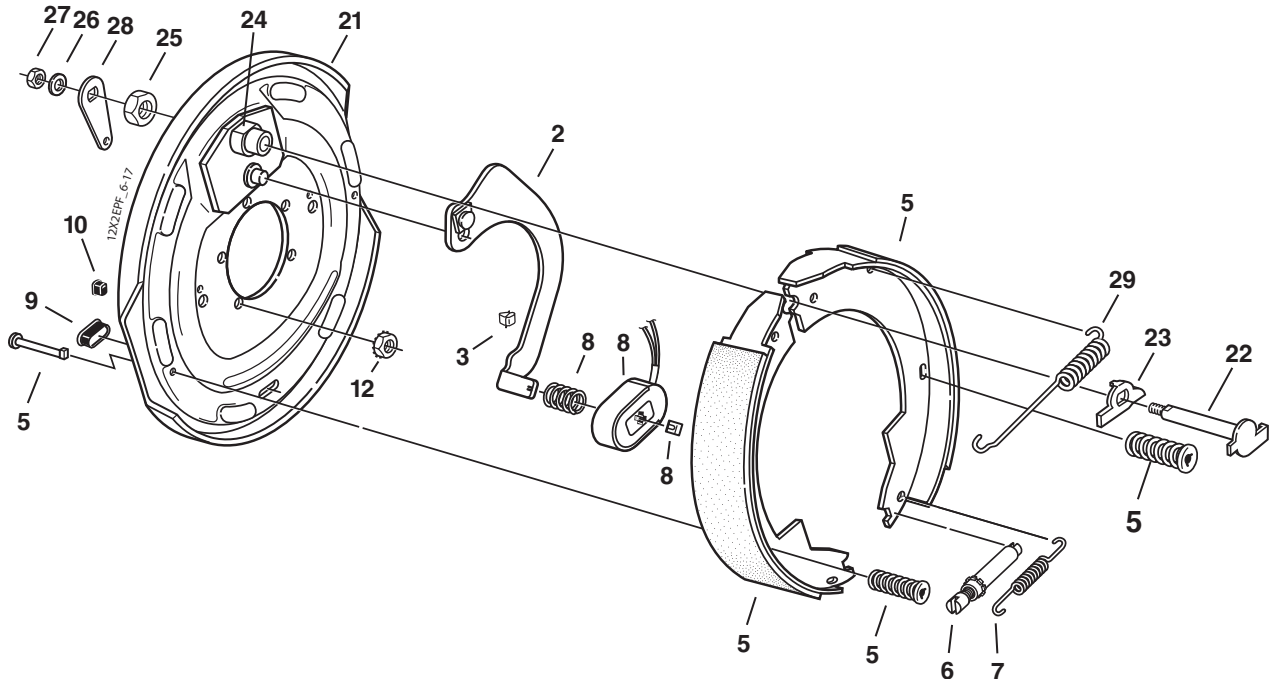
Item	Part No.	Qty/Brk	Description
0	K23-105-00	1	LH Complete Brake Assembly
0	K23-106-00	1	RH Complete Brake Assembly (shown)
1	036-089-10	1	Backing Plate Assembly
2	047-107-05	1	LH Actuating Lever Arm Assembly
2	047-108-05	1	RH Actuating Lever Arm Assembly
3	027-005-00	2	Wire Clip
4	046-009-00	2	Retractor Spring
5	K71-127-00	1	Shoe & Lining Kit Contains: 1 #040-215-00 Primary Shoe & Lining 1 #040-216-00 Secondary Shoe & Lining 2 #049-011-00 Shoe Hold Down Pin #2 2 #046-077-00 Shoe Hold Down Spring & Cup
6	043-004-00	1	Adjuster Assembly
7	046-018-00	1	Adjusting Screw Spring
8	K71-105-00	1	Magnet Kit Contains: 1 #042-149-00 Magnet (white wire) 1 #027-009-00 Magnet Clip 1 #046-080-00 Magnet Spring (before 7/16) 1 #046-175-00 Magnet Spring (after 7/16)
9	046-007-00	2	Adjuster Slot Plug
10	046-016-00	1	Wire Grommet
11	005-067-00	1	Anchor Post Washer
*12	006-193-00	5	Nut Washer Assembly

* Not included with complete brake assembly. Item sold separately.

D52, D60 12" x 2" Electric Brake With Parking Feature



CSA approved at 6000#/14.2 SLR



Electric Parking Brake 6000# (CSA 6000#)

Item	Part No.	Qty/Brk	Description
0	K23-112-00	1	LH Complete Brake Assembly
0	K23-113-00	1	RH Complete Brake Assembly (shown)
2	047-107-05	1	LH Actuating Lever Arm Assembly
2	047-108-05	1	RH Actuating Lever Arm Assembly
3	027-005-00	2	Wire Clip
5	K71-127-00	1	Shoe & Lining Kit Contains: 1 #040-215-00 Primary Shoe & Lining 1 #040-216-00 Secondary Shoe & Lining 2 #049-011-00 Shoe Hold Down Pin #2 2 #046-077-00 Shoe Hold Down Spring & Cup
6	043-004-00	1	Adjuster Assembly
7	046-018-00	1	Adjusting Screw Spring
8	K71-105-00	1	Magnet Kit Contains: 1 #042-149-00 Magnet (white wire) 1 #027-009-00 Magnet Clip 1 #046-080-00 Magnet Spring (before 7/16) 1 #046-175-00 Magnet Spring (after 7/16)
9	046-007-00	2	Adjuster Slot Plug
10	046-016-00	1	Wire Grommet
*12	006-193-00	5	Nut Washer Assembly
20	036-089-08	1	LH Backing Plate Assembly Complete (includes #21-28)
20	036-089-09	1	RH Backing Plate Assembly Complete (includes #21-28)
21	036-089-06	1	LH Backing Plate Assembly
21	036-089-07	1	RH Backing Plate Assembly
22	039-025-00	1	LH Pivot Pin & Cam Sub-Assembly
22	039-026-00	1	RH Pivot Pin & Cam Sub-Assembly
23	039-048-00	1	LH Actuating Cam
23	039-049-00	1	RH Actuating Cam
24	038-068-00	1	Anchor Post & Bushing Sub-Assembly
25	006-047-00	1	Anchor Post Locknut
26	005-041-00	1	Washer
27	006-011-00	1	Pivot Pin Locknut
28	047-070-00	1	Parking Brake Lever
29	046-005-00	1	Retractor Spring

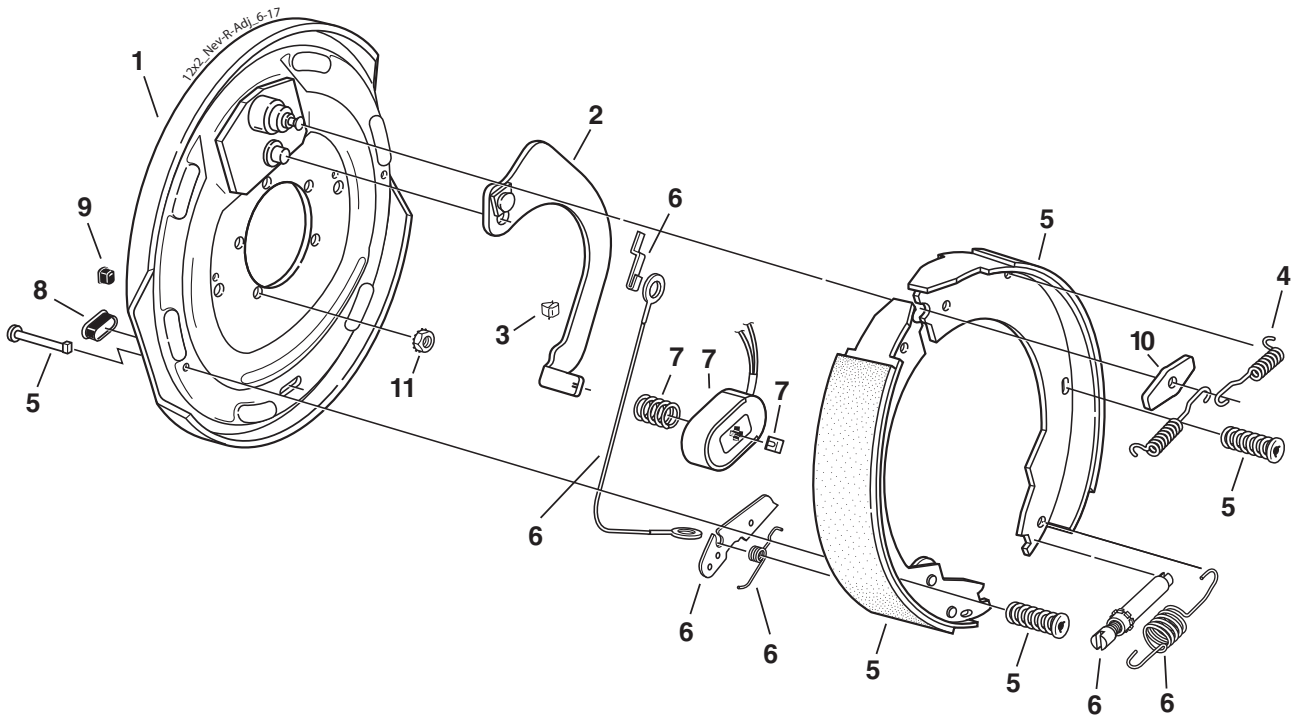
* Not included with complete brake assembly. Item sold separately.

D52, D60 12" x 2" Nev-R-Adjust® Electric Brake



CSA approved at 6000#/14.2 SLR

4100 - 6000 LBS. CAPACITY

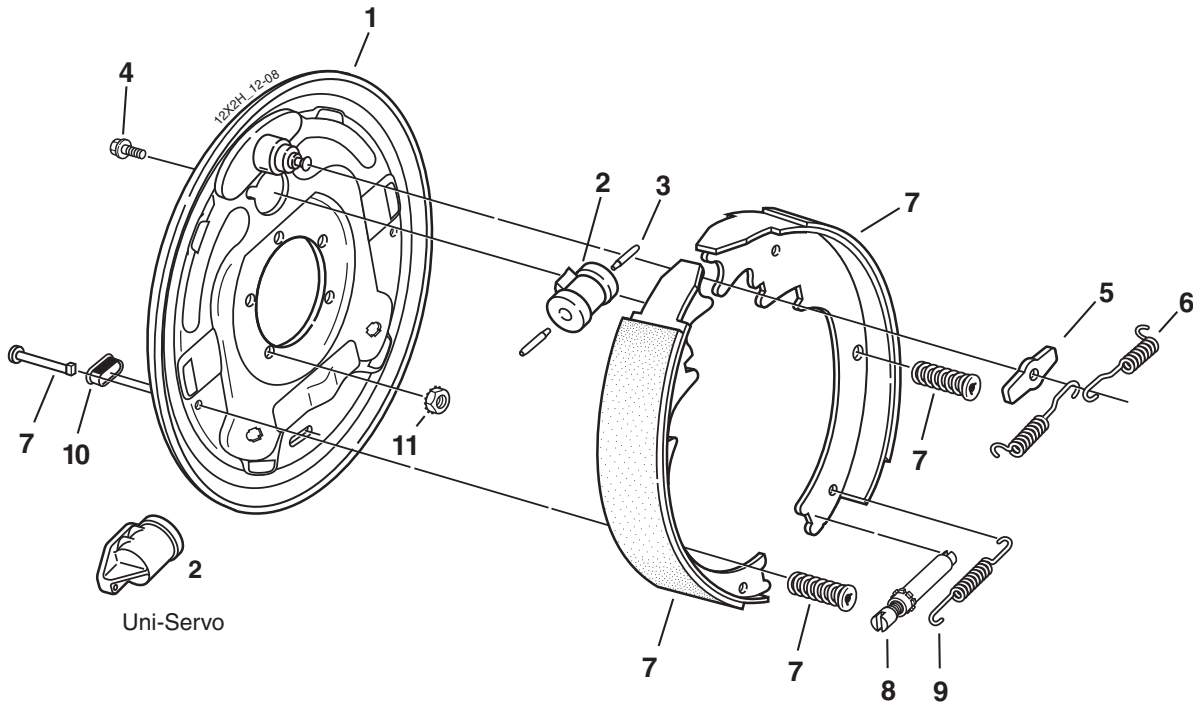


Electric Brake 6000# (CSA 6000#)

Item	Part No.	Qty/Brk	Description
0	K23-458-00	1	LH Complete Brake Assembly
0	K23-459-00	1	RH Complete Brake Assembly (shown)
1	036-089-10	1	Backing Plate Assembly
2	047-107-05	1	LH Actuating Lever Arm Assembly
2	047-108-05	1	RH Actuating Lever Arm Assembly
3	027-005-00	2	Wire Clip
4	046-009-00	2	Retractor Spring
5	K71-675-00	1	LH Shoe & Lining Kit Contains: 1 #040-215-00 Primary Shoe & Lining 1 #040-216-01 Secondary Shoe & Lining 2 #049-011-00 Shoe Hold Down Pin #2 2 #046-077-00 Shoe Hold Down Spring & Cup
5	K71-676-00	1	RH Shoe & Lining Kit Contains: 1 #040-215-00 Primary Shoe & Lining 1 #040-216-02 Secondary Shoe & Lining 2 #049-011-00 Shoe Hold Down Pin #2 2 #046-077-00 Shoe Hold Down Spring & Cup
6	K71-679-00	1	LH & RH Brake Adjuster Kit Contains: 2 #046-139-00 Adjusting Screw Spring 1 #046-140-00 LH Lever Spring 1 #046-141-00 RH Lever Spring 1 #048-022-00 LH Adjuster Assembly 1 #048-023-00 RH Adjuster Assembly 2 #071-528-00 Adjuster Cable 2 #071-529-00 Hook for Cable 1 #071-530-01 LH Adjusting Lever 1 #071-530-02 RH Adjusting Lever
7	K71-105-00	1	Magnet Kit Contains: 1 #042-149-00 Magnet (white wire) 1 #027-009-00 Magnet Clip 1 #046-080-00 Magnet Spring (before 7/16) 1 #046-175-00 Magnet Spring (after 7/16)
8	046-007-00	2	Adjuster Slot Plug
9	046-016-00	1	Wire Grommet
10	005-067-00	1	Anchor Post Washer
*11	006-193-00	5	Nut Washer Assembly

* Not included with complete brake assembly. Item sold separately.

D52, D60 12" x 2" Hydraulic Brake



Note: Uni-Servo brakes to be used with surge actuator

Hydraulic Brake 5200#

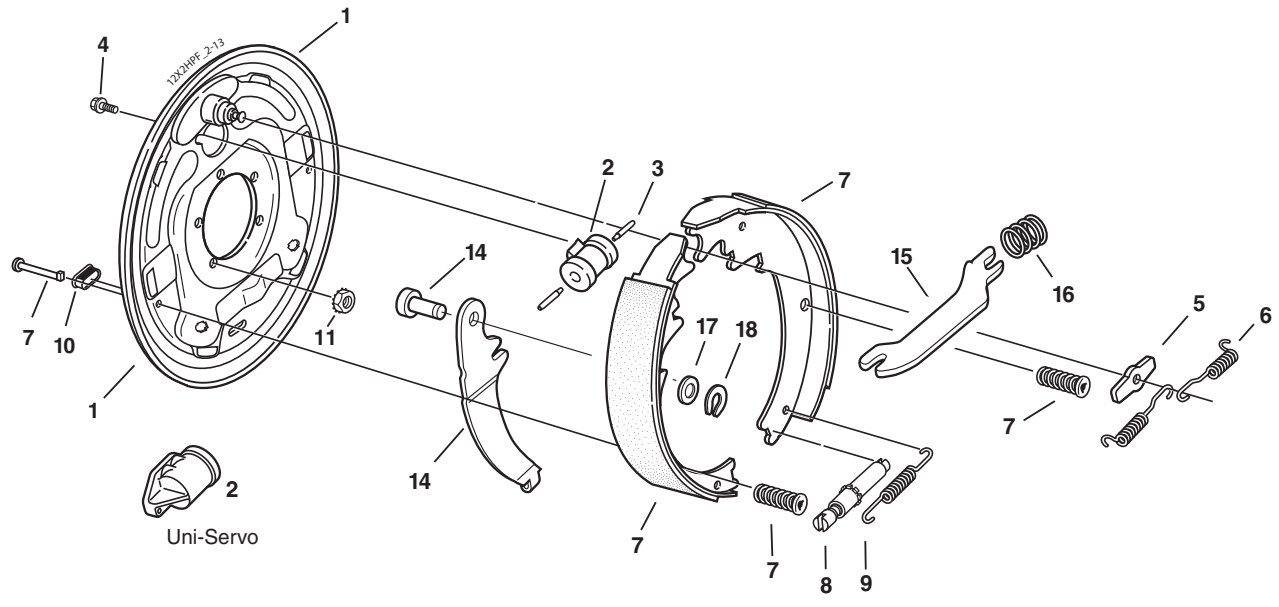
Item	Part No.	Qty/Brk	Description
0	K23-322-00	1	LH Complete Brake Assembly-DS
0	K23-323-00	1	RH Complete Brake Assembly-DS (shown)
0	K23-324-00	1	LH Complete Brake Assembly-US
0	K23-325-00	1	RH Complete Brake Assembly-US (shown)
1	036-093-03	1	Backing Plate Assembly
2	054-062-00	1	LH Brake Cylinder Duo-Servo
2	054-063-00	1	RH Brake Cylinder Duo-Servo
2	054-064-00	1	LH Brake Cylinder Uni-Servo
2	054-065-00	1	RH Brake Cylinder Uni-Servo
3	054-060-00	1 or 2	Cylinder Push Rod US (1) DS (2)
4	087-001-00	2	Sems (screw & washer assembly)
5	005-113-00	1	Anchor Post Washer
6	046-101-00	2	Retractor Spring
7	K71-268-00	1	Shoe & Lining Kit Contains: 1 #040-204-00 Primary Shoe & Lining 1 #040-206-00 Secondary Shoe & Lining 2 #046-077-00 Shoe Hold Down Spring & Cup 2 #049-012-00 Shoe Hold Down Pin #4
8	043-029-00	1	Adjuster Assembly
9	046-102-00	1	Adjusting Screw Spring
10	046-007-00	1	Adjuster Slot Plug
*11	006-193-00	5	Nut Washer Assembly
ns	054-089-00	1	Bleeder Screw (included with item #2)

ns - not shown

* Not included with complete brake assembly. Item sold separately.

D52, D60 12" x 2" Hydraulic Brake With Parking Feature

4100 - 6000 LBS. CAPACITY



Note: Uni-Servo brakes to be used with surge actuator

Hydraulic Parking Brake 5200#

Item	Part No.	Qty/Brk	Description
0	K23-318-00	1	LH Complete Brake Assembly-DS
0	K23-319-00	1	RH Complete Brake Assembly-DS (shown)
0	K23-320-00	1	LH Complete Brake Assembly-US
0	K23-321-00	1	RH Complete Brake Assembly-US (shown)
1	036-093-19	1	LH Backing Plate Assembly
1	036-093-20	1	RH Backing Plate Assembly
2	054-062-00	1	LH Brake Cylinder Duo-Servo
2	054-063-00	1	RH Brake Cylinder Duo-Servo
2	054-064-00	1	LH Brake Cylinder Uni-Servo
2	054-065-00	1	RH Brake Cylinder Uni-Servo
3	054-060-00	1 or 2	Cylinder Push Rod US (1) DS (2)
4	087-001-00	2	Sems (screw & washer assembly)
5	005-113-00	1	Anchor Post Washer
6	046-101-00		Retractor Spring
7	K71-268-00	1	Shoe & Lining Kit Contains: 1 #040-204-00 Primary Shoe & Lining 1 #040-206-00 Secondary Shoe & Lining 2 #046-077-00 Shoe Hold Down Spring & Cup 2 #049-012-00 Shoe Hold Down Pin #4
8	043-029-00	1	Adjuster Assembly
9	046-102-00	1	Adjusting Screw Spring
10	046-007-00	1	Adjuster Slot Plug
*11	006-193-00	5	Nut Washer Assembly
14	047-110-01	1	LH Parking Lever and Pin
14	047-111-01	1	RH parking Lever and Pin
15	047-109-00	1	Parking Strut
16	046-103-00	1	Parking Strut Spring
17	005-112-00	1	Spring Tension Washer
18	069-055-00	1	Retainer
ns	054-089-00	1	Bleeder Screw (included with item #2)
*ns	071-515-00	1	Park Brake Cable

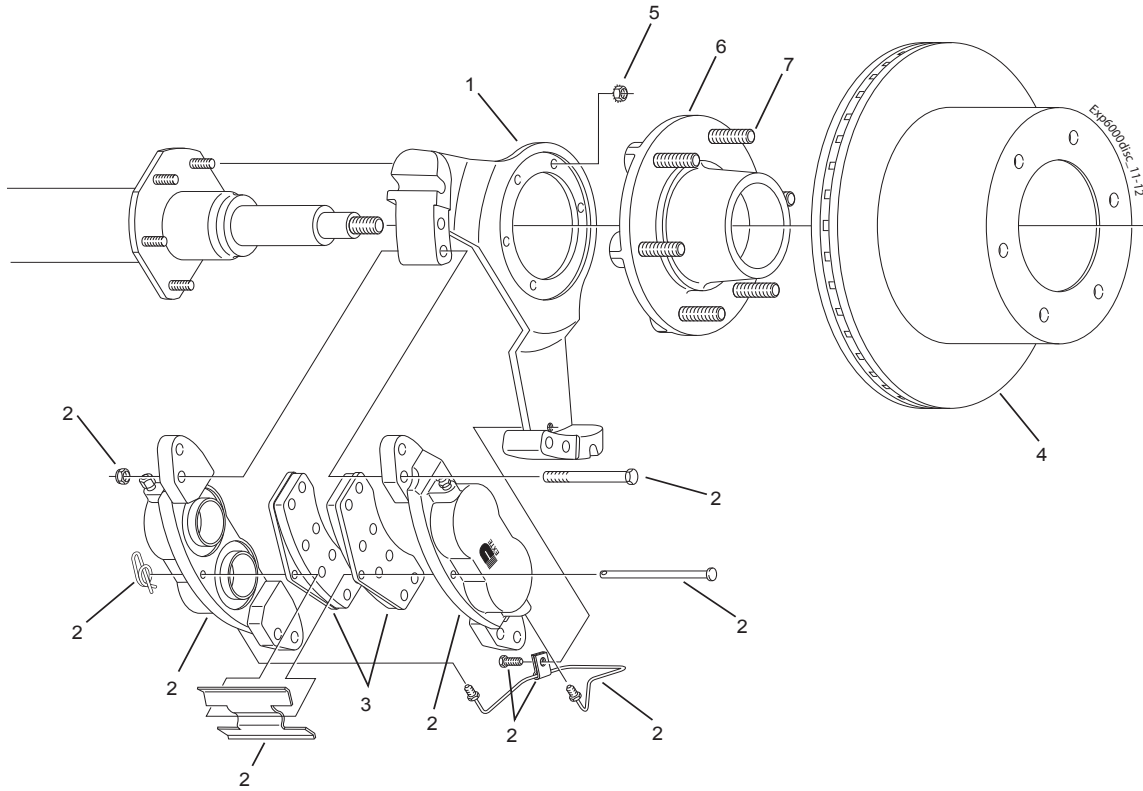
ns - not shown

* Not included with complete brake assembly. Item sold separately.

D52, D60 Disc Brake for 6,000 Lb. Axles



CSA approved at 6000#/14.3 SLR



Disc Brake 6000#

Item	Part No.	Qty/Brk	Description
1	090-005-01	1	LH Anchor Yoke
1	090-005-02	1	RH Anchor Yoke (shown)
2	K71-636-00	1	Caliper Assembly Kit for LH or RH Contains:
	4 006-045-00		Caliper Mounting Nut
	4 007-254-00		Caliper Mounting Bolt
	1 019-019-00		Cotter Ring
	1 027-060-00		Tube Clamp
	1 046-145-00		Anti-Rattle Spring
	1 054-092-00		Bleeder Screw
	1 054-094-00		Adapter Fitting
	1 056-038-00		Pad Retaining Pin
	1 071-513-00		Cross Over Hydraulic Line (yokes without notch)
	1 071-517-00		Cross Over Hydraulic Line (yokes with notch)
	1 087-002-00		Hex Bolt
	2 089-005-06		Assembled Caliper Half
3	K71-629-00	1	Brake Pad Kit (axle set)
4	K71-637-00	1	Rotor Kit
5	006-193-00	5	5/8" Brake Mounting Nut-Washer Assembly

Disc Brake Hubs & Studs

Item	Part No.	Qty/Brk	Description
6	008-403-05	1	Grease 1/2" Studs 6 on 5.50
7	007-262-00	6	1/2-20 x 2.70" Press-in Stud (hubs after 2/09)

Disc Brake 6000# With 42MM Nev-R-Lube®

Item	Part No.	Qty/Brk	Description
1	090-006-01	1	LH Anchor Yoke
1	090-006-02	1	RH Anchor Yoke
2	K71-636-00	1	Caliper Assembly Kit for LH or RH Contains:
	4 006-045-00		Caliper Mounting Nut
	4 007-254-00		Caliper Mounting Bolt
	1 019-019-00		Cotter Ring
	1 027-060-00		Tube Clamp
	1 046-145-00		Anti-Rattle Spring
	1 054-092-00		Bleeder Screw
	1 054-094-00		Adapter Fitting
	1 056-038-00		Pad Retaining Pin
	1 071-513-00		Cross Over Hydraulic Line (yokes without notch)
	1 071-517-00		Cross Over Hydraulic Line (yokes with notch)
	1 087-002-00		Hex Bolt
	2 089-005-06		Assembled Caliper Half
3	K71-629-00	1	Brake Pad Kit (axle set)
4	K71-637-00	1	Rotor Kit
5	006-193-00	5	5/8" Brake Mounting Nut-Washer Assembly

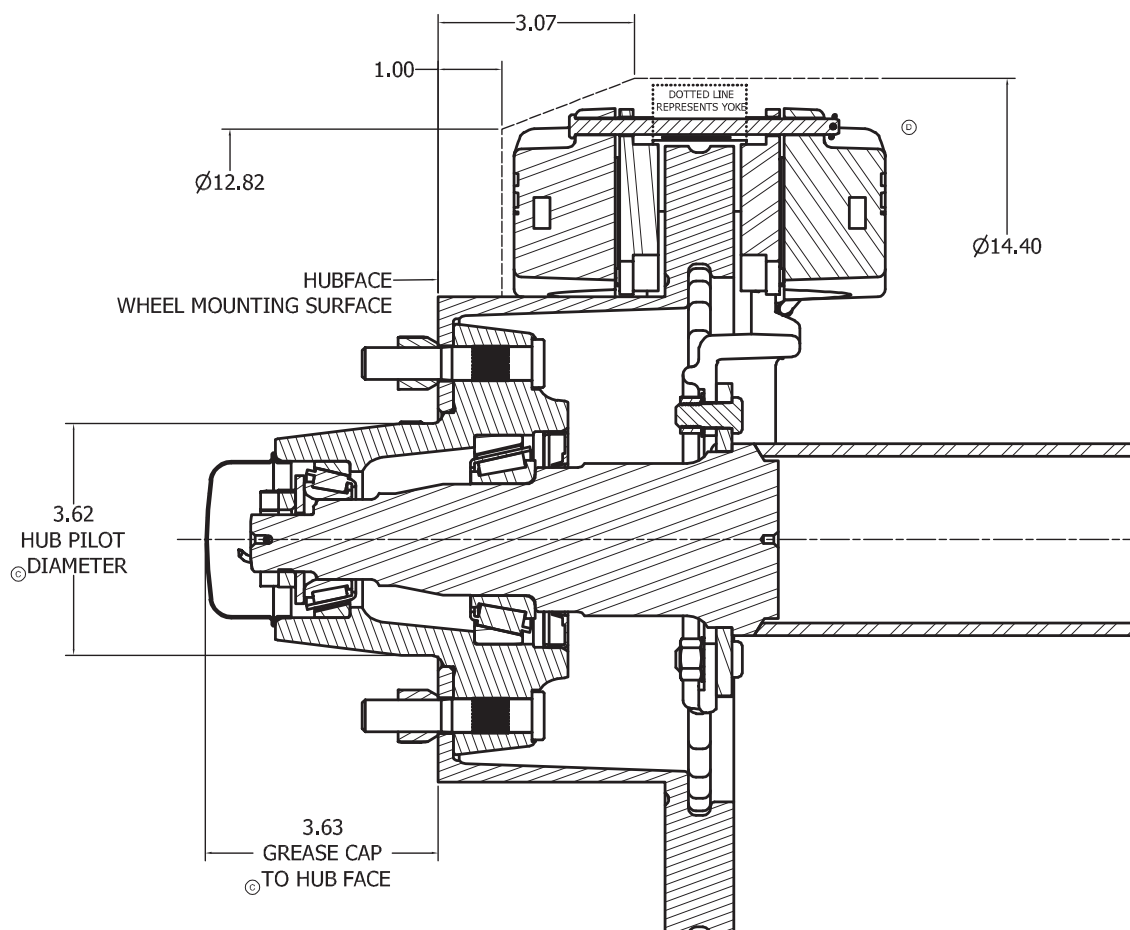
Nev-R-Lube® Disc Brake Hubs

Item	Part No.	Qty/Brk	Description
6	008-404-80	1	1/2" Studs, 42mm 6 on 5.50
7	007-262-00	6	1/2-20 x 2.70" Press-in Stud (hubs after 2/09)

Recommended Wheel Clearance for 6,000 Lb. Disc Brake



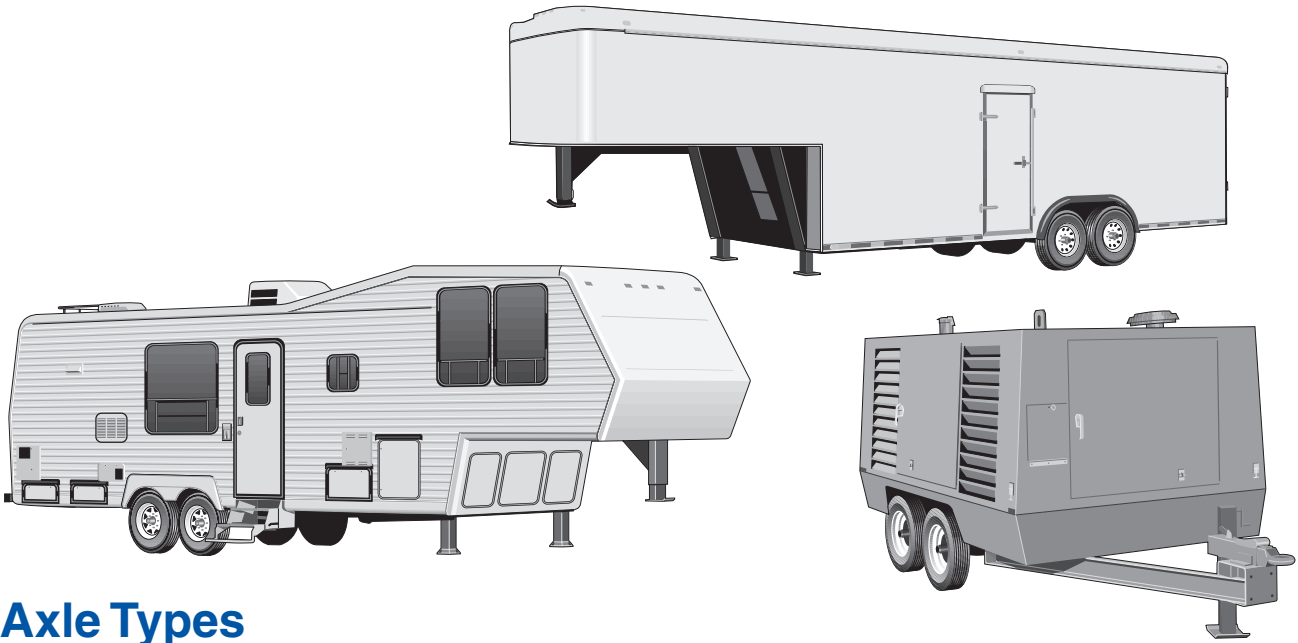
4100 - 6000 LBS. CAPACITY



CAUTION: The above hub/rotor profile shows the minimum clearance needed to insure that no part of the wheel makes contact with any brake component.

Make sure the wheel is in full contact with the hub face and does not drag against the brake caliper. If there is not full contact with the hub face, you may experience a dangerous wheel separation.

General Applications



Axle Types

5500-7000 Lbs. Capacity

- Complete service manual
- Precision machined, forged steel spindles
- Precision machined integral cast iron hub/drums
- 8-bolt and 5 bolt (UTG) hubs available
- Standard grease; optional oil bath; E-Z Lube® or Nev-R-Lube® option
- Press-in wheel studs (8-bolt)
- 12" x 2" electric brakes, CSA approved at 7000 lbs., 12" x 2" hydraulic brakes
- Brakes are available with and without parking feature
- Hydraulic free backing brakes available
- Hydraulic brakes - uni-servo and duo-servo available
- Optional hot dipped galvanized axle beam
- Optional GAL-DEX® coated cast iron hub



D60 & D70 LEAF SPRING



- High quality alloy steel springs in a variety of capacities
- Single, tandem, or triple axle assemblies with equalized suspensions
- Slipper spring or double eye leaf spring suspension
- Optional hanger and attaching parts kits available
- Durable, wear-resistant components
- Inner wiring system for easier installation and protection of brake wiring
- Heavy wall 3" diameter tube
- Straight or Drop spindles (4" drop only)
- Optional stainless steel wear sleeves for grease seal journal
- Available in drop center V-bend axle beam
- 5 year limited warranty

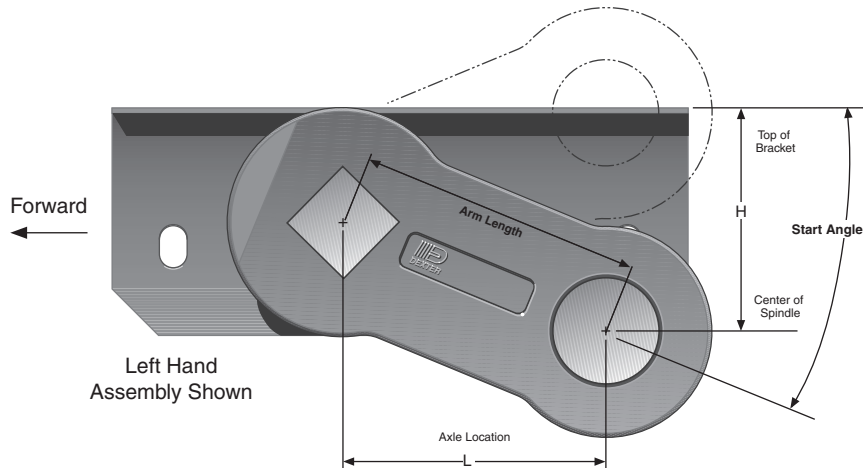
- Totally rubber-cushioned for smooth, quiet, independent ride
- Easy installation with less maintenance
- Less transfer of road shock which insulates cargo from road shocks and vibration
- Self-damping action
- Load-carrying cross member
- Rubber cords compounded for maximum dependability and durability
- Independent wheel suspension system
- 10 year limited warranty on Torflex® suspension system
- Low profile for maximum road clearance
- Various starting angles to control trailer height
- High and low profile brackets with optional mounting brackets are available
- Rubber cushioning eliminates metal-to-metal contact
- Shock absorption provided by the natural hysteresis of rubber
- Single or tandem axle assemblies
- Durable, wear-resistant components
- Optional stainless steel wear sleeves for grease seal journal
- Available in drop center V-bend axle beam

CAUTION: Triple axle assemblies are NOT recommended for #12 Torflex® axles, however the #12T Torflex® axle is designed for triple applications.



Articulation Dimensions

Dimensions are for top mount only. Side mount is .31" higher. Allow 3" bump clearance from full load.



Start Angle	Bracket Profile	No Load		Full Load		Shock Load	
		H	L	H	L	H	L
45° Down	Low	6.24	4.24	4.30	5.54	3.17	5.88
	High	6.99	4.24	5.05	5.54	3.92	5.88
32° Down	Low	5.18	5.09	2.99	5.92	1.82	6.00
	High	5.93	5.09	3.74	5.92	2.57	6.00
22.5° Down	Low	4.30	5.54	2.00	6.00	0.83	5.88
	High	5.05	5.54	2.75	6.00	1.58	5.88
10° Down	Low	3.04	5.91	0.70	5.86	-0.42	5.49
	High	3.79	5.91	1.45	5.86	0.33	5.49
0°	Low	2.00	6.00	-0.30	5.54	-1.33	4.99
	High	2.75	6.00	0.45	5.54	-0.58	4.99
10° Up	Low	0.96	5.91	-1.22	5.06	-2.15	4.33
	High	1.71	5.91	-0.47	5.06	-1.40	4.33
22.5° Up	Low	-0.30	5.54	-2.24	4.24	-2.99	3.33
	High	0.45	5.54	-1.49	4.24	-2.24	3.33

H = Height
L = Length

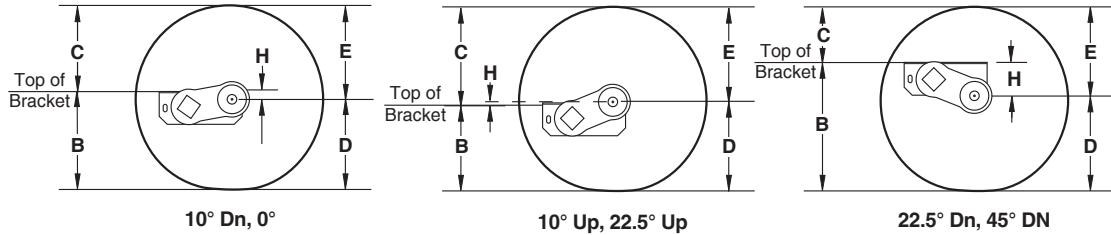
Note: Positive numbers in the H column indicate the spindle is BELOW the top of the bracket. Conversely, negative numbers are ABOVE the top of the bracket.

Torflex® Application Information



Full Load Dimensions

Dimensions are for low profile, top mount only. High profile brackets are .75" higher. Side mount is .31" higher. Allow 3" bump clearance from full load.



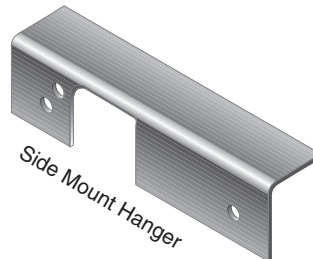
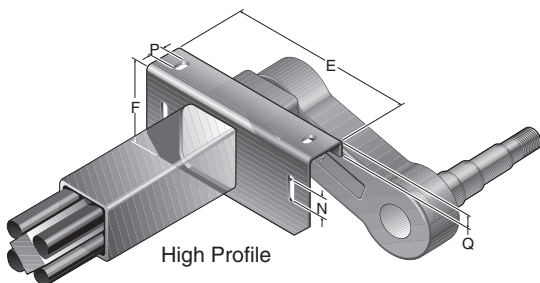
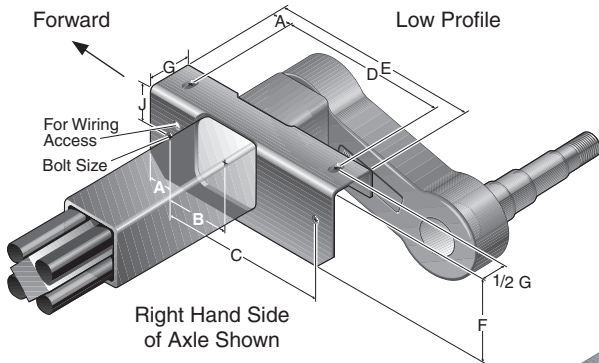
Start Angle

Tire	45° Down					32° Down					22.5° Down		
	D	E	H	B	C	D	E	H	B	C	H	B	C
LT235/85R16	14.3	15.4	4.3	18.6	11.1	14.3	15.4	3.0	17.3	12.4	2.0	16.3	13.4
7.50-16LT	14.9	16.7	4.3	19.2	12.4	14.9	16.7	3.0	17.9	13.7	2.0	16.9	14.7
9.50-16.5LT	14.1	15.2	4.3	18.4	10.9	14.1	15.2	3.0	17.1	12.2	2.0	16.1	13.2

Columns D and E are dimensional examples only:

- D – Static Loaded Radius
- E – Inflated Radius

Tire	10° Down			0°			10° Up			22.5° Up		
	H	B	C	H	B	C	H	B	C	H	B	C
LT235/85R16	0.7	15.0	14.7	-0.3	14.0	15.7	-1.2	13.1	16.6	-2.2	12.1	17.6
7.50-16LT	0.7	15.6	16.0	-0.3	14.6	17.0	-1.2	13.7	17.9	-2.2	12.7	18.9
9.50-16.5LT	0.7	14.8	14.5	-0.3	13.8	15.5	-1.2	12.9	16.4	-2.2	11.9	17.4



#12 Bracket Dimensions

	Low	High
A	1.25	1.25
B	3.50	3.50
C	9.50	9.50
D	9.00	9.00
E	12.00	12.00
F	4.37	5.12
G	2.50	2.50
J	2.06	2.06
N	----	1.03
P	----	1.00
Q	----	1.00
Bolt Size	5/8" bolt	
Tube Size	3.50	3.50

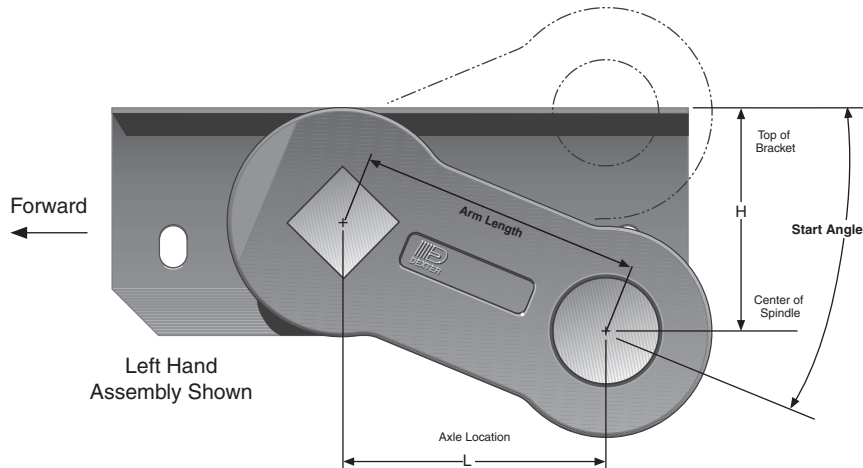
#12 Overhang Per Side

Spindle	Min.	Max.
Short	7.00"	15.20"
Standard	7.50"	15.20"



Articulation Dimensions

Dimensions are for top mount only. Side mount is .31" higher. Allow 3" bump clearance from full load.



Start Angle	Bracket Profile	No Load		Full Load		Shock Load	
		H	L	H	L	H	L
45° Down	Low	6.49	4.24	4.55	5.54	3.42	5.88
	High	7.18	4.24	5.24	5.54	4.11	5.88
32° Down	Low	5.43	5.09	3.24	5.92	2.07	6.00
	High	6.12	5.09	3.93	5.92	2.76	6.00
22.5° Down	Low	4.55	5.54	2.25	6.00	1.08	5.88
	High	5.24	5.54	2.94	6.00	1.77	5.88
10° Down	Low	3.29	5.91	0.95	5.86	-0.17	5.49
	High	3.98	5.91	1.64	5.86	0.52	5.49
0°	Low	2.25	6.00	-0.05	5.54	-1.08	4.99
	High	2.94	6.00	0.64	5.54	-0.39	4.99
10° Up	Low	1.21	5.91	-0.97	5.06	-1.90	4.33
	High	1.90	5.91	-0.28	5.06	-1.21	4.33
22.5° Up	Low	-0.05	5.54	-1.99	4.24	-2.74	3.33
	High	0.64	5.54	-1.30	4.24	-2.05	3.33

H = Height
L = Length

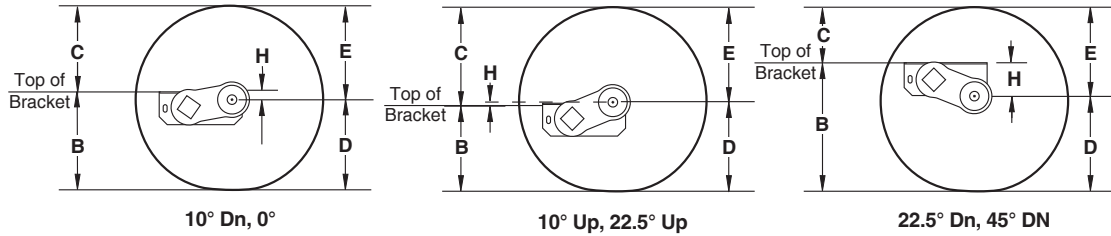
Note: Positive numbers in the H column indicate the spindle is BELOW the top of the bracket. Conversely, negative numbers are ABOVE the top of the bracket.

Torflex® Application Information



Full Load Dimensions

Dimensions are for low profile, top mount only. High profile brackets are .75" higher. Side mount is .31" higher. Allow 3" bump clearance from full load.

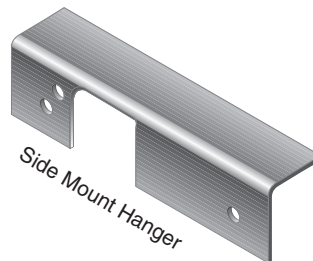
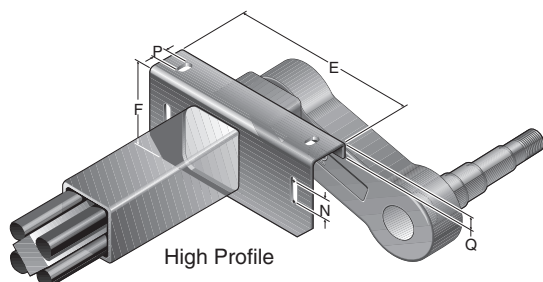
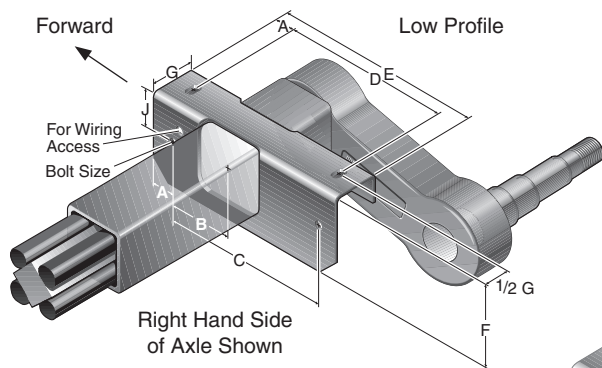


Start Angle

Tire	45° Down					32° Down					22.5° Down		
	D	E	H	B	C	D	E	H	B	C	H	B	C
10R17.5HC	15.6	18.0	4.6	20.2	13.4	15.6	18.0	3.2	18.8	14.8	2.3	17.9	15.7
215/75R17.5	14.0	15.3	4.6	18.6	10.7	14.0	15.3	3.2	17.2	12.1	2.3	16.3	13.0
12-16.5LT	14.9	15.8	4.6	19.5	11.2	14.9	15.8	3.2	18.1	12.6	2.3	17.2	13.5
9.50-16.5LT	14.1	15.2	4.6	18.7	10.6	14.1	15.2	3.2	17.3	12.0	2.3	16.4	12.9
9R17.5HC	15.4	17.1	4.6	20.0	12.5	15.4	17.1	3.2	18.6	13.9	2.3	17.7	14.8

Columns D and E are dimensional examples only:
 D – Static Loaded Radius
 E – Inflated Radius

Tire	10° Down			0°			10° Up			22.5° Up		
	H	B	C	H	B	C	H	B	C	H	B	C
10R17.5HC	1.0	16.6	17.0	-0.1	15.5	18.1	-1.0	14.6	19.0	-2.0	13.6	20.0
215/75R17.5	1.0	15.0	14.3	-0.1	13.9	15.4	-1.0	13.0	16.3	-2.0	12.0	17.3
12-16.5LT	1.0	15.9	14.8	-0.1	14.8	15.9	-1.0	13.9	16.8	-2.0	12.9	17.8
9.50-16.5LT	1.0	15.1	14.2	-0.1	14.0	15.3	-1.0	13.1	16.2	-2.0	12.1	17.2
9R17.5HC	1.0	16.4	16.1	-0.1	15.3	17.2	-1.0	14.4	18.1	-2.0	13.4	19.1



#12T Bracket Dimensions

	Low	High
A	1.22	1.22
B	3.63	3.63
C	10.56	10.56
D	10.56	10.56
E	13.00	13.00
F	4.81	5.50
G	2.50	2.50
J	2.25	2.25
L	7.26	7.26
P	----	1.00
Q	----	1.00
Bolt Size	5/8" bolt	
Tube Size	3.88	3.88

#12T Overhang Per Side

Spindle	Min.	Max.
Short	7.00"	15.20"
Standard	7.50"	15.20"

Leaf Spring Application Information



5500 - 7000 LBS. CAPACITY

Double Eye Springs

For Standard 33" Axle Spacing
 Single A/P-122-00
 Tandem A/P-233-00
 Triple A/P-335-00

Spring Length

	21"	24"	26"
A	19.62	23.50	25.75
B	25.00	27.50	29.50
C	28.75	31.00	33.00
D	10.62	12.00	13.00
E	28.75	31.00	33.00

For Optional 35" Axle Spacing
 Tandem A/P-264-00
 Triple A/P-364-00

Spring Length

	21"	24"	26"
B	26.00	28.50	30.50
C	30.80	33.00	35.00
D	10.62	12.00	13.00
E	30.80	33.00	35.00

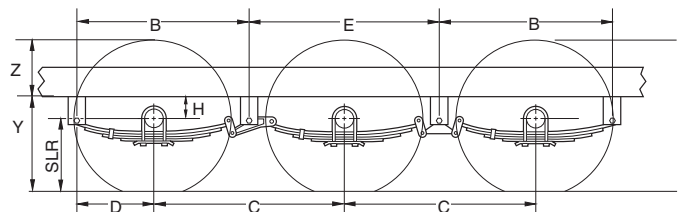
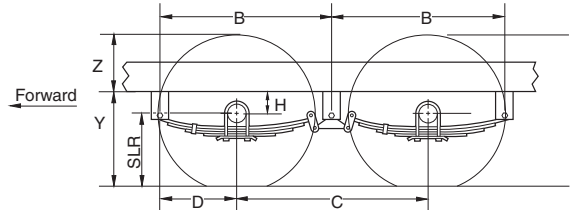
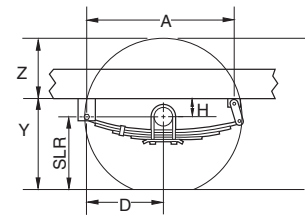
D60 Overhang Per Side

	Min.	Disc*	Max.
Straight	6.63"	9.00"	10.00"
4" Drop	7.87"	N/A	9.50"
Nev-R-Lube®	6.19"	9.00"	10.00"

* Minimum overhang with disc brakes

D70 Overhang Per Side

	Min.	Max.
Straight	6.63"	9.00"
4" Drop	7.87"	9.00"
Nev-R-Lube®	6.37"	9.00"
Disc	8.00"	9.00"



Double Eye Axle Assemblies

Hanger Kits

Part No.	Description	Height	Quantity Per Kit				
			HGR-104-00	HGR-105-00	HGR-248-00	HGR-249-00	HGR-348-00
028-005-00	Hanger	3.25"	2	----	4	2	4
028-006-00	Front Hanger	1.44"	----	2	----	----	----
029-008-00	Front Hanger	2.06"	----	----	----	4	----
029-031-00	Center Hanger	3.62"	----	----	2	----	4
030-020-00	Rear Hanger	.91"	2	2	----	----	----

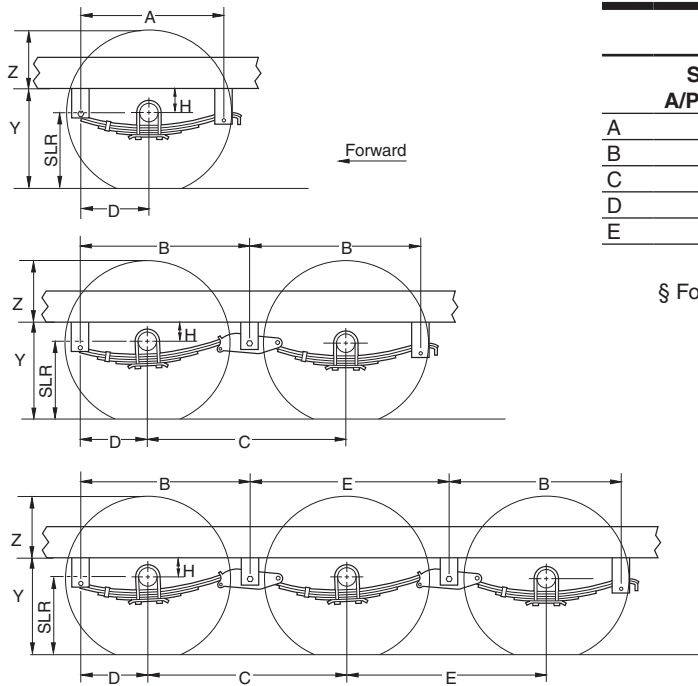
Attaching Parts Kits

Part No.	Description	A/P-122-00	A/P-233-00	A/P-264-00†	A/P-335-00	A/P-364-00†
006-092-01	Flange Locknut	6	14	14	22	22
007-126-00	Shackle Bolt	2	6	6	10	10
013-104-02	Equalizer	----	2	----	2	----
013-105-02	Equalizer	----	----	----	2	----
013-122-02	Equalizer	----	----	2	----	2
013-126-02	Equalizer	----	----	----	----	2
018-011-00	Shackle Link	----	4	4	6	6
018-012-00	Shackle Link, Long	2	----	----	----	----
018-020-00	Shackle Link Assembly	----	4	4	6	6
018-021-00	Shackle Link Assembly, Long	2	----	----	----	----

† For 35" axle spacing using 26" springs

Note: Common A/P kits are available in marine grade coating.

Leaf Spring Application Information



Slipper Springs

	Single	Tandem		Triple	
	A/P-103-00	A/P-202-00 [§]	A/P-216-00 [‡]	A/P-302-00 [§]	A/P-316-00 [‡]
A	24.0	----	----	----	----
B	----	28.8	30.4	28.8	30.4
C	----	33.5	36.0	33.5	36.0
D	11.5	11.5	11.5	11.5	11.5
E	----	----	----	33.0	35.0

Note: All 2" wide slipper springs
[§] For 33.5" axle spacing [‡] For 36" axle spacing

A, B, E – Hanger Spacing
 C – Axle Spacing
 D – Axle Location
 H – Center of Spindle
 Y – Frame Height
 Z – Top of Tire to Bottom of Frame
 SLR – Static Load Radius

To determine these values, contact your local sales engineer or distributor to run ProSpec™.

Slipper Spring Axle Assemblies

Hanger Kits

Part No.	Description	Height	Quantity Per Kit		
			HGR-110-00	HGR-202-00	HGR-302-00
028-001-00	Front Hanger	4.25"	2	2	2
029-001-00	Center Hanger	3.50"	----	2	4
030-028-00	Rear Hanger	4.00"	2	2	2

Attaching Parts Kits

Part No.	Description	A/P-103-00	A/P-202-00 [§]	A/P-216-00 [‡]	A/P-302-00 [§]	A/P-316-00 [‡]
006-007-01	1/4"-18 Locknut	2	4	4	6	6
006-011-00	Keeper Nut	2	4	4	6	6
006-111-00	Equalizer Nut	----	2	2	4	4
007-001-01	Equalizer Bolt	----	2	2	4	4
007-007-00	Keeper Bolt	2	4	4	6	6
007-017-00	Spring Eye Bolt	2	4	4	6	6
013-004-00	Equalizer	----	2	----	4	----
013-044-01	Equalizer	----	----	2	----	4

[§] For 33.5" axle spacing

[‡] For 36" axle spacing

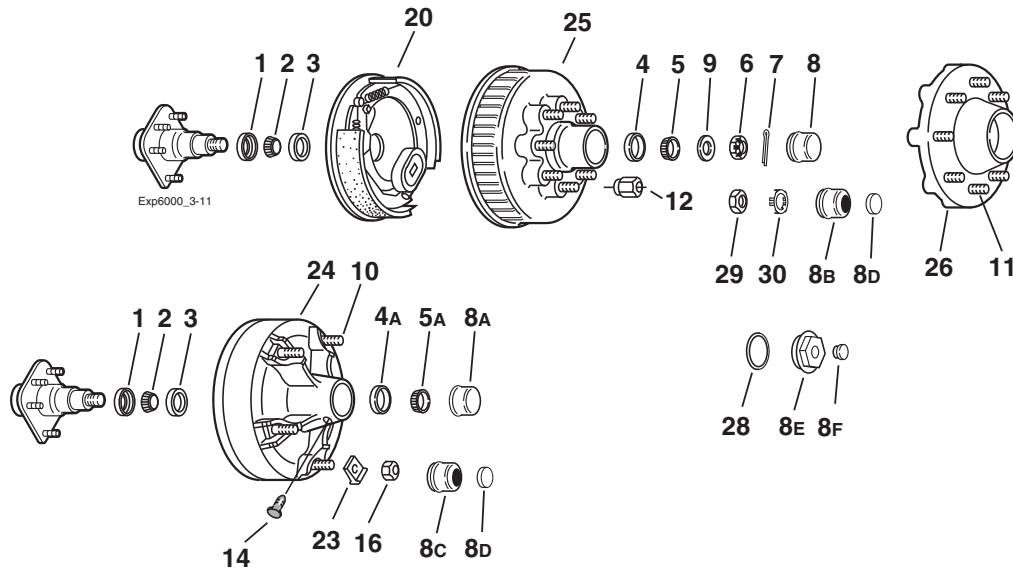
Note: Common A/P kits are available in marine grade coating.

Some combinations of hangers and spring mountings may result in insufficient bump clearance. Refer to the Miscellaneous section for additional hanger kits, A/P kits, or other tires.

865 and Demountable Hub Group



5500 - 7000 LBS. CAPACITY



Grease Lube Parts

Item	Part No.	Description
1	010-036-00	E-Z Lube® Seal 2.25"
2	031-030-02	25580 Inner Bearing Cone
3	031-030-01	25520 Inner Bearing Cup
4	031-017-01	14276 Outer Bearing Cup - 865 Hub
4A	031-029-01	15245 Outer Bearing Cup - Demountable
5	031-017-02	14125A Outer Bearing Cone - 865 Hub
5A	031-029-02	15123 Outer Bearing Cone - Demountable
6	006-176-00	Spindle Nut
7	019-002-00	Cotter Pin (not used with E-Z Lube®)
8	021-039-00	Grease Cap - 865 Hub
8A	021-001-00	Grease Cap - Demountable
8B	021-043-01	Grease Cap for E-Z Lube® - 865 Hub
8B	021-043-02	Grease Cap E-Z Lube® Chrome Option - 865 Hub
8C	021-042-01	Grease Cap for E-Z Lube® - Demountable
8C	021-042-02	Grease Cap for E-Z Lube® Chrome Option - Dem.
8D	085-001-00	E-Z Lube® Rubber Plug
9	005-057-00	Spindle Washer
16	006-005-00	1/16-18 Nut for Rim Clamp
23	015-002-00	Rim Clamp
29	006-191-00	Special Jam Nut for E-Z Lube® (after 2002)
30	006-190-00	Spindle Nut Retainer for E-Z Lube® (after 2002)

Oil Lube Parts

Item	Part No.	Description
1	010-063-00	Oil Seal 2.25"
2	031-030-02	25580 Inner Bearing cone
3	031-030-01	25520 Inner Bearing Cup
4	031-017-01	14276 Outer Bearing Cup - 865 Hub
4	031-029-01	15245 Outer Bearing Cup - Demountable
5	031-029-02	15123 Outer Bearing Cone
5	031-017-02	14125A Outer Bearing Cone
6	006-176-00	Spindle Nut
7	019-002-00	Cotter Pin
8E	021-035-00	Oil Cap - 865 Hub
ns	021-040-00	Oil Cap - Demountable
8F	046-032-00	Oil Cap Plug
9	005-057-00	Spindle Washer
14	046-052-00	Oil Filler Plug - 865 and Demountable
ns	046-032-00	Oil Cap Plug
16	006-005-00	1/16-18 Nut for Rim Clamp
23	015-002-00	Rim Clamp
28	010-045-00	865 'O' Ring
ns	010-059-00	Demountable 'O' Ring

Note: Spindle is not available for resale.

ns - not shown

6 on 5.5 hubs are available on these axles.
See section in 4100-6000 lbs. capacity.

Hubs

Item	Part No.	Description	Bolt Circle
Hubs/Drums			
24	008-174-05	Grease 1/16" Stud	Demountable
24	008-174-06	Oil 1/16" Stud	Demountable
25	008-219-04	Grease 1/2" Stud	8 on 6.50
25	008-219-04	Grease 1/2" Stud GAL-DEX® coated	8 on 6.50
25	008-219-13	Grease 9/16" Stud	8 on 6.50
25	008-219-18	Grease 5/8" Stud	8 on 6.50
25	008-219-09	Oil 1/2" Stud	8 on 6.50
25	008-219-20	Oil 1/16" Stud	8 on 6.50
25	008-219-26	Oil 5/8" Stud	8 on 6.50
Plain Hubs			
26	008-231-09	Grease 1/2" Stud	8 on 6.50
26	008-231-09	Grease 1/2" Stud GAL-DEX® coated	8 on 6.50
26	008-231-18	Grease 9/16" Stud	8 on 6.50
26	008-231-20	Grease 5/8" Stud	8 on 6.50
26	008-231-16	Oil 1/2" Stud	8 on 6.50

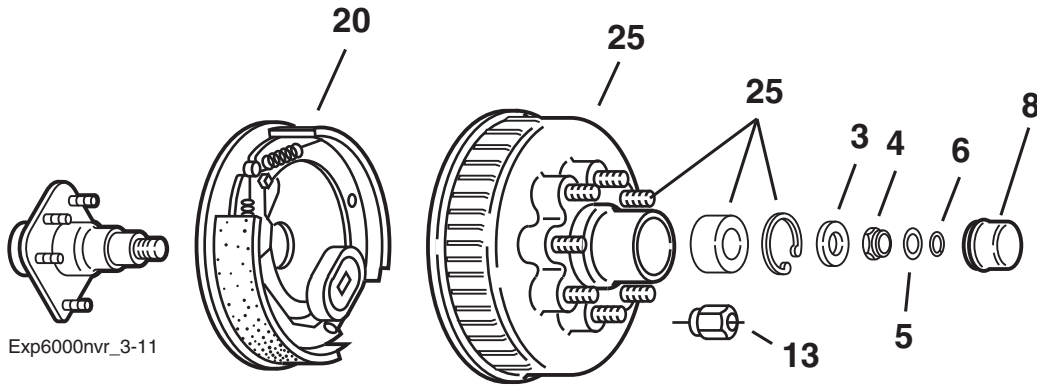
Brakes

Item	Part No.	Description
20	K23-105-00/K23-106-00	LH/RH Electric 6K CSA
ns	K23-112-00/K23-113-00	LH/RH Electric w/park 6K CSA
ns	K23-180-00/K23-181-00	LH/RH Electric 7K
ns	K23-338-00/K23-339-00	LH/RH Hydraulic Uni-servo 7K
ns	K23-334-00/K23-335-00	LH/RH Hydraulic Uni-servo 7K w/park
ns	K23-336-00/K23-337-00	LH/RH Hydraulic Duo-servo 7K
ns	K23-332-00/K23-333-00	LH/RH Hydraulic Duo-servo 7K w/park
ns	K23-342-00/K23-343-00	LH/RH Hydraulic Uni-servo 7K FB
ns	K23-340-00/K23-341-00	LH/RH Hydraulic Uni-servo 7K FB w/park
ns	K23-342-01/K23-343-01	LH/RH Hydraulic Uni-servo 7K FB
ns	K23-340-01/K23-341-01	LH/RH Hydraulic Uni-servo 7K FB w/park
ns	K23-458-00/K23-459-00	LH/RH Electric Nev-R-Adjust®

Studs & Wheel Nuts

Item	Part No.	Description
10	025-011-00	1/16-18 Stud - UTG
11	007-122-00	1/2-20 x 1.84 Long Press-in Stud* (hubs before 1/04)
11	007-262-00	1/2-20 x 2.70 Long Press-in Stud* (hubs after 1/04)
12	006-080-00	1/2-20 60° Cone Nut
ns	007-132-00	1/16-18 Press-in Stud
ns	006-053-00	1/16-18 60° Cone Nut
ns	007-232-00	5/8-18 Press-in Stud
ns	006-109-00	5/8-18 90° Cone Nut

* Stud length measured under head to end of stud.



Nev-R-Lube® Parts

Item	Part No.	Description
ns	005-147-01	Spindle Washer, 42mm
3	005-149-00	Spindle Washer, 50mm
4	006-183-00	Spindle Nut
5	092-002-00	Washer, Torque Label
6	069-096-00	Snap Ring
ns	021-085-00	Grease Cap, 42mm
8	021-086-00	Grease Cap, 50mm

12" x 2" Brakes

Item	Part No.	Description
20	K23-105-00/K23-106-00	LH/RH Electric
ns	K23-180-00/K23-181-00	LH/RH Electric 7K
ns	K23-338-00/K23-339-00	LH/RH Hydraulic Uni-servo, 7K
ns	K23-334-00/K23-335-00	LH/RH Hydraulic Uni-servo w/park, 7K
ns	K23-336-00/K23-337-00	LH/RH Hydraulic Duo-servo, 7K
ns	K23-332-00/K23-333-00	LH/RH Hydraulic Duo-servo w/park, 7K
ns	K23-342-00/K23-343-00	LH/RH Hydraulic Free Backing, 7K
ns	K23-340-00/K23-341-00	LH/RH Hydraulic 7K FB w/park
ns	K23-326-00/K23-327-00	LH/RH Electric 6K CSA
ns	K23-458-00/K23-459-00	LH/RH Electric Nev-R-Adjust®
ns	K23-466-00/K23-467-00	LH/RH Electric 6K CSA Nev-R-Adjust®

ns - not shown

Note: Spindle is not available for resale.

Hubs With Bearing and Wheel Studs

Item	Part No.	Description	Bolt Circle
ns	008-388-80	Hub and Drum includes: 007-122-00 1/2-20 Press-in Studs 031-073-03 42mm Bearing Cartridge 069-095-00 Bearing Retainer	6 on 5.50
25	008-385-82	Hub and Drum includes: 007-122-00 1/2-20 Press-in Studs 031-071-03 50mm Bearing Cartridge 069-093-00 Bearing Retainer	8 on 6.50
ns	008-385-81	Hub and Drum includes: 007-223-00 5/16-18 Press-in Studs 031-071-03 50mm Bearing Cartridge 069-093-00 Bearing Retainer	8 on 6.50
ns	008-385-80	Hub and Drum includes: 007-224-00 5/16-18 Press-in Studs 031-071-03 50mm Bearing Cartridge 069-093-00 Bearing Retainer	8 on 6.50

Wheel Nuts

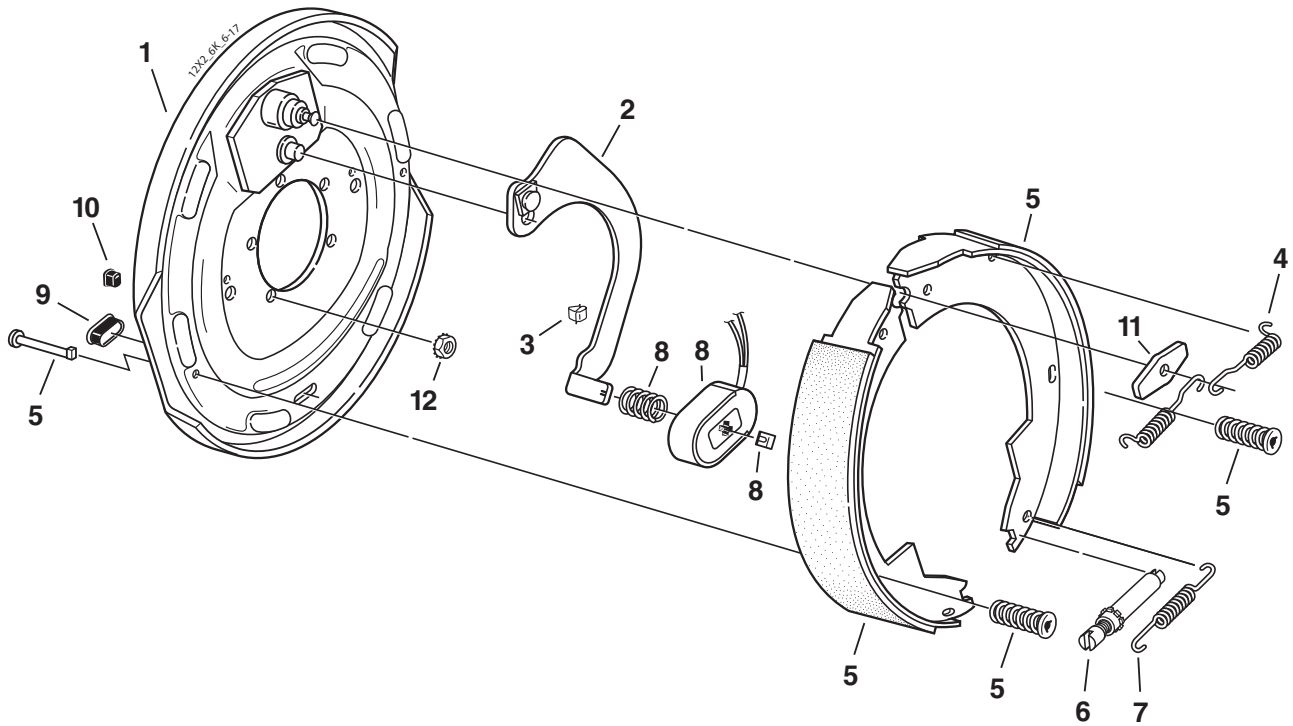
Item	Part No.	Description
13	006-080-00	1/2-20 60° Cone Nut
ns	006-053-00	5/16-18 60° Cone Nut
ns	006-109-00	5/16-18 90° Cone Nut

12" x 2" 6K Electric Brake



CSA approved at 6000#/14.2 SLR

5500 - 7000 LBS. CAPACITY



Electric Brake 6000# (CSA 6000#)

Item	Part No.	Qty/Brk	Description
0	K23-105-00	1	LH Complete Brake Assembly
0	K23-106-00	1	RH Complete Brake Assembly (shown)
1	036-089-10	1	Backing Plate Assembly
2	047-107-05	1	LH Actuating Lever Arm Assembly
2	047-108-05	1	RH Actuating Lever Arm Assembly
3	027-005-00	2	Wire Clip
4	046-009-00	2	Retractor Spring
5	K71-127-00	1	Shoe & Lining Kit Contains: 1 #040-215-00 Primary Shoe & Lining 1 #040-216-00 Secondary Shoe & Lining 2 #049-011-00 Shoe Hold Down Pin #2 2 #046-077-00 Shoe Hold Down Spring & Cup
6	043-004-00	1	Adjuster Assembly
7	046-018-00	1	Adjusting Screw Spring
8	K71-105-00	1	Magnet Kit Contains: 1 #042-149-00 Magnet (white wire) 1 #027-009-00 Magnet Clip 1 #046-080-00 Magnet Spring (before 7/16) 1 #046-175-00 Magnet Spring (after 7/16)
9	046-007-00	2	Adjuster Slot Plug
10	046-016-00	1	Wire Grommet
11	005-067-00	1	Anchor Post Washer
*12	006-193-00	5	Nut Washer Assembly

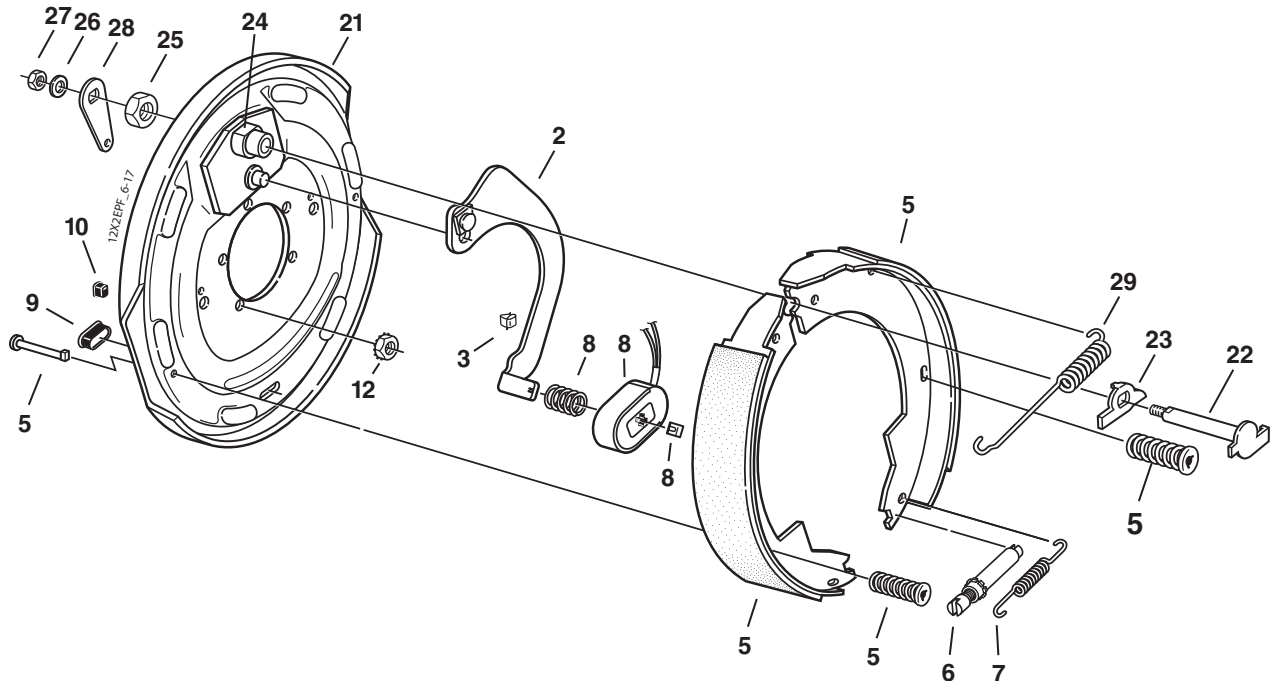
* Not included with complete brake assembly. Item sold separately.

These brakes are rated to a maximum capacity of 6000 lbs. / pair

12" x 2" 6K Electric Brake With Parking Feature



CSA approved at 6000#/14.2 SLR



Electric Parking Brake 6000# (CSA 6000#)

Item	Part No.	Qty/Brk	Description
0	K23-112-00	1	LH Complete Brake Assembly
0	K23-113-00	1	RH Complete Brake Assembly (shown)
2	047-107-05	1	LH Actuating Lever Arm Assembly
2	047-108-05	1	RH Actuating Lever Arm Assembly
3	027-005-00	2	Wire Clip
5	K71-127-00	1	Shoe & Lining Kit Contains: 1 #040-215-00 Primary Shoe & Lining 1 #040-216-00 Secondary Shoe & Lining 2 #049-011-00 Shoe Hold Down Pin #2 2 #046-077-00 Shoe Hold Down Spring & Cup
6	043-004-00	1	Adjuster Assembly
7	046-018-00	1	Adjusting Screw Spring
8	K71-105-00	1	Magnet Kit Contains: 1 #042-149-00 Magnet (white wire) 1 #027-009-00 Magnet Clip 1 #046-080-00 Magnet Spring (before 7/16) 1 #046-175-00 Magnet Spring (after 7/16)
9	046-007-00	2	Adjuster Slot Plug
10	046-016-00	1	Wire Grommet
*12	006-193-00	5	Nut Washer Assembly
20	036-089-08	1	LH Backing Plate Assembly Complete (includes #21-28)
20	036-089-09	1	RH Backing Plate Assembly Complete (includes #21-28)
21	036-089-06	1	LH Backing Plate Assembly
21	036-089-07	1	RH Backing Plate Assembly
22	039-025-00	1	LH Pivot Pin & Cam Sub-Assembly
22	039-026-00	1	RH Pivot Pin & Cam Sub-Assembly
23	039-048-00	1	LH Actuating Cam
23	039-049-00	1	RH Actuating Cam
24	038-068-00	1	Anchor Post & Bushing Sub-Assembly
25	006-047-00	1	Anchor Post Locknut
26	005-041-00	1	Washer
27	006-011-00	1	Pivot Pin Locknut
28	047-070-00	1	Parking Brake Lever
29	046-005-00	1	Retractor Spring

* Not included with complete brake assembly. Item sold separately.

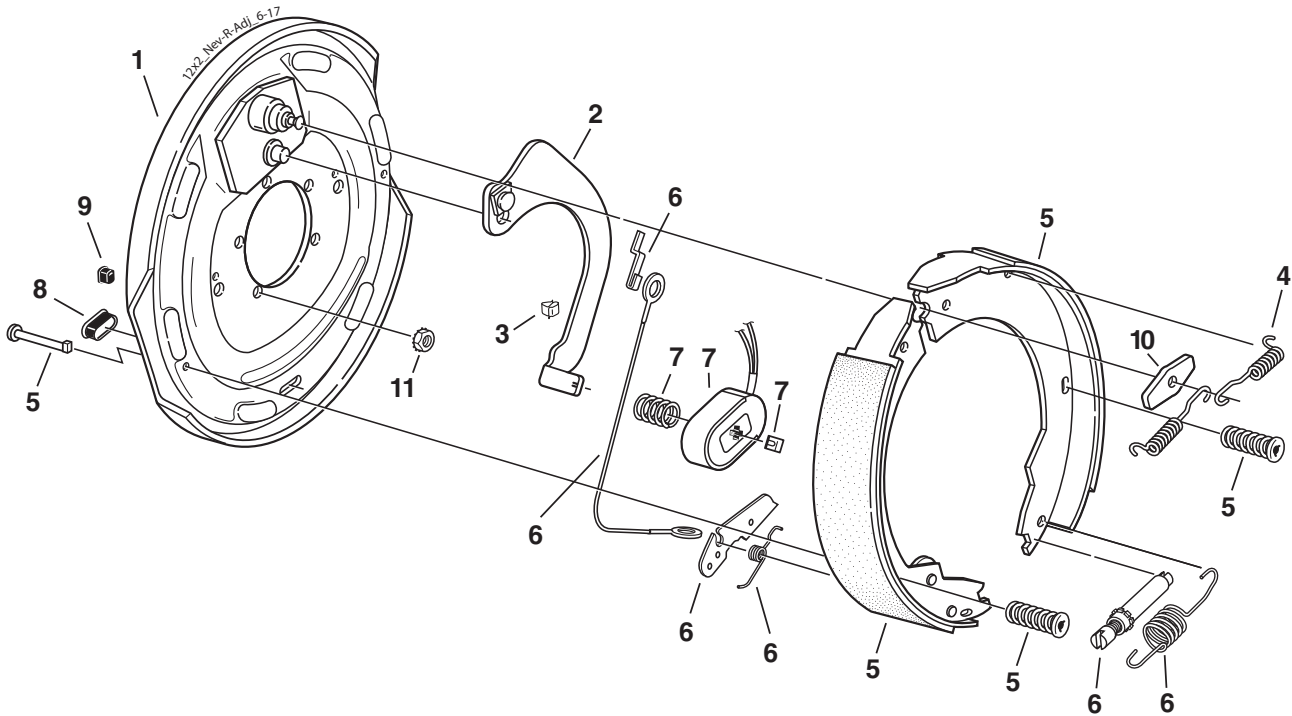
These brakes are rated to a maximum capacity of 6000 lbs. / pair

12" x 2" 6K Nev-R-Adjust® Electric Brake



CSA approved at 6000#/14.2 SLR

5500 - 7000 LBS. CAPACITY



Electric Brake 6000# (CSA 6000#)

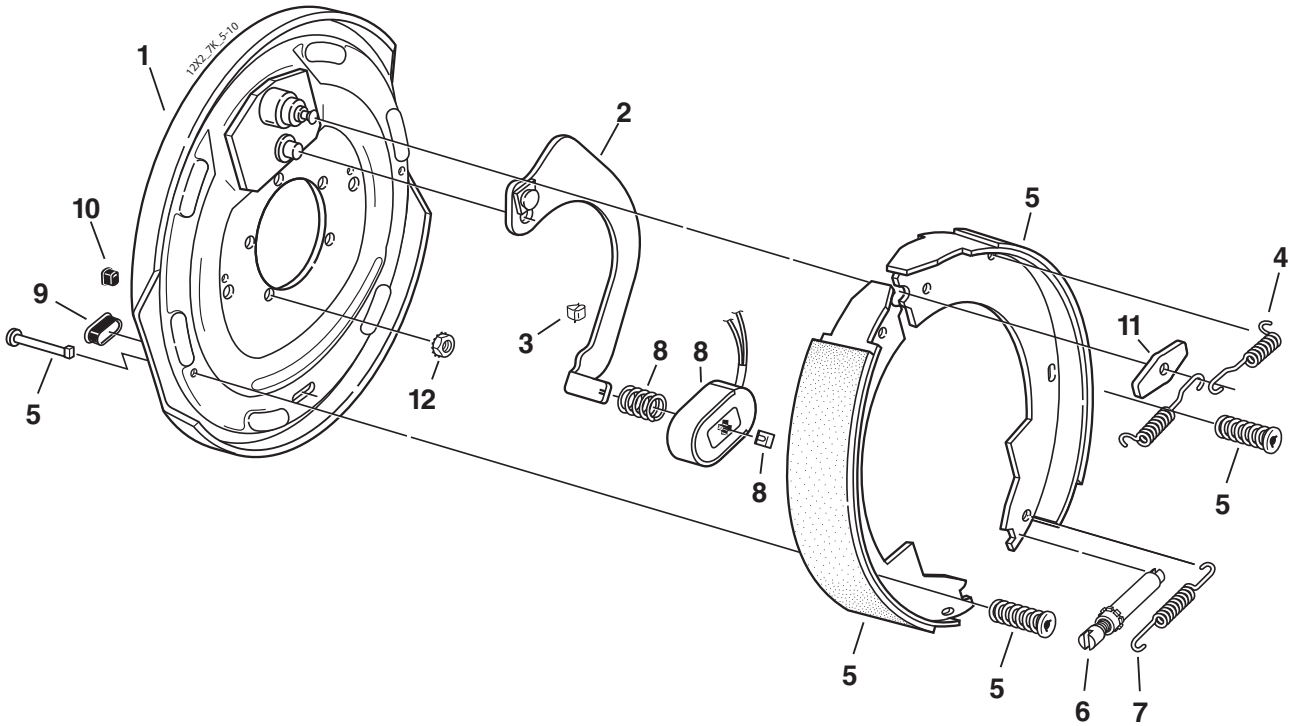
Item	Part No.	Qty/Brk	Description
0	K23-458-00	1	LH Complete Brake Assembly
0	K23-459-00	1	RH Complete Brake Assembly (shown)
1	036-089-10	1	Backing Plate Assembly
2	047-107-05	1	LH Actuating Lever Arm Assembly
2	047-108-05	1	RH Actuating Lever Arm Assembly
3	027-005-00	2	Wire Clip
4	046-009-00	2	Retractor Spring
5	K71-675-00	1	LH Shoe & Lining Kit Contains: 1 #040-215-00 Primary Shoe & Lining 1 #040-216-01 Secondary Shoe & Lining 2 #049-011-00 Shoe Hold Down Pin #2 2 #046-077-00 Shoe Hold Down Spring & Cup
5	K71-676-00	1	RH Shoe & Lining Kit Contains: 1 #040-215-00 Primary Shoe & Lining 1 #040-216-02 Secondary Shoe & Lining 2 #049-011-00 Shoe Hold Down Pin #2 2 #046-077-00 Shoe Hold Down Spring & Cup
6	K71-679-00	1	LH & RH Brake Adjuster Kit Contains: 2 #046-139-00 Adjusting Screw Spring 1 #046-140-00 LH Lever Spring 1 #046-141-00 RH Lever Spring 1 #048-022-00 LH Adjuster Assembly 1 #048-023-00 RH Adjuster Assembly 2 #071-528-00 Adjuster Cable 2 #071-529-00 Hook for Cable 1 #071-530-01 LH Adjusting Lever 1 #071-530-02 RH Adjusting Lever
7	K71-105-00	1	Magnet Kit Contains: 1 #042-149-00 Magnet (white wire) 1 #027-009-00 Magnet Clip 1 #046-080-00 Magnet Spring (before 7/16) 1 #046-175-00 Magnet Spring (after 7/16)
8	046-007-00	2	Adjuster Slot Plug
9	046-016-00	1	Wire Grommet
10	005-067-00	1	Anchor Post Washer
*11	006-193-00	5	Nut Washer Assembly

* Not included with complete brake assembly. Item sold separately.

12" x 2" 7K Electric Brake



CSA approved at 7000#/13.8 SLR



Electric Brake 7000#

Item	Part No.	Qty/Brk	Description
0	K23-180-00	1	LH Complete Brake Assembly
0	K23-181-00	1	RH Complete Brake Assembly (shown)
1	036-089-10	1	Backing Plate Assembly
2	047-107-05	1	LH Actuating Lever Arm Assembly
2	047-108-05	1	RH Actuating Lever Arm Assembly
3	027-005-00	2	Wire Clip
4	046-009-00	2	Retractor Spring
5	K71-127-00	1	Shoe & Lining Kit Contains: 1 #040-215-00 Primary Shoe & Lining 1 #040-216-00 Secondary Shoe & Lining 2 #049-011-00 Shoe Hold Down Pin #2 2 #046-077-00 Shoe Hold Down Spring & Cup
6	043-004-00	1	Adjuster Assembly
7	046-018-00	1	Adjusting Screw Spring
8	K71-125-00	1	Magnet Kit Contains: 1 #042-143-00 Magnet (black wire) 1 #027-009-00 Magnet Clip 1 #046-080-00 Magnet Spring (before 7/16) 1 #046-175-00 Magnet Spring (after 7/16)
9	046-007-00	2	Adjuster Slot Plug
10	046-016-00	1	Wire Grommet
11	005-067-00	1	Anchor Post Washer
*12	006-193-00	5	Nut Washer Assembly

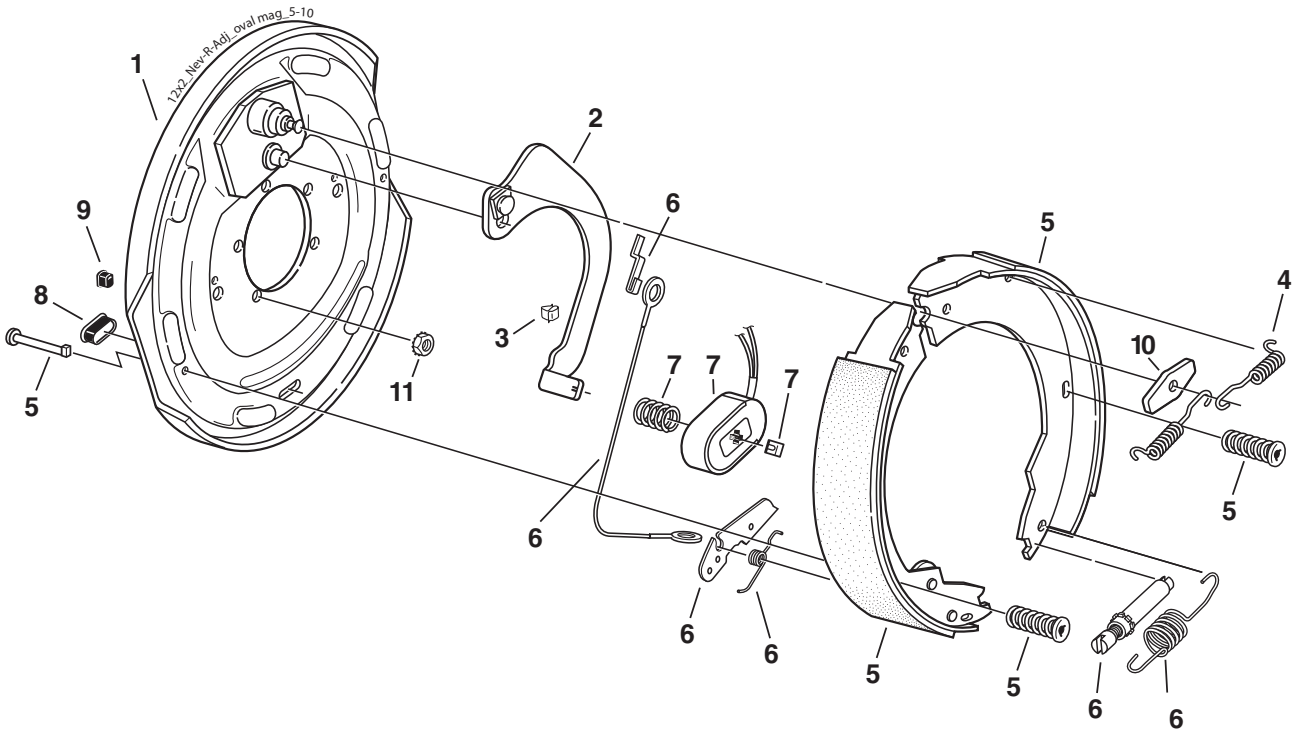
* Not included with complete brake assembly. Item sold separately.

12" x 2" 7K Nev-R-Adjust® Electric Brake



CSA approved at 7000#/13.8 SLR

5500 - 7000 LBS. CAPACITY

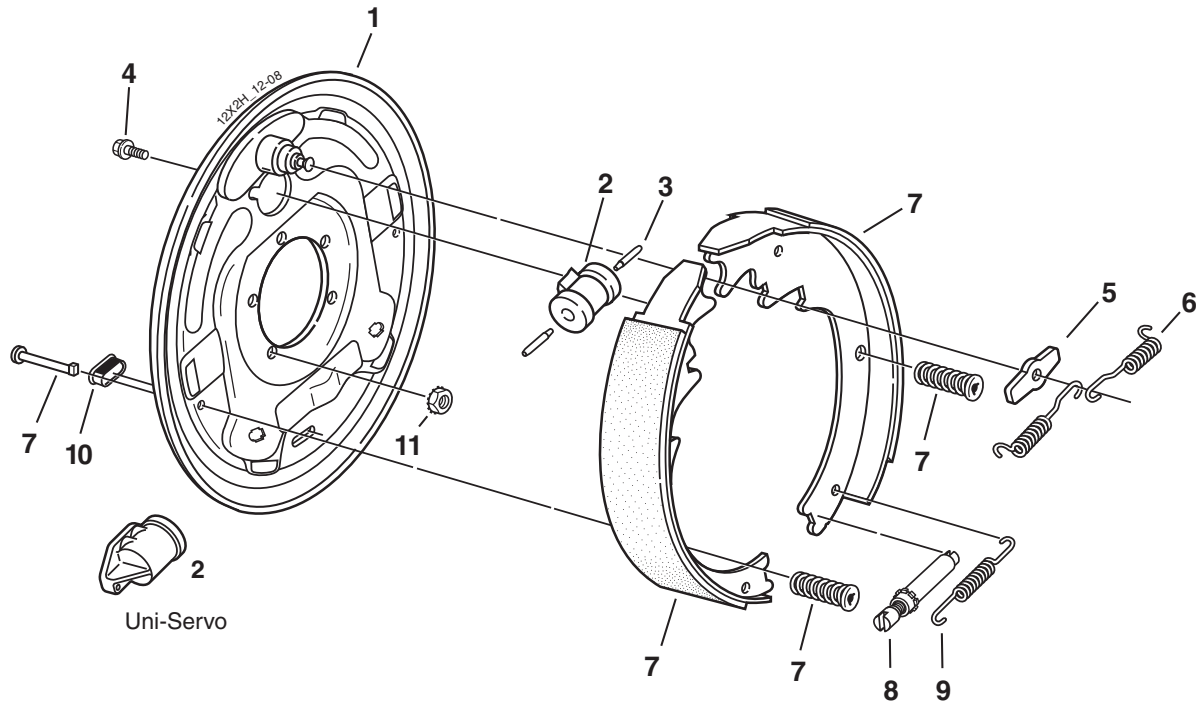


Electric Brake 7000#

Item	Part No.	Qty/Brk	Description
0	K23-464-00	1	LH Complete Brake Assembly
0	K23-465-00	1	RH Complete Brake Assembly (shown)
1	036-089-10	1	Backing Plate Assembly
2	047-107-05	1	LH Actuating Lever Arm Assembly
2	047-108-05	1	RH Actuating Lever Arm Assembly
3	027-005-00	2	Wire Clip
4	046-009-00	2	Retractor Spring
5	K71-675-00	1	LH Shoe & Lining Kit Contains: 1 #040-215-00 Primary Shoe & Lining 1 #040-216-01 Secondary Shoe & Lining 2 #049-011-00 Shoe Hold Down Pin #2 2 #046-077-00 Shoe Hold Down Spring & Cup
5	K71-676-00	1	RH Shoe & Lining Kit Contains: 1 #040-215-00 Primary Shoe & Lining 1 #040-216-02 Secondary Shoe & Lining 2 #049-011-00 Shoe Hold Down Pin #2 2 #046-077-00 Shoe Hold Down Spring & Cup
6	K71-679-00	1	LH & RH Brake Adjuster Kit Contains: 2 #046-139-00 Adjusting Screw Spring 1 #046-140-00 LH Lever Spring 1 #046-141-00 RH Lever Spring 1 #048-022-00 LH Adjuster Assembly 1 #048-023-00 RH Adjuster Assembly 2 #071-528-00 Adjuster Cable 2 #071-529-00 Hook for Cable 1 #071-530-01 LH Adjusting Lever 1 #071-530-02 RH Adjusting Lever
7	K71-125-00	1	Magnet Kit Contains: 1 #042-143-00 Magnet (black wire) 1 #027-009-00 Magnet Clip 1 #046-080-00 Magnet Spring (before 7/16) 1 #046-175-00 Magnet Spring (after 7/16)
8	046-007-00	2	Adjuster Slot Plug
9	046-016-00	1	Wire Grommet
10	005-067-00	1	Anchor Post Washer
*11	006-193-00	5	Nut Washer Assembly

* Not included with complete brake assembly. Item sold separately.

12" x 2" 7K Hydraulic Brake



Note: Uni-Servo brakes to be used with surge actuator

Hydraulic Brake 7000#

Item	Part No.	Qty/Brk	Description
0	K23-338-00	1	LH Complete Brake Assembly-US
0	K23-339-00	1	RH Complete Brake Assembly-US (shown)
0	K23-336-00	1	LH Complete Brake Assembly-DS
0	K23-337-00	1	RH Complete Brake Assembly-DS (shown)
1	036-093-08	1	Backing Plate Assembly
2	054-064-00	1	LH Brake Cylinder Uni-Servo
2	054-065-00	1	RH Brake Cylinder Uni-Servo
2	054-062-00	1	LH Brake Cylinder Duo-Servo
2	054-063-00	1	RH Brake Cylinder Duo-Servo
3	054-060-00	1 or 2	Cylinder Push Rod US (1) DS (2)
4	087-001-00	2	Sems (screw & washer assembly)
5	005-113-00	1	Anchor Post Washer
6	046-101-00	2	Retractor Spring
7	K71-269-00	1	LH Shoe & Lining Kit Contains: 1 #040-219-00 LH Primary Shoe & Lining 1 #040-218-02 LH Secondary Shoe & Lining 2 #046-077-00 Shoe Hold Down Spring & Cup 2 #049-012-00 Shoe Hold Down Pin #4
7	K71-270-00	1	RH Shoe & Lining Kit Contains: 1 #040-219-00 RH Primary Shoe & Lining 1 #040-218-01 RH Secondary Shoe & Lining 2 #046-077-00 Shoe Hold Down Spring & Cup 2 #049-012-00 Shoe Hold Down Pin #4
8	043-029-00	1	Adjuster Assembly
9	046-102-00	1	Adjusting Screw Spring
10	046-007-00	1	Adjuster Slot Plug
*11	006-193-00	5	Nut Washer Assembly
ns	054-089-00	1	Bleeder Screw (included with item #2)

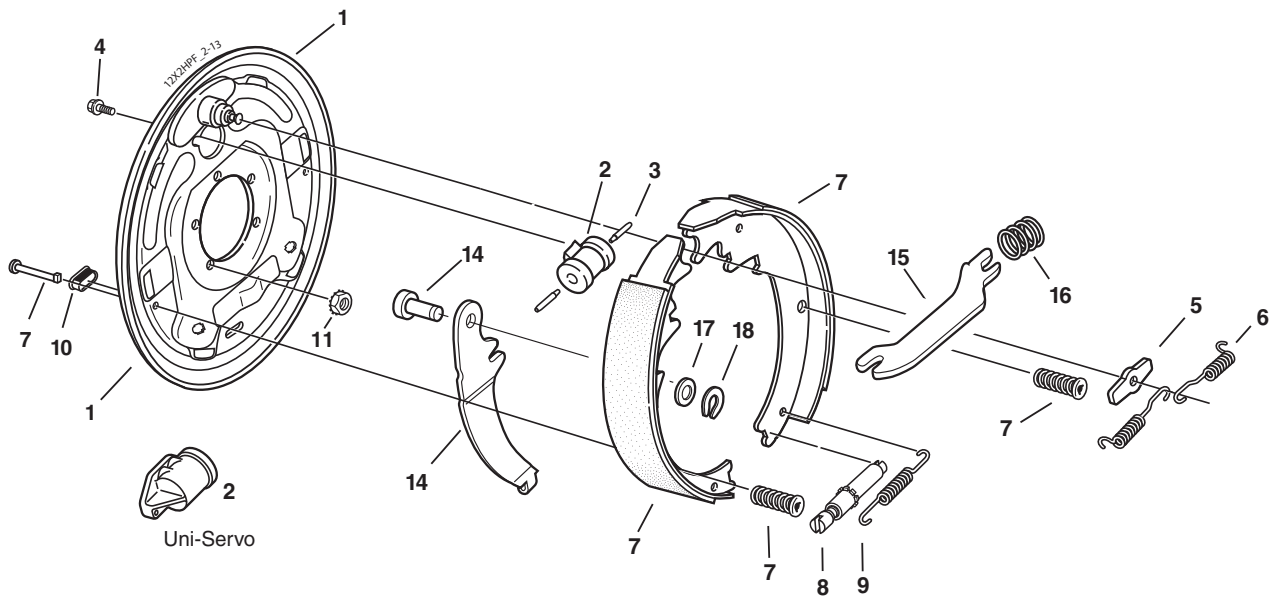
ns - not shown

* Not included with complete brake assembly. Item sold separately.

12" x 2" 7K Hydraulic Brake With Parking Feature



5500 - 7000 LBS. CAPACITY



Note: Uni-Servo brakes to be used with surge actuator

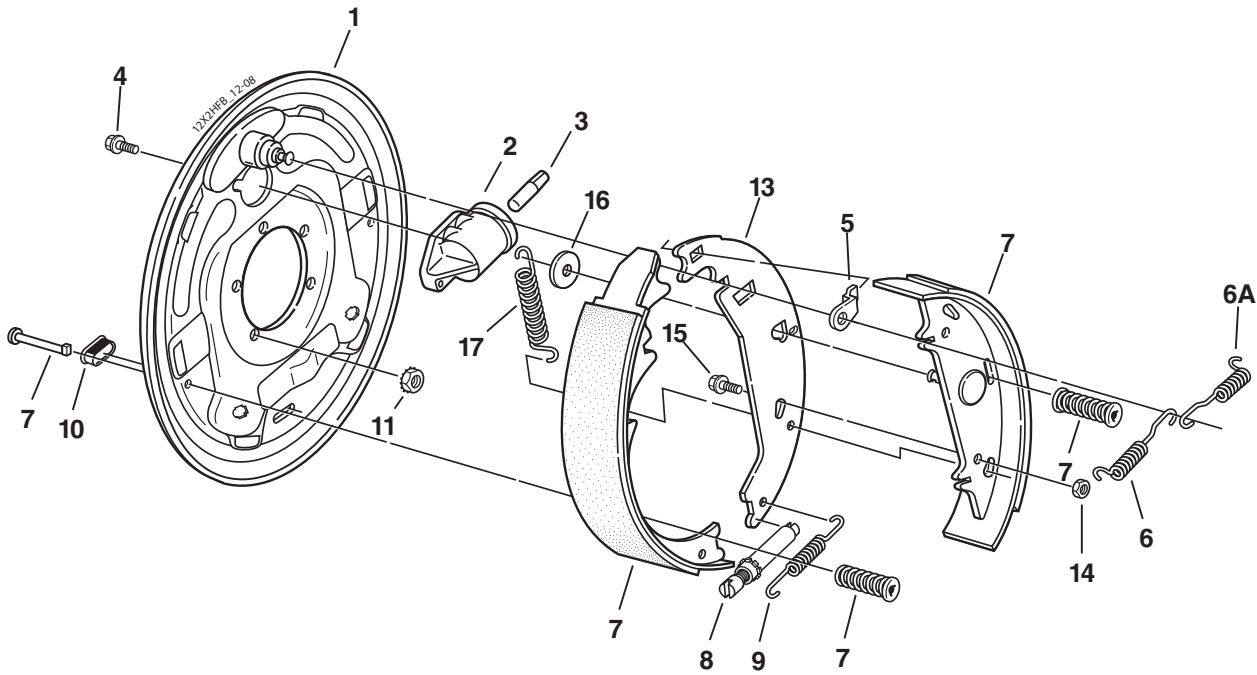
Hydraulic Parking Brake 7000#

Item	Part No.	Qty/Brk	Description
0	K23-332-00	1	LH Complete Brake Assembly-DS
0	K23-333-00	1	RH Complete Brake Assembly-DS (shown)
0	K23-334-00	1	LH Complete Brake Assembly-US
0	K23-335-00	1	RH Complete Brake Assembly-US (shown)
1	036-093-15	1	LH Backing Plate Assembly
1	036-093-16	1	RH Backing Plate Assembly
2	054-062-00	1	LH Brake Cylinder Duo-Servo
2	054-063-00	1	RH Brake Cylinder Duo-Servo
2	054-064-00	1	LH Brake Cylinder Uni-Servo
2	054-065-00	1	RH Brake Cylinder Uni-Servo
3	054-060-00	1 or 2	Cylinder Push Rod US (1) DS (2)
4	087-001-00	2	Sems (screw & washer assembly)
5	005-113-00	1	Anchor Post Washer
6	046-101-00	2	Retractor Spring
7	K71-269-00	1	LH Shoe & Lining Kit Contains: 1 #040-219-00 Primary Shoe & Lining 1 #040-218-02 Secondary Shoe & Lining 2 #046-077-00 Shoe Hold Down Spring & Cup 2 #049-012-00 Shoe Hold Down Pin #4
7	K71-270-00	1	RH Shoe & Lining Kit Contains: 1 #040-219-00 Primary Shoe & Lining 1 #040-218-01 Secondary Shoe & Lining 2 #046-077-00 Shoe Hold Down Spring & Cup 2 #049-012-00 Shoe Hold Down Pin #4
8	043-029-00	1	Adjuster Assembly
9	046-102-00	1	Adjusting Screw Spring
10	046-007-00	1	Adjuster Slot Plug
*11	006-193-00	5	Nut Washer Assembly
14	047-110-01	1	LH Parking Lever and Pin
14	047-111-01	1	RH parking Lever and Pin
15	047-109-00	1	Parking Strut
16	046-103-00	1	Parking Strut Spring
17	005-112-00	1	Spring Tension Washer
18	069-055-00	1	Retainer
ns	054-089-00	1	Bleeder Screw (included with item #2)
*ns	071-515-00	1	Park Brake Cable

ns - not shown

* Not included with complete brake assembly. Item sold separately.

12" x 2" 7K Hydraulic Brake Free Backing



Note: Uni-Servo brakes to be used with surge actuator

Hydraulic Free Backing Brake

Item	Part No.	Qty/Brk	Description
0	K23-342-00	1	LH Complete Brake Assembly
0	K23-343-00	1	RH Complete Brake Assembly (shown)
1	036-093-08	1	Backing Plate Assembly
2	054-064-00	1	LH Brake Cylinder Uni-Servo
2	054-065-00	1	RH Brake Cylinder Uni-Servo
3	054-060-00	1	Cylinder Push Rod
4	087-001-00	2	Sems (screw & washer assembly)
5	037-069-02	1	Travel Link
6	046-101-00	1	Retractor Spring
6A	046-107-01	1	Shoe Lever Return Spring
7	K71-394-00	1	LH Shoe & Lining Kit Contains:
	1 #040-243-08		LH Primary Shoe & Lining
	1 #040-315-02		LH Secondary Shoe & Lining
	1 #046-077-00		Shoe Hold Down Spring & Cup-Sec.
	2 #035-001-00		Shoe Hold Down Cup-Primary
	1 #046-006-00		Shoe Hold Down Spring-Primary
	1 #049-013-00		Shoe Hold Down Pin #1-Primary
	1 #049-002-00		Shoe Hold Down Pin #8-Sec.
7	K71-395-00	1	RH Shoe & Lining Kit Contains:
	1 #040-243-09		RH Primary Shoe & Lining
	1 #040-315-01		RH Secondary Shoe & Lining
	1 #046-077-00		Shoe Hold Down Spring & Cup-Sec.
	2 #035-001-00		Shoe Hold Down Cup-Primary
	1 #046-006-00		Shoe Hold Down Spring-Primary
	1 #049-013-00		Shoe Hold Down Pin #1-Primary
	1 #049-002-00		Shoe Hold Down Pin #8-Sec.
8	043-028-00	1	Adjuster Assembly
9	046-123-00	1	Adjusting Screw Spring
10	046-007-00	1	Adjuster Slot Plug
*11	006-193-00	5	Nut Washer Assembly
13	040-244-01	1	Shoe Lever
14	006-011-00	1	Locknut
15	007-210-00	1	Screw
16	005-064-00	1	Washer
17	046-108-01	1	Primary Shoe Return Spring
ns	054-089-00	1	Bleeder Screw (included with item #2)

ns - not shown

* Not included with complete brake assembly. Item sold separately.

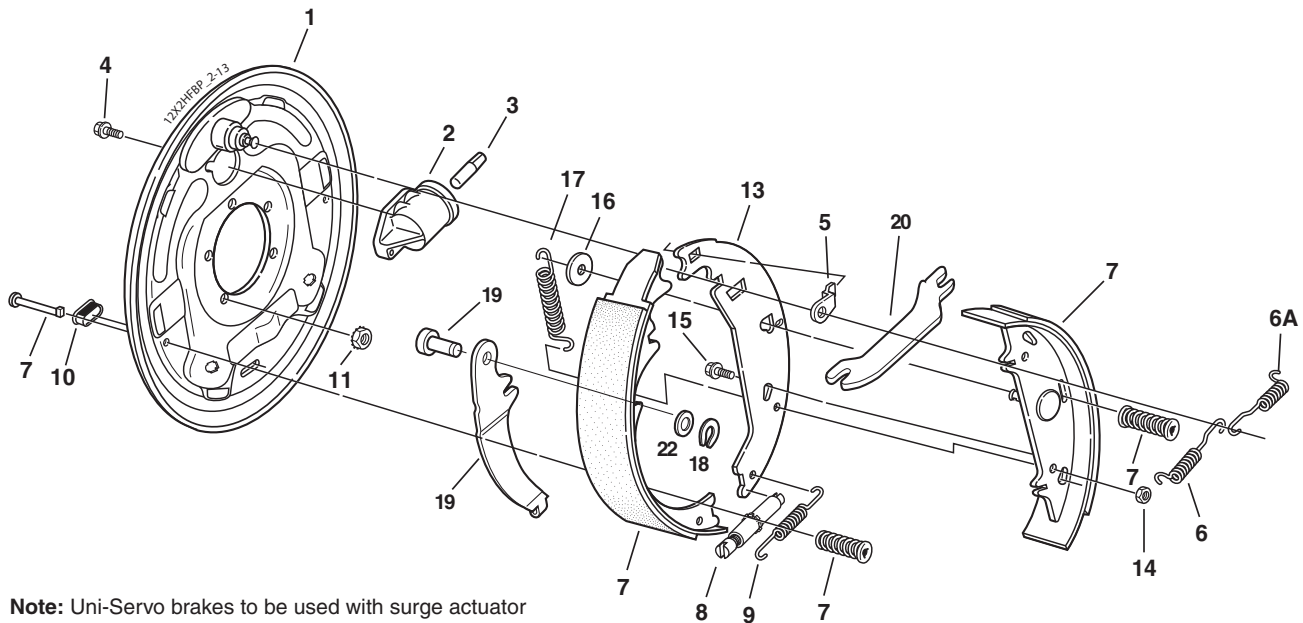
Hydraulic Free Backing Brake Corrosion Resistant

Item	Part No.	Qty/Brk	Description
0	K23-342-01	1	LH Complete Brake Assembly
0	K23-343-01	1	RH Complete Brake Assembly
1	036-093-09	1	Backing Plate Assembly
2	054-064-01	1	LH Brake Cylinder Uni-Servo
2	054-065-01	1	RH Brake Cylinder Uni-Servo
3	054-060-00	1	Cylinder Push Rod
4	087-001-00	2	Sems (screw & washer assembly)
5	037-069-02	1	Travel Link
6	046-101-00	1	Retractor Spring
6A	046-107-03	1	Shoe Lever Return Spring
7	K71-427-00	1	LH Shoe & Lining Kit Contains:
	1 #040-243-06		LH Primary Shoe & Lining
	1 #040-315-06		LH Secondary Shoe & Lining
	1 #046-077-01		Shoe Hold Down Spring & Cup-Sec.
	2 #035-001-00		Shoe Hold Down Cup-Primary
	1 #046-006-01		Shoe Hold Down Spring & Cup-Prim.
	1 #049-013-00		Shoe Hold Down Pin #1-Primary
	1 #049-002-00		Shoe Hold Down Pin #8-Sec.
7	K71-428-00	1	RH Shoe & Lining Kit Contains:
	1 #040-243-07		RH Primary Shoe & Lining
	1 #040-315-05		RH Secondary Shoe & Lining
	1 #046-077-01		Shoe Hold Down Spring & Cup-Sec.
	2 #035-001-00		Shoe Hold Down Cup-Primary
	1 #046-006-01		Shoe Hold Down Spring & Cup-Prim.
	1 #049-013-00		Shoe Hold Down Pin #1-Primary
	1 #049-002-00		Shoe Hold Down Pin #8-Sec.
8	043-028-00	1	Adjuster Assembly
9	046-123-01	1	Adjusting Screw Spring
10	046-007-00	1	Adjuster Slot Plug
*11	006-193-00	5	Nut Washer Assembly
13	040-244-02	1	Shoe Lever
14	006-011-00	1	Locknut
15	007-210-00	1	Screw
16	005-064-00	1	Washer
17	046-108-03	1	Primary Shoe Return Spring
ns	054-089-00	1	Bleeder Screw (included with item #2)

12" x 2" 7K Hydraulic Brake Free Backing With Parking Feature



5500 - 7000 LBS. CAPACITY



Note: Uni-Servo brakes to be used with surge actuator

Hydraulic Free Backing Parking Brake

Item	Part No.	Qty/Brk	Description
0	K23-340-00	1	LH Complete Brake Assembly
0	K23-341-00	1	RH Complete Brake Assembly (shown)
1	036-093-15	1	LH Backing Plate Assembly
1	036-093-16	1	RH Backing Plate Assembly
2	054-064-00	1	LH Brake Cylinder Uni-Servo
2	054-065-00	1	RH Brake Cylinder Uni-Servo
3	054-060-00	1	Cylinder Push Rod
4	087-001-00	2	Sems (screw & washer assembly)
5	037-069-02	1	Travel Link
6	046-101-00	1	Retractor Spring
6A	046-107-01	1	Shoe Lever Return Spring
7	K71-394-00	1	LH Shoe & Lining Kit Contains: 1 #040-243-08 LH Primary Shoe & Lining 1 #040-315-02 LH Secondary Shoe & Lining 1 #046-077-00 Shoe Hold Down Spring & Cup-Sec. 2 #035-001-00 Shoe Hold Down Cup-Primary 1 #046-006-00 Shoe Hold Down Spring-Primary 1 #049-013-00 Shoe Hold Down Pin #1-Primary 1 #049-002-00 Shoe Hold Down Pin #8-Sec.
7	K71-395-00	1	RH Shoe & Lining Kit Contains: 1 #040-243-09 RH Primary Shoe & Lining 1 #040-315-01 RH Secondary Shoe & Lining 1 #046-077-00 Shoe Hold Down Spring & Cup-Sec. 2 #035-001-00 Shoe Hold Down Cup-Primary 1 #046-006-00 Shoe Hold Down Spring-Primary 1 #049-013-00 Shoe Hold Down Pin #1-Primary 1 #049-002-00 Shoe Hold Down Pin #8-Sec.
8	043-028-00	1	Adjuster Assembly
9	046-123-00	1	Adjusting Screw Spring
10	046-007-00	1	Adjuster Slot Plug
*11	006-193-00	5	Nut Washer Assembly
13	040-244-01	1	Shoe Lever
14	006-011-00	1	Locknut
15	007-210-00	1	Screw
16	005-064-00	1	Washer
17	046-108-01	1	Primary Shoe Return Spring
18	069-055-00	1	Retainer
19	047-110-01	1	LH Parking Lever and Pin
19	047-111-01	1	RH Parking Lever and Pin
20	047-119-01	1	Strut for Parking Brake
22	005-112-00	1	Washer
ns	054-089-00	1	Bleeder Screw (included with item #2)
*ns	071-515-00	1	Park Brake Cable

ns - not shown

* Not included with complete brake assembly. Item sold separately.

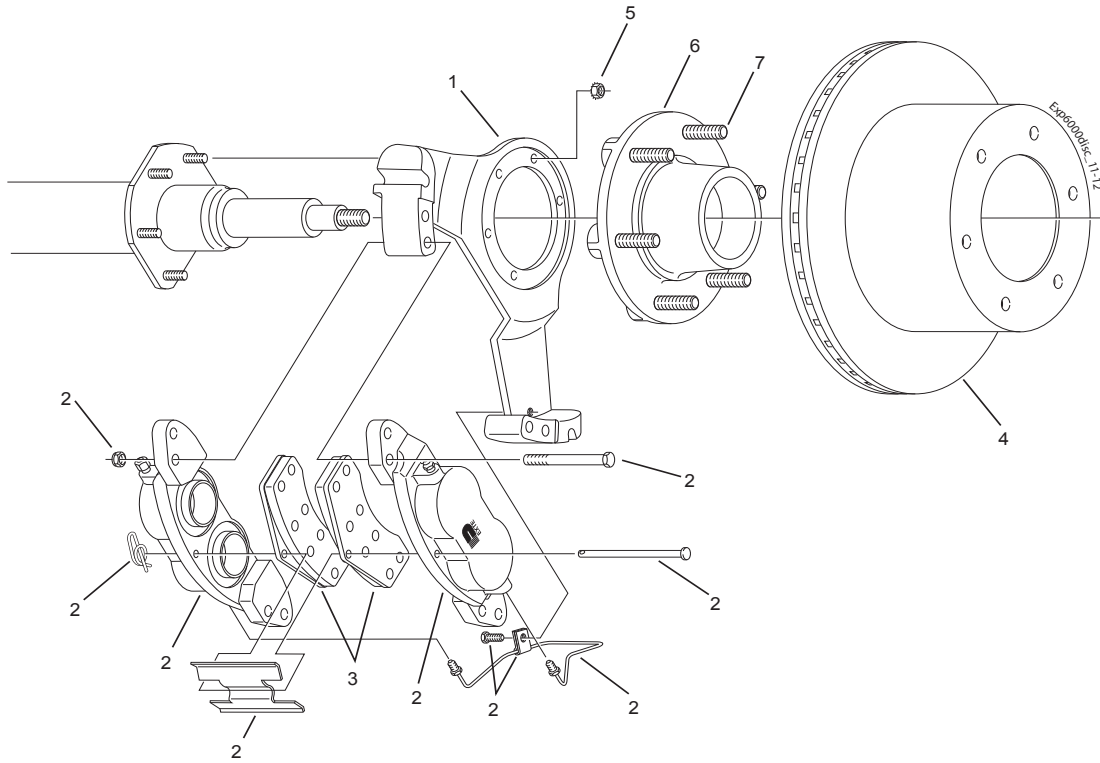
Hydraulic Free Backing Parking Brake Corrosion Resistant

Item	Part No.	Qty/Brk	Description
0	K23-340-01	1	LH Complete Brake Assembly
0	K23-341-01	1	RH Complete Brake Assembly
1	036-093-17	1	LH Backing Plate Assembly
1	036-093-18	1	RH Backing Plate Assembly
2	054-064-01	1	LH Brake Cylinder Uni-Servo
2	054-065-01	1	RH Brake Cylinder Uni-Servo
3	054-060-00	1	Cylinder Push Rod
4	087-001-00	2	Sems (screw & washer assembly)
5	037-069-02	1	Travel Link
6	046-101-00	1	Retractor Spring
6A	046-107-03	1	Shoe Lever Return Spring
7	K71-427-00	1	LH Shoe & Lining Kit Contains: 1 #040-243-06 LH Primary Shoe & Lining 1 #040-315-06 LH Secondary Shoe & Lining 1 #046-077-01 Shoe Hold Down Spring & Cup-Sec. 2 #035-001-00 Shoe Hold Down Cup-Primary 1 #046-006-01 Shoe Hold Down Spring-Primary 1 #049-013-00 Shoe Hold Down Pin #1-Primary 1 #049-002-00 Shoe Hold Down Pin #8-Sec.
7	K71-428-00	1	RH Shoe & Lining Kit Contains: 1 #040-243-07 RH Primary Shoe & Lining 1 #040-315-05 RH Secondary Shoe & Lining 1 #046-077-01 Shoe Hold Down Spring & Cup-Sec. 2 #035-001-00 Shoe Hold Down Cup-Primary 1 #046-006-01 Shoe Hold Down Spring-Primary 1 #049-013-00 Shoe Hold Down Pin #1-Primary 1 #049-002-00 Shoe Hold Down Pin #8-Sec.
8	043-028-00	1	Adjuster Assembly
9	046-123-01	1	Adjusting Screw Spring
10	046-007-00	1	Adjuster Slot Plug
*11	006-193-00	5	Nut Washer Assembly
13	040-244-02	1	Shoe Lever
14	006-011-00	1	Locknut
15	007-210-00	1	Screw
16	005-064-00	1	Washer
17	046-108-03	1	Primary Shoe Return Spring
18	069-055-00	1	Retainer
19	047-110-01	1	LH Parking Lever and Pin
19	047-111-01	1	RH Parking Lever and Pin
20	047-119-01	1	Strut for Parking Brake
22	005-112-00	1	Washer
ns	054-089-00	1	Bleeder Screw (included with item #2)

Disc Brake for 6,000 Lb. Axles



CSA approved at 6000#/14.3 SLR



Disc Brake 6000#

Item	Part No.	Qty/Brk	Description
1	090-005-01	1	LH Anchor Yoke
1	090-005-02	1	RH Anchor Yoke (shown)
2	K71-636-00	1	Caliper Assembly Kit for LH or RH Contains:
	4 006-045-00		Caliper Mounting Nut
	4 007-254-00		Caliper Mounting Bolt
	1 019-019-00		Cotter Ring
	1 027-060-00		Tube Clamp
	1 046-145-00		Anti-Rattle Spring
	1 054-092-00		Bleeder Screw
	1 054-094-00		Adapter Fitting
	1 056-038-00		Pad Retaining Pin
	1 071-513-00		Cross Over Hydraulic Line (yokes without notch)
	1 071-517-00		Cross Over Hydraulic Line (yokes with notch)
	1 087-002-00		Hex Bolt
	2 089-005-06		Assembled Caliper Half
3	K71-629-00	1	Brake Pad Kit (axle set)
4	K71-637-00	1	Rotor Kit
5	006-193-00	5	3/8" Brake Mounting Nut-Washer Assembly

Disc Brake 6000# With 42MM Nev-R-Lube®

Item	Part No.	Qty/Brk	Description
1	090-006-01	1	LH Anchor Yoke
1	090-006-02	1	RH Anchor Yoke
2	K71-636-00	1	Caliper Assembly Kit for LH or RH Contains:
	4 006-045-00		Caliper Mounting Nut
	4 007-254-00		Caliper Mounting Bolt
	1 019-019-00		Cotter Ring
	1 027-060-00		Tube Clamp
	1 046-145-00		Anti-Rattle Spring
	1 054-092-00		Bleeder Screw
	1 054-094-00		Adapter Fitting
	1 056-038-00		Pad Retaining Pin
	1 071-513-00		Cross Over Hydraulic Line (yokes without notch)
	1 071-517-00		Cross Over Hydraulic Line (yokes with notch)
	1 087-002-00		Hex Bolt
	2 089-005-06		Assembled Caliper Half
3	K71-629-00	1	Brake Pad Kit (axle set)
4	K71-637-00	1	Rotor Kit
5	006-193-00	5	3/8" Brake Mounting Nut-Washer Assembly

Disc Brake Hubs & Studs

Item	Part No.	Qty/Brk	Description
6	008-403-05	1	Grease 1/2" Studs 6 on 5.50
7	007-262-00	6	1/2-20 x 2.70" Press-in Stud (hubs after 2/09)

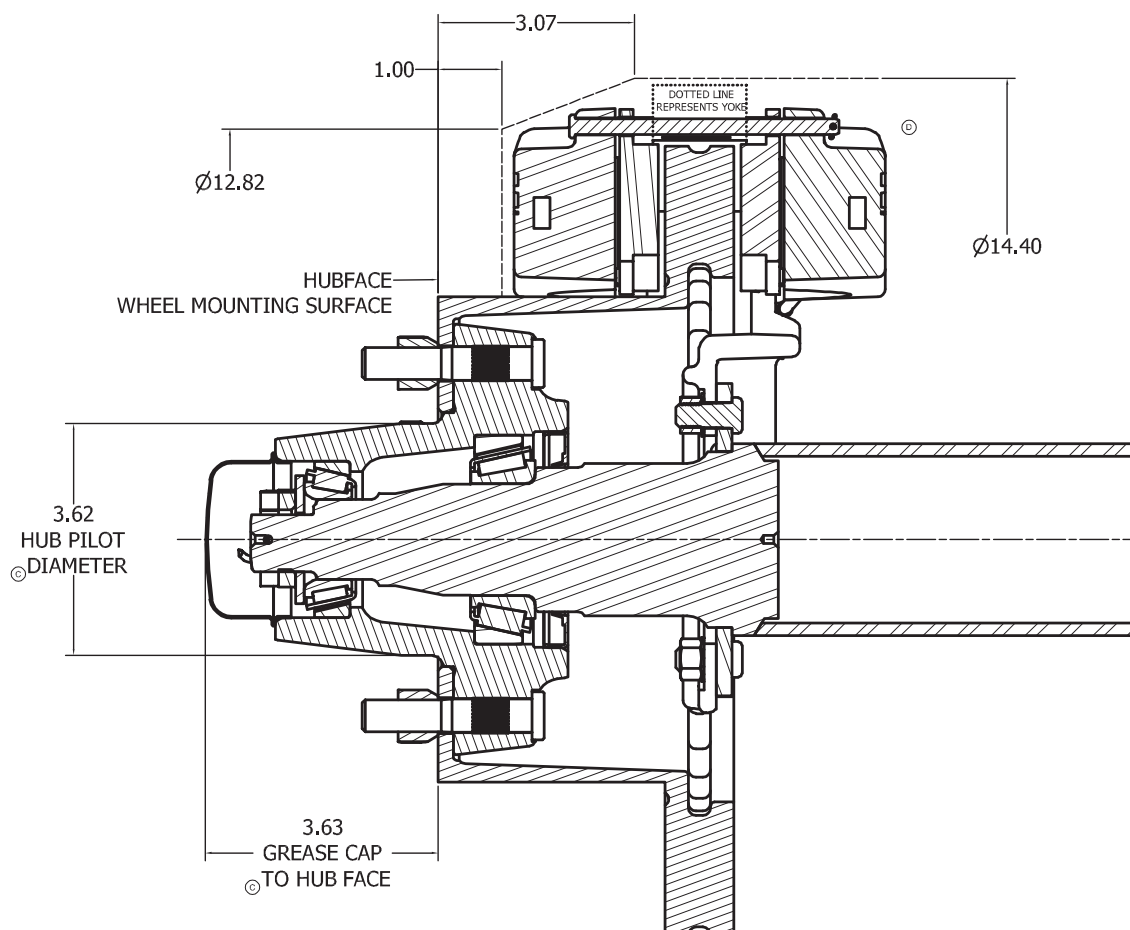
Nev-R-Lube® Disc Brake Hubs

Item	Part No.	Qty/Brk	Description
6	008-404-80	1	1/2" Studs, 42mm 6 on 5.50
7	007-262-00	6	1/2-20 x 2.70" Press-in Stud (hubs after 2/09)

Recommended Wheel Clearance for 6,000 Lb. Disc Brake



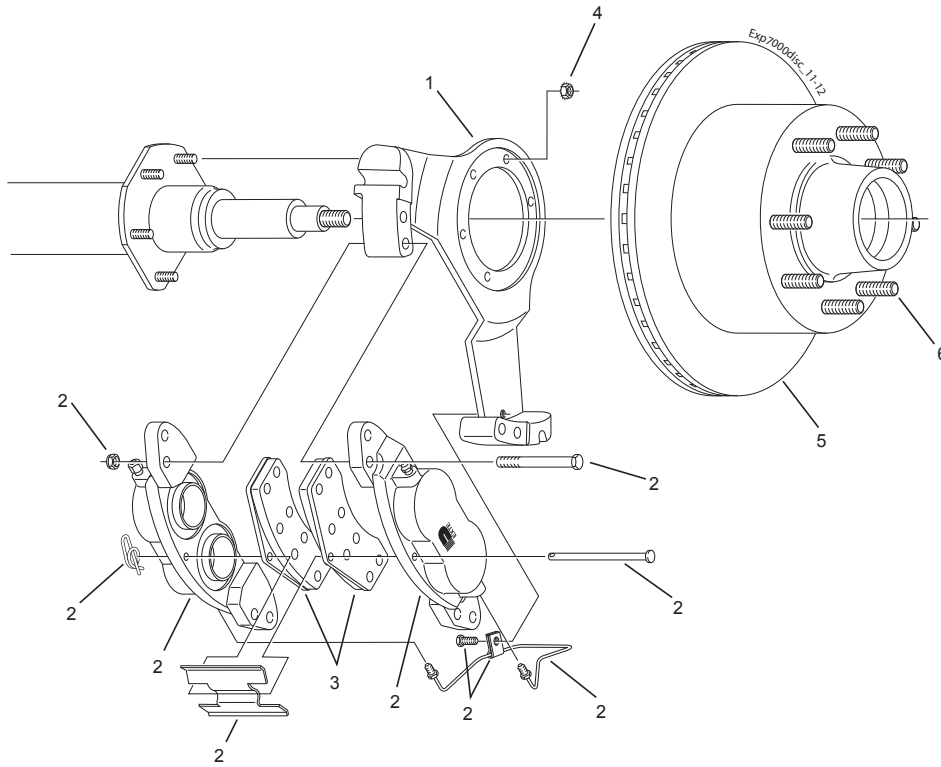
5500 - 7000 LBS. CAPACITY



CAUTION: The above hub/rotor profile shows the minimum clearance needed to insure that no part of the wheel makes contact with any brake component.

Make sure the wheel is in full contact with the hub face and does not drag against the brake caliper. If there is not full contact with the hub face, you may experience a dangerous wheel separation.

Disc Brake for 7,000 Lb. Axles



Disc Brake 7000#

Item	Part No.	Qty/Brk	Description
1	090-008-01	1	LH Anchor Yoke
1	090-008-02	1	RH Anchor Yoke (shown)
2	K71-693-00	1	Caliper Assembly Kit for LH or RH Contains:
	4 006-045-00		Caliper Mounting Nut
	4 007-254-00		Caliper Mounting Bolt
	1 019-019-00		Cotter Ring
	1 027-060-00		Tube Clamp
	1 046-145-00		Anti-Rattle Spring
	1 054-092-00		Bleeder Screw
	1 054-094-00		Adapter Fitting
	1 056-038-00		Pad Retaining Pin
	1 071-517-00		Cross Over Hydraulic Line (yokes with notch)
	1 087-002-00		Hex Bolt
	2 089-005-06		Assembled Caliper Half
3	K71-629-00	1	Brake Pad Kit (axle set)
4	006-193-00	5	5/8" Brake Mounting Nut-Washer Assembly

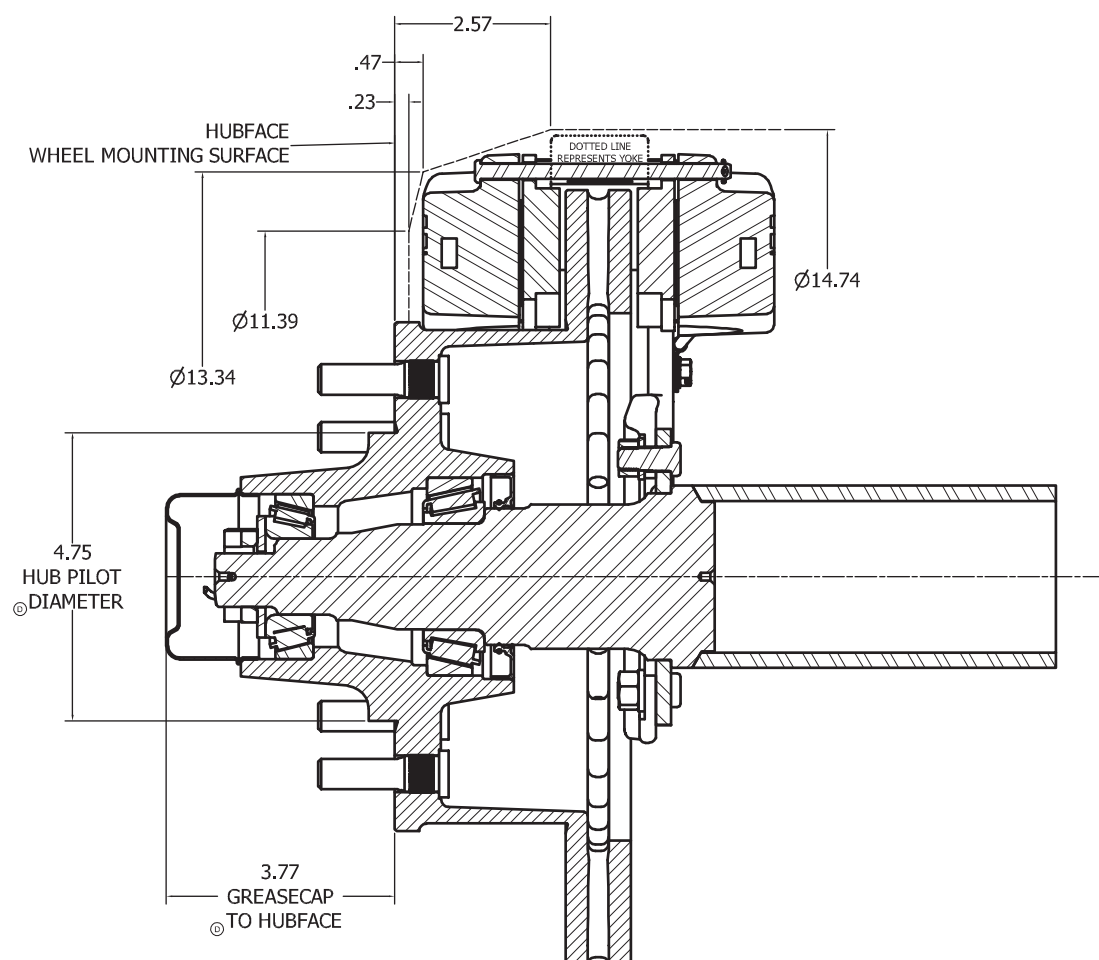
Disc Brake Hubs & Studs

Item	Part No.	Qty/Brk	Description
5	008-416-10	1	Grease 1/2" Studs 8 on 6.50
	008-416-11	1	Oil 1/2" Studs 8 on 6.50
	008-416-12	1	Grease 9/16" Studs 8 on 6.50
	008-416-13	1	Oil 9/16" Studs 8 on 6.50
	008-416-14	1	Grease 5/8" Studs 8 on 6.50
	008-416-15	1	Oil 5/8" Studs 8 on 6.50
6	007-122-00	8	1/2-20 x 1.84" Press-in Stud
	007-223-00	8	9/16-18 x 2.01" Press-in Stud
	007-224-00	8	5/8-18 x 2.50" Press-in Stud

Recommended Wheel Clearance for 7,000 Lb. Disc Brake



5500 - 7000 LBS. CAPACITY



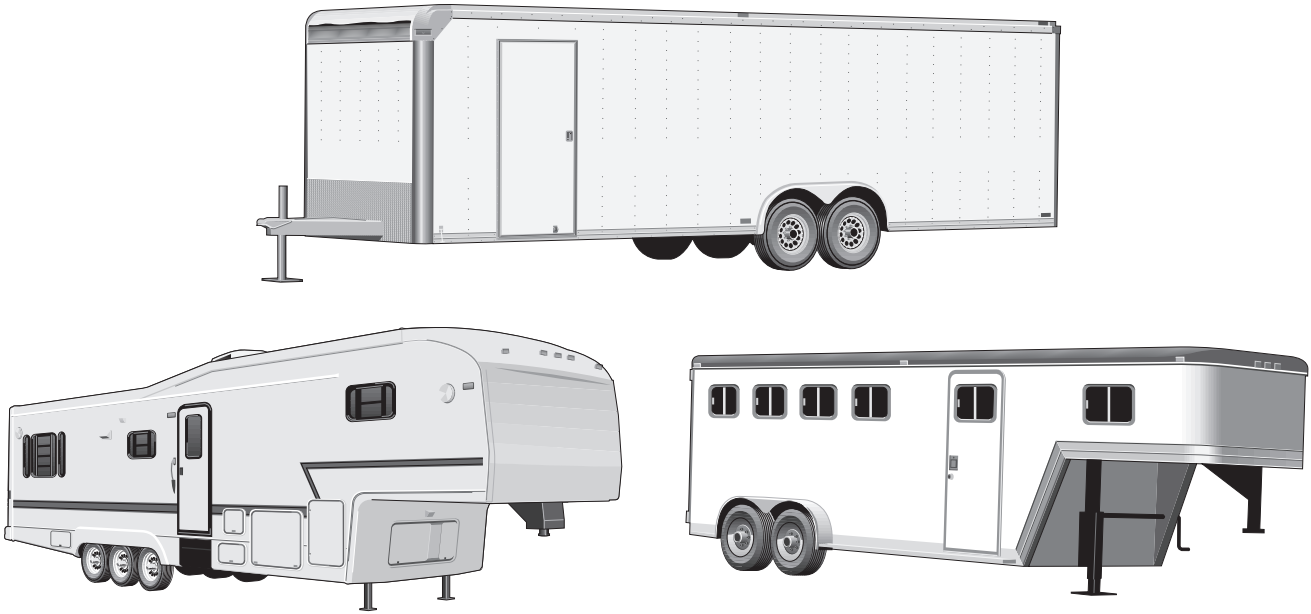
CAUTION: The above hub/rotor profile shows the minimum clearance needed to insure that no part of the wheel makes contact with any brake component.

Make sure the wheel is in full contact with the hub face and does not drag against the brake caliper. If there is not full contact with the hub face, you may experience a dangerous wheel separation.

AIRFLEX® Light Trailer Suspension System

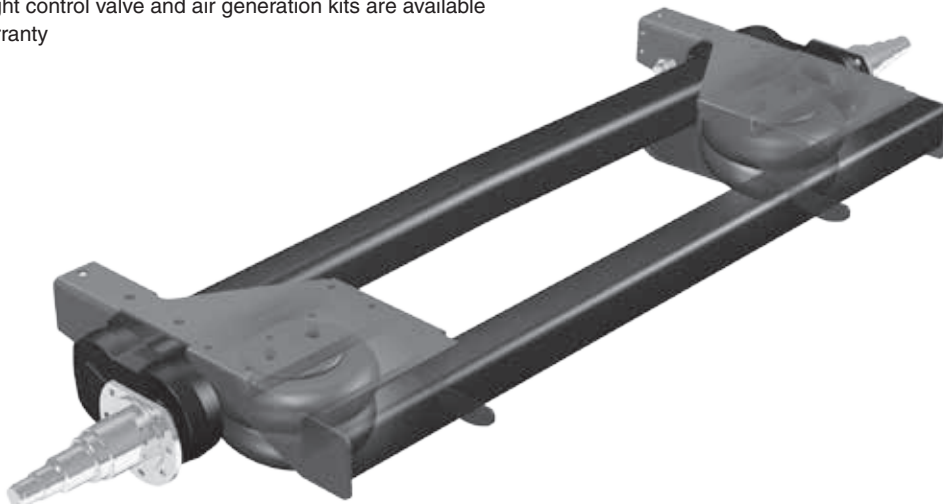


5500 - 7000 LBS. CAPACITY



Smooth Out the Roughest Roads

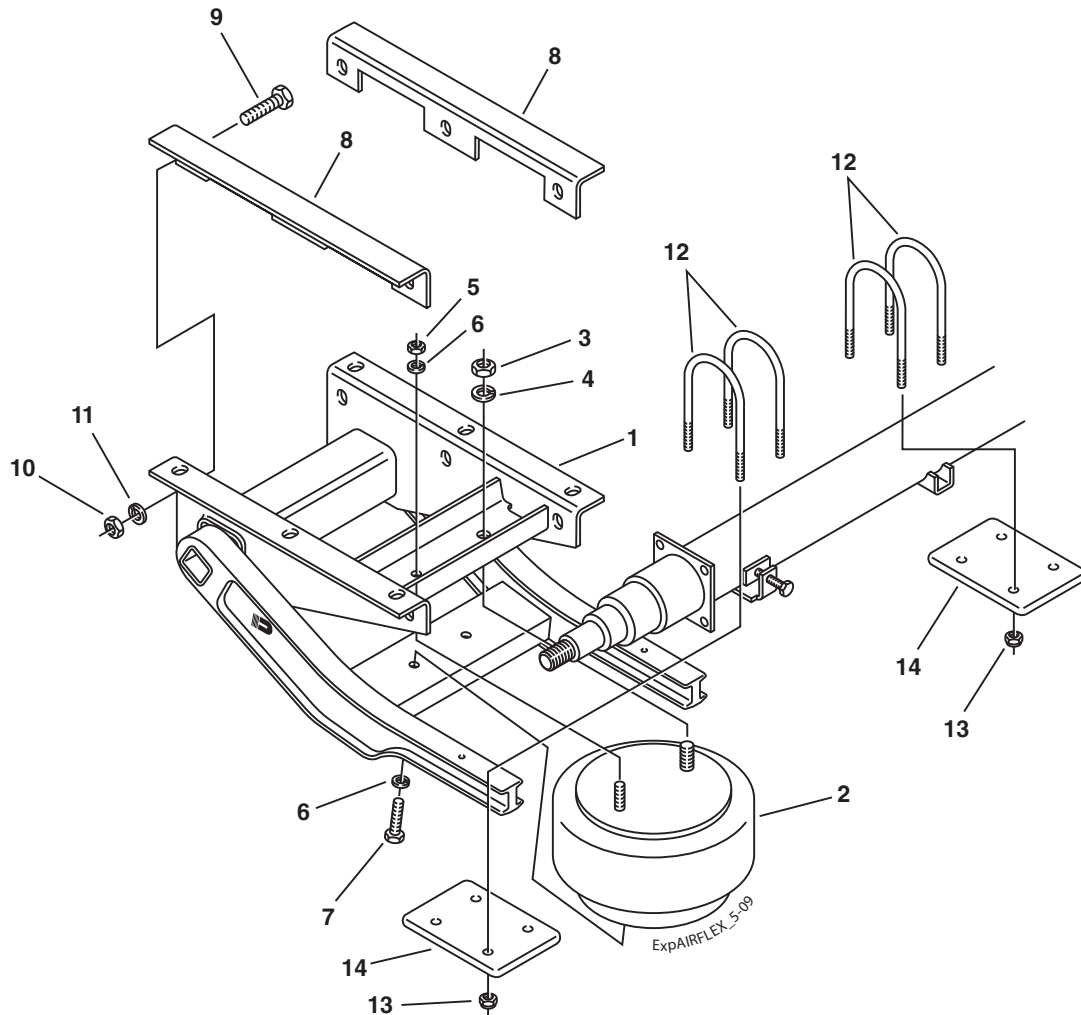
- Soft Ride – New hybrid suspension combines air and rubber torsion for an excellent ride
- Independent – Ride and stability improve with independent wheel action
- Equalizing – Axle-to-axle load equalization allows use on triple axle trailers
- Reliable – Rubber cushions ride even if air is not available
- Maintains constant ride height for the ultimate ride
- Fully assembled for easy installation
- Adjustable axle alignment feature
- Available for single, tandem or triple axle applications
- Optional ride height control valve and air generation kits are available
- 2 year limited warranty





Service Parts Only

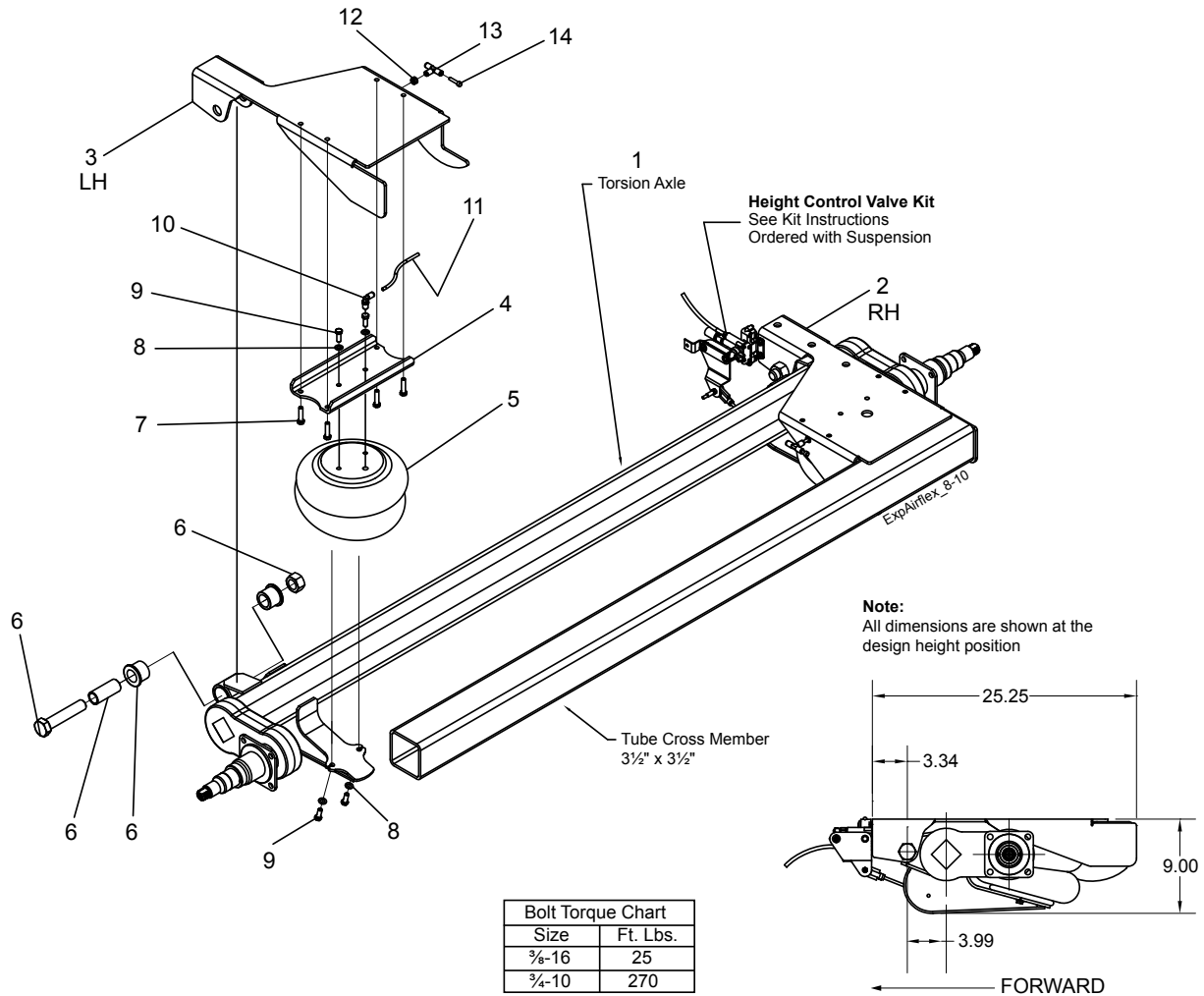
5500 - 7000 LBS. CAPACITY



AIRFLEX® Suspension Components 7000#

Item	Part No.	Qty/Axle	Description
1	003-272-00	1	LH Suspension Assembly (shown) (incl. items #2-11)
1	003-273-00	1	RH Suspension Assembly (incl. items #2-11)
Air Spring & Mounting Hardware			
2	034-279-00	2	Air Spring
3	006-122-01	2	3/4"-16 Jam Nut
4	005-143-00	2	3/4" Lock Washer
5	006-116-00	2	1/2"-13 Hex Nut
6	005-058-00	6	1/2" Lock Washer
7	007-259-00	4	1/2"-13 Hex Bolt
Suspension Mounting Hardware			
8	003-261-00	2	Side Mount Bracket
9	007-177-00	6	5/8" Mounting Bolt
10	006-126-00	6	5/8" Locknut
11	005-111-00	6	5/8" Washer
Axle Attaching Hardware			
12	011-090-01	8	3/4" U-Bolt
13	006-113-00	16	3/4" Locknut
14	012-065-01	4	Tie Plate
Air Supply Kits			
ns	K71-632-01	-	Tandem Plumbing Kit with Ride Height Control Valve
ns	K71-632-02	-	Air Generation Kit (includes compressor and tank)
ns	K71-632-03	-	Manual Dump Valve Kit
ns	K71-632-04	-	Tri-Axle Conversion Plumbing Kit

ns - not shown



Bolt Torque Chart	
Size	Ft. Lbs.
3/8-16	25
3/4-10	270

AIRFLEX® Suspension Components 7000#

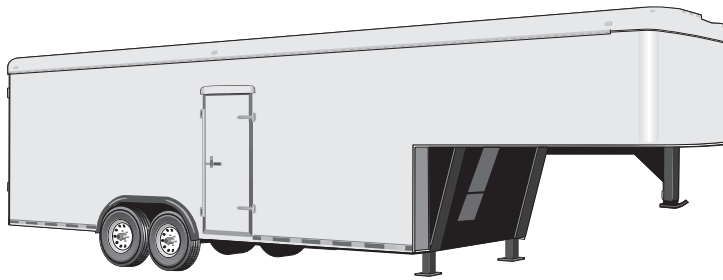
Item	Part No.	Qty/Axle	Description
1	n/a	1	Torsion Axle with Suspension Brackets
2	003-327-00	1	RH Frame Bracket
3	003-326-00	1	LH Frame Bracket
4	003-323-00	2	Channel, Air Spring Support
5	W01-358-6947	2	Firestone Air Spring
6	K71-734-00	1	Airflex Pivot Bushing Replacement Kit Contains: 2 #006-287-00 Nut, Hex Locking 2 #007-466-00 Bolt, Hex 2 #014-123-00 Pivot Bushing Assembly 2 #014-127-00 Pivot Bushing Spacer
7	n/a	8	3/8-16 UNC x 1.5" LG HHCS
8	n/a	8	3/8 Regular Split Lock Washer
9	n/a	8	3/8-16 UNC x 1" LG HHCS
10	n/a	2	1/4 NPTM x 1/4 T 90° Elbow, Swivel
11	n/a	2	1/4 x 6.25" LG Nylon Tube
12	n/a	2	Grommet
13	n/a	2	1/4 T Union Tee
14	n/a	2	1/4 T Plug

Air Supply Kits

ns	K71-692-01	-	Ride Height Control Kit
ns	K71-692-02	-	Air Supply and Control Kit
ns	K71-692-03	-	Air Control Kit Without Air Supply
ns	059-809-00	-	Installation Instructions (available on Dexter website)

n/a - not available

ns - not shown



Axle Types

7200 Lbs. Capacity

- Complete service manual
- Precision machined steel spindles and integral cast iron hub/drums
- Finned brake drums for better heat dissipation
- Press-in wheel studs, $\frac{9}{16}$ " or $\frac{5}{8}$ "
- Improved bearing package; unitized seals
- Standard grease lubrication; optional oil bath; E-Z Lube[®] option
- $12\frac{1}{4}$ " x $2\frac{1}{2}$ " electric brakes, CSA approved at 7100 lbs.
- Inner wiring system for easier installation and protection of brake wiring



D72 LEAF SPRING



- Heavy wall 3" diameter tube
- Straight or Drop spindles (4" drop only)
- High quality alloy steel springs in a variety of capacities
- Single, tandem, or triple axle assemblies with equalized suspensions
- Slipper leaf spring suspension
- Heavy duty suspension parts available
- Optional rubber bushed suspension
- Optional hanger and attaching parts kits available
- Durable, wear-resistant components
- 5 year limited warranty

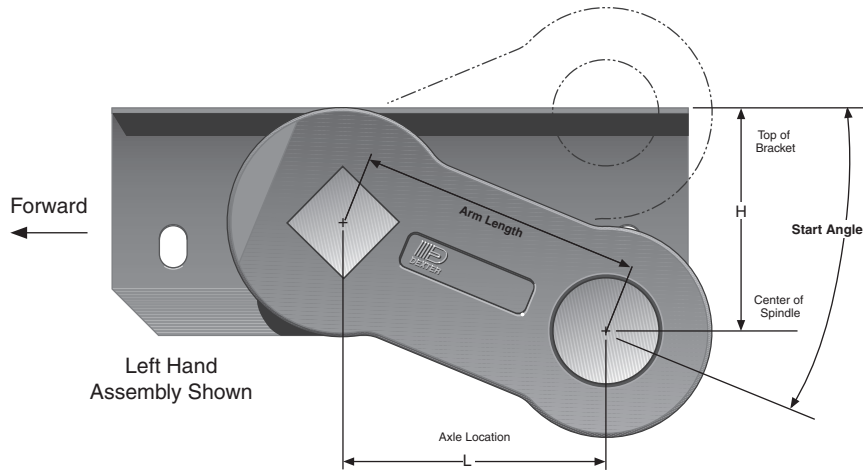
- Totally rubber-cushioned for smooth, quiet, independent ride
- Easy installation with less maintenance
- Less transfer of road shock which insulates cargo from road shocks and vibration
- Rubber cords compounded for maximum dependability and durability
- Load-carrying cross member
- Self-damping action
- Independent wheel suspension system
- 10 year limited warranty on Torflex[®] suspension system
- Low profile for maximum road clearance
- Various starting angles to control trailer height
- High and low profile brackets with optional mounting brackets are available
- Rubber cushioning eliminates metal-to-metal contact
- Shock absorption provided by the natural hysteresis of rubber
- Single or tandem axle assemblies
- Durable, wear-resistant components

CAUTION: Triple axle assemblies are NOT recommended for #12V Torflex[®] axles.



Articulation Dimensions

Dimensions are for top mount only. Side mount is .31" higher. Allow 3" bump clearance from full load.



Start Angle	Bracket Profile	No Load		Full Load		Shock Load	
		H	L	H	L	H	L
45° Down	Low	6.24	4.24	4.30	5.54	3.17	5.88
	High	6.99	4.24	5.05	5.54	3.92	5.88
32° Down	Low	5.18	5.09	2.99	5.92	1.82	6.00
	High	5.93	5.09	3.74	5.92	2.57	6.00
22.5° Down	Low	4.30	5.54	2.00	6.00	0.83	5.88
	High	5.05	5.54	2.75	6.00	1.58	5.88
10° Down	Low	3.04	5.91	0.70	5.86	-0.42	5.49
	High	3.79	5.91	1.45	5.86	0.33	5.49
0°	Low	2.00	6.00	-0.30	5.54	-1.33	4.99
	High	2.75	6.00	0.45	5.54	-0.58	4.99
10° Up	Low	0.96	5.91	-1.22	5.06	-2.15	4.33
	High	1.71	5.91	-0.47	5.06	-1.40	4.33
22.5° Up	Low	-0.30	5.54	-2.24	4.24	-2.99	3.33
	High	0.45	5.54	-1.49	4.24	-2.24	3.33

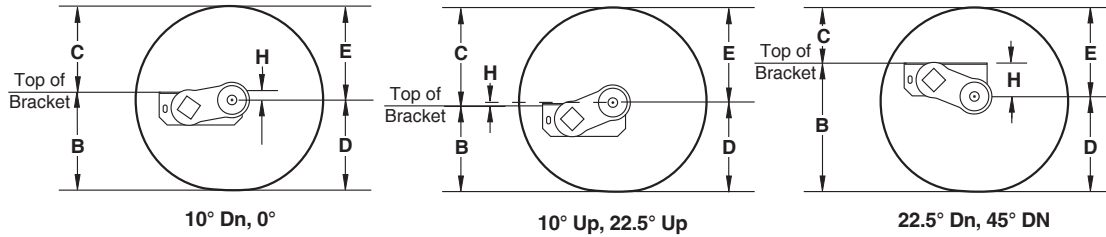
H = Height
L = Length

Note: Positive numbers in the H column indicate the spindle is BELOW the top of the bracket. Conversely, negative numbers are ABOVE the top of the bracket.



Full Load Dimensions

Dimensions are for low profile, top mount only. High profile brackets are .75" higher. Side mount is .31" higher. Allow 3" bump clearance from full load.



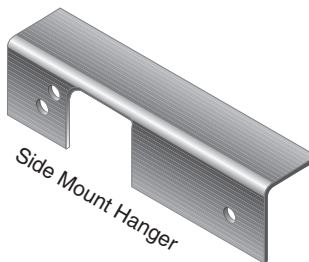
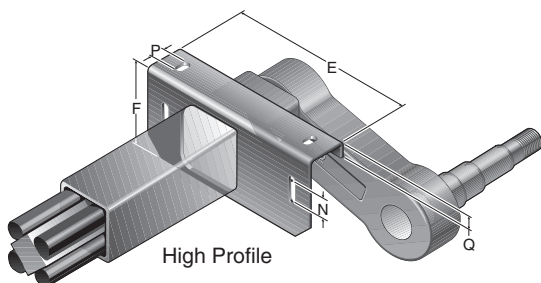
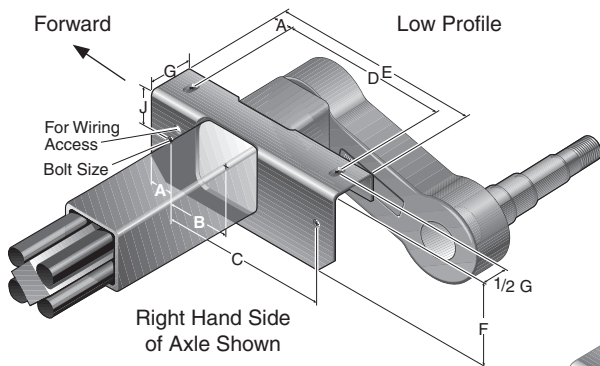
Start Angle

Tire	45° Down					32° Down					22.5° Down		
	D	E	H	B	C	D	E	H	B	C	H	B	C
LT235/85R16	14.3	15.4	4.3	18.6	11.1	14.3	15.4	3.0	17.3	12.4	2.0	16.3	13.4
7.50-16LT	14.9	16.7	4.3	19.2	12.4	14.9	16.7	3.0	17.9	13.7	2.0	16.9	14.7
9.50-16.5LT	14.1	15.2	4.3	18.4	10.9	14.1	15.2	3.0	17.1	12.2	2.0	16.1	13.2

Columns D and E are dimensional examples only:

- D – Static Loaded Radius
- E – Inflated Radius

Tire	10° Down			0°			10° Up			22.5° Up		
	H	B	C	H	B	C	H	B	C	H	B	C
LT235/85R16	0.7	15.0	14.7	-0.3	14.0	15.7	-1.2	13.1	16.6	-2.2	12.1	17.6
7.50-16LT	0.7	15.6	16.0	-0.3	14.6	17.0	-1.2	13.7	17.9	-2.2	12.7	18.9
9.50-16.5LT	0.7	14.8	14.5	-0.3	13.8	15.5	-1.2	12.9	16.4	-2.2	11.9	17.4



#12V Bracket Dimensions

	Low	High
A	1.25	1.25
B	3.50	3.50
C	9.50	9.50
D	9.00	9.00
E	12.00	12.00
F	4.37	5.12
G	2.50	2.50
J	2.06	2.06
N	----	1.03
P	----	1.00
Q	----	1.00
Bolt Size	5/8" bolt	
Tube Size	3.50	3.50

#12V Overhang Per Side

Spindle	Min.	Max.
Standard	7.00"	14.77"

Leaf Spring Application Information



Double Eye Springs

For Standard 33" Axle Spacing

- Single A/P-122-00
- Tandem A/P-233-00
- Triple A/P-335-00

Spring Length

	21"	24"	26"
A	19.62	23.50	25.75
B	25.00	27.50	29.50
C	28.75	31.00	33.00
D	10.62	12.00	13.00
E	28.75	31.00	33.00

For Optional 35" Axle Spacing

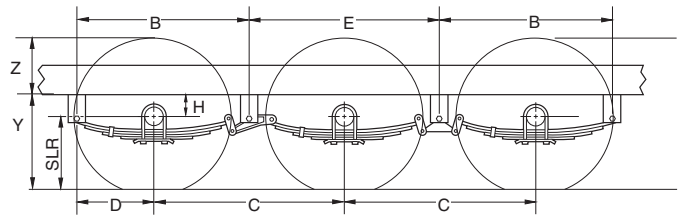
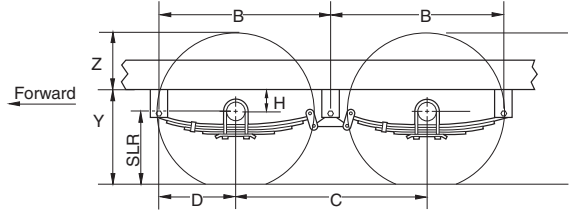
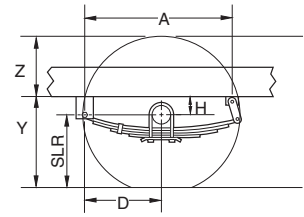
- Tandem A/P-264-00
- Triple A/P-364-00

Spring Length

	21"	24"	26"
B	26.00	28.50	30.50
C	30.80	33.00	35.00
D	10.62	12.00	13.00
E	30.80	33.00	35.00

D72 Overhang Per Side

	Min.	Max.
Straight	7.00"	9.00"
4" Drop	7.87"	9.00"
Nev-R-Lube®	7.00"	9.00"



Double Eye Axle Assemblies

Hanger Kits

Part No.	Description	Height	Quantity Per Kit			
			HGR-105-00	HGR-271-00	HGR-274-00	HGR-371-00
028-070-00	Hanger	4.25"	----	6	----	8
028-006-00	Front Hanger	1.44"	2	----	----	----
028-010-01	Hanger	5.00"	----	----	6	----
030-020-00	Rear Hanger	.91"	2	----	----	----

Attaching Parts Kits

Part No.	Description	Quantity Per Kit				
		A/P-122-00	A/P-233-00	A/P-264-00†	A/P-335-00	A/P-364-00†
006-092-01	Flange Locknut	6	14	14	22	22
007-126-00	Shackle Bolt	2	6	6	10	10
013-104-02	Equalizer	----	2	----	2	----
013-105-02	Equalizer	----	----	----	2	----
013-122-02	Equalizer	----	----	2	----	2
013-126-02	Equalizer	----	----	----	----	2
018-011-01	Shackle Link	----	4	4	6	6
018-012-01	Shackle Link, Long	2	----	----	----	----
018-020-00	Shackle Link Assembly	----	4	4	6	6
018-021-00	Shackle Link Assembly, Long	2	----	----	----	----

† For 35" axle spacing using 26" springs

Leaf Spring Application Information



7200 LBS. CAPACITY

Slipper Spring Axle Assemblies

Hanger Kits			Quantity Per Kit		
Part No.	Description	Height	HGR-138-00	HGR-238-00	HGR-338-00
028-009-01	Front Hanger	5.00"	2	2	2
029-005-01	Center Hanger	4.50"	----	2	4
030-006-01	Rear Hanger	6.38"	2	2	2

Attaching Parts Kits		A/P-103-00	A/P-202-00 [§]	A/P-216-00 [‡]	A/P-302-00 [§]	A/P-316-00 [‡]
Part No.	Description					
006-007-01	5/16-18 Locknut	2	4	4	6	6
006-011-00	Keeper Nut	2	4	4	6	6
006-111-00	Equalizer Nut	----	2	2	4	4
007-001-01	Equalizer Bolt	----	2	2	4	4
007-007-00	Keeper Bolt	2	4	4	6	6
007-017-00	Spring Eye Bolt	2	4	4	6	6
013-004-00	Equalizer	----	2	----	4	----
013-044-01	Equalizer	----	----	2	----	4

§ For 33.5" axle spacing

‡ For 36" axle spacing

Slipper Springs

	Single A/P-103-00	Tandem A/P-202-00 [§]		Triple A/P-302-00 [§]	A/P-316-00 [‡]
A	24.0	----	----	----	----
B	----	28.8	30.4	28.8	30.4
C	----	33.5	36.0	33.5	36.0
D	11.5	11.5	11.5	11.5	11.5
E	----	----	----	33.0	35.0

Note: All 2" wide slipper springs

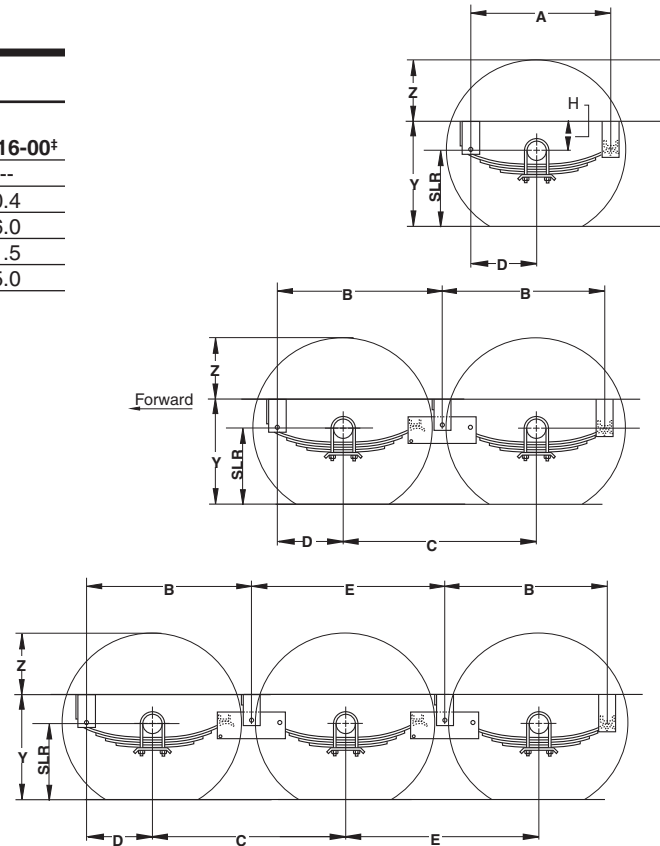
§ For 33.5" axle spacing

‡ For 36" axle spacing

A, B, E – Hanger Spacing
 C – Axle Spacing
 D – Axle Location
 H – Center of Spindle
 Y – Frame Height
 Z – Top of Tire to Bottom of Frame
 SLR – Static Load Radius

To determine these values, contact your local sales engineer or distributor to run ProSpec™.

Some combinations of hangers and spring mountings may result in insufficient bump clearance. Refer to the Miscellaneous section for additional hanger kits, A/P kits, or other tires.



D72 Overhang Per Side

	Min.	Max.
Straight	7.00"	9.00"
4" Drop	7.87"	9.00"

Single Axles

require 1 HAP-105-00 kit

Tandem Axles

require 1 HAP-105-00 kit and 1 HAP-205-01 kit

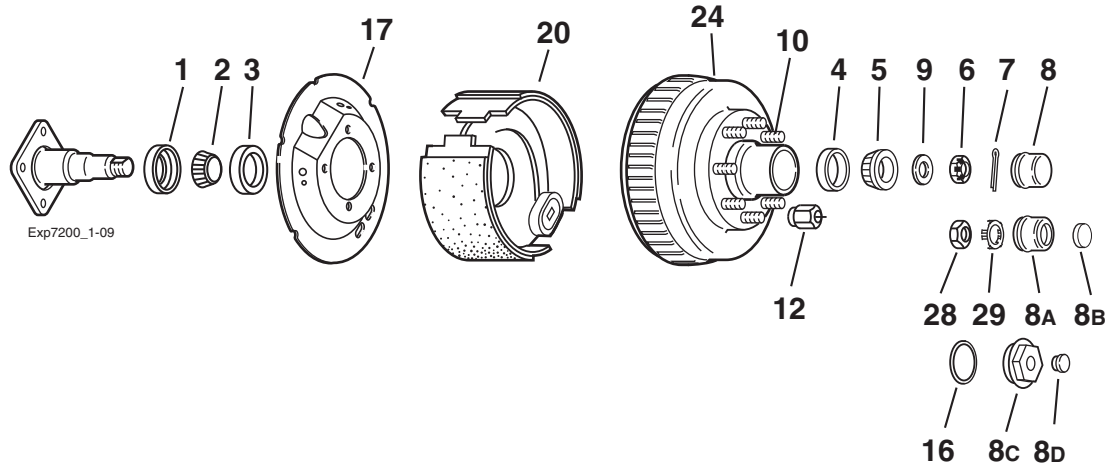
Triple Axles

require 1 HAP-105-00 kit and 2 HAP-205-01 kits

Rubber Bushed Suspension

Part No.	Description	Height	HAP-105-00	HAP-205-01
028-068-02	Front Hanger	5.50"	2	----
029-039-04	Center Hanger	4.50"	----	2
030-068-02	Rear Hanger	4.85"	2	----
006-011-00	5/16-18 UNC Locknut	----	2	2
006-038-00	5/8-11 UNC Locknut	----	2	2
006-112-00	1-8 UNC Locknut	----	----	2
007-007-00	Keeper Bolt	----	2	2
007-181-00	Spring Eye Bolt	----	2	2
007-182-00	Equalizer Bolt	----	----	2
013-117-03	Equalizer	----	----	2
059-200-00	Decal	----	1	1
059-203-00	Instruction Sheet	----	1	1

865 Hub Group



Grease Lube Parts

Item	Part No.	Description
1	010-036-00	Seal
2	031-030-02	25580 Inner Bearing Cone
3	031-030-01	25520 Inner Bearing Cup
4	031-028-01	02420 Outer Bearing Cup
5	031-028-02	02475 Outer Bearing Cone
6	006-176-00	Spindle Nut
7	019-002-00	Cotter Pin (not used with E-Z Lube®)
8	021-039-00	Grease Cap
8A	021-043-01	Grease Cap for E-Z Lube®
8B	085-001-00	E-Z Lube® Rubber Plug
9	005-057-00	Spindle Washer
28	006-191-00	Special Jam Nut for E-Z Lube® (after 2002)
29	006-190-00	Spindle Nut Retainer for E-Z Lube® (after 2002)

Oil Lube Parts

Item	Part No.	Description
1	010-063-00	Seal (Unitized)
2	031-030-02	25580 Inner Bearing cone
3	031-030-01	25520 Inner Bearing Cup
4	031-028-01	02420 Outer Bearing Cup
5	031-028-02	02475 Outer Bearing Cone
6	006-176-00	Spindle Nut
7	019-002-00	Cotter Pin
9	005-057-00	Spindle Washer
8C	021-035-00	Oil Cap
8D	046-032-00	Oil Cap Plug
ns	046-052-00	Oil Filler Plug (service part only)
16	010-045-00	'O' Ring for Oil Lube

Studs & Wheel Nuts

Item	Part No.	Description
10	007-122-00	1/2-20 Press-in Stud
10	007-224-00	5/8-18 Press-in Stud
10	007-223-00	9/16-18-18 Press-in Stud
12	006-053-00	9/16-18 60° Cone Nut
12	006-109-00	5/8-18 90° Cone Nut
ns	006-058-00	5/8-18 Flange Nut

Note: Spindle is not available for resale.

Hubs

(After May 2000 for cast backing plate brakes)

Item	Part No.	Description	Bolt Circle
24	008-393-10	Grease 1/2" Stud	8 on 6.50
24	008-393-04	Grease 9/16" Stud	8 on 6.50
24	008-393-06	Grease 5/8" Stud	8 on 6.50
24	008-393-09	Oil 1/2" Stud	8 on 6.50
24	008-393-03	Oil 9/16" Stud	8 on 6.50
24	008-393-05	Oil 5/8" Stud	8 on 6.50

Brakes

(After May 2000 with cast backing plate brakes)

Item	Part No.	Description
17	036-118-20	Dust Shield not included with brake assembly
20	K23-429-00	RH 12 1/4" x 2 1/2" Electric Brakes
20	K23-428-00	LH 12 1/4" x 2 1/2" Electric Brakes

Service Parts Not Interchangeable With Cast Parts

Hubs

(Before May 2000 for stamped backing plate brakes)

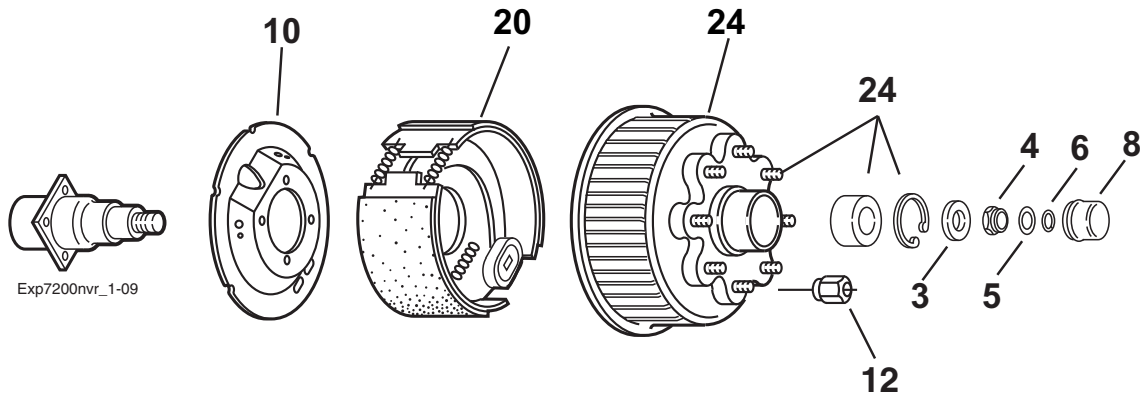
Item	Part No.	Description	Bolt Circle
24	008-355-13	Grease 9/16" Stud	8 on 6.50
24	008-355-15	Grease 5/8" Stud	8 on 6.50
24	008-355-12	Oil 9/16" Stud	8 on 6.50
24	008-355-14	Oil 5/8" Stud	8 on 6.50

Brakes

(Before May 2000 with stamped backing plate brakes)

Item	Part No.	Description
17	036-110-00	Dust Shield (top) included with brake assembly
17	036-110-01	Dust Shield (bottom) included with brake assembly
20	023-369-00	RH 12 1/4" x 2 1/2" Electric Brakes
20	023-370-00	LH 12 1/4" x 2 1/2" Electric Brakes

ns - not shown



Nev-R-Lube® Parts 50MM

Item	Part No.	Description
3	005-149-00	Spindle Washer
4	006-183-00	Spindle Nut
5	092-002-00	Washer, Torque Label
6	069-096-00	Snap Ring
8	021-086-00	Grease Cap

12¼" x 2½" Brakes

Item	Part No.	Description
10	036-118-20	Dust Shield
20	K23-428-00/K23-429-00	LH/RH Manual Adjust Electric Brake

Note: Spindle is not available for resale.

Hubs With Bearing and Wheel Studs

Item	Part No.	Description	Bolt Circle
24	008-395-80	Hub and Drum includes: 007-223-00 9/16" Press-in Studs 031-071-03 50mm Bearing Cartridge 069-093-00 Bearing Retainer	8 on 6.50
ns	008-395-81	Hub and Drum includes: 007-224-00 5/8" Press-in Studs 031-071-03 50mm Bearing Cartridge 069-093-00 Bearing Retainer	8 on 6.50

Wheel Nuts

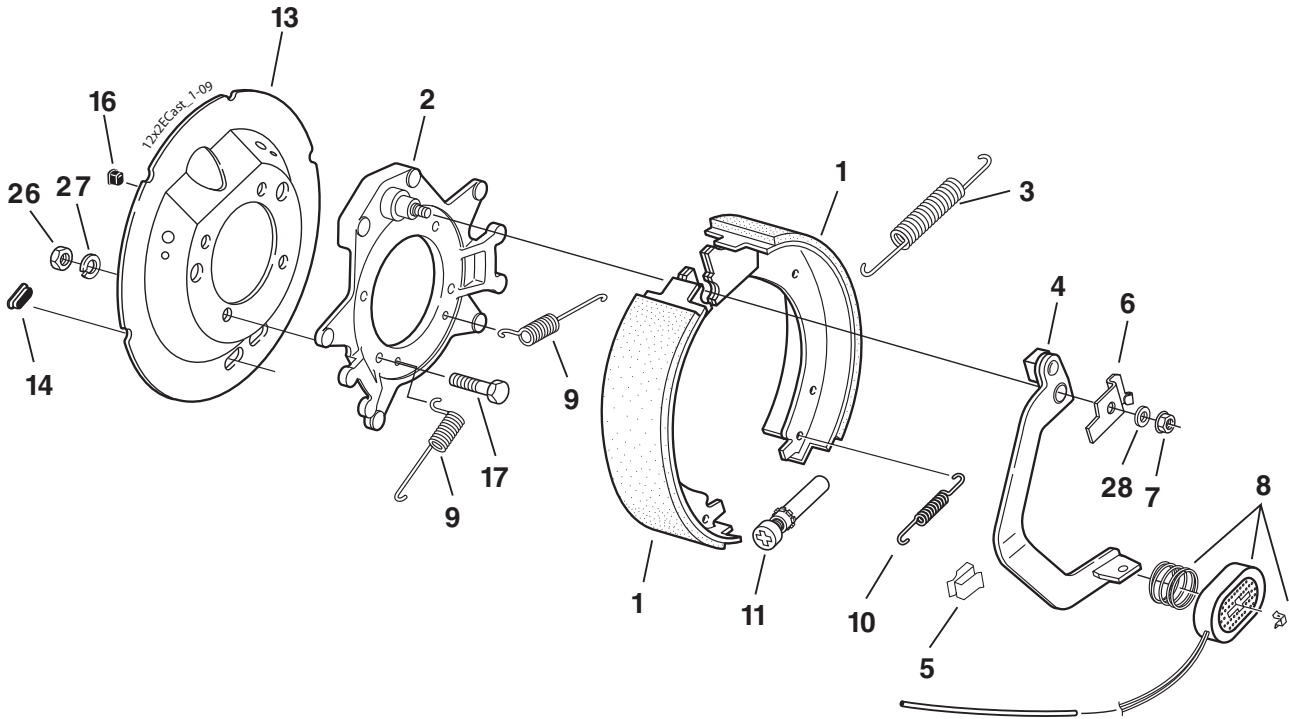
Item	Part No.	Description
12	006-053-00	9/16-18 60° Cone Nut
ns	006-109-00	5/8-18 90° Cone Nut
ns	006-058-00	5/8-18 Flange Nut

ns - not shown

12¼" x 2½" Electric Brake – Cast Backing Plate



CSA approved at 7100#/14.2 SLR



Electric Brake

Item	Part No.	Qty/Brk	Description
0	K23-428-00	1	LH Complete Brake Assembly (shown)
0	K23-429-00	1	RH Complete Brake Assembly
1	K71-497-00	1	LH Shoe & Lining Kit Contains: 1 #040-348-01 LH Primary Shoe & Lining 1 #040-349-02 LH Secondary Shoe & Lining
1	K71-496-00	1	RH Shoe & Lining Kit Contains: 1 #040-349-01 RH Primary Shoe & Lining 1 #040-348-02 RH Secondary Shoe & Lining
2	036-119-02	1	Backing Plate
3	046-119-00	1	Shoe Return (gray)
4	047-124-05	1	LH Actuating Lever Arm Assembly
4	047-125-05	1	RH Actuating Lever Arm Assembly
5	027-039-00	3	Wire Clip
6	071-455-01	1	LH Lever Arm Retainer
6	071-455-02	1	RH Lever Arm Retainer
7	006-092-01	1	Flange Nut
8	K71-378-00	1	Magnet Kit Contains: 1 #042-131-00 Magnet (red/black wire after 6/17) 1 #027-050-00 Magnet Retainer 1 #046-117-00 Magnet Spring
9	046-136-00	2	Centering Spring
10	046-018-00	1	Adjuster Spring (red)
11	048-017-00	1	Adjuster Assembly
*13	036-118-20	1	Dust Shield (sold separately)
*14	046-007-00	2	Adjuster Slot Plug
*16	046-016-00	1	Magnet Wire Grommet
*17	007-251-00	4	Brake Mounting Bolt
*26	006-129-00	4	Hex Nut
*27	005-058-00	4	Lock Washer
28	005-142-00	1	Washer

* Not included with complete brake assembly. Item sold separately.

Brakes manufactured after May 2000 use the cast backing plate

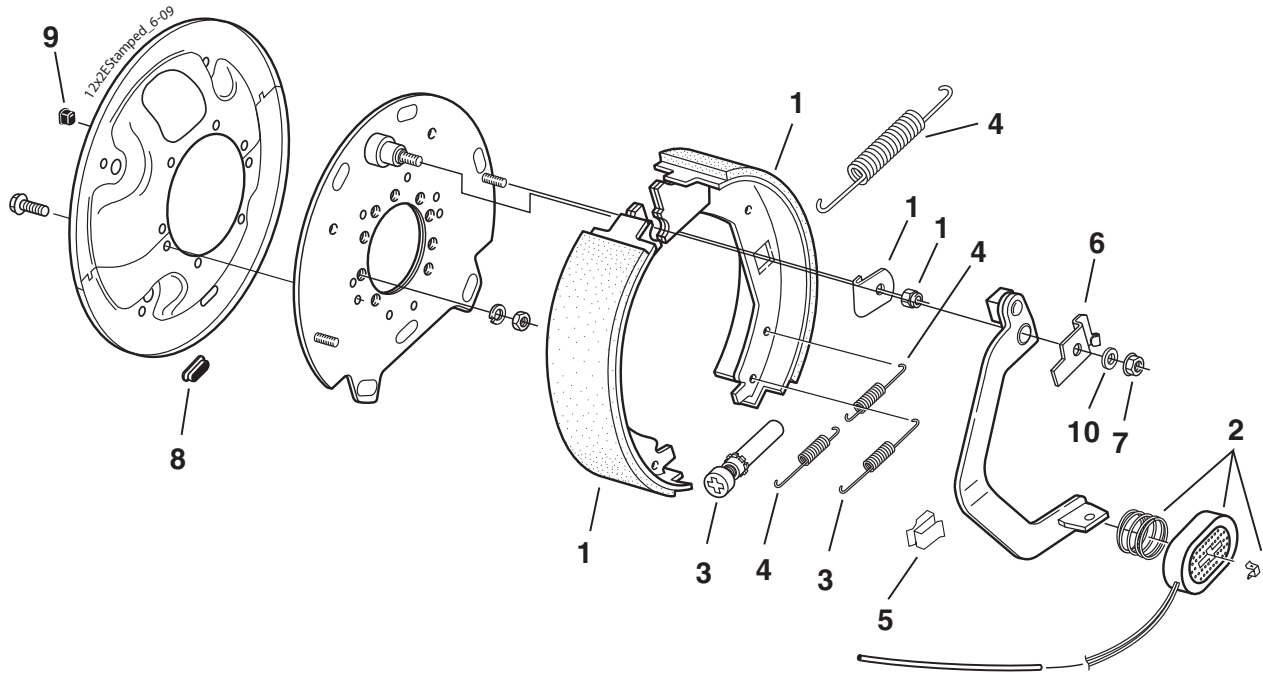
12¼" x 2½" Electric Brake – Stamped Backing Plate



Service Parts Only

CSA approved at 7100#/14.2 SLR

7200 LBS. CAPACITY



Electric Brake – Service Parts Only

Item	Part No.	Qty/Brk	Description
0	023-369-00	1	RH Complete Brake Assembly (obsolete-no longer available)
0	023-370-00	1	LH Complete Brake Assembly (obsolete-no longer available)
1	K71-410-00	1	Shoe & Lining Kit Contains: 1 #040-310-01 RH Primary S&L or LH Secondary S&L 1 #040-309-01 LH Primary S&L or RH Secondary S&L 2 #005-107-00 Shoe Hold Down Washer 2 #006-127-00 Locknut
2	K71-378-00	1	Magnet Kit Contains: 1 #042-131-00 Magnet (red/black wire after 6/17) 1 #027-050-00 Magnet Retainer 1 #046-117-00 Magnet Spring
3	K71-411-00	1	Adjusting Screw Kit Contains: 1 #046-018-00 Adjuster Spring (red) 1 #046-017-00 Adjuster Assembly
4	K71-412-00	1	Brake Spring Kit Contains: 1 #046-119-00 Shoe Return (gray) 1 #046-117-00 Magnet Spring 2 #046-120-00 Centering Spring 1 #046-018-00 Adjuster Spring (red)
5	027-039-00	3	Wire Clip
6	071-455-01	1	LH Lever Arm Retainer
6	071-455-02	1	RH Lever Arm Retainer
7	006-092-01	1	Flange Nut
8	046-007-00	2	Adjuster Slot Plug
9	046-016-00	1	Magnet Wire Grommet
10	005-142-00	1	Washer

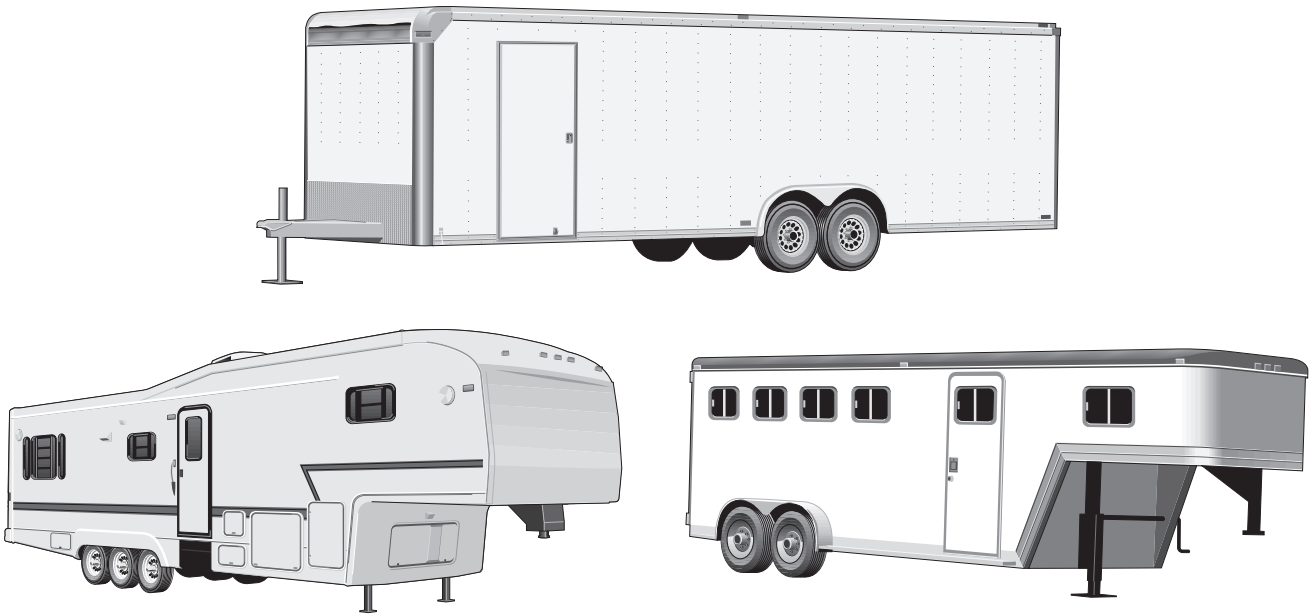
Note: Only numbered items are available.

Brakes manufactured before May 2000 use the stamped backing plate

AIRFLEX® Light Trailer Suspension System

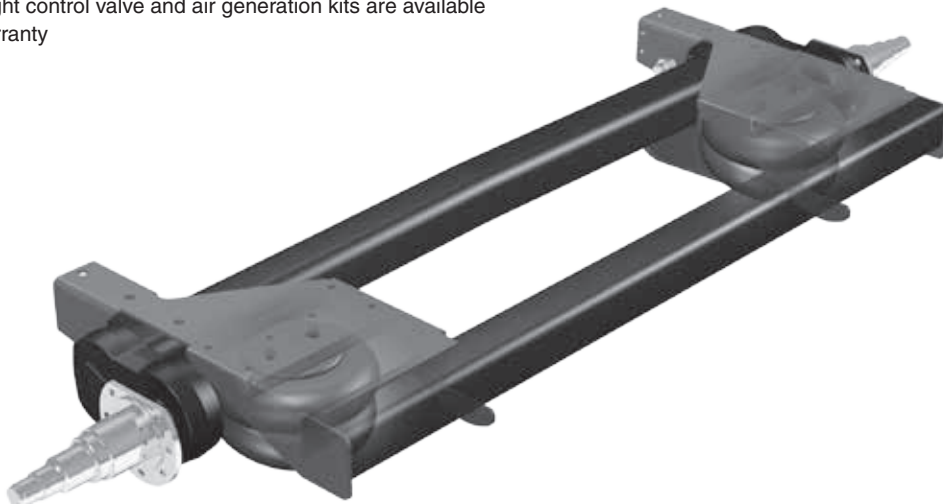


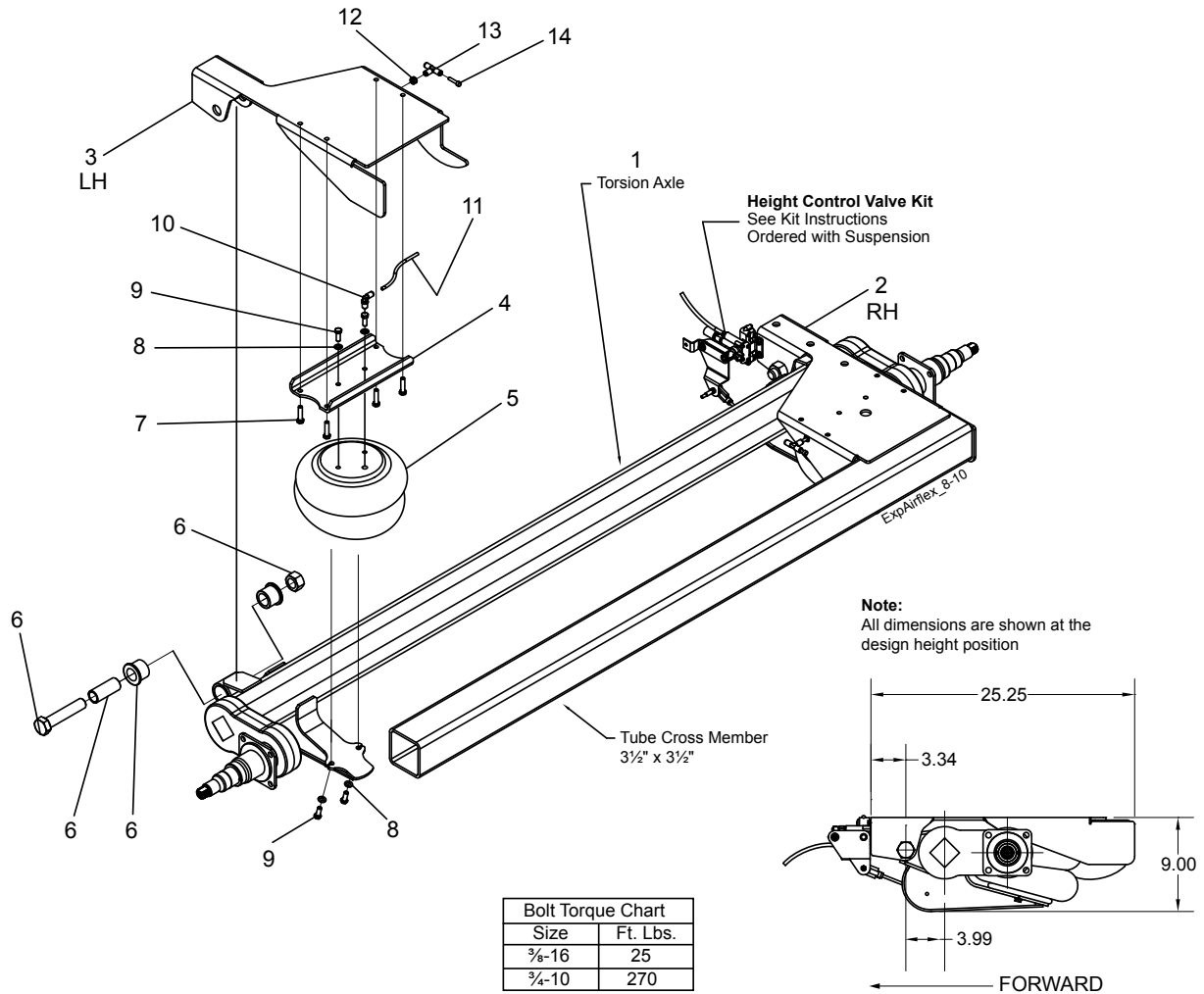
7200 LBS. CAPACITY



Smooth Out the Roughest Roads

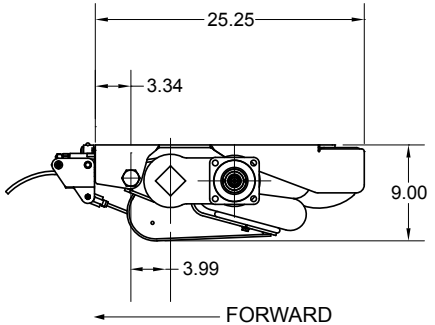
- Soft Ride – New hybrid suspension combines air and rubber torsion for an excellent ride
- Independent – Ride and stability improve with independent wheel action
- Equalizing – Axle-to-axle load equalization allows use on triple axle trailers
- Reliable – Rubber cushions ride even if air is not available
- Maintains constant ride height for the ultimate ride
- Fully assembled for easy installation
- Adjustable axle alignment feature
- Available for single, tandem or triple axle applications
- Optional ride height control valve and air generation kits are available
- 2 year limited warranty





Bolt Torque Chart	
Size	Ft. Lbs.
3/8-16	25
3/4-10	270

Note:
All dimensions are shown at the design height position



AIRFLEX® Suspension Components 7200#

Item	Part No.	Qty/Axle	Description
1	n/a	1	Torsion Axle with Suspension Brackets
2	003-327-00	1	RH Frame Bracket
3	003-326-00	1	LH Frame Bracket
4	003-323-00	2	Channel, Air Spring Support
5	W01-358-6947	2	Firestone Air Spring
6	K71-734-00	1	Airflex Pivot Bushing Replacement Kit Contains:
		2	#006-287-00 Nut, Hex Locking
		2	#007-466-00 Bolt, Hex
		2	#014-123-00 Pivot Bushing Assembly
		2	#014-127-00 Pivot Bushing Spacer
7	n/a	8	3/8-16 UNC x 1.5" LG HHCS
8	n/a	8	3/8 Regular Split Lock Washer
9	n/a	8	3/8-16 UNC x 1" LG HHCS
10	n/a	2	1/4 NPTM x 1/4 T 90° Elbow, Swivel
11	n/a	2	1/4 x 6.25" LG Nylon Tube
12	n/a	2	Grommet
13	n/a	2	1/4 T Union Tee
14	n/a	2	1/4 T Plug
Air Supply Kits			
ns	K71-692-01	-	Ride Height Control Kit
ns	K71-692-02	-	Air Supply and Control Kit
ns	K71-692-03	-	Air Control Kit Without Air Supply
ns	059-809-00	-	Installation Instructions (available on Dexter website)

n/a - not available

ns - not shown

General Applications



Axle Types

8000 Lbs. Capacity

- Complete service manual
- Precision machined steel spindles and integral cast iron hub/drums
- Standard oil bath lubrication; grease or Nev-R-Lube® option
- Press-in wheel studs, 1/16" or 5/8"
- Hydraulic brakes are available with and without parking feature
- Hydraulic brakes – uni-servo and duo-servo available
- Hydraulic disc brakes available
- 12 1/4" x 3 3/8" electric brakes CSA approved at 8,000 lbs.
- 12 1/4" x 3 3/8" self adjusting electric and hydraulic brakes
- Inner wiring system for easier installation and protection of brake wiring
- Heavy wall 3 1/2" diameter tube
- Straight or Drop spindles (4" drop only)
- High quality alloy steel springs in a variety of capacities
- Single, tandem or triple axle assemblies with equalized suspensions



D80 LEAF SPRING



- Slipper leaf spring suspension
- Heavy duty suspension parts available
- Optional rubber bushed suspension
- Optional hanger and attaching parts kits available
- Durable, wear-resistant components
- 5 year limited warranty

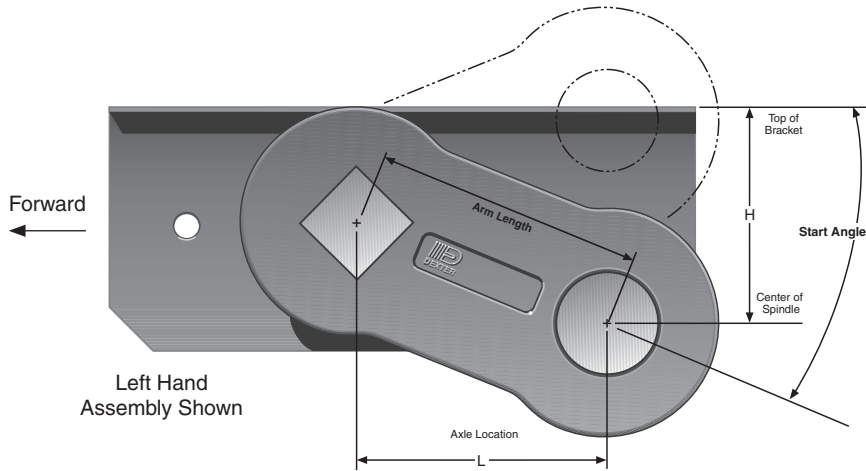
- Totally rubber-cushioned for smooth, quiet, independent ride
- Easy installation with less maintenance
- Less transfer of road shock which insulates cargo from road shocks and vibration
- Rubber cords compounded for maximum dependability and durability
- Load-carrying cross member
- Self-damping action
- Independent wheel suspension system
- 10 year limited warranty on Torflex® suspension system
- Low profile for maximum road clearance
- Various starting angles to control trailer height
- High and low profile brackets with optional mounting brackets are available
- Rubber cushioning eliminates metal-to-metal contact
- Shock absorption provided by the natural hysteresis of rubber
- Single or tandem axle assemblies
- Durable, wear-resistant components

CAUTION: Triple axle assemblies are NOT recommended for #13 Torflex® axles, however the #13T axle is designed for triple applications.



Articulation Dimensions

Dimensions are for top mount only. Side mount is .31" higher. Allow 3" bump clearance from full load.



Note: #13T is not available with low profile

		No	Load	Full	Load	Shock	Load
Start Angle	Bracket Profile	H	L	H	L	H	L
45° Down	Low	6.49	4.24	4.55	5.54	3.42	5.88
	High	7.18	4.24	5.24	5.54	4.11	5.88
32° Down	Low	5.43	5.09	3.24	5.92	2.07	6.00
	High	6.12	5.09	3.93	5.92	2.76	6.00
22.5° Down	Low	4.55	5.54	2.25	6.00	1.08	5.88
	High	5.24	5.54	2.94	6.00	1.77	5.88
10° Down	Low	3.29	5.91	0.95	5.86	-0.17	5.49
	High	3.98	5.91	1.64	5.86	0.52	5.49
0°	Low	2.25	6.00	-0.05	5.54	-1.08	4.99
	High	2.94	6.00	0.64	5.54	-0.39	4.99
10° Up	Low	1.21	5.91	-0.97	5.06	-1.90	4.33
	High	1.90	5.91	-0.28	5.06	-1.21	4.33
22.5° Up	Low	-0.05	5.54	-1.99	4.24	-2.74	3.33
	High	0.64	5.54	-1.30	4.24	-2.05	3.33

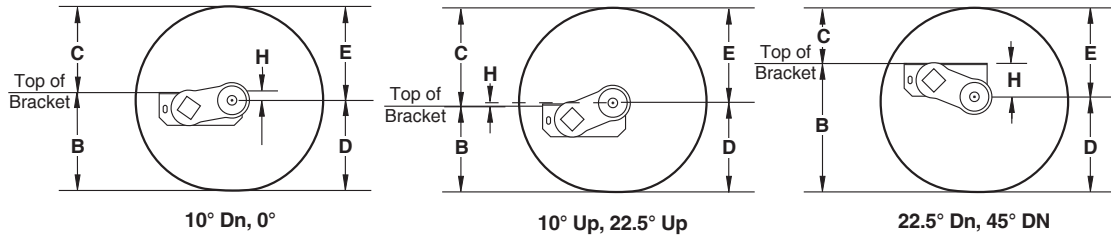
H = Height
L = Length

Note: Positive numbers in the H column indicate the spindle is BELOW the top of the bracket. Conversely, negative numbers are ABOVE the top of the bracket.



Full Load Dimensions

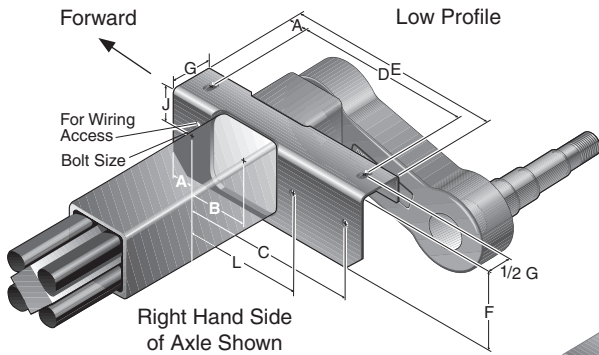
Dimensions are for low profile, top mount only. High profile brackets are .75" higher. Side mount is .31" higher. Allow 3" bump clearance from full load.



Start Angle

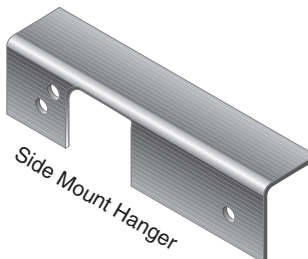
Tire	45° Down					32° Down					22.5° Down		
	D	E	H	B	C	D	E	H	B	C	H	B	C
10R17.5HC	15.6	18.0	4.6	20.2	13.4	15.6	18.0	3.2	18.8	14.8	2.3	17.9	15.7
215/75R17.5	14.0	15.3	4.6	18.6	10.7	14.0	15.3	3.2	17.2	12.1	2.3	16.3	13.0
12-16.5LT	14.9	15.8	4.6	19.5	11.2	14.9	15.8	3.2	18.1	12.6	2.3	17.2	13.5
9.50-16.5LT	14.1	15.2	4.6	18.7	10.6	14.1	15.2	3.2	17.3	12.0	2.3	16.4	12.9
9R17.5HC	15.4	17.1	4.6	20.0	12.5	15.4	17.1	3.2	18.6	13.9	2.3	17.7	14.8

Tire	10° Down			0°			10° Up			22.5° Up		
	H	B	C	H	B	C	H	B	C	H	B	C
10R17.5HC	1.0	16.6	17.0	-0.1	15.5	18.1	-1.0	14.6	19.0	-2.0	13.6	20.0
215/75R17.5	1.0	15.0	14.3	-0.1	13.9	15.4	-1.0	13.0	16.3	-2.0	12.0	17.3
12-16.5LT	1.0	15.9	14.8	-0.1	14.8	15.9	-1.0	13.9	16.8	-2.0	12.9	17.8
9.50-16.5LT	1.0	15.1	14.2	-0.1	14.0	15.3	-1.0	13.1	16.2	-2.0	12.1	17.2
9R17.5HC	1.0	16.4	16.1	-0.1	15.3	17.2	-1.0	14.4	18.1	-2.0	13.4	19.1



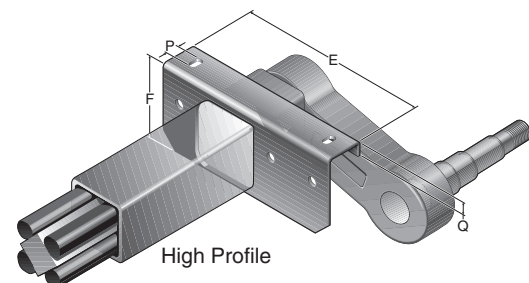
#13 Bracket Dimensions

	Low	High
A	1.22	1.22
B	3.63	3.63
C	10.56	10.56
D	10.56	10.56
E	13.00	13.00
F	4.81	5.50
G	2.50	2.50
J	2.25	2.25
L	7.26	7.26
P	----	1.00
Q	----	1.00
Bolt Size	5/8" bolt	
Tube Size	3.88	3.88



#13 Overhang Per Side

Spindle	Min.	Max.
Short	8.50"	21.50"
Standard	9.00"	21.50"



#13T Overhang Per Side

Spindle	Min.	No Bracket Zone	Max.
Short	8.56"	10.13" - 10.75"	11.75"
Standard	9.25"	10.63" - 11.25"	12.25"

Leaf Spring Application Information



8000 LBS. CAPACITY

Double Eye Springs

For Standard 33" Axle Spacing

Single A/P-122-00
Tandem A/P-233-00
Triple A/P-335-00

Spring Length

	21"	24"	26"
A	19.62	23.50	25.75
B	25.00	27.50	29.50
C	28.75	31.00	33.00
D	10.62	12.00	13.00
E	28.75	31.00	33.00

For Optional 35" Axle Spacing

Tandem A/P-264-00
Triple A/P-364-00

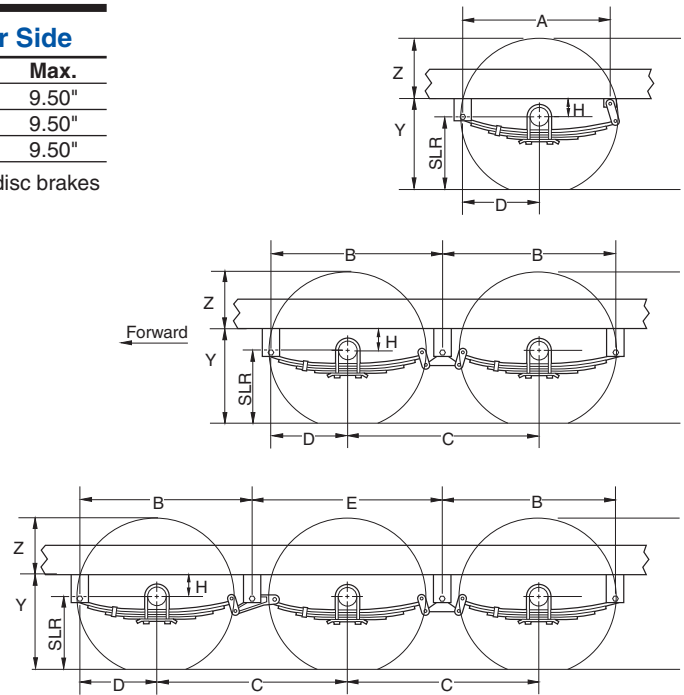
Spring Length

	21"	24"	26"
B	26.00	28.50	30.50
C	30.80	33.00	35.00
D	10.62	12.00	13.00
E	30.80	33.00	35.00

D80 Overhang Per Side

	Min.	Max.
Straight	8.00"	9.50"
4" Drop	9.00"	9.50"
Nev-R-Lube®	8.00"	9.50"

* Minimum overhang with disc brakes



Double Eye Axle Assemblies

Hanger Kits

Part No.	Description	Height	Quantity Per Kit			
			HGR-105-00	HGR-271-00	HGR-274-00	HGR-371-00
028-070-00	Hanger	4.25"	----	6	----	8
028-006-00	Front Hanger	1.44"	2	----	----	----
028-010-01	Front Hanger	5.00"	----	----	6	----
030-020-00	Rear Hanger	.91"	----	----	----	----

Attaching Parts Kits

Part No.	Description	Quantity Per Kit				
		A/P-122-00	A/P-233-00	A/P-264-00†	A/P-335-00	A/P-364-00†
006-092-01	Flange Locknut	6	14	14	22	22
007-126-00	Shackle Bolt	2	6	6	10	10
013-104-02	Equalizer	----	2	----	2	----
013-105-02	Equalizer	----	----	----	2	----
013-122-02	Equalizer	----	----	2	----	2
013-126-02	Equalizer	----	----	----	----	2
018-011-00	Shackle Link	----	4	4	6	6
018-012-00	Shackle Link, Long	2	----	----	----	----
018-020-00	Shackle Link Assembly	----	4	4	6	6
018-021-00	Shackle Link Assembly, Long	2	----	----	----	----

† For 35" axle spacing using 26" springs

Leaf Spring Application Information



Slipper Spring Axle Assemblies

Hanger Kits			Quantity Per Kit		
Part No.	Description	Height	HGR-138-00	HGR-238-00	HGR-338-00
028-009-01	Front Hanger	5.00"	2	2	2
029-005-01	Center Hanger	4.50"	----	2	4
030-006-01	Rear Hanger	6.38"	2	2	2

Attaching Parts Kits		A/P-103-00	A/P-202-00 [§]	A/P-216-00 [‡]	A/P-302-00 [§]	A/P-316-00 [‡]
Part No.	Description					
006-007-01	5/16-18 Locknut	2	4	4	6	6
006-011-00	Keeper Nut	2	4	4	6	6
006-111-00	Equalizer Nut	----	2	2	4	4
007-001-01	Equalizer Bolt	----	2	2	4	4
007-007-00	Keeper Bolt	2	4	4	6	6
007-017-00	Spring Eye Bolt	2	4	4	6	6
013-004-00	Equalizer	----	2	----	4	----
013-044-01	Equalizer	----	----	2	----	4

§ For 33.5" axle spacing

‡ For 36" axle spacing

Slipper Springs

	Single A/P-103-00	Tandem A/P-202-00 [§] A/P-216-00 [‡]	Triple A/P-302-00 [§] A/P-316-00 [‡]
A	24.0	----	----
B	----	28.8	28.8
C	----	33.5	33.5
D	11.5	11.5	11.5
E	----	----	33.0

Note: All 2" wide slipper springs

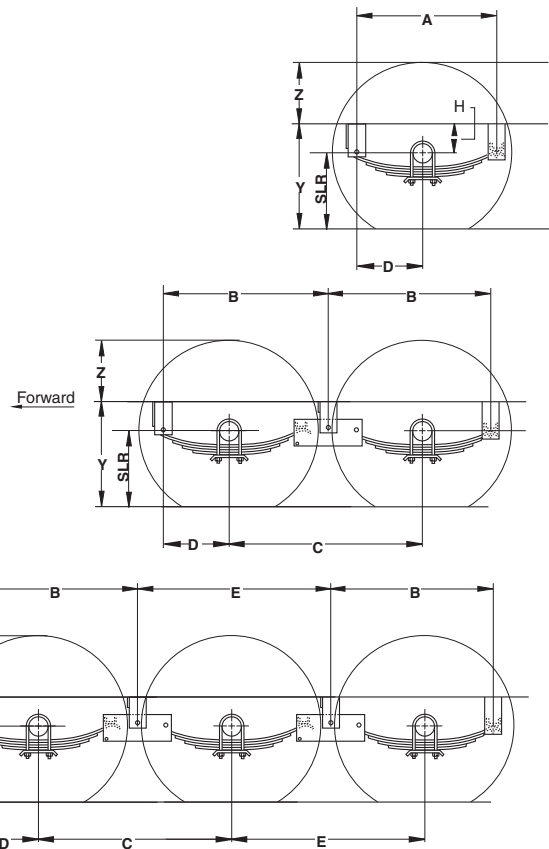
§ For 33.5" axle spacing

‡ For 36" axle spacing

A, B, E – Hanger Spacing
 C – Axle Spacing
 D – Axle Location
 H – Center of Spindle
 Y – Frame Height
 Z – Top of Tire to Bottom of Frame
 SLR – Static Load Radius

To determine these values, contact your local sales engineer or distributor to run ProSpec™.

Some combinations of hangers and spring mountings may result in insufficient bump clearance. Refer to the Miscellaneous section for additional hanger kits, A/P kits, or other tires.



D80 Overhang Per Side

	Min.	Max.
Straight	8.00"	9.50"
4" Drop	9.00"	9.50"

Single Axles

require 1 HAP-105-00 kit

Tandem Axles

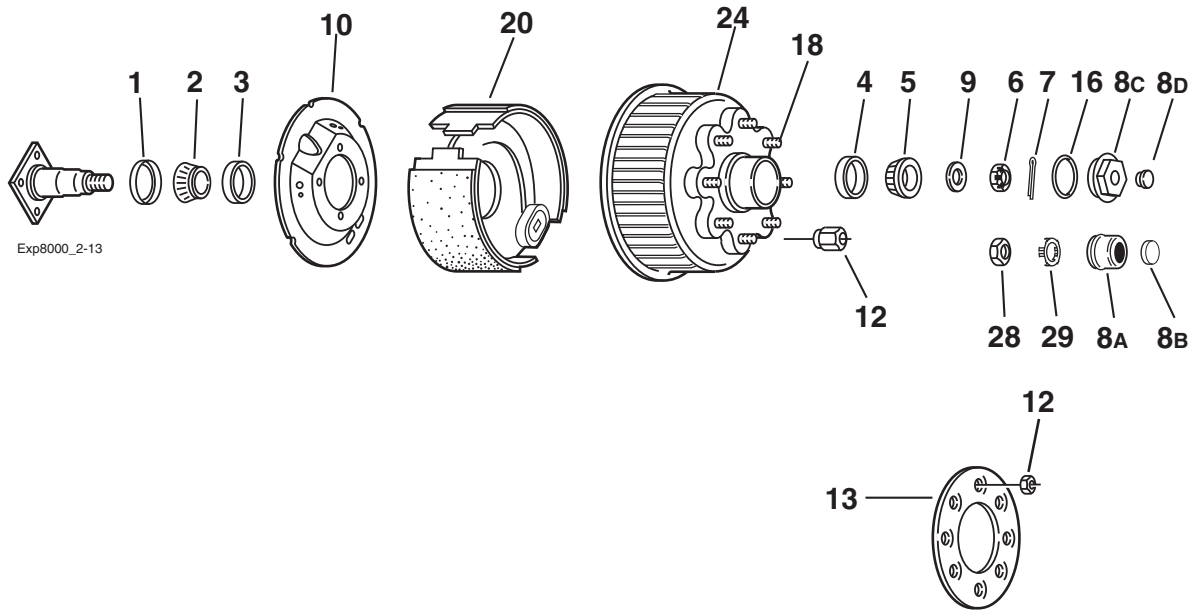
require 1 HAP-105-00 kit and 1 HAP-205-01 kit

Triple Axles

require 1 HAP-105-00 kit and 2 HAP-205-01 kits

Rubber Bushed Suspension

Part No.	Description	Height	HAP-105-00	HAP-205-01
028-068-02	Front Hanger	5.50"	2	----
029-039-04	Center Hanger	4.50"	----	2
030-068-02	Rear Hanger	4.85"	2	----
006-011-00	5/16-18 UNC Locknut	----	2	2
006-038-00	5/8-11 UNC Locknut	----	2	2
006-112-00	1-8 UNC Locknut	----	----	2
007-007-00	Keeper Bolt	----	2	2
007-181-00	Spring Eye Bolt	----	2	2
007-182-00	Equalizer Bolt	----	----	2
013-117-03	Equalizer	----	----	2
059-200-00	Decal	----	1	1
059-203-00	Instruction Sheet	----	1	1



Grease Lube Parts

Item	Part No.	Description
1	010-036-00	Seal
2	031-030-02	25580 Inner Bearing Cone
3	031-030-01	25520 Inner Bearing Cup
4	031-028-01	02420 Outer Bearing Cup
5	031-028-02	02475 Outer Bearing Cone
6	006-176-00	Spindle Nut
7	019-002-00	Cotter Pin (not used with E-Z Lube®)
ns	021-039-00	Grease Cap
8A	021-043-01	Grease Cap for E-Z Lube®
8B	085-001-00	E-Z Lube® Rubber Plug
9	005-057-00	Spindle Washer
28	006-191-00	Special Jam Nut for E-Z Lube® (after 2002)
29	006-190-00	Spindle Nut Retainer for E-Z Lube® (after 2002)

Oil Lube Parts

Item	Part No.	Description
1	010-063-00	Seal (Unitized)
2	031-030-02	25580 Inner Bearing Cone
3	031-030-01	25520 Inner Bearing Cup
4	031-028-01	02420 Outer Bearing Cup
5	031-028-02	02475 Outer Bearing Cone
6	006-176-00	Spindle Nut
7	019-002-00	Cotter Pin
8C	021-035-00	Oil Cap
8D	046-032-00	Oil Cap Plug
9	005-057-00	Spindle Washer
ns	046-052-00	Oil Filler Plug (service part only)
16	010-045-00	'O' Ring for Oil Lube

ABS Components

Part No.	Description
097-004-00	Sensor, Straight
024-204-00	Sensor Block, Screw-In
097-002-00	Sensor Retainer Clip
024-205-01	Sensor Tone Ring

Note: Spindle is not available for resale.

12¼" x 3⅜" Brakes

Item	Part No.	Description
10	036-115-20	Dust Shield
10	036-115-24	Dust Shield for brakes with park
20	K23-434-00/K23-435-00	LH/RH Electric Self-Adjust
ns	K23-432-00/K23-433-00	LH/RH Electric Manual Adjust
ns	K23-402-00/K23-403-00	LH/RH Hydraulic Self-Adjust Duo-Servo
ns	K23-171-00/K23-172-00	LH/RH Hyd. Self-Adj Duo-Servo w/Park
ns	K23-418-00/K23-419-00	LH/RH Hydraulic Uni-Servo
ns	K23-252-00/K23-253-00	LH/RH Hydraulic Uni-Servo w/Park
ns	K23-420-00/K23-421-00	LH/RH Self Adj. DS Corrosion Resistant
ns	K23-388-00/K23-387-00	LH/RH Hyd. Manual Adjust Duo-Servo

Hubs

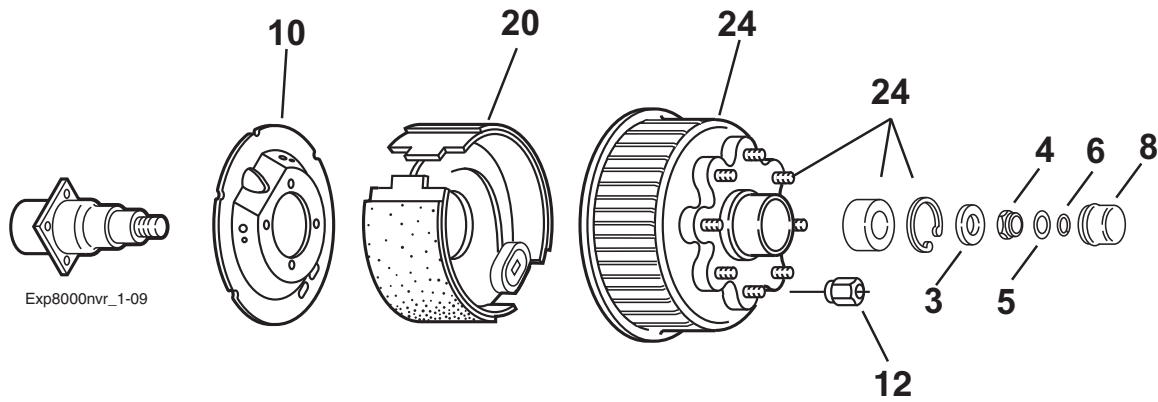
Item	Part No.	Description	Bolt Circle
Hubs and Drums			
24	008-285-08	Grease ⅝" Stud	8 on 6.50
24	008-285-15	Grease ⅝" Stud ABS	8 on 6.50
24	008-285-11	Grease ⅝" Stud	8 on 6.50
24	008-285-13	Grease ⅝" Stud ABS	8 on 6.50
24	008-285-10	Oil ⅝" Stud	8 on 6.50
24	008-285-14	Oil ⅝" Stud ABS	8 on 6.50
24	008-285-09	Oil ⅝" Stud	8 on 6.50
24	008-285-12	Oil ⅝" Stud ABS	8 on 6.50
Plain Hubs			
ns	008-287-07	Grease ⅝" Stud	8 on 6.50
ns	008-287-11	Grease ⅝" Stud	8 on 6.50
ns	008-287-14	Oil ⅝" Stud	8 on 6.50
ns	008-287-17	Oil ⅝" Stud	8 on 6.50

Studs & Wheel Nuts

Item	Part No.	Description	Nut Torque
12	006-053-00	⅝-18 60° Cone Nut	
*12	006-109-00	⅝-18 90° Cone Nut	200 lbs.-ft
*13	033-052-01	Clamp Ring	
18	007-132-00	⅝-18 Press-in Stud	
18	007-232-00	⅝-18 Press-in Stud	
ns	006-058-00	⅝-18 Flange Nut	

ns - not shown

* Must use the 90° cone nut with the clamp ring. Alternate fastener is just the flange nut.



Nev-R-Lube® Parts 50MM

Item	Part No.	Description
3	005-149-00	Spindle Washer
4	006-183-00	Spindle Nut
5	092-002-00	Washer, Torque Label
6	069-096-00	Snap Ring
8	021-086-00	Grease Cap

12¼" x 3⅜" Brakes

Item	Part No.	Description
10	036-115-20	Dust Shield
10	036-115-24	Dust Shield for brakes with park
20	K23-434-00/K23-435-00	LH/RH Electric Self-Adjust
ns	K23-402-00/K23-403-00	LH/RH Hydraulic Self-Adjust Duo-Servo
ns	K23-171-00/K23-172-00	LH/RH Hyd. Self-Adj Duo-Servo w/Park
ns	K23-418-00/K23-419-00	LH/RH Hydraulic Uni-Servo
ns	K23-252-00/K23-253-00	LH/RH Hydraulic Uni-Servo w/Park

ABS Hubs Without Bearing

Item	Part No.	Description	Bolt Circle
24	008-389-09	Grease ⅝" Stud ABS	8 on 6.50
24	008-389-12	Grease ⅞" Stud ABS	8 on 6.50

Note: Spindle is not available for resale.

Hubs With Bearing and Wheel Studs

Item	Part No.	Description	Bolt Circle
24	008-389-81	Hub and Drum includes: 007-223-00 ⅞" Press-in Studs 031-071-03 50mm Bearing Cartridge 069-093-00 Bearing Retainer	8 on 6.50
ns	008-389-80	Hub and Drum includes: 007-224-00 ⅞" Press-in Studs 031-071-03 50mm Bearing Cartridge 069-093-00 Bearing Retainer	8 on 6.50

Wheel Nuts

Item	Part No.	Description
12	006-053-00	⅞-18 60° Cone Nut
ns	006-109-00	⅞-18 90° Cone Nut

ABS Components

Part No.	Description
097-004-00	Sensor, Straight
024-204-00	Sensor Block, Screw-In
097-002-00	Sensor Retainer Clip

ns - not shown

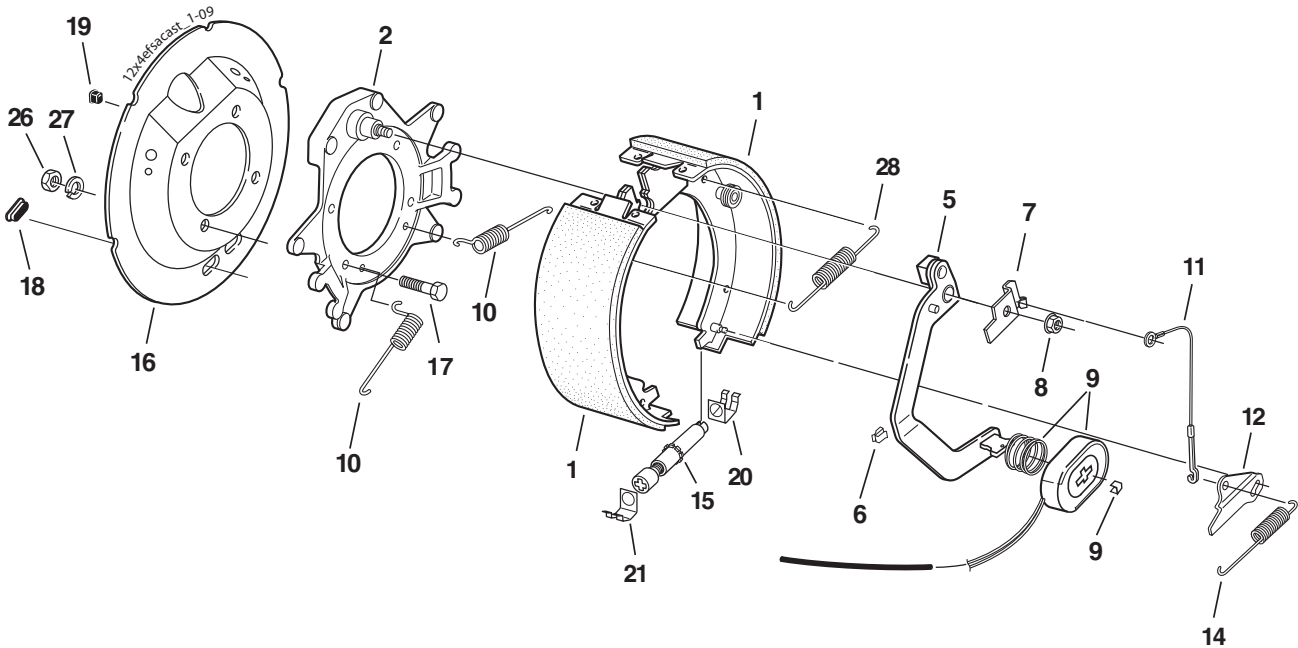
12¼" x 3⅜" 8K Electric Brake FSA



Cast Backing Plate

CSA approved at 8000#/14.2 SLR

8000 LBS. CAPACITY



Electric Brake

Item	Part No.	Qty/Brk	Description
0	K23-434-00	1	LH Complete Brake Assembly (shown)
0	K23-435-00	1	RH Complete Brake Assembly
1	K71-499-00	1	LH Shoe & Lining Kit Contains: 1 #040-350-01 LH Primary Shoe & Lining 1 #040-351-02 LH Secondary Shoe & Lining
1	K71-498-00	1	RH Shoe & Lining Kit Contains: 1 #040-351-01 RH Primary Shoe & Lining 1 #040-350-02 RH Secondary Shoe & Lining
2	036-119-02	1	Backing Plate Assembly
5	047-123-38	1	LH Actuating Arm Assembly
5	047-123-37	1	RH Actuating Arm Assembly
6	027-039-00	3	Wire Clip
7	071-455-01	1	LH Arm/Shoe Retainer
7	071-455-02	1	RH Arm/Shoe Retainer
8	006-092-01	1	Flange Nut
9	K71-378-00	1	Magnet Kit Contains: 1 #042-131-00 Magnet (red/black wire after 6/17) 1 #027-050-00 Magnet Retainer Clip 1 #046-117-00 Magnet Spring
10	046-136-00	2	Centering Spring
11	071-462-00	1	Adjuster Cable
12	071-464-00	1	LH Adjuster Lever
12	071-463-00	1	RH Adjuster Lever
14	046-137-00	1	Adjuster Spring
15	048-019-00	1	LH Adjuster Assembly (silver)
15	048-020-00	1	RH Adjuster Assembly (gold)
*16	036-115-20	1	Dust Shield
*17	007-097-00	4	Brake Mounting Bolt
*18	046-007-00	2	Adjuster Slot Plug
*19	046-016-00	1	Wire Grommet
20	046-133-00	1	Adjuster Clip (barrel end)
21	046-132-00	1	Adjuster Clip (thread end)
*26	006-129-00	4	Brake Mounting Nut
*27	005-058-00	4	Lock Washer
28	046-119-00	1	Return Spring

* Not included with complete brake assembly. Item sold separately.

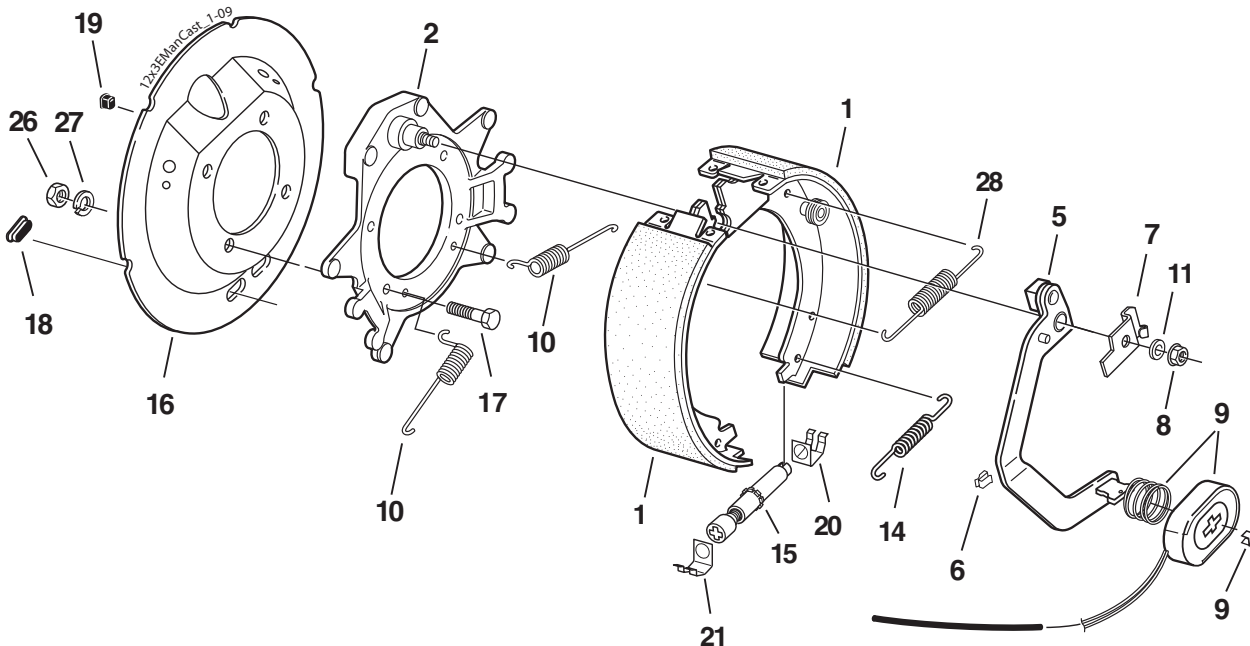
Brakes manufactured after April 2000 use the cast backing plate (not shown)

12¼" x 3⅜" 8K Electric Brake Manual Adjust



Cast Backing Plate

CSA approved at 8000#/14.2 SLR



Electric Brake

Item	Part No.	Qty/Brk	Description
0	K23-432-00	1	LH Complete Brake Assembly (shown)
0	K23-433-00	1	RH Complete Brake Assembly
1	K71-499-00	1	LH Shoe & Lining Kit Contains: 1 #040-350-01 LH Primary Shoe & Lining 1 #040-351-02 LH Secondary Shoe & Lining
1	K71-498-00	1	RH Shoe & Lining Kit Contains: 1 #040-351-01 RH Primary Shoe & Lining 1 #040-350-02 RH Secondary Shoe & Lining
2	036-119-02	1	Backing Plate Assembly
5	047-123-18	1	LH Actuating Arm Assembly
5	047-123-17	1	RH Actuating Arm Assembly
6	027-039-00	3	Wire Clip
7	071-455-01	1	LH Arm/Shoe Retainer
7	071-455-02	1	RH Arm/Shoe Retainer
8	006-092-01	1	Flange Nut
9	K71-378-00	1	Magnet Kit Contains: 1 #042-131-00 Magnet (red/black wire after 6/17) 1 #027-050-00 Magnet Retainer Clip 1 #046-117-00 Magnet Spring
10	046-136-00	2	Centering Spring
11	005-142-00	1	Washer
14	046-018-00	1	Adjuster Spring
15	048-017-00	1	Adjuster Assembly
*16	036-115-20	1	Dust Shield
*17	007-097-00	4	Brake Mounting Bolt
*18	046-007-00	2	Adjuster Slot Plug
*19	046-016-00	1	Wire Grommet
20	046-132-00	1	Adjuster Clip (thread end)
21	046-133-00	1	Adjuster Clip (barrel end)
*26	006-129-00	4	Brake Mounting Nut
*27	005-058-00	4	Lock Washer
28	046-119-00	1	Return Spring

* Not included with complete brake assembly. Item sold separately.

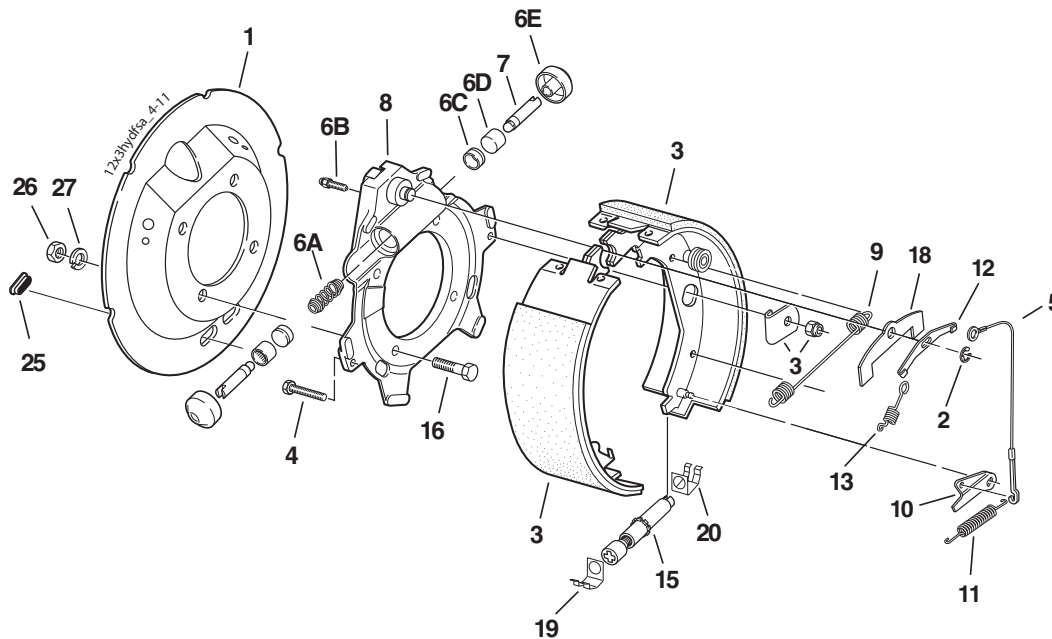
Brakes manufactured before April 2000 use the stamped backing plate

12¼" x 3⅜" 8K Hydraulic Brake FSA



ABS Parts Available

8000 LBS. CAPACITY



Hydraulic Brake

Item	Part No.	Qty/Brk	Description
+0	K23-418-00	1	LH Complete Brake Assembly FSA US
+0	K23-419-00	1	RH Complete Brake Assembly FSA US
0	K23-402-00	1	LH Complete Brake Assembly FSA DS (shown)
0	K23-403-00	1	RH Complete Brake Assembly FSA DS
*1	036-115-20	1	Dust Shield
2	069-053-00	1	Retainer
3	K71-165-00	1	LH Shoe & Lining Kit Contains: 1 #040-199-01 LH Primary Shoe & Lining 1 #040-199-02 LH Secondary Shoe & Lining 2 #005-107-00 Shoe Hold Down Washer 2 #006-086-00 Locknut
3	K71-166-00	1	RH Shoe & Lining Kit Contains: 1 #040-200-01 RH Primary Shoe & Lining 1 #040-200-02 RH Secondary Shoe & Lining 2 #005-107-00 Shoe Hold Down Washer 2 #006-086-00 Locknut
4	007-113-00	2	Shoe Hold Down Screw
5	071-462-00	1	Adjuster Cable
6	K71-080-00	1	Wheel Cylinder Kit (1.00" Bore) Contains: 1 #046-130-00 Spring 2 #054-032-00 Boot 2 #054-041-00 Piston 2 #054-085-00 Cup 1 #054-035-00 Bleeder Screw
7	054-033-00	1 or 2	Cylinder Push Rod US (1) DS (2)
8	036-064-06	1	LH Spider Assembly US (incl. items #4, 6, 7)
8	036-064-07	1	RH Spider Assembly US (incl. items #4, 6, 7)
8	036-064-03	1	Spider Assembly (incl. items #4, 6, 7) DS
9	046-087-00	1	Retractor Spring
10	071-464-00	1	LH Adjuster Lever
10	071-463-00	1	RH Adjuster Lever
11	046-135-00	1	LH Adjuster Spring
11	046-134-00	1	RH Adjuster Spring
12	071-456-00	1	Cable Attachment Bracket
13	046-131-01	1	Extension Spring
15	048-019-00	1	LH Adjuster Assembly
15	048-020-00	1	RH Adjuster Assembly
*16	007-097-00	4	Brake Mounting Bolt
18	034-062-00	1	Piston Stop
19	046-132-00	1	Adjuster Clip (thread end)
20	046-133-00	1	Adjuster Clip (barrel end)
*25	046-007-00	2	Adjuster Slot Plug
*26	006-129-00	4	Brake Mounting Nut
*27	005-058-00	4	Lock Washer

Hydraulic Brake – Corrosion Resistant Duo-Servo Only

Item	Part No.	Qty/Brk	Description
0	K23-420-00	1	LH Complete Brake Assembly FSA
0	K23-421-00	1	RH Complete Brake Assembly FSA
*1	036-115-20	1	Dust Shield
2	069-053-00	1	Retainer
3	K71-437-00	1	LH Shoe & Lining Kit Contains: 1 #040-199-05 LH Primary Shoe & Lining 1 #040-199-06 LH Secondary Shoe & Lining 2 #005-107-02 Shoe Hold Down Washer 2 #006-086-00 Locknut
3	K71-438-00	1	RH Shoe & Lining Kit Contains: 1 #040-200-05 RH Primary Shoe & Lining 1 #040-200-06 RH Secondary Shoe & Lining 2 #005-107-02 Shoe Hold Down Washer 2 #006-086-00 Locknut
4	007-113-01	2	Shoe Hold Down Screw
5	071-462-00	1	Adjuster Cable
6A	046-130-00	1	Spring
6B	054-035-00	1	Bleeder Screw
6C	054-085-00	2	Cup
6D	054-083-00	2	Piston
6E	054-032-00	2	Boot
7	054-033-00	2	Cylinder Push Rod
8	036-064-14	1	Spider Assembly (incl. items #4, 6, 7) DS
9	046-087-01	1	Retractor Spring
10	071-464-00	1	LH Adjuster Lever
10	071-463-00	1	RH Adjuster Lever
11	046-135-01	1	LH Adjuster Spring
11	046-134-01	1	RH Adjuster Spring
12	071-456-00	1	Cable Attachment Bracket
13	046-131-02	1	Extension Spring
15	048-019-00	1	LH Adjuster Assembly
15	048-020-00	1	RH Adjuster Assembly
*16	007-097-00	4	Brake Mounting Bolt
18	034-062-02	1	Piston Stop
19	046-132-00	1	Adjuster Clip (thread end)
20	046-133-00	1	Adjuster Clip (barrel end)
*25	046-007-00	2	Adjuster Slot Plug
*26	006-129-00	4	Brake Mounting Nut
*27	005-058-00	4	Lock Washer

* Not included with complete brake assembly. Item sold separately.

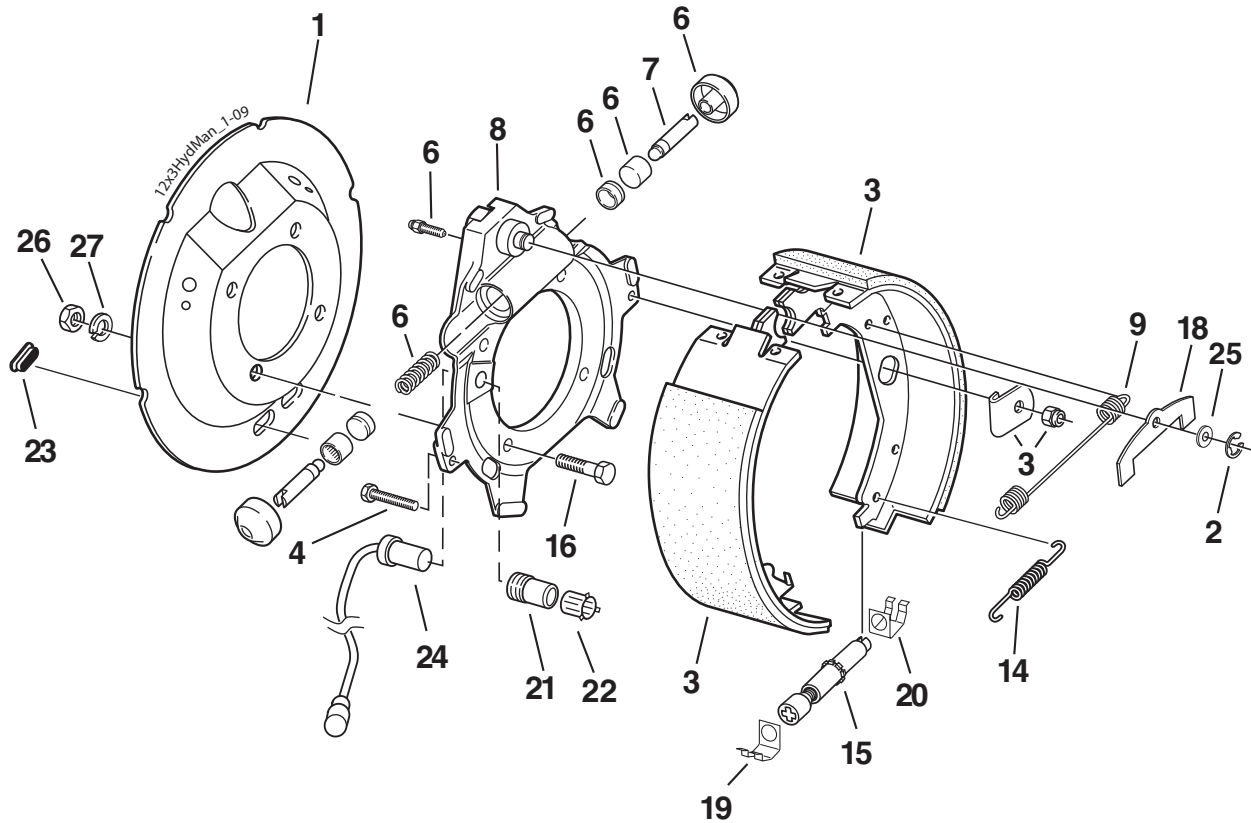
+ Uni-Servo version not shown.

12¼" x 3⅜" 8K Hydraulic Brake Manual Adjust



8000 LBS. CAPACITY

Shown With ABS Parts



Hydraulic Brake

Item	Part No.	Qty/Brk	Description
0	K23-388-00	1	LH Complete Brake Assembly-DS (shown)
0	K23-387-00	1	RH Complete Brake Assembly-DS
*1	036-115-20	1	Dust Shield
2	069-053-00	1	Retainer
3	K71-165-00	1	LH Shoe & Lining Kit Contains: 1 #040-199-01 LH Primary Shoe & Lining 1 #040-199-02 LH Secondary Shoe & Lining 2 #005-107-00 Shoe Hold Down Washer 2 #006-086-00 Locknut
3	K71-166-00	1	RH Shoe & Lining Kit Contains: 1 #040-200-01 RH Primary Shoe & Lining 1 #040-200-02 RH Secondary Shoe & Lining 2 #005-107-00 Shoe Hold Down Washer 2 #006-086-00 Locknut
4	007-113-00	2	Shoe Hold Down Screw
6	K71-080-00	1	Wheel Cylinder Kit (1.00" Bore) Contains: 1 #046-130-00 Spring 2 #054-032-00 Boot 2 #054-041-00 Piston 2 #054-085-00 Cup 1 #054-035-00 Bleeder Screw
7	054-033-00	2	Cylinder Push Rod
8	036-064-03	1	Spider Assembly (incl. items #4, 6, 7)
9	046-087-00	1	Retractor Spring
14	046-018-00	1	Adjuster Spring
15	048-017-00	1	Adjuster Assembly
*16	007-097-00	4	Brake Mounting Bolt

* Not included with complete brake assembly. Item sold separately.

Hydraulic Brake

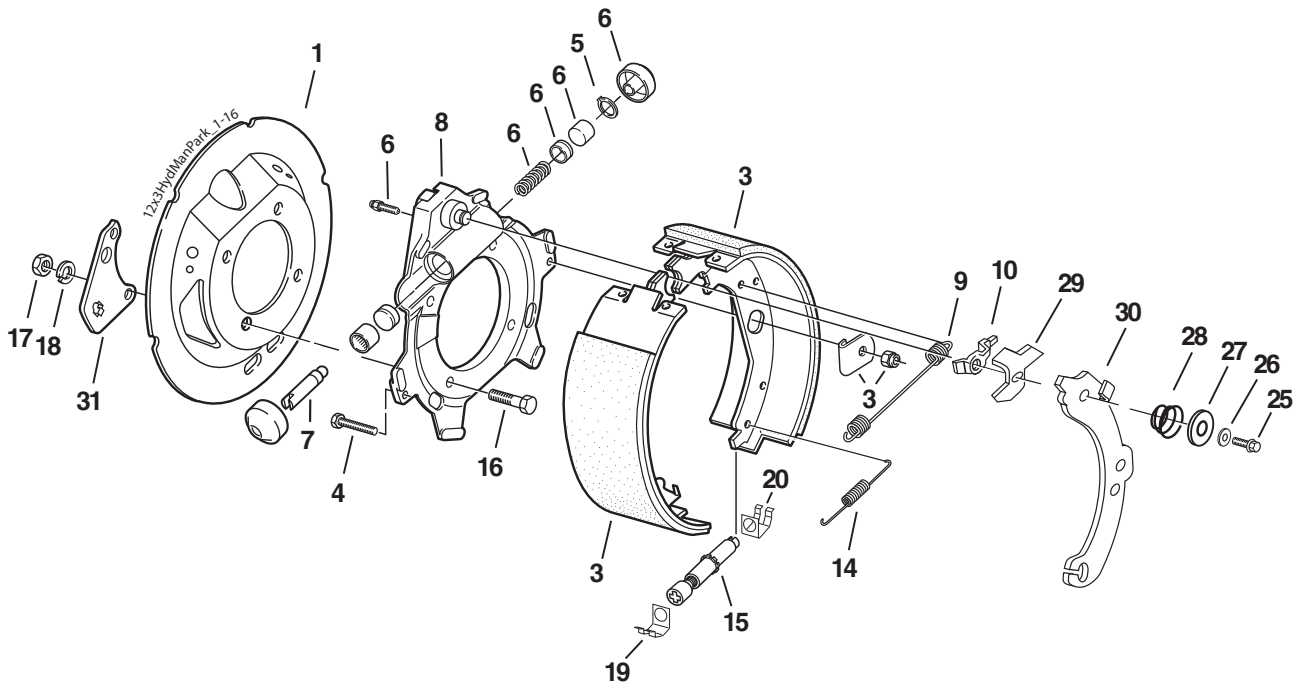
Item	Part No.	Qty/Brk	Description
18	034-062-00	1	Piston Stop
19	046-132-00	1	Adjuster Clip (thread end)
20	046-133-00	1	Adjuster Clip (barrel end)
*21	024-204-00	1	ABS Sensor Mounting Block
*22	097-002-00	1	ABS Sensor Retaining Clip
*23	046-007-00	2	Adjuster Slot Plug
*24	097-004-00	1	ABS Sensor (straight)
25	005-142-00	1	Washer
*26	006-129-00	4	Brake Mounting Nut
*27	005-058-00	4	Lock Washer

12¼" x 3⅜" 8K Hydraulic Brake With Parking Feature (Manual Adjust)



ABS Parts Available

8000 LBS. CAPACITY



Hydraulic Brake

Item	Part No.	Qty/Brk	Description
+0	023-252-00	1	LH Complete Brake Assembly-US, w/park
+0	023-253-00	1	RH Complete Brake Assembly-US, w/park
0	023-171-00	1	LH Complete Brake Assembly-DS SA, w/park, RSA
0	023-172-00	1	RH Complete Brake Assembly-DS SA, w/park, RSA
*1	036-115-24	1	Dust Shield
3	K71-165-00	1	LH Shoe & Lining Kit Contains: 1 #040-199-01 LH Primary Shoe & Lining 1 #040-199-07 LH Secondary Shoe & Lining 2 #005-107-00 Shoe Hold Down Washer 2 #006-086-00 Locknut
3	K71-166-00	1	RH Shoe & Lining Kit Contains: 1 #040-200-01 RH Primary Shoe & Lining 1 #040-200-02 RH Secondary Shoe & Lining 2 #005-107-02 Shoe Hold Down Washer 2 #006-086-00 Locknut
4	007-113-00	2	Shoe Hold Down Screw
5	069-040-00	1	Snap Ring
6	K71-080-00	1	Wheel Cylinder Kit (1.00" Bore) Contains: 1 #046-130-00 Spring 2 #054-032-00 Boot 2 #054-041-00 Piston 2 #054-085-00 Cup 1 #054-035-00 Bleeder Screw
7	054-033-00	2	Cylinder Push Rod-US
8	036-064-08	1	LH Spider Assembly (incl. items #4,5,6,7) US
8	036-064-09	1	RH Spider Assembly (incl. items #4,5,6,7) US
ns	036-064-02	1	LH or RH Spider Assembly (incl. items #4,6,7) US
9	046-087-00	1	Retractor Spring

Hydraulic Brake

Item	Part No.	Qty/Brk	Description
10	033-083-00	1	Spacer
14	046-018-00	1	Adjuster Spring
15	048-017-00	1	Adjuster Assembly
*16	007-097-00	4	Brake Mounting Bolt
*17	006-129-00	4	Brake Mounting Nut
*18	005-058-00	4	Lock Washer
19	046-132-00	1	Adjuster Clip (thread end)
20	046-133-00	1	Adjuster Clip (barrel end)
25	007-096-00	1	Hold Down Lever Bolt
26	005-143-00	1	Star Washer
27	005-065-00	0	Hold Down Lever Washer
28	046-091-00	1	Hold Down Lever Spring
29	039-055-00	1	Parking Cam LH
29	039-056-00	1	Parking Cam RH
30	047-089-00	1	Parking Lever LH
30	047-090-00	1	Parking Lever RH
*31	071-512-00	1	Parking Cable Bracket

* Not included with complete brake assembly. Item sold separately.

+ Uni-servo version not shown.

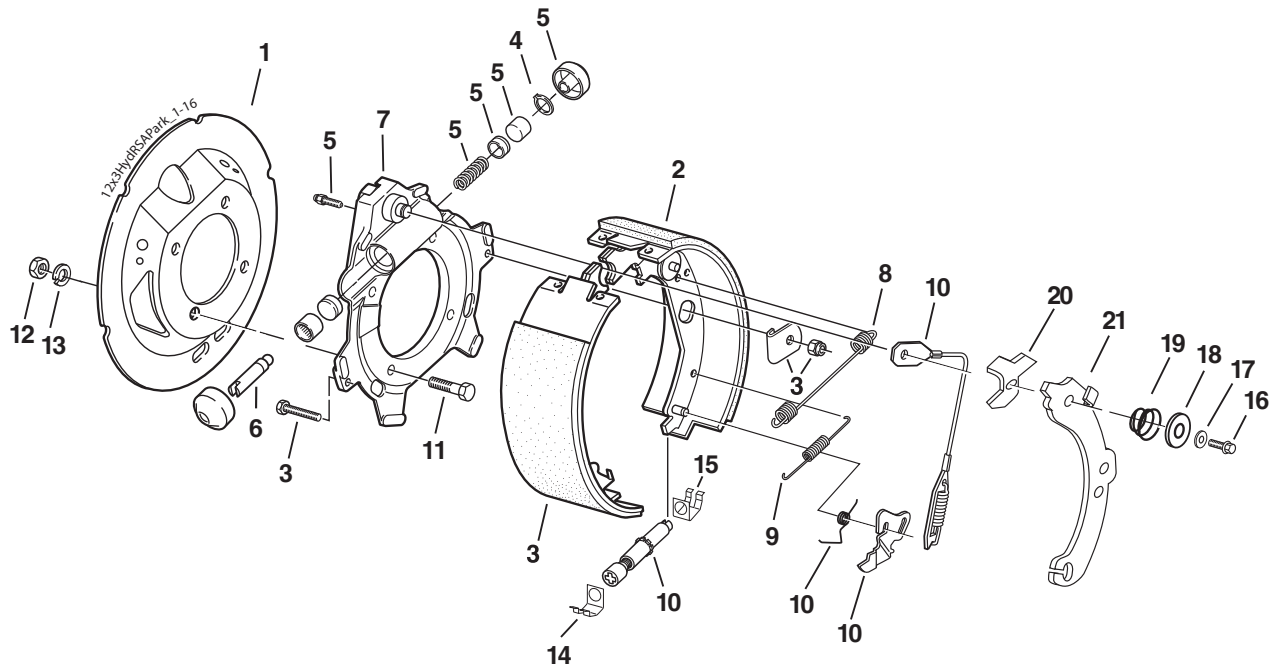
ns - not shown

12¹/₄" x 3³/₈" 8K Hydraulic Brake RSA With Parking Feature



8000 LBS. CAPACITY

ABS Parts Available



Hydraulic Brake

Item	Part No.	Qty/Brk	Description
0	023-171-00	1	LH Complete Brake Assembly-DS SA, w/park, RSA
0	023-172-00	1	RH Complete Brake Assembly-DS SA, w/park, RSA
*1	036-115-24	1	Dust Shield
2	K71-165-00	1	LH Shoe & Lining Kit Contains: 1 #040-199-01 LH Primary Shoe & Lining 1 #040-199-02 LH Secondary Shoe & Lining 2 #005-107-00 Shoe Hold Down Washer 2 #006-086-00 Locknut
2	K71-166-00	1	RH Shoe & Lining Kit Contains: 1 #040-200-01 RH Primary Shoe & Lining 1 #040-200-02 RH Secondary Shoe & Lining 2 #005-107-02 Shoe Hold Down Washer 2 #006-086-00 Locknut
3	007-113-00	2	Shoe Hold Down Screw
4	069-040-00	1	Snap Ring (for Uni-servo only)
5	K71-080-00	1	Wheel Cylinder Kit (1.00" Bore) Contains: 1 #046-130-00 Spring 2 #054-032-00 Boot 2 #054-041-00 Piston 2 #054-085-00 Cup 1 #054-035-00 Bleeder Screw
6	054-033-00	2	Cylinder Push Rod-US
ns	036-064-08	1	LH Spider Assembly (incl. items #4,5,6,7) US
ns	036-064-09	1	RH Spider Assembly (incl. items #4,5,6,7) US
7	036-064-02	1	LH or RH Spider Assembly (incl. items #4,6,7,8) DS
8	046-087-00	1	Retractor Spring

* Not included with complete brake assembly. Item sold separately.
ns - not shown

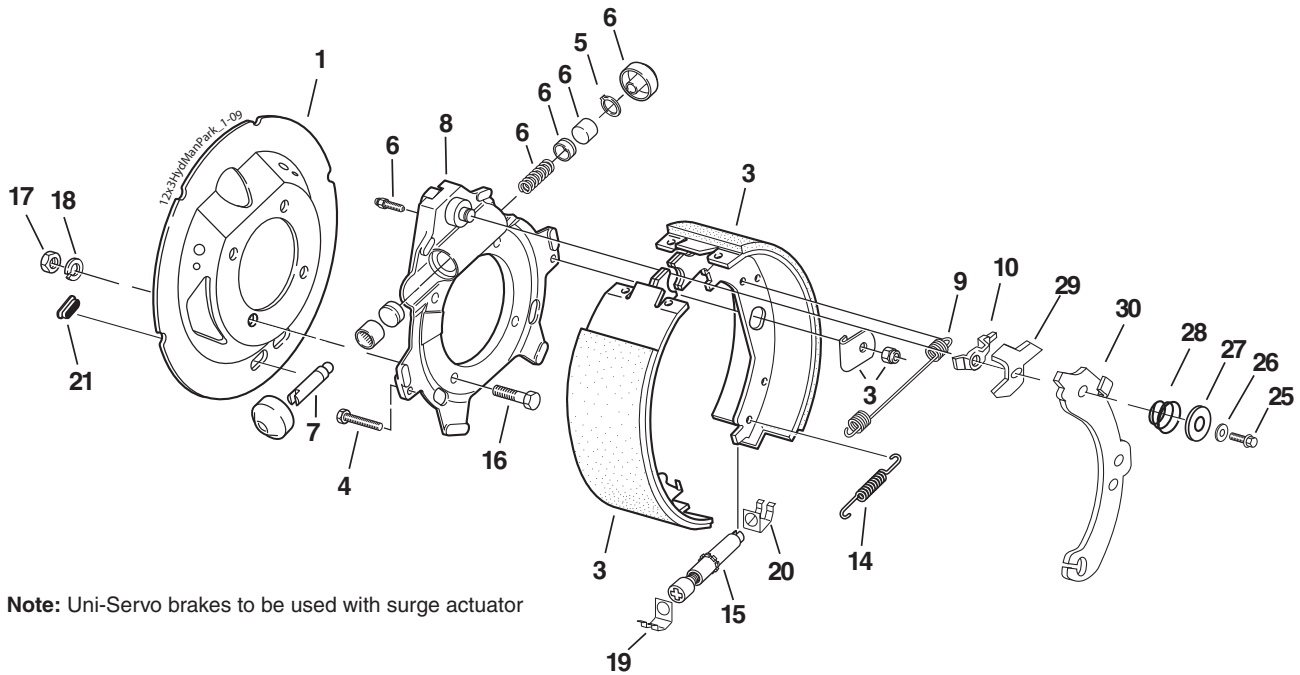
Hydraulic Brake

Item	Part No.	Qty/Brk	Description
9	046-072-00	1	Adjuster Spring
10	K71-417-00	1	LH & RH Brake Adjuster Kit Contains: 1 #046-073-00 LH Adjustment Lever Spring 1 #046-074-00 RH Adjustment Lever Spring 1 #048-009-00 LH Adjusting Screw 1 #048-010-00 RH Adjusting Screw 2 #074-433-00 Adjuster Cable- 1 #071-019-01 LH Adjusting Lever 1 #071-019-02 RH Adjusting Lever
*11	007-097-00	4	Brake Mounting Bolt
12	006-129-00	4	Brake Mounting Nut
13	005-058-00	4	Lock Washer
14	046-132-00	1	Adjuster Clip (thread end)
15	046-133-00	1	Adjuster Clip (barrel end)
16	007-096-00	1	Hold Down Lever Bolt
17	005-143-00	1	Star Washer
18	005-065-00	0	Hold Down Lever Washer
19	046-091-00	1	Hold Down Lever Spring
20	039-055-00	1	Parking Cam LH
20	039-056-00	1	Parking Cam RH
21	047-089-00	1	Parking Lever LH
21	047-090-00	1	Parking Lever RH

12¼" x 3⅜" 8K Hydraulic Brake Uni-Servo With Parking Feature (Manual Adjust)



8000 LBS. CAPACITY



Note: Uni-Servo brakes to be used with surge actuator

Hydraulic Brake

Item	Part No.	Qty/Brk	Description
0	K23-252-00	1	LH Complete Brake Assembly-US, w/park (shown)
0	K23-253-00	1	RH Complete Brake Assembly-US, w/park
*1	036-115-24	1	Dust Shield
3	K71-165-00	1	LH Shoe & Lining Kit Contains: 1 #040-199-01 LH Primary Shoe & Lining 1 #040-199-02 LH Secondary Shoe & Lining 2 #005-107-00 Shoe Hold Down Washer 2 #006-086-00 Locknut
3	K71-166-00	1	RH Shoe & Lining Kit Contains: 1 #040-200-01 RH Primary Shoe & Lining 1 #040-200-02 RH Secondary Shoe & Lining 2 #005-107-00 Shoe Hold Down Washer 2 #006-086-00 Locknut
4	007-113-00	2	Shoe Hold Down Screw
5	069-040-00	1	Snap Ring
6	K71-080-00	1	Wheel Cylinder Kit (1.00" Bore) Contains: 1 #046-130-00 Spring 2 #054-032-00 Boot 2 #054-041-00 Piston 2 #054-085-00 Cup 1 #054-035-00 Bleeder Screw
7	054-033-00	2	Cylinder Push Rod-US
8	036-064-08	1	LH Spider Assembly (incl. items #4,5,6,7) US
8	036-064-09	1	RH Spider Assembly (incl. items #4,5,6,7) US
9	046-087-00	1	Retractor Spring

Hydraulic Brake

Item	Part No.	Qty/Brk	Description
10	033-083-00	1	Spacer
14	046-018-00	1	Adjuster Spring
15	048-017-00	1	Adjuster Assembly
*16	007-097-00	4	Brake Mounting Bolt
*17	006-129-00	4	Brake Mounting Nut
*18	005-058-00	4	Lock Washer
19	046-132-00	1	Adjuster Clip (thread end)
20	046-133-00	1	Adjuster Clip (barrel end)
*21	046-007-00	2	Adjuster Slot Plug
25	007-096-00	1	Hold Down Lever Bolt
26	005-143-00	1	Star Washer
27	005-065-00	0	Hold Down Lever Washer
28	046-091-00	1	Hold Down Lever Spring
29	039-055-00	1	Parking Cam LH
29	039-056-00	1	Parking Cam RH
30	047-089-00	1	Parking Lever LH
30	047-090-00	1	Parking Lever RH
ns	071-512-00	1	Parking Cable

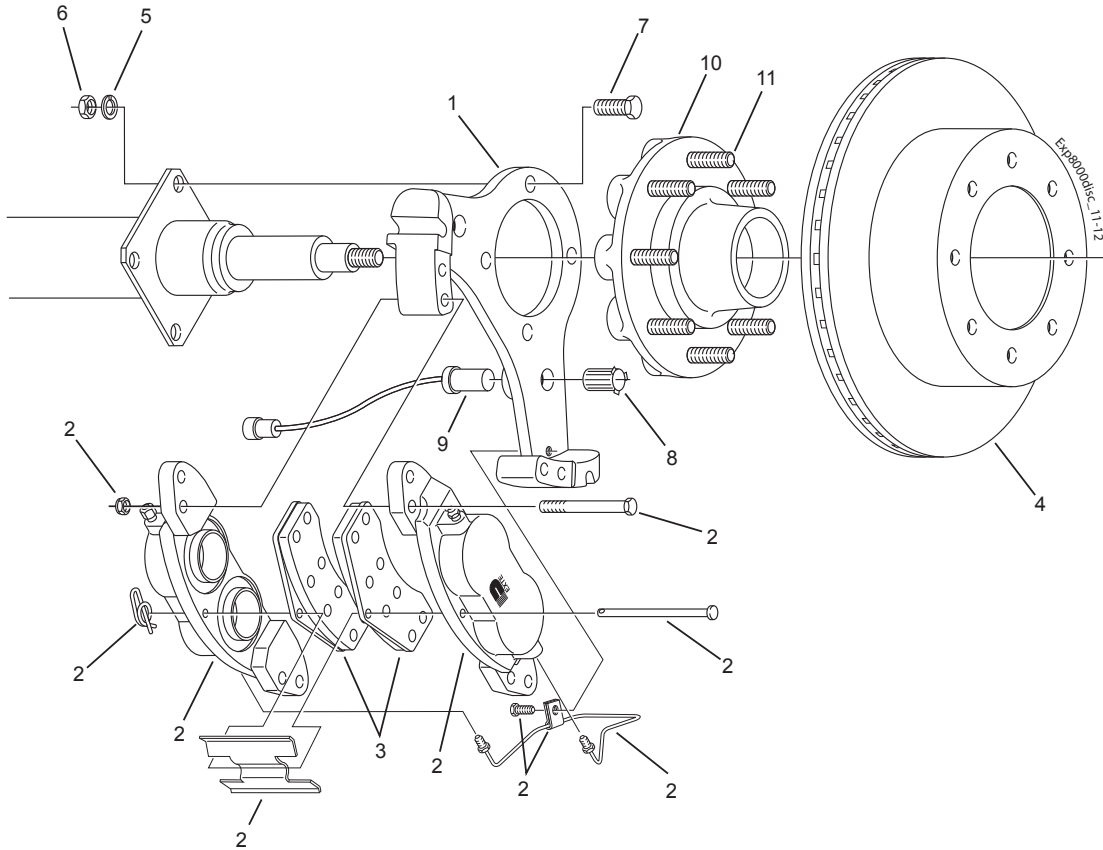
ns - not shown

* Not included with complete brake assembly. Item sold separately.

Disc Brake for 8,000 Lb. Axles



CSA approved at 8000#/14.0 SLR



Disc Brake 8000#

Item	Part No.	Qty/Brk	Description
1	090-003-01	1	Anchor Yoke
2	K71-630-00	1	Caliper Assembly Kit for LH or RH Contains:
	4 006-045-00		Caliper Mounting Nut
	4 007-254-00		Caliper Mounting Bolt
	1 019-019-00		Cotter Ring
	1 027-060-00		Tube Clamp
	1 046-145-00		Anti-Rattle Spring
	1 054-092-00		Bleeder Screw
	1 054-094-00		Adapter Fitting
	1 056-038-00		Pad Retaining Pin
	1 071-513-00		Cross Over Hydraulic Line (yokes without notch)
	1 071-518-00		Cross Over Hydraulic Line (yokes with notch)
	1 087-002-00		Hex Bolt
	2 089-003-02		Assembled Caliper Half
3	K71-629-00	1	Brake Pad Kit (axle set)
4	K71-631-00	1	Rotor Kit
5	005-058-00	4	1/2" Lock Washer
6	006-129-01	4	1/2" Hex Nut
7	007-097-00	4	1/2" Brake Mounting Bolt
8	097-002-00	1	ABS Sensor Retaining Clip
9	097-004-00	1	ABS Sensor (straight)

Disc Brake 8000# With 50MM Nev-R-Lube®

Item	Part No.	Qty/Brk	Description
1	090-007-01	1	Anchor Yoke
2	K71-630-00	1	Caliper Assembly Kit for LH or RH Contains:
	4 006-045-00		Caliper Mounting Nut
	4 007-254-00		Caliper Mounting Bolt
	1 019-019-00		Cotter Ring
	1 027-060-00		Tube Clamp
	1 046-145-00		Anti-Rattle Spring
	1 054-092-00		Bleeder Screw
	1 054-094-00		Adapter Fitting
	1 056-038-00		Pad Retaining Pin
	1 071-513-00		Cross Over Hydraulic Line (yokes without notch)
	1 071-518-00		Cross Over Hydraulic Line (yokes with notch)
	1 087-002-00		Hex Bolt
	2 089-003-02		Assembled Caliper Half
3	K71-629-00	1	Brake Pad Kit (axle set)
4	K71-631-00	1	Rotor Kit
5	005-058-00	4	1/2" Lock Washer
6	006-129-01	4	1/2" Hex Nut
7	007-097-00	4	1/2" Brake Mounting Bolt
8	097-002-00	1	ABS Sensor Retaining Clip
9	097-004-00	1	ABS Sensor (straight)

Disc Brake Hubs & Studs

Item	Part No.	Qty/Brk	Description
10	008-399-05	1	Grease 1/16" Studs 8 on 6.50
10	008-399-06	1	Oil 1/16" Studs 8 on 6.50
10	008-399-07	1	Grease 5/8" Studs 8 on 6.50
10	008-399-08	1	Oil 5/8" Studs 8 on 6.50
11	007-257-00	8	1/16"-18 x 2.50" Press-in Stud
11	007-115-00	8	5/8"-18 x 3.16" Press-in Stud

Nev-R-Lube® Disc Brake Hubs

Item	Part No.	Qty/Brk	Description
10	008-402-80	1	1/16" Studs, 50mm 8 on 6.50
10	008-402-81	1	5/8" Studs, 50mm 8 on 6.50
11	007-257-00	8	1/16"-18 x 2.50" Press-in Stud
11	007-115-00	8	5/8"-18 x 3.16" Press-in Stud

AIRFLEX® Light Trailer Suspension System

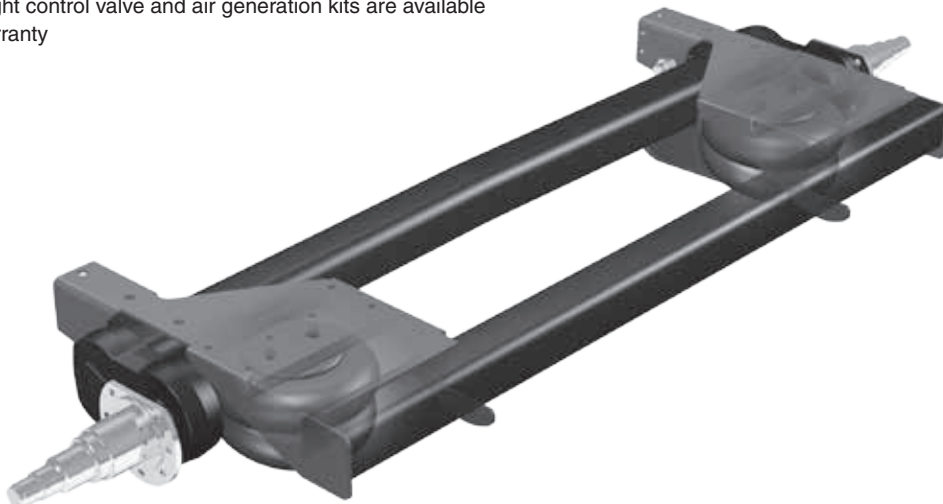


8000 LBS. CAPACITY



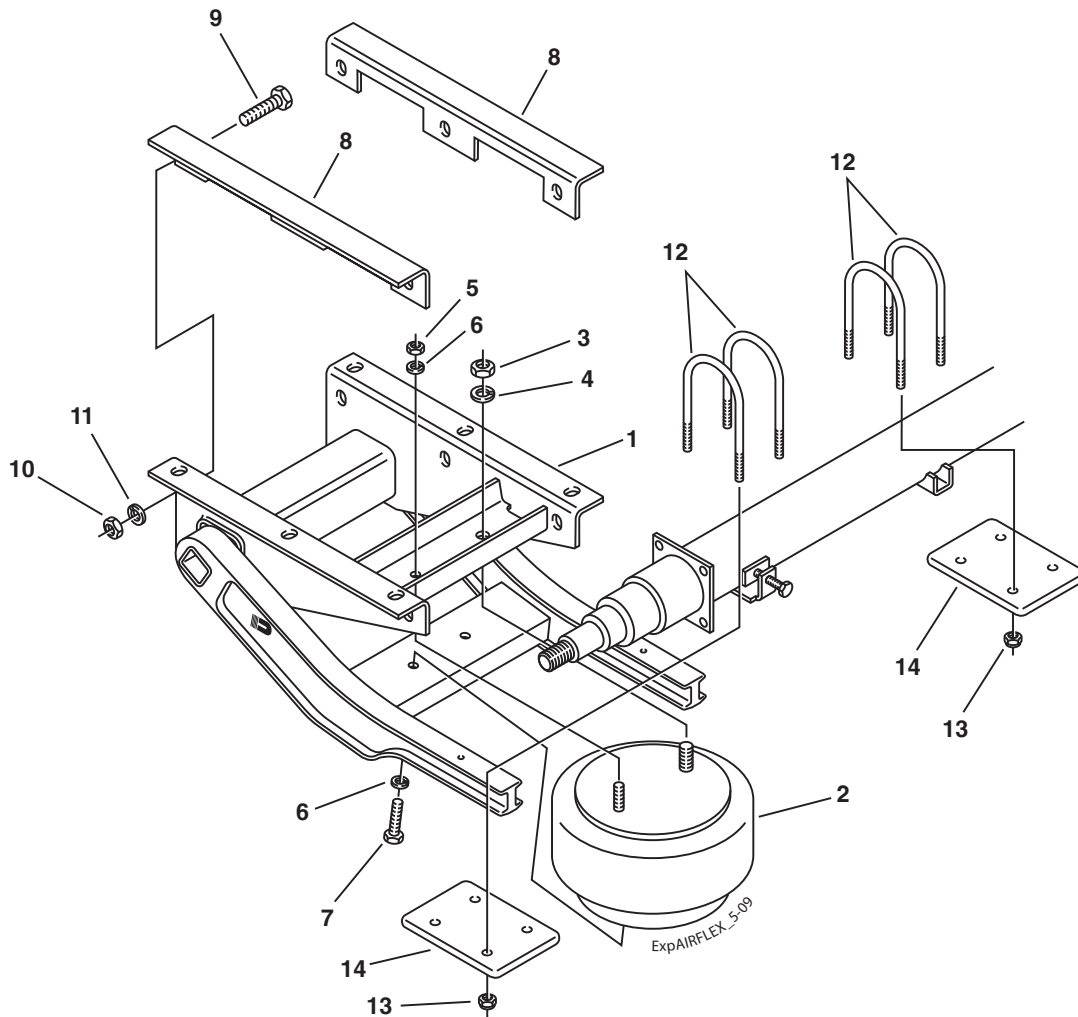
Smooth Out the Roughest Roads

- Soft Ride – New hybrid suspension combines air and rubber torsion for an excellent ride
- Independent – Ride and stability improve with independent wheel action
- Equalizing – Axle-to-axle load equalization allows use on triple axle trailers
- Reliable – Rubber cushions ride even if air is not available
- Maintains constant ride height for the ultimate ride
- Fully assembled for easy installation
- Adjustable axle alignment feature
- Available for single, tandem or triple axle applications
- Optional ride height control valve and air generation kits are available
- 2 year limited warranty





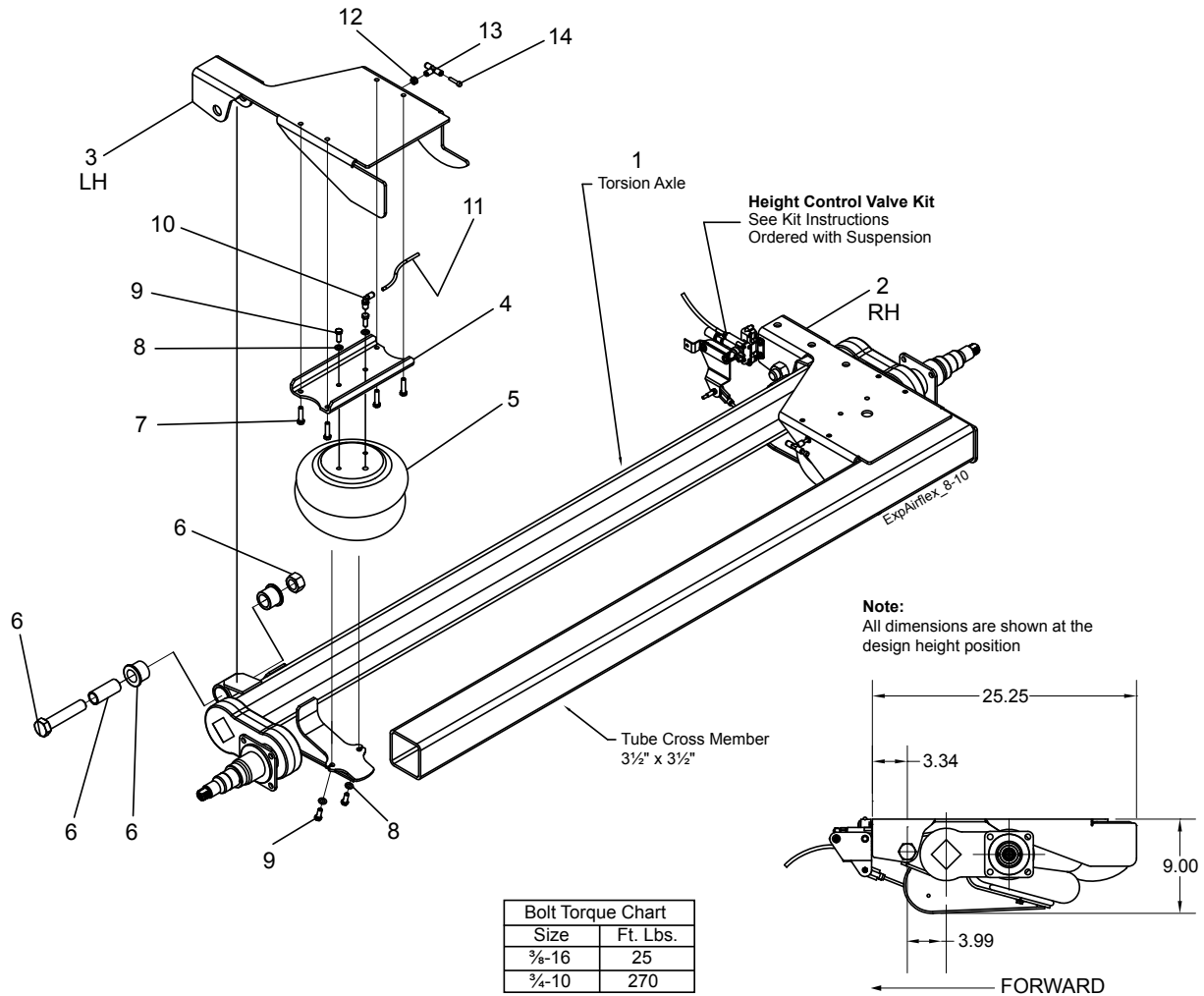
Service Parts Only



AIRFLEX® Suspension Components 8000#

Item	Part No.	Qty/Axle	Description
1	003-272-00	1	LH Suspension Assembly (shown) (incl. items #2-11)
1	003-273-00	1	RH Suspension Assembly (incl. items #2-11)
Air Spring & Mounting Hardware			
2	034-279-00	2	Air Spring
3	006-122-01	2	3/4"-16 Jam Nut
4	005-143-00	2	3/4" Lock Washer
5	006-116-00	2	1/2"-13 Hex Nut
6	005-058-00	6	1/2" Lock Washer
7	007-259-00	4	1/2"-13 Hex Bolt
Suspension Mounting Hardware			
8	003-261-00	2	Side Mount Bracket
9	007-177-00	6	5/8" Mounting Bolt
10	006-126-00	6	5/8" Locknut
11	005-111-00	6	5/8" Washer
Axle Attaching Hardware			
12	011-090-01	8	3/4" U-Bolt
13	006-113-00	16	3/4" Locknut
14	012-065-01	4	Tie Plate
Air Supply Kits			
ns	K71-632-01	-	Tandem Plumbing Kit with Ride Height Control Valve
ns	K71-632-02	-	Air Generation Kit (includes compressor and tank)
ns	K71-632-03	-	Manual Dump Valve Kit
ns	K71-632-04	-	Tri-Axle Conversion Plumbing Kit

ns - not shown



Size	Ft. Lbs.
3/8-16	25
3/4-10	270

AIRFLEX® Suspension Components 8000#

Item	Part No.	Qty/Axle	Description
1	n/a	1	Torsion Axle with Suspension Brackets
2	003-327-00	1	RH Frame Bracket
3	003-326-00	1	LH Frame Bracket
4	003-323-00	2	Channel, Air Spring Support
5	W01-358-6947	2	Firestone Air Spring
6	K71-734-00	1	Airflex Pivot Bushing Replacement Kit Contains: 2 #006-287-00 Nut, Hex Locking 2 #007-466-00 Bolt, Hex 2 #014-123-00 Pivot Bushing Assembly 2 #014-127-00 Pivot Bushing Spacer
7	n/a	8	3/8-16 UNC x 1.5" LG HHCS
8	n/a	8	3/8 Regular Split Lock Washer
9	n/a	8	3/8-16 UNC x 1" LG HHCS
10	n/a	2	1/4 NPTM x 1/4 T 90° Elbow, Swivel
11	n/a	2	1/4 x 6.25" LG Nylon Tube
12	n/a	2	Grommet
13	n/a	2	1/4 T Union Tee
14	n/a	2	1/4 T Plug

Air Supply Kits

ns	K71-692-01	-	Ride Height Control Kit
ns	K71-692-02	-	Air Supply and Control Kit
ns	K71-692-03	-	Air Control Kit Without Air Supply
ns	059-809-00	-	Installation Instructions (available on Dexter website)

n/a - not available

ns - not shown

Wheels and Tires



Wheel Dia.	Rim Width Contour	Tire Size Description	SLR	Tire Radius	Width	Capacity	PSI
12	4JA	4.80-12, B	9.50	10.84	5.27	780	60
12	4JA	5.30-12, C	10.20	11.37	5.88	1045	80
13	4.5JJ	ST175/80R13, B	11.20	12.00	7.90	1100	35
13	4.5JJ	ST185/80R13, C	11.40	12.30	8.10	1480	50
14	5.5JJ	ST205/75R14, C	12.10	13.05	9.00	1760	50
14	5.5JJ	ST215/75R14, C	12.40	13.35	9.60	1870	50
14.5	6.00MH	8-14.5LT, E	13.30	14.10	8.50	2540	85
14.5	6.00MH	8-14.5LT, F	13.30	14.10	8.50	2790	100
14.5	7.00MH	9-14.5LT, E	13.30	14.68	10.10	2940	85
14.5	7.00MH	9-14.5LT, F	13.30	14.68	10.10	3230	100
15	5JJ	ST205/75R15, B	12.60	13.55	9.00	1480	35
15	5JJ	ST205/75R15, C	12.60	13.55	9.00	1820	50
15	6JJ	LT215/75R15, C	12.90	14.25	9.60	1765	50
15	6JJ	ST225/75R15, D	13.00	14.43	9.90	2540	65
15	6JJ	LT235/75R15, E	13.40	14.70	10.60	2755	80
16	6K	LT225/75R16, E	13.50	14.92	9.90	2680	80
16	6K	LT235/85R16, E	14.30	15.40	10.30	3042	80
16	6K	LT235/85R16, G	14.30	15.40	10.20	3750	110
16.5	9.75	12-16.5LT, E	14.90	15.80	13.00	3550	60
16.5	9.75	12-16.5LT, F	14.90	15.80	13.00	4045	75
17.5	6.00HC	215/75R17.5	14.00	15.30	8.40	4805	125
17.5	6.75HC	235/75R17.5	14.50	15.90	9.20	6005	125

Hanger and Attaching Parts Kits



Double Eye Leaf Springs

Hanger Heights

Hanger Kit	Axle Combination	Front Height	Center Height	Notes
HGR-104-00	1	3.25	N/A	7K Max.
HGR-105-00	1	1.44	N/A	8K Max.
HGR-120-00	1	4.25	N/A	5.2K Max.
HGR-212-00	2	3.25	3.25	7K Max.
HGR-248-00	2	3.25	3.62	5.2K Max.
HGR-249-00	2	2.06	3.25	7K Max.
HGR-250-00	2	3.62	3.62	5.2K Max.
HGR-252-00	2	4.25	4.25	5.2K Max.
HGR-271-00	2	4.25	4.25	8K Max.
HGR-274-00	2	5.00	5.00	8K Max.
HGR-312-00	3	3.25	3.25	7K Max.
HGR-348-00	3	3.25	3.62	5.2K Max.
HGR-349-00	3	2.06	3.25	5.2K Max.
HGR-371-00	3	4.25	4.25	8K Max.

Attaching Parts Kits

Capacity	Single	33½" Axle Spacing		35" Axle Spacing	
		Tandem	Triple	Tandem	Triple
D20	A/P-122-00	A/P-233-00	A/P-335-00	N/A	N/A
D35	A/P-122-00	A/P-233-00	A/P-335-00	A/P-264-00	N/A
D52	A/P-122-00	A/P-233-00	A/P-335-00	A/P-264-00	A/P-364-00
D60	A/P-122-00	A/P-233-00	A/P-335-00	A/P-264-00	A/P-364-00
D70	A/P-122-00	A/P-233-00	A/P-335-00	A/P-264-00	A/P-364-00
D72	A/P-122-00	A/P-233-00	A/P-335-00	A/P-264-00	A/P-364-00
D80	A/P-122-00	A/P-233-00	A/P-335-00	A/P-264-00	A/P-364-00

Note: Common A/P kits are available in marine grade coating.

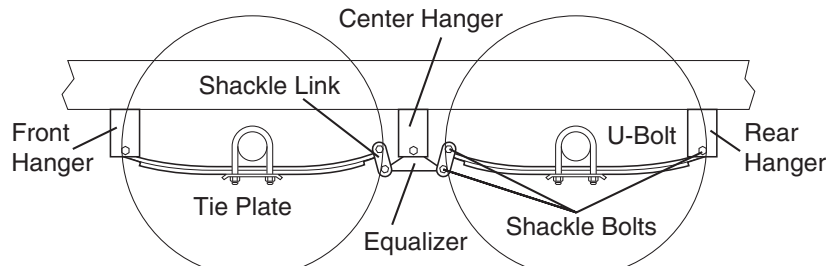
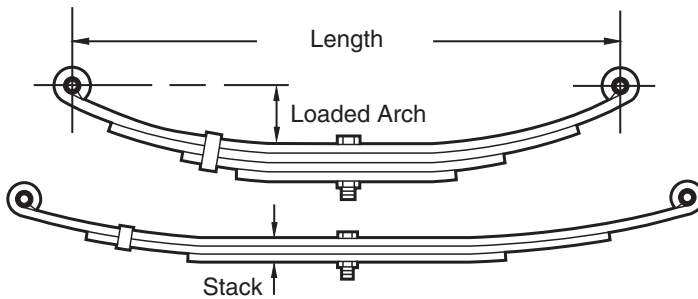
Tube Diameter & Spring Pad Height – DE and SS

Capacity	Tube Dia. Standard	Tube Dia. Optional	Pad Ht. Standard	Pad Ht. Optional
D20	1.75	2.38	0.60	0.60
D35	2.38	3.00	0.60	0.60
D52	3.00	N/A	0.60	N/A
D60	3.00	N/A	0.60	N/A
D70	3.00	3.50	0.60	0.50
D72	3.00	3.50	0.60	0.50
D80	3.50	N/A	0.50	N/A

N/A - not applicable

Stack & Loaded Arch Heights

Capacity	Part Number	Stack Height	Length (Inches)	Axle Location	Loaded Arch Height
700	072-016-00	0.67	21	10.62	2.12
1000	072-017-00	0.79	21	10.62	2.12
1250	072-022-00	0.94	26	13.00	1.75
1250	072-006-00	0.94	24	12.00	2.50
1400	072-013-00	1.10	21	10.62	2.38
1500	072-023-00	1.04	26	13.00	1.75
1750	072-042-00	1.27	26	13.00	1.50
1750	072-009-00	1.08	24	12.00	2.50
2000	072-018-00	1.37	24	12.00	2.50
2500	072-020-00	1.44	24	12.00	2.50
2600	072-025-00	1.44	26	13.00	1.75
3000	072-073-00	2.01	26	13.00	1.75
3500	072-027-00	2.05	26	13.00	1.75
4000	072-079-00	2.52	26	13.00	1.75



Underslung Shown

Hanger and Attaching Parts Kits



Slipper Leaf Springs

Hanger Heights

Hanger Kit	Axle Combination	Front Height	Center Height	Notes
HAP-105-00	1	5.00	N/A	9K Max.
HGR-110-00	1	4.25	N/A	5.2K Max.
HGR-115-00	1	0.83	N/A	2K Max.
HGR-138-00	1	5.00	N/A	8K Max.
HGR-202-00	2	4.25	3.50	5.2K Max.
HAP-205-01	2	N/A	4.50	8K Max.
HGR-238-00	2	5.00	4.50	9K Max.
HGR-302-00	3	4.25	5.25	5.2K Max.
HGR-278-00	2	4.25	3.50	8K Max.
HGR-338-00	3	5.00	4.50	8K Max.
HGR-378-00	3	4.25	3.50	8K Max.

Tube Diameter & Spring Pad Height – DE and SS

Capacity	Tube Dia. Standard	Tube Dia. Optional	Pad Ht. Standard	Pad Ht. Optional
D20	1.75	2.38	0.60	0.60
D35	2.38	3.00	0.60	0.60
D52	3.00	N/A	0.60	N/A
D60	3.00	N/A	0.60	N/A
D70	3.00	3.50	0.60	0.50
D72	3.00	3.50	0.60	0.50
D80	3.50	N/A	0.50	N/A

N/A - not applicable

Attaching Parts Kits

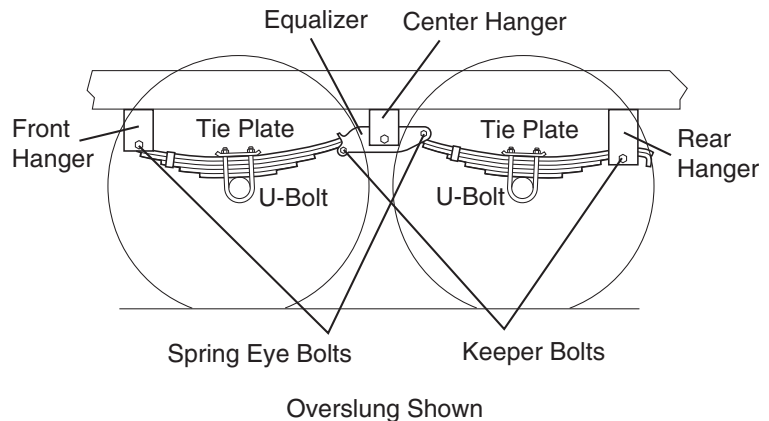
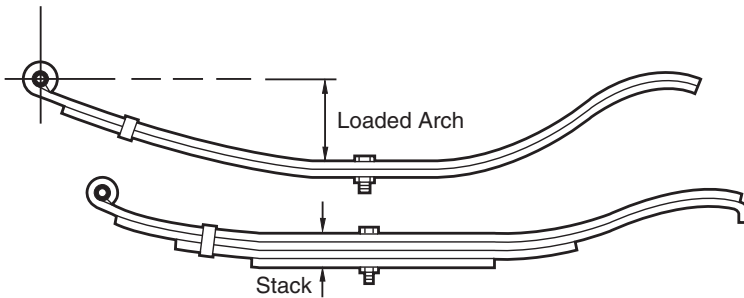
Capacity	33.5" Axle Spacing			36" Axle Spacing	
	Single	Tandem	Triple	Tandem	Triple
D20	A/P-115-00	N/A	N/A	N/A	N/A
D35	A/P-103-00	A/P-202-00	A/P-302-00	N/A	N/A
D52	A/P-103-00	A/P-202-00	A/P-302-00	A/P-216-00	A/P-316-00
D60	A/P-103-00	A/P-202-00	A/P-302-00	A/P-216-00	A/P-316-00
D70	A/P-103-00	A/P-202-00	A/P-302-00	A/P-216-00	A/P-316-00
D72	A/P-103-00	A/P-202-00	A/P-302-00	A/P-216-00	A/P-316-00
D80	A/P-103-00	A/P-202-00	A/P-302-00	A/P-216-00	A/P-316-00

Stack & Loaded Arch Heights

Capacity	Part Number	Stack Height	Width (Inches)	Axle Location	Loaded Arch Height
700	072-003-00	0.57	1.75	13.00	3.12
1000	072-002-00	0.68	1.75	13.00	3.12
1500	072-029-00	1.16	2.00	11.50	2.00
2000	072-030-00	1.33	2.00	11.50	2.00
2500	072-031-00	1.44	2.00	11.50	2.00
3500	072-032-00	1.80	2.00	11.50	2.00
4000	072-051-01	2.52	2.00	11.50	2.00
4000*	072-051-02	2.52	2.00	11.50	2.00

* Rubber Bushed

Note: Common A/P kits are available in marine grade coating.





The following instructions describe methods that can be used to attach your Torflex® axles to the vehicle frame.

Step 1: The user must first decide where to place the axle(s) on the trailer. The position of the wheel center relative to the CG (center of gravity) will determine the final axle loading as well as the hitch load.

Step 2: Determine the method of attachment you wish to use.

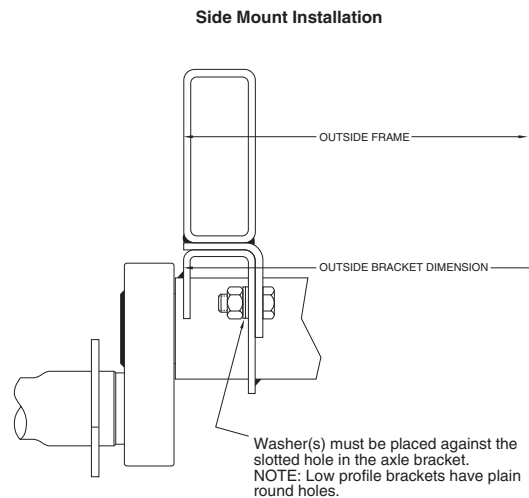
- For structural tube type frame rails, refer to Figure 1 for the recommended attachment.
- For “C” channel or “I” beam type frame, refer to Figure 2.

Step 3: Once the method of attachment is decided, the axle(s) must be carefully aligned on the trailer frame. The axle(s) centerline must be perpendicular to the longitudinal centerline of the trailer. See figure 3.

CAUTION: Misalignment of the axle(s) can cause poor tracking and accelerated tire wear.

Attachment to Structural Tube Type Frame

- Dexter recommends the use of side mounting hangers when mounting axles to tubular type frames. These hangers provide a convenient means for bolting the axles in place. All of the necessary components are included in the Side Mount A/P Kits listed in Chart 1.
- Refer to Chart 2 to find the mounting bracket dimensions of your axles. This chart shows the dimensions from the wheel center to the bolt holes of the brackets.
- The preferred way to use the side mount hanger is to pre-assemble the hangers to the axle using the hardware provided in the A/P kit. Make sure the hangers are clamped firmly against the axle brackets and the bolts are tightened to the torque specifications shown in Chart 1. Position the axle assembly on the frame rails in the desired location and weld the side mount hangers to the frame.
- Axle bracket position is the distance as measured over the outboard edges of the brackets. This dimension is usually matched to the outside measurement of the frame members but depending on the type of frame may not always be suitable. The preferred arrangement should place the longest vertical section of the axle bracket directly under the most rigid section of the frame member.



Side mount hangers should be welded to frame with three (3) $\frac{1}{4}$ " fillet welds, $2\frac{1}{2}$ " long on each side of the hanger and a fillet weld on each end. Welds should meet the quality standards of the American Welding Society, D1.1, Structural Welding Code.



Chart 1

Attaching Parts Kits and Torque Specifications

Axle Size	A/P Kit Top Mount	A/P Kit Side Mount	A/P Kit Side Mount Aluminum	Bolt Size	Torque Lb-Ft.
#8	A/P-161-00	A/P-165-00	A/P-180-00	1/2"	70-90
#9	A/P-161-00	A/P-165-00	A/P-180-00	1/2"	70-90
#10	A/P-148-00	A/P-166-00	A/P-181-00	5/8"	120-155
#10L	A/P-148-00	A/P-166-00	A/P-181-00	5/8"	120-155
#10F	A/P-148-00	A/P-166-00	A/P-181-00	5/8"	120-155
#11	A/P-148-00	A/P-167-00	A/P-182-00	5/8"	120-155
#12	A/P-148-00	A/P-168-00	A/P-183-00	5/8"	120-155
#12T	A/P-148-00	A/P-169-00		5/8"	120-155
#12V	A/P-148-00	A/P-168-00		5/8"	120-155
#13	A/P-148-00	A/P-169-00		5/8"	120-155
#13T	A/P-148-00	A/P-169-00		5/8"	120-155

Side mount hangers and fasteners for mounting axle are provided in the A/P Attaching Parts Kits shown in Chart 1. Torque fasteners to levels specified in Chart 1.

Attachment to Structural Tube Type Frame

- Refer to Chart 2 to find the mounting bracket dimensions of your axles. This chart shows the dimensions from the wheel center to the bolt holes of the brackets.
- Lay out the bolt hole locations on the bottom flanges of the frame rails. Make sure the hole pattern matches the mounting brackets of your axles and is properly oriented to allow proper alignment of the axle(s).
- An alternate method for determining hole location is to position the axle assembly on the frame rails, align it perpendicular to the trailer centerline, clamp in place and transfer the holes directly from the brackets.
- Drill the holes through the frame rails and attach the axle using the hardware provided in the A/P kit. Tighten the bolts to the torque specified in Chart 1.

CAUTION: When bolting to structural shapes that have tapered flanges, bevel washers must be used to prevent uneven clamping and bending of the fasteners.

Note: In the unlikely event a Torflex® axle must be replaced during the warranty period, Dexter cannot assume responsibility for additional costs incurred for removal and reinstallation of axles that have been welded directly to the frame.

Top Mount Installation

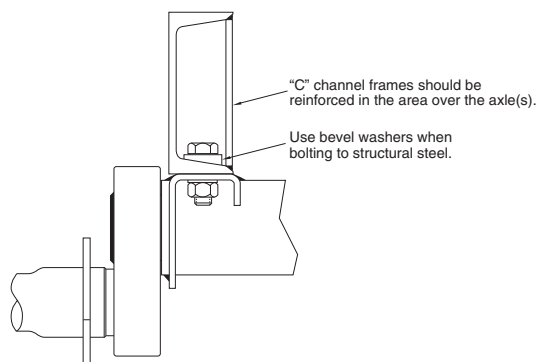
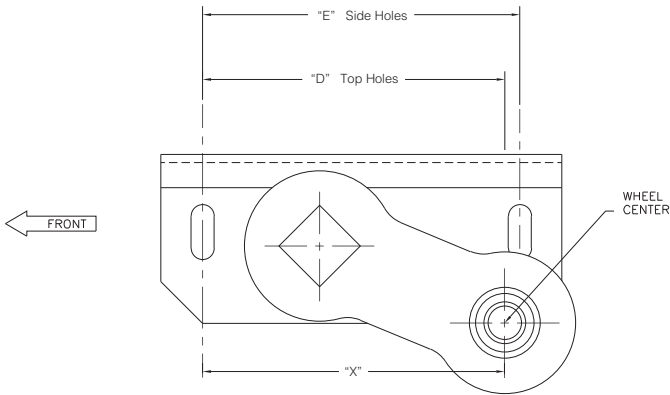


Figure 2

CAUTION: “C” channel and “I” beam type frame sections should be reinforced in the area over the axle mounting brackets. It is recommended that the vertical leg of the axle bracket be positioned directly under the vertical segment or reinforcement of the frame member.



**Chart 2
Bracket Dimensions**



Fender Clearance: allow 3" over the tire at full load.

**Start Angle of Trailing Arm
Mounting Hole to Wheel Center - Dimension "X" (Inches)**

Torflex® Axle Model	45° Down		32° Down		22.5° Down		10° Down		0°		10° Up		22.5° Up		Mounting Hole Spacing (Inches)	
	No Load	Full Load	No Load	Full Load	No Load	Full Load	No Load	Full Load	No Load	Full Load	No Load	Full Load	No Load	Full Load	Dim "D" (Top)	Dim "E" (Side)
#8 (4" arm)	5.21	6.08	5.77	6.33	6.08	6.38	6.32	6.29	6.38	6.08	6.32	5.75	6.08	5.21	7.75	8.00
#9 (6" arm)	6.62	7.92	7.47	8.30	7.92	8.38	8.29	8.24	8.38	7.92	8.29	7.44	7.92	6.62	7.75	8.00
#10 (6" arm)	6.74	8.04	7.59	8.42	8.04	8.50	8.41	8.36	8.50	8.04	8.41	7.56	8.04	6.74	8.00	8.00
#10L (6" arm)	6.74	8.04	7.59	8.42	8.04	8.50	8.41	8.36	8.50	8.04	8.41	7.56	8.04	6.74	8.00	8.00
#10F (6" arm)	6.74	8.04	7.59	8.42	8.04	8.50	8.41	8.36	8.50	8.04	8.41	7.56	8.04	6.74	8.00	8.00
#11 (6" arm)	7.74	9.04	8.59	9.42	9.04	9.50	9.41	9.36	9.50	9.04	9.41	8.56	9.04	7.74	9.00	9.50
#12 (6" arm)	7.74	9.04	8.59	9.42	9.04	9.50	9.41	9.36	9.50	9.04	9.41	8.56	9.04	7.74	9.00	9.50
#12T (6" arm)	7.87	9.17	8.72	9.55	9.17	9.63	9.54	9.49	9.63	9.17	9.54	8.69	9.17	7.87	10.56	10.56
#12V (6" arm)	7.74	9.04	8.59	9.42	9.04	9.50	9.41	9.36	9.50	9.04	9.41	8.56	9.04	7.74	9.00	9.50
#13 (6" arm)	7.87	9.17	8.72	9.55	9.17	9.63	9.54	9.49	9.63	9.17	9.54	8.69	9.17	7.87	10.56	10.56
#13T (6" arm)	7.87	9.17	8.72	9.55	9.17	9.63	9.54	9.49	9.63	9.17	9.54	8.69	9.17	7.87	10.56	10.56

Axle Alignment Dimensions

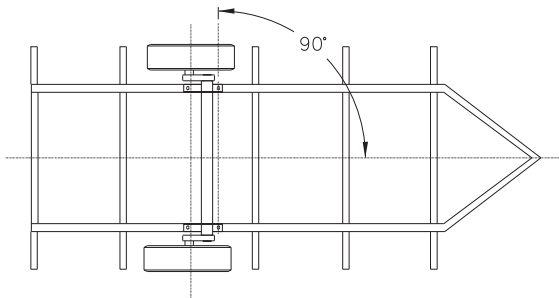


Figure 3

To insure proper tracking, the axle must be placed on the frame perpendicular to the centerline of the vehicle. The accuracy must be within plus or minus one half degree. For multiple axle applications, each axle must be parallel with the others within one sixteenth of an inch when measured at the wheel centers.

CAUTION: When laying out the position for the axle(s), measuring from the front cross member should only be done if the cross member has been checked for squareness to the frame centerline. Any error in the cross member will be transferred to the axle and can result in poor tracking and excessive tire wear.



What Products Are Covered

All Dexter Axle Company (“Dexter”) trailer axles, suspensions, and brake control systems manufactured on or after September 1, 2016, excluding Dexter 6000 series Manufactured Housing Axles. Additional exclusions include the following brands: UFP by Dexter, AL-KO (IAC), Titan Brakes and Actuators by Dexter, and BrakeRite by Dexter products, which are covered under separate warranties.

Limited 1 Year Warranty

As specified in Dexter’s current publication “Operation Maintenance Service Manual”, grease and oil seals FOR ALL PRODUCTS have a one (1) year limited warranty to the original purchaser from the date of first sale of the trailer incorporating such components. **Except as to grease and oil seals, the following four other warranties are available.**

Limited 2 Year Warranty

Dexter warrants to the original purchaser that its electric/hydraulic brake actuators shall be free from defects in material and workmanship for a period of two (2) years from the date of first sale of the trailer incorporating such components.

Limited 5 Year Warranty

Dexter warrants to the original purchaser that its axles, suspension systems and Genuine Replacement Parts shall be free from defects in material and workmanship for a period of five (5) years. The warranty period shall begin from the date of the original purchase of the trailer and/or Genuine Replacement Parts.

Limited 7 Year Warranty

Dexter warrants to the original purchaser that its Predator Series® electric brake controllers shall be free from defects in material and workmanship for a period of seven (7) years from the date of purchase.

Limited 10 Year Warranty

Dexter warrants to the original purchaser that the suspension components of its Torflex® axles shall be free from defects in material and workmanship for a period of ten (10) years from the date of first sale of the trailer incorporating such suspension components.

Exclusive Remedy

Dexter will, at its option, repair or replace the affected components of any defective axle, repair or replace the entire defective axle, or refund the lesser of the original purchase price and the then-current list price of the axle or components. In all cases, a reasonable time period must be allowed for warranty repairs to be completed. Allowance will only be made for installation costs specifically approved by Dexter.

What You Must Do

In order to make a claim under these warranties:

1. You must be the original purchaser of the trailer in which the sprung suspension axles or Torflex® axles or components were originally installed.
2. You must promptly notify Dexter after detection of any defect, but in any case within the applicable warranty period of such defect, and provide us with the axle or applicable component serial number and any substantiation of such defect which may include, but is not limited to, the return of part(s) that we may reasonable request.
3. The axles, suspensions and components must have been installed and maintained in accordance with good industry practice and any specific Dexter recommendations, including those specified in Dexter’s current publication “Operation Maintenance Service Manual”.

Exclusions

These warranties do not extend to and do not cover defects caused by:

1. The connecting of brake wiring to the trailer wiring or trailer wiring to the towing vehicle wiring.
2. The attachment of the running gear to the frame.
3. Parts not supplied by Dexter.
4. Any damage whatsoever caused by or related to any alteration of the axle including welding supplemental brackets to the axle.
5. Use of an axle on a unit other than the unit to which it was originally mounted.
6. Normal wear and tear.
7. Improper alignment.
8. Improper installation.
9. Unreasonable use (including failure to provide reasonable and necessary maintenance as specified in Dexter’s current publication “Operation Maintenance Service Manual including required maintenance after “Prolonged Storage”.
10. Improper torque values and torquing of wheel nuts. (The proper torquing procedure and torque values are contained in Dexter’s current publication “Operation Maintenance Service Manual”).
11. Cosmetic finish or corrosion.

Limitations

1. **In all cases, Dexter reserves the right to fully satisfy its obligations under the Limited Warranties by refunding the lesser of the original purchase price and the then-current list price of the defective axle (or, if the axle has been discontinued, of the most nearly comparable current product).**
2. Dexter reserves the right to furnish a substitute of replacement component or product in the event an axle or any component of the axle is discontinued or is otherwise unavailable.
3. These warranties are nontransferable.

General

THE FOREGOING WARRANTIES ARE EXCLUSIVE AND IN LIEU OF ALL OTHER WARRANTIES EXCEPT THAT OF TITLE, WHETHER WRITTEN, ORAL OR IMPLIED, IN FACT OR IN LAW (INCLUDING ANY WARRANTY AGAINST INFRINGEMENT OR OF MERCHANTABILITY OR FITNESS FOR A PARTICULAR PURPOSE).

These warranties give you specific legal rights, and you may also have other rights which vary from state to state.

DEXTER HEREBY EXCLUDES INCIDENTAL AND CONSEQUENTIAL DAMAGES, INCLUDING LOSS OF TIME, INCONVENIENCE, LOSS OF USE, TOWING FEES, TELEPHONE CALLS, COST OF MEALS OR LODGING, FOR ANY BREACH OF ANY EXPRESS OR IMPLIED WARRANTY.

Some states do not allow limitations on how long an implied warranty lasts, or the exclusion or limitation if incidental or consequential damages, so the above exclusion or limitation may not apply to you.

Inquiries regarding these warranties should be sent to:

Dexter Axle Company
P.O. Box 250
Elkhart, IN 46515

Note: Current publication “Operation Maintenance Service Manual” can be found at www.dexteraxle.com.



In keeping with our continual commitment to industry safety and the development of innovative products, please feel free to view our ongoing video gallery at www.dexteraxle.com/resources/videos or scan the following QR codes with your smart phone. We are confident these videos will help educate and promote the Dexter product line that you, as our customer, are investing in.



Bearing Maintenance



E/H Actuator Installation



Electric Brakes



E-Z Flex® Suspension



E-Z Lube® System



Genuine Brakes



Genuine Replacement Parts



Leaf Spring Axles



Manual Brake Bleeding



Medium Duty Axles



Nev-R-Adjust® Brakes



Power Brake Bleeding



Removable Spindle

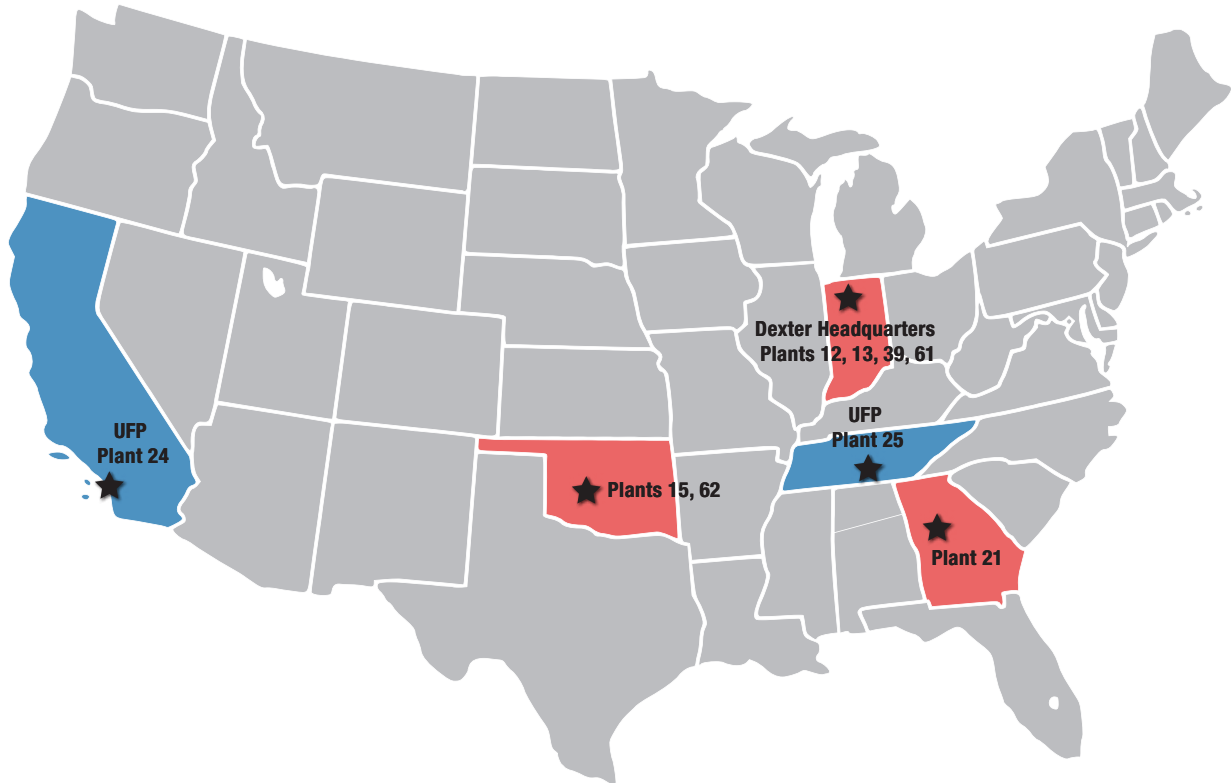


Sway Control



Torflex® Suspension Axles

Genuine Dexter axles and components are available nationwide from our plant locations listed below or through our network of distributors. Check our web site for the distributor nearest you.



Dexter - Headquarters

2900 Industrial Parkway East ■ Elkhart, Indiana 46516

Phone: 574-295-7888 ■ Fax: 574-295-8666

www.dexteraxle.com

Dexter - Plt 12

301 West Pearl Street
Fremont, Indiana 46737
Phone: 260-495-5100
Fax: 260-495-1701

Dexter - Plt 13

500 South 7th Street
Albion, Indiana 46701
Phone: 260-636-2195
Fax: 260-636-3030

Dexter - Plt 15

500 Southeast 27th Street
El Reno, Oklahoma 73036
Phone: 405-262-6700
Fax: 405-262-9089

Dexter - Plt 21

199 Perimeter Road
Monticello, Georgia 31064
Phone: 706-468-6495
Fax: 706-468-2966

Ventline - Plt 39

902 South Division Street
Bristol, Indiana 46507
Phone: 574-848-4491
Fax: 574-848-4825
www.ventline.com

Dexter Door - Plt 39

902 South Division Street
Bristol, Indiana 46507
Phone: 574-848-4491
Fax: 574-848-4825
www.dexterdoor.com

Dexter - Plt 61

21611 Protecta Drive
Elkhart, Indiana 46516
Phone: 574-294-6651
Fax: 574-295-6626

Dexter - Plt 62

301 North Kennedy Street
Shawnee, Oklahoma 74801
Phone: 405-273-9315
Fax: 405-273-1054

UFP - Plt 24

135 Sunshine Lane
San Marcos, California 92069
Phone: 760-744-1610
Fax: 760-744-1616

UFP - Plt 25

1041 Baxter Lane
Winchester, Tennessee 37398
Phone: 931-967-5101
Fax: 931-967-1828

**NO PART OF THIS CATALOG MAY BE REPRODUCED WITHOUT DEXTER'S PERMISSION.
ALL PART NUMBERS, DIMENSIONS AND SPECIFICATIONS IN THIS CATALOG ARE SUBJECT
TO CHANGE WITHOUT NOTICE.**



www.dexteraxle.com

2900 Industrial Parkway East ■ Elkhart, IN 46516
Phone: 574-295-7888 ■ Fax: 574-295-8666

ISO 9001:2015 Certified

