



Service Bulletin

PRELIMINARY INFORMATION

Subject: Steering Column Grind Pop Bind Shudder Noise And/Or Feeling When Turning

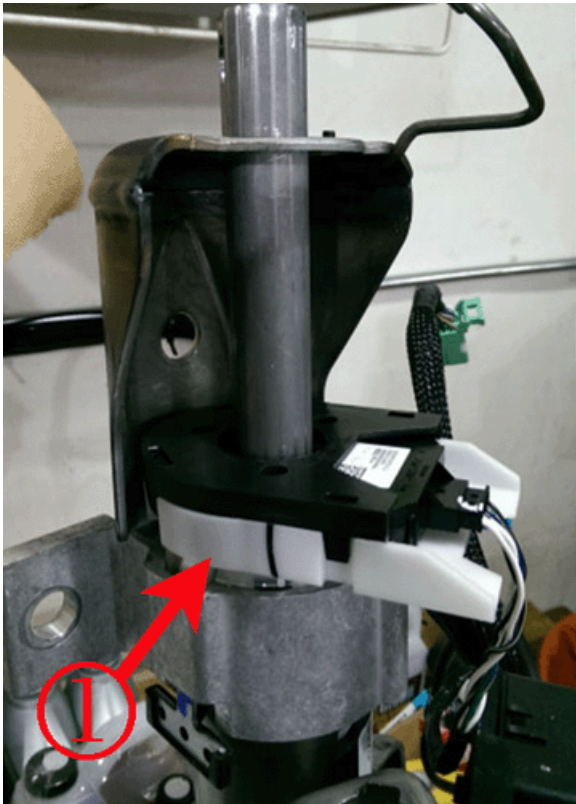
Models: 2015 Cadillac Escalade Models
2014 Chevrolet Silverado 1500
2015 Chevrolet Silverado, Suburban, Tahoe
2014 GMC Sierra 1500
2015 GMC Sierra, Yukon Models
With Tilt and Telescoping Steering Column RPO N38 or N37

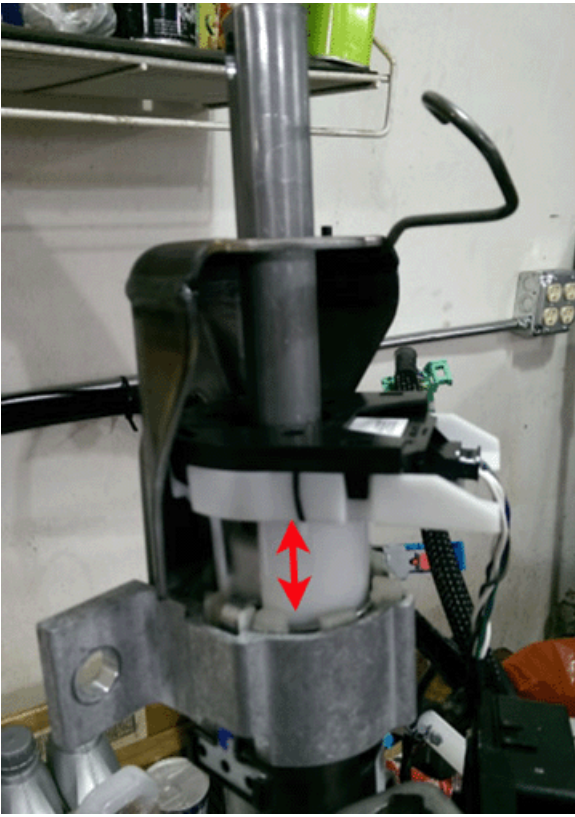
This PI was superseded to update Recommendation/Instructions. Please discard PIT5312A.

Condition/Concern

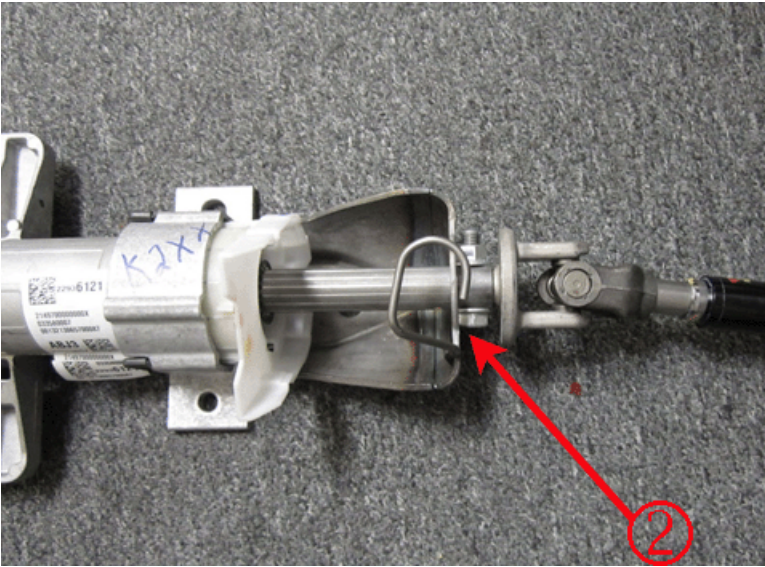
Some owners may comment on a grind, pop, shudder or bind feeling/noise in the steering column when turning left or right. This concern could be caused by either of the following:

1. The lower column bearing housing assembly (1) may be out of position. The 1st picture shows the lower column bearing assembly (1) in its correct position, while the 2nd picture below shows the lower column bearing out of position.





2. The upper intermediate steering shaft to lower column shaft bolt and nut (2) may be contacting the inhibitor/shifter cable bracket, as shown below.

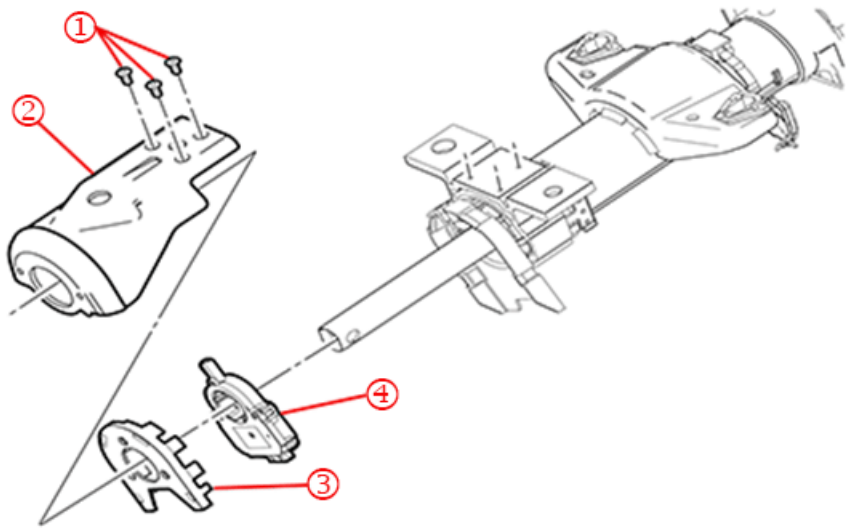


Recommendation/Instructions

Note: Do NOT replace the steering column for these conditions

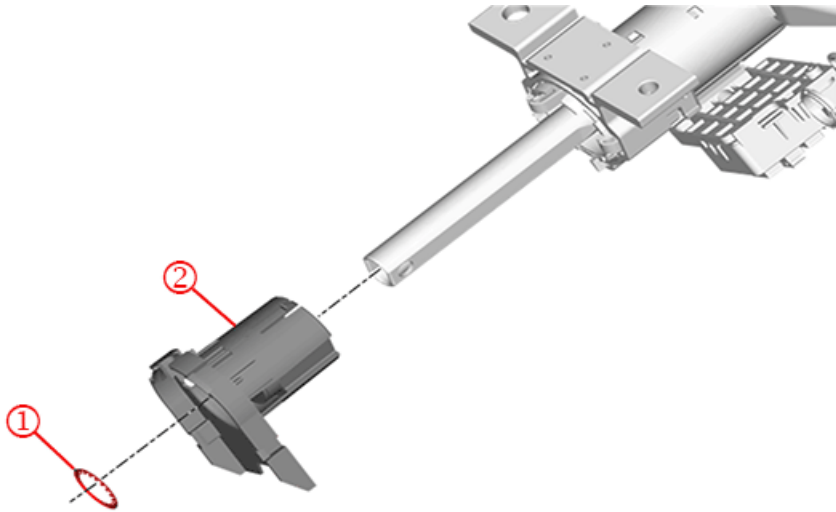
Important: To correct either above condition, repair the steering column assembly by replacing the column lower bearing adapter assembly and retainer as instructed in the following. Below are the highlighted steps for the repair, but please refer to SI "Steering Shaft Lower Bearing Adapter Replacement" for the complete procedure and torque specifications.

1. Remove the steering column lower bearing adapter assembly from the column.
 - 1.1 Remove the steering column as an assembly from the vehicle
 - 1.2 Remove the steering angle sensor (4) from the column.

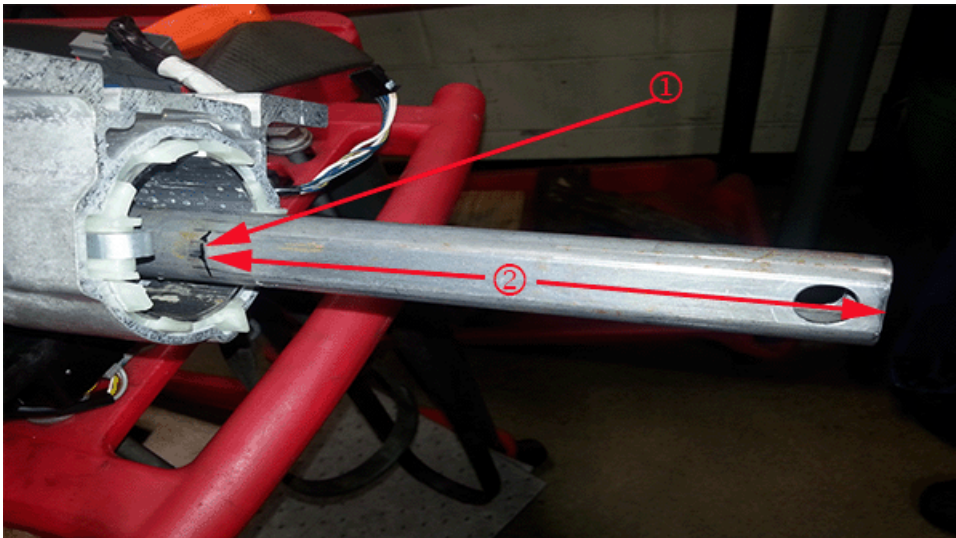


1.3 Remove the steering column lower shaft retainer (1) from the shaft.

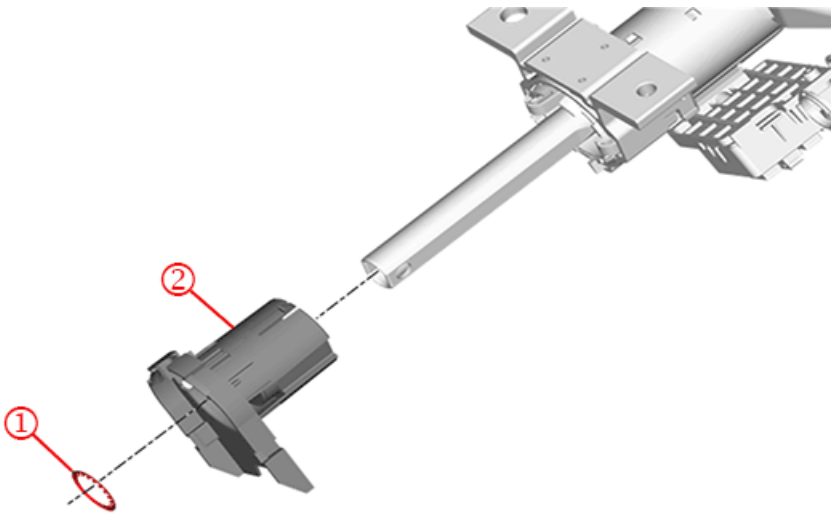
1.4 Remove the steering column lower bearing adapter assembly (2). While depressing the retaining tabs, with the aid of a flat bladed screwdriver, carefully pry to remove the lower bearing assembly (2) from the column.



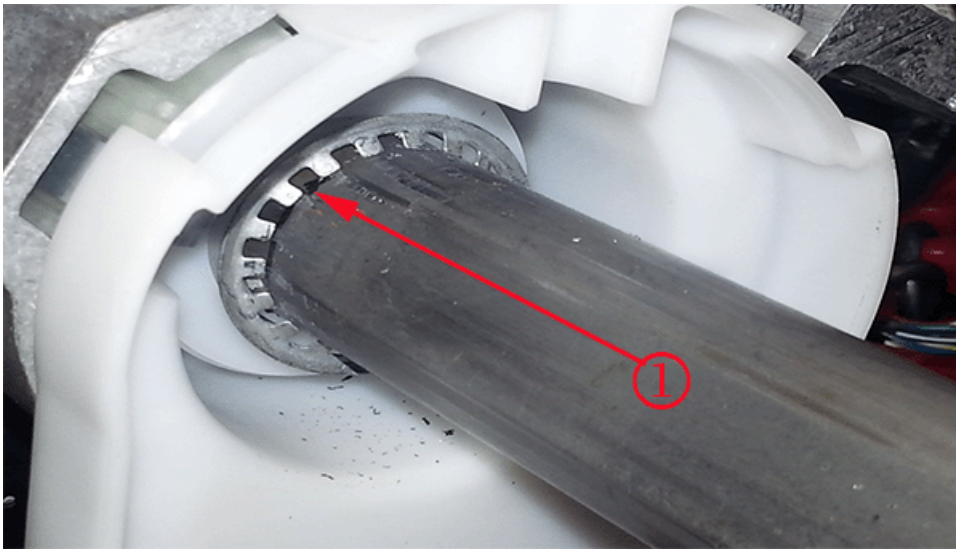
2. Install the new steering column lower bearing adapter assembly, and the new steering column lower shaft retainer to the column. Measure 154 mm (6.06 in) from the end of the steering column lower shaft (2) and draw a line around the shaft at that point (1).



2.2. Install a new steering column lower bearing adapter assembly (2) to the steering column. Ensure the bearing adapter is fully seated with retaining tabs secured.



2.3. Install the lower steering column retainer (1) to the measurement mark.



2.4. Verify 3-5 mm (0.12-0.20 in) gap exists between lower shaft retainer and lower bearing assembly.

Parts Information

Part Number	Usage	Description	Qty
23354103	(N38, N37)	Adapter-STRG SHF LWR BRG	1
7847029	(N38, N37)	Retainer (Lower Shaft to Bearing)	1

Warranty Information

For vehicles repaired under warranty use:

Labor Operation	Description	Labor Time
7441620	Steering Shaft Lower Bearing Adapter Replacement	Use Published Labor Operation Time

GM bulletins are intended for use by professional technicians, NOT a "do-it-yourselfer". They are written to inform these technicians of conditions that may occur on some vehicles, or to provide information that could assist in the proper service of a vehicle. Properly trained technicians have the equipment, tools, safety instructions, and know-how to do a job properly and safely. If a condition is described, DO NOT assume that the bulletin applies to your vehicle, or that your vehicle will have that condition. See your GM dealer for information on whether your vehicle may benefit from the information.



WE SUPPORT VOLUNTARY TECHNICIAN CERTIFICATION