



Service Bulletin

INFORMATION

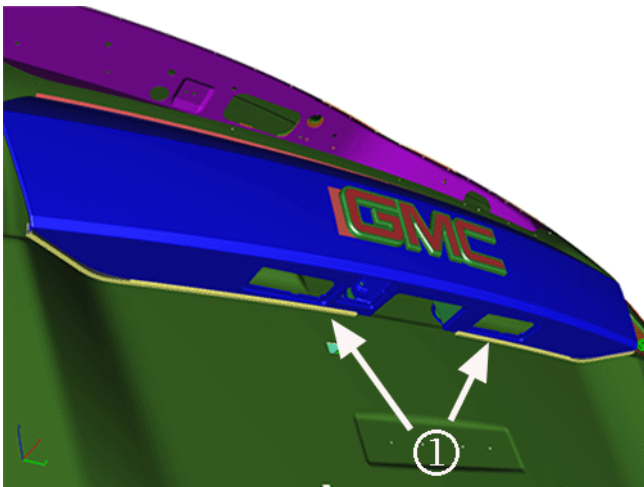
Subject: Availability of Insulator Service Part for Prevention of Liftgate Rust/Corrosion at Center Applique

Models: 2010-2015 GMC Terrain

Attention: This Bulletin also applies to any of the above models that may be Middle East Export vehicles.



On some vehicles, due to the applique contacting and rubbing on the liftgate painted surface, rust spots (shown circled above) may be evident at the lower corners of the center chrome applique on the rear liftgate.



When repairing this rust spot condition, a new two-piece insulator service part (1) should be installed between the applique and the liftgate.

Prior to installing the insulator, it will be necessary to remove the original applique and repair any rust spot condition following common industry standards. For removal and reinstallation of the applique, refer to Liftgate Applique Replacement (Terrain), in SI.

Parts Information

Part Number	Description
23239250	INSULATOR-RR CLSR CTR APLQ

GM bulletins are intended for use by professional technicians, NOT a "do-it-yourselfer". They are written to inform these technicians of conditions that may occur on some vehicles, or to provide information that could assist in the proper service of a vehicle. Properly trained technicians have the equipment, tools, safety instructions, and know-how to do a job properly and safely. If a condition is described, DO NOT assume that the bulletin applies to your vehicle, or that your vehicle will have that condition. See your GM dealer for information on whether your vehicle may benefit from the information.



WE SUPPORT VOLUNTARY TECHNICIAN CERTIFICATION