



NEW FLYER

SERVICE MANUAL BULLETIN

This Service Manual Bulletin is prepared by the Publications Department of New Flyer Industries Canada ULC. Refer to details below.

SMB-122

ISSUE DATE: Dec 20 2012

APPLICABILITY					
VEHICLE LENGTH	<input type="checkbox"/> 30ft.	<input type="checkbox"/> 35ft.	<input checked="" type="checkbox"/> 40ft.	<input checked="" type="checkbox"/> 60ft.	<input type="checkbox"/> ALL
VEHICLE TYPE	<input type="checkbox"/> High Floor	<input type="checkbox"/> Low Floor	<input type="checkbox"/> Invero	<input checked="" type="checkbox"/> Xcelsior	<input type="checkbox"/> ALL
FUEL TYPE	<input checked="" type="checkbox"/> Diesel	<input type="checkbox"/> Electric	<input checked="" type="checkbox"/> CNG	<input type="checkbox"/> LNG	<input type="checkbox"/> ALL
	<input checked="" type="checkbox"/> Diesel/Electric	<input type="checkbox"/> Gas/Electric	<input type="checkbox"/> Fuel Cell		
SUBJECT	Rear Axle Housing Oil Filter Replacement				
SECTION TITLE	PM - PREVENTIVE MAINTENANCE 2 - REAR AXLE & SUSPENSION				
DETAILS	<p>This bulletin provides servicing information for the Rear Axle Housing Oil Filter used on your New Flyer vehicle with HY-1336-F or HY-1350-F rear axles.</p> <p>Refer to Parts Manual Bulletin PMB-040 for a complete listing of parts affected.</p> <p>This information supersedes any prior information on this subject already provided in your New Flyer Manuals. Make this Service Bulletin available to service personnel to inform them of changed information.</p>				

1. Rear Axle Housing Oil Filter

1.1. Purpose

This bulletin is issued to ensure that all users are aware of the presence of an oil filter within the axle housing and its requirement for replacement.

1.2. Oil Filter Change Requirement

Replace the oil filter when the differential assembly is being repaired or overhauled or it is removed from the axle housing.

1.3. Rear Axle Housing Oil Filter Replacement

1. Prior to installing the differential assembly into the axle housing, remove the oil filter, located in the upper area of the axle housing. See “Fig. 1: Rear Axle Housing Oil Filter” on page 2.
2. Install a new oil filter with new bolts and washers. DO NOT attempt to clean the oil filter.

NOTE:

If new self-locking bolts are not readily available, it is permissible to clean the thread locking compound from the original bolts and reapply medium strength thread locking compound.

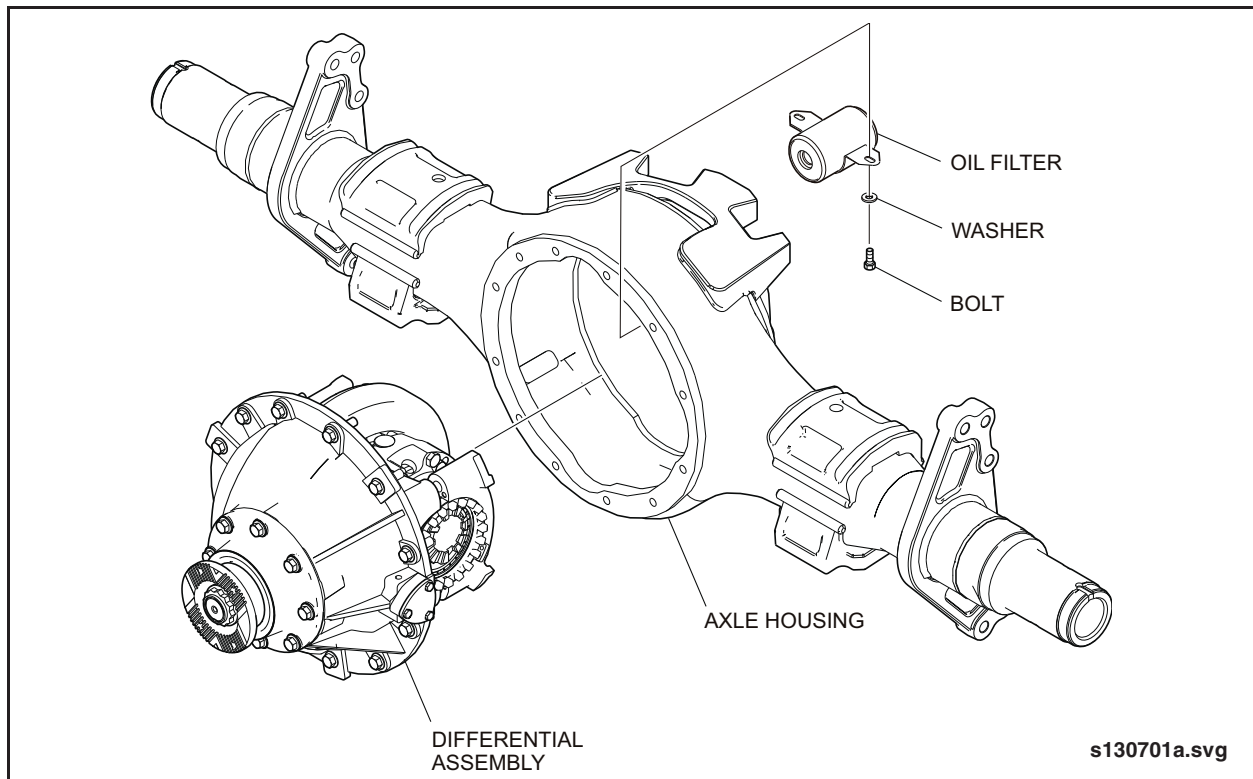


Fig. 1: Rear Axle Housing Oil Filter