



To All Lamborghini Dealers and Licensed Service Point
From Customer Service Department
Subject Coil Airhole
Group LB824.1.03
Attachments -
Date 30.10.2006
Pages 4

Automobili
Lamborghini
S.p.A.

Subject

Coil Airhole

Model / VIN-Range

Murcielago LP640 from VIN B71805 to VIN B72200.

Attention: Please carefully check on the Lamborghini Web-portal to verify the VIN-Info and if the car is affected by this bulletin before the start of any activity.

Information to the field

The new engine can have water infiltration into the coils compartment.

Field solution

In order to avoid water entering into the coils it is necessary to close the indicated holes on the timing system cover of the 6.5 L engine, using an heat resistant glue .
The small holes are not necessary because the coils are a self-breather type.

Spare Parts

Not needed.



Warranty Claim data

The warranty reimbursement request for this rework action will be managed by the following standard Warranty Claim procedure.

Campaign Code: **L824-B.01.06**
Campaign Description: **Coil Airhole**
Cost Code: **55**
Component Code: **CCB0106**
Trouble Code: **220**
Labour code: **CCB0106100**
Labour Time: **1,25 h.**

Automobili Lamborghini will accept a maximum Labour Time of 1,25 h per car comprehensive of the putty cost.

Your Area Manager is at full disposal for further information.

Best regards

Customer Service



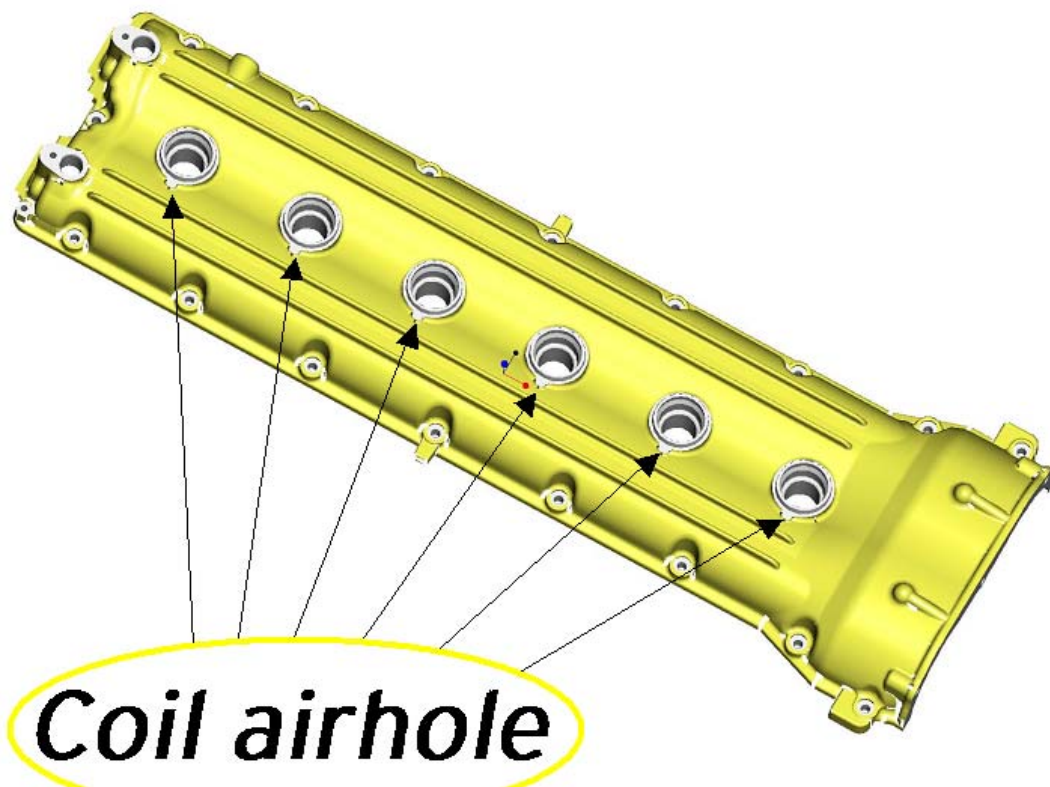
Necessary material

- 1.1 A stick of Loctite 3463 Metal Magic Steel (dual component stick) or Aluminium putty (F) Devcon , a degreaser product (Loctite 7063) and a putty knife.

Description of operations

- 1.2 Adopt all precautions to work safe and prevent car damages.
- 1.3 There is no mechanical disassemble to perform in this operation you have only to degrease (using Loctite 7063 or similar) and then to clean the surface of the engine head.

Pict. 1



- 1.4 Using the putty knife; put the putty in the twelve holes in order to close them and then remove the excess putty as seen in picture 2.

3-4

and intended exclusively for authorized operators and individuals. All copyrights are the property of Automobili Lamborghini S.p.A based on copyright law. The company reserves the right to make updates and modifications. The reprinting, reproduction, forwarding to unauthorized people and/or to third parties and partial or entire translation thereof are prohibited without written authorization from Automobili Lamborghini S.p.A.

Pict. 2



1.5 After 30 minutes from this putty application is possible to start the engine.