



To All Lamborghini Dealers and Licensed Service Point
From Customer Service Department
Subject Chain Tensioner Torque.
Group 1.03.00
Date 22/12/2011
Pages 5

Subject

Chain tensioner torque.

Model

Aventador LP700 MY 2012 From VIN CLA0091 to VIN CLA00188.

Warning: some vehicles included in this VIN range may not be affected, so check carefully on the Lamborghini WEB Portal (at the section named VIN Info) if the cars in your workshop or in your eventual stock are effectively affected before performing any other operation.

Information to the field

As a continuous product monitoring, Automobili Lamborghini Spa has found that on some vehicle an incorrect torque may be applied to the chain tensioner sporadically causing a seepage.

Field solution

Retightened the chain tensioner with an increased torque

The information and procedures published below are strictly confidential and intended exclusively for authorized operators and individuals. All copyrights are the property of Automobili Lamborghini S.p.A based on copyright law. The company reserves the right to make updates and modifications. The reprinting, reproduction, forwarding to unauthorized people and/or to third parties and partial or entire translation thereof are prohibited without written authorization from Automobili Lamborghini S.p.A.




Warranty Claim data

The warranty reimbursement request for this rework action will be managed by the following standard Warranty Claim procedures.

Campaign Code: L834-A.05.11
Campaign Description: Chain tensioner torque
Cost Code: 50
Component Code: CCA0511
Trouble Code: 220
Labour Code: CCA0511100
Labour Time: 0,4 h

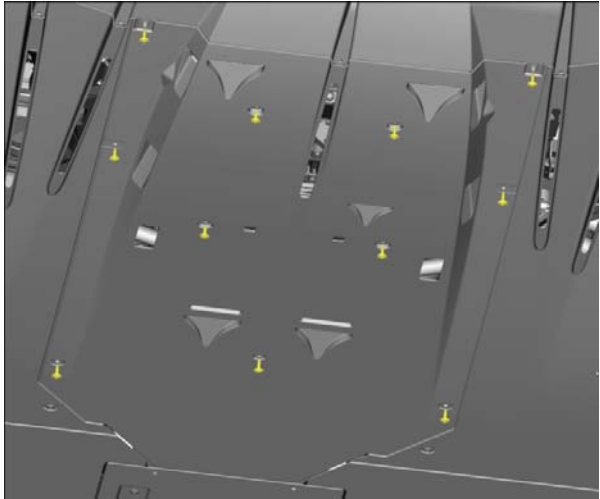
Remember to fill all data in the section “Service and Recall Campaign” in the Warranty booklet of the vehicle as shown below.

Automobili Lamborghini S.p.A.			
Campagne service assistenza e campagne di richiamo / Service-und Rückrufaktion / Service and Recall Campaign			
Service et campagne de rappel / Campaña de Servicio y Llamada a Taller			
Service/Service Service/Service Servicio	<input type="checkbox"/>	Richiamo/Rückruf Recall/Rappel Llamada a Taller	<input type="checkbox"/>
Numero/Nummer Number/Numéro Número	<input type="text"/>		
Data/Datum/Date/Date/Fecha	<input type="text"/>		
Data riparazione/Reparaturdatum Repair Data/Date de réparation Fecha reparación	<input type="text"/>		
Eseguito dal Concessionario / Ausgeführt von der Vertragswerkstatt / Done by the Dealer Efectuado por le concessionnaire / Efectuado por el Concesionario			
Firma / Unterschrift / Signature / Signature / Firma			
Service/Service Service/Service Servicio	<input type="checkbox"/>	Richiamo/Rückruf Recall/Rappel Llamada a Taller	<input type="checkbox"/>
Numero/Nummer Number/Numéro Número	<input type="text"/>		
Data/Datum/Date/Date/Fecha	<input type="text"/>		
Data riparazione/Reparaturdatum Repair Data/Date de réparation Fecha reparación	<input type="text"/>		
Eseguito dal Concessionario / Ausgeführt von der Vertragswerkstatt / Done by the Dealer Efectuado por le concessionnaire / Efectuado por el Concesionario			

The information and procedures published below are strictly confidential and intended exclusively for authorized operators and individuals. All copyrights are the property of Automobili Lamborghini S.p.A based on copyright law. The company reserves the right to make updates and modifications. The reprinting, reproduction, forwarding to unauthorized people and/or to third parties and partial or entire translation thereof are prohibited without written authorization from Automobili Lamborghini S.p.A.



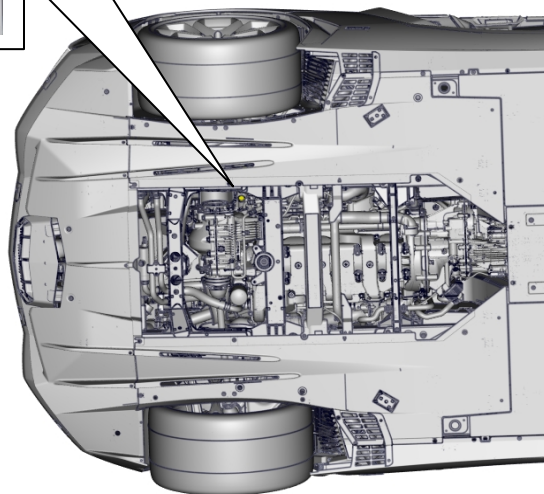
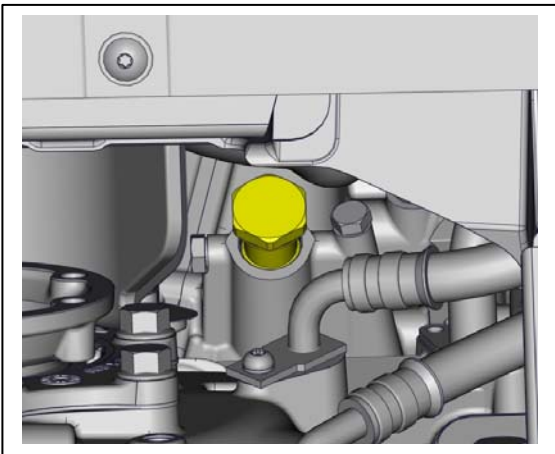
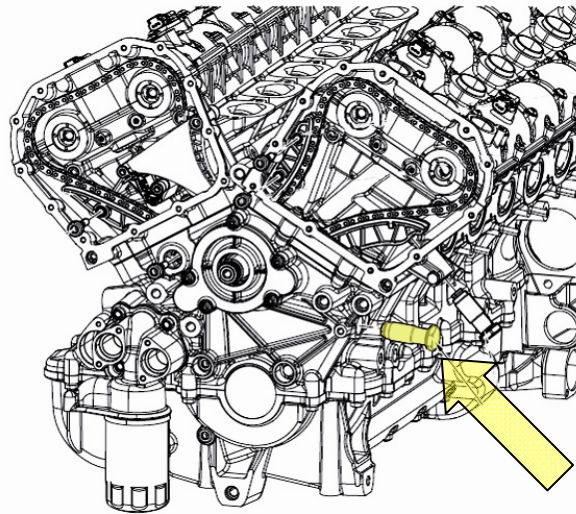
Operation description

1	Operation to be performed at cold engine.
2	Place the car on a suitable lift in order to work safe from risks.
3	<p>Remove the rear central panel of the vehicle flat bottom (082503).</p>  A 3D CAD model of a vehicle chassis, viewed from a top-down perspective. The model is dark grey. Several yellow callout markers, resembling small 'T' shapes, are placed on the flat bottom surface of the chassis, indicating the locations for the removal of the rear central panel (part 082503).

The information and procedures published below are strictly confidential and intended exclusively for authorized operators and individuals. All copyrights are the property of Automobili Lamborghini S.p.A based on copyright law. The company reserves the right to make updates and modifications. The reprinting, reproduction, forwarding to unauthorized people and/or to third parties and partial or entire translation thereof are prohibited without written authorization from Automobili Lamborghini S.p.A.

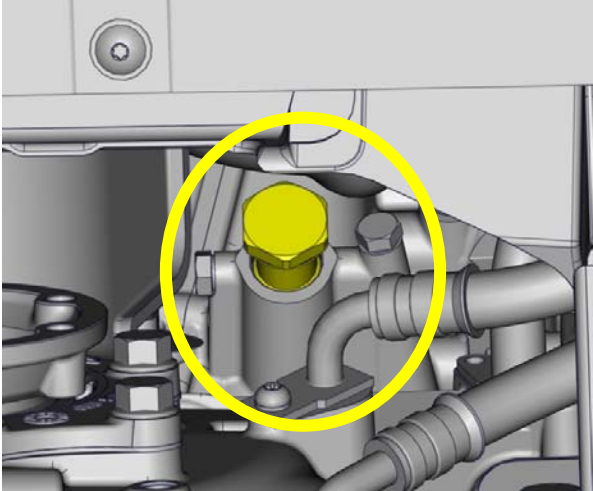


4 Locate the work area



The information and procedures published below are strictly confidential and intended exclusively for authorized operators and individuals. All copyrights are the property of Automobili Lamborghini S.p.A based on copyright law. The company reserves the right to make updates and modifications. The reprinting, reproduction, forwarding to unauthorized people and/or to third parties and partial or entire translation thereof are prohibited without written authorization from Automobili Lamborghini S.p.A.



<p>5</p>	<p>Check with a torque wrench that the value applied to the chain tensioner bolt is equal to 55Nm, in case is lower tighten it under specification.</p> <p>Prescribed torque: 55Nm.</p>	
----------	---	--

Reassembly

<p>1</p>	<p>Refit the rear central portion of the vehicle flat bottom (082505).</p>
----------	---

Your Area Manager is at full disposal for further information.

Best regards

Customer Service

The information and procedures published below are strictly confidential and intended exclusively for authorized operators and individuals. All copyrights are the property of Automobili Lamborghini S.p.A based on copyright law. The company reserves the right to make updates and modifications. The reprinting, reproduction, forwarding to unauthorized people and/or to third parties and partial or entire translation thereof are prohibited without written authorization from Automobili Lamborghini S.p.A.