



To All Lamborghini Dealers and Licensed Service Point .
From Customer Service Department.
Subject Haldex Fluid Level Check.
Group 04.09.00
Date 29/06/12
Pages 4

Subject

Haldex Fluid level check.

Model

Lamborghini Aventador LP-700 My 2012 from Vin CLA00091 to CLA00785

Warning: some vehicles included in this VIN range may not be affected, so check carefully on the Lamborghini WEB Portal (at the section named VIN Info) if the cars in your workshop or in your eventual stock are effectively affected before performing any other operation.

Information to the field

As a continuous product monitoring, Automobili Lamborghini Spa has found that on some vehicles Haldex fluid level might be slightly lower than the prescribed quantity; such situation under severe usage conditions may cause noise.

Field solution.

Check and in case top Haldex fluid level.

Spare parts

P/N	Description	Q
0B9525820	- Fluid plug	1
470498001 ^(*)	- LSC transmission fluid 301 (1 Lt)	1

(*)Important remark: the time necessary for this operation has been increased so that the labour amount refunded includes the cost of fluid employed.

The information and procedures published below are strictly confidential and intended exclusively for authorized operators and individuals. All copyrights are the property of Automobili Lamborghini S.p.A based on copyright law. The company reserves the right to make updates and modifications. The reprinting, reproduction, forwarding to unauthorized people and/or to third parties and partial or entire translation thereof are prohibited without written authorization from Automobili Lamborghini S.p.A.



How to handle the replaced parts

The replaced plugs must be stored with care and each one must be accompanied by its relative identification tag.

The parts can be scrapped only upon approval by the Service Area Manager in charge.

Warranty Claim data

The warranty reimbursement request for this rework action will be managed by the following standard Warranty Claim procedures.

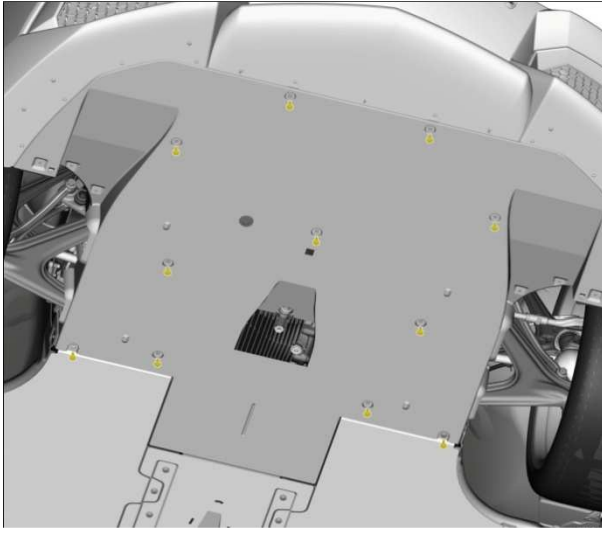
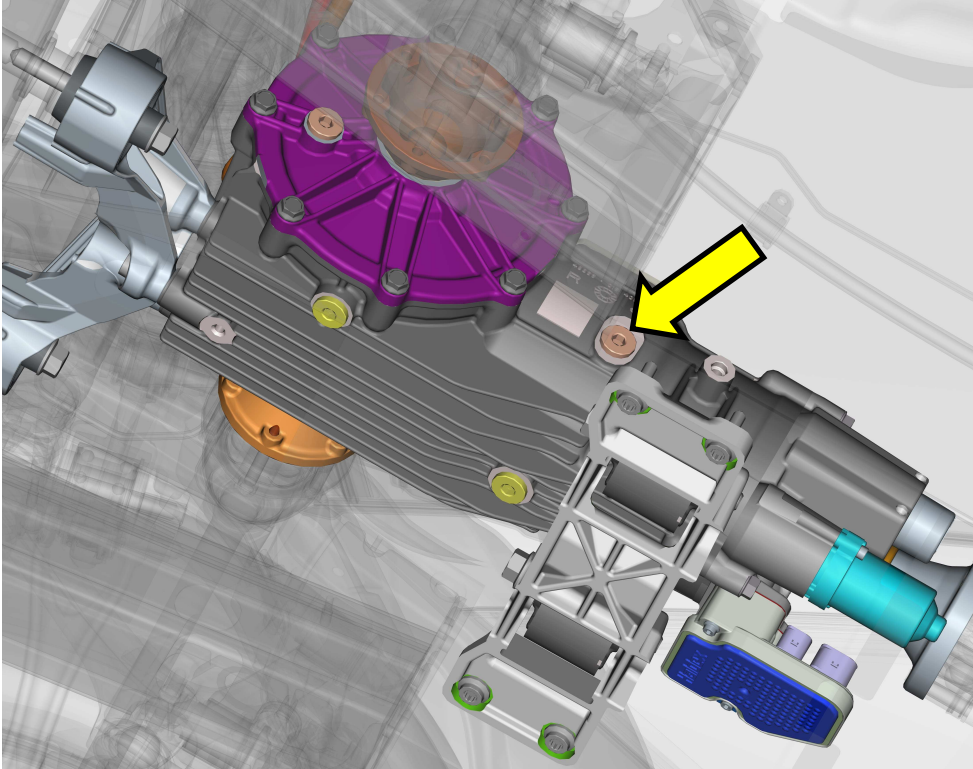
Campaign Code: L834-A.04.12
Campaign Description: Haldex fluid level check
Cost Code: 50
Component Code: CCA0412
Trouble Code: 220
Labour Code: CCA0412100
Labour Time: 0.70 h

Fill out the Service and Recall Campaign section in the warranty booklet, which is shown in the figure below.

The information and procedures published below are strictly confidential and intended exclusively for authorized operators and individuals. All copyrights are the property of Automobili Lamborghini S.p.A based on copyright law. The company reserves the right to make updates and modifications. The reprinting, reproduction, forwarding to unauthorized people and/or to third parties and partial or entire translation thereof are prohibited without written authorization from Automobili Lamborghini S.p.A.


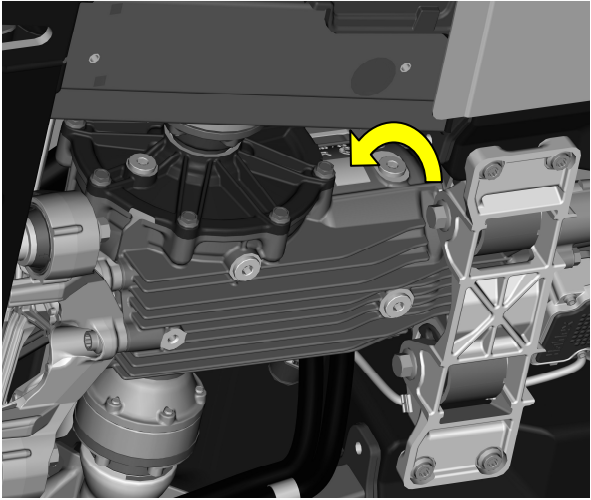

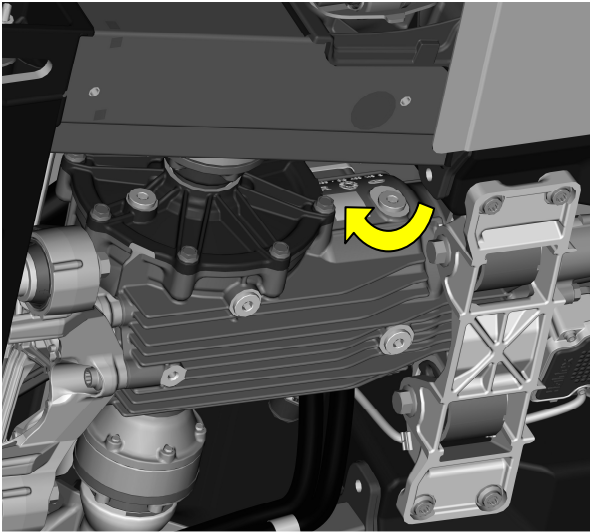


Operarion Description

1	Operation to preform rigorously at cold engine.
2	Place the vehicle on a suitable before jacking in order to work safe from risks.
3	<p data-bbox="256 689 635 757">Remove the front underbody panel (082503).</p> 
4	<p data-bbox="256 1003 1117 1037">Localize the working area: the point of Haldex refill or inspection.</p> 

The information and procedures published below are strictly confidential and intended exclusively for authorized operators and individuals. All copyrights are the property of Automobili Lamborghini S.p.A based on copyright law. The company reserves the right to make updates and modifications. The reprinting, reproduction, forwarding to unauthorized people and/or to third parties and partial or entire translation thereof are prohibited without written authorization from Automobili Lamborghini S.p.A.



<p>5</p>	<p> WARNING! Wait until the vehicle cooling off period is over!</p> <p>Screw the oil inspection plug off.</p> <p>Add Fluid with assistance of a syringe until it comes out from the inspection hole.</p> <p>Wait 10 minutes (the oil level will slowly go down).</p>	
<p>6</p>	<p>Repeat the top up as described at step 3.</p>	
<p>7</p>	<p> Important remark! Replace the plug (with the seal ring)!</p> <p>Screw the inspection plug.</p> <p>Tightening torque (32 Nm \pm10%).</p>	
<p>8</p>	<p>Refit the front underbody panel (082505).</p>	
<p>9</p>	<p>Remove the vehicles from the lift (000000).</p>	

Your Area Manager is at full disposal for further information.

Best regards

Customer Service .

The information and procedures published below are strictly confidential and intended exclusively for authorized operators and individuals. All copyrights are the property of Automobili Lamborghini S.p.A based on copyright law. The company reserves the right to make updates and modifications. The reprinting, reproduction, forwarding to unauthorized people and/or to third parties and partial or entire translation thereof are prohibited without written authorization from Automobili Lamborghini S.p.A.