

**Subject**

Glass engine bonnet replacement

Model

Lamborghini Huracán, model year 2015 sold in **Brazil; Canada; Mexico and USA**, included in one of the two list below:

A. Style Package cars:

ZH...FLA00653	ZH...FLA00693	ZH...FLA00763
ZH...FLA00662	ZH...FLA00697	ZH...FLA00772
ZH...FLA00664	ZH...FLA00700	ZH...FLA00781
ZH...FLA00667	ZH...FLA00706	ZH...FLA00790
ZH...FLA00669	ZH...FLA00714	ZH...FLA00796
ZH...FLA00671	ZH...FLA00726	ZH...FLA00810
ZH...FLA00677	ZH...FLA00732	ZH...FLA00815
ZH...FLA00681	ZH...FLA00735	ZH...FLA00817
ZH...FLA00686	ZH...FLA00738	ZH...FLA00819
ZH...FLA00687	ZH...FLA00742	ZH...FLA00820
ZH...FLA00689	ZH...FLA00747	
ZH...FLA00691	ZH...FLA00753	

B. Cars with standard bonnet:

ZH...FLA00516	ZH...FLA00567	ZH...FLA00629
ZH...FLA00517	ZH...FLA00569	ZH...FLA00630
ZH...FLA00518	ZH...FLA00571	ZH...FLA00631
ZH...FLA00519	ZH...FLA00572	ZH...FLA00632
ZH...FLA00520	ZH...FLA00573	ZH...FLA00633
ZH...FLA00521	ZH...FLA00574	ZH...FLA00635
ZH...FLA00525	ZH...FLA00578	ZH...FLA00636
ZH...FLA00526	ZH...FLA00579	ZH...FLA00640
ZH...FLA00527	ZH...FLA00580	ZH...FLA00642
ZH...FLA00528	ZH...FLA00581	ZH...FLA00672
ZH...FLA00529	ZH...FLA00582	ZH...FLA00674
ZH...FLA00530	ZH...FLA00585	ZH...FLA00679
ZH...FLA00531	ZH...FLA00586	ZH...FLA00684
ZH...FLA00541	ZH...FLA00589	ZH...FLA00699
ZH...FLA00543	ZH...FLA00591	ZH...FLA00712
ZH...FLA00547	ZH...FLA00592	ZH...FLA00715
ZH...FLA00549	ZH...FLA00593	ZH...FLA00716
ZH...FLA00550	ZH...FLA00599	ZH...FLA00727
ZH...FLA00552	ZH...FLA00601	ZH...FLA00729
ZH...FLA00553	ZH...FLA00605	ZH...FLA00739
ZH...FLA00554	ZH...FLA00607	ZH...FLA00761
ZH...FLA00555	ZH...FLA00609	ZH...FLA00762
ZH...FLA00556	ZH...FLA00610	ZH...FLA00768
ZH...FLA00557	ZH...FLA00611	ZH...FLA00780
ZH...FLA00558	ZH...FLA00612	ZH...FLA00783
ZH...FLA00559	ZH...FLA00617	ZH...FLA00786
ZH...FLA00560	ZH...FLA00618	ZH...FLA00797
ZH...FLA00561	ZH...FLA00619	
ZH...FLA00566	ZH...FLA00623	

Warning: some vehicles included in this VIN range may not be involved, so check carefully on the Lamborghini WEB Portal (at the section named VIN Info) if the cars in your workshop or in your dealer stock are involved before performing any other operation.

Information to the field

In the course of continuous product monitoring and internal tests, Automobili Lamborghini S.p.A. has determined that, in rare cases, incorrect tensioning during the factory mounting of the rear engine bonnet safety glass can result in cracking of the rear bonnet glass.

Field solution

Replace glass bonnet.

Spare parts

The parts listed below **are not orderable on the online Spare Parts catalogue**; please fill in the **spare parts ordering form** that you can find posted with this bulletin on the same portal session, email to:

spareparts.order@lamborghini.com

Mandatory information are:

- VIN
- Glass bonnet configuration^(*)

^(*)Check in **LOOM** for the exact bonnet configuration.

P/N.	P/N Description	Q
4T0898825	<u>Style Package kit</u> : bonnet with preinstalled glass pane and grille coated in gloss black painting. For cars <u>sold with Style Package only</u>	1
4T0898825A	<u>Standard glass bonnet kit</u> : for vehicles that fit mat black coated grille.	1

Replaced parts management.

Tag the parts properly with bar code form and invoice for customs duties and **send them back** to the following address:

Automobili Lamborghini SpA
Technical Support
Via Modena 12
40019 S. Agata Bolognese BO - ITALY

Warranty data

Please, for reimbursement, file a warranty claim using data listed below:

A. Style package glass bonnet

Campaign Code: L62X-A.01.15
Campaign Des.: Glass bonnet replacement.

L62X-A.01.15
&
L62X-A.01.15

To: **Lamborghini Official Service Network**
Subject: **Glass bonnet replacement**
Date: **23rd/01/2015**
Page **4**



Cost code: **50**
Component code: **CCA0115**
Trouble code: **220**
Labor code: **CCA0115100**
Labor Time: **0,7 h**

B. Mat Bonnet (Standard):

Campaign Code: **L62X-A.02.15**
Campaign Des.: **Glass bonnet replacement.**
Cost code: **50**
Component code: **CCA0215**
Trouble code: **220**
Labor code: **CCA0215100**
Labor Time: **0,7 h**

Remember to fill all data in the section “Service and Recall Campaign” in the Warranty booklet of the vehicle as shown below.

Necessary material

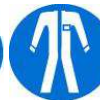


Bonnet with pre-installed glass and grille (gloss or matt depending on the “Style package” presence).

Repair instructions.



ATTENTION.



- Operation to be performed at **cold engine!**
- Place **one or more support** systems **to prevent** the posterior bonnet **from falling!**
- To perform the following procedure it **is necessary** the **aid of a second operator** to support the bonnet during disassembly!

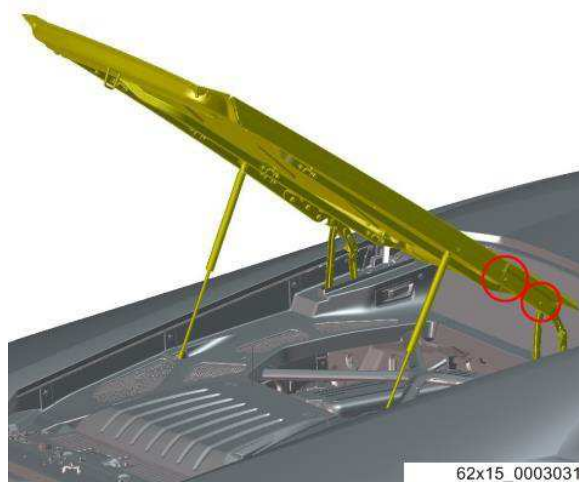
1. Release panel coated in car body color from bonnet.
Remove the two fastening screws from front cover.

Fastener tightening:
torque **2.5 Nm.**



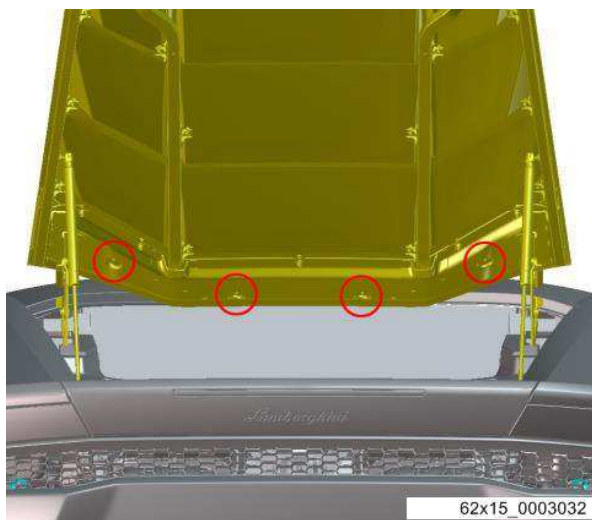
Warning.

Operation must be performed on both sides.



Remove the 4 fixing nuts from the front cover.

Nut tightening:
torque **5.5 Nm.**



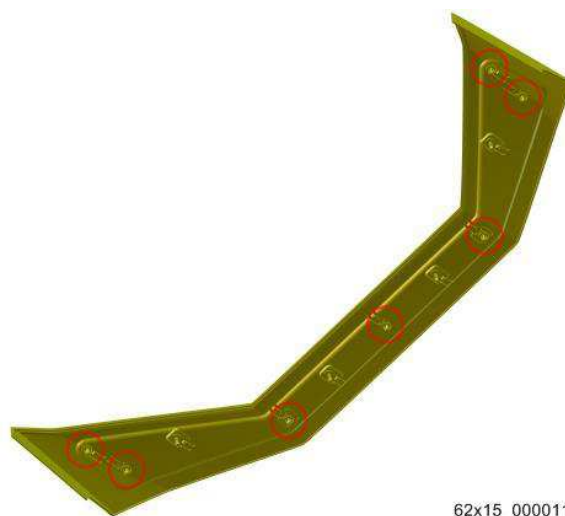
Plastic tools such as those shown in the figure should be used to avoid damaging the painting of the cover.



62x15_0003261

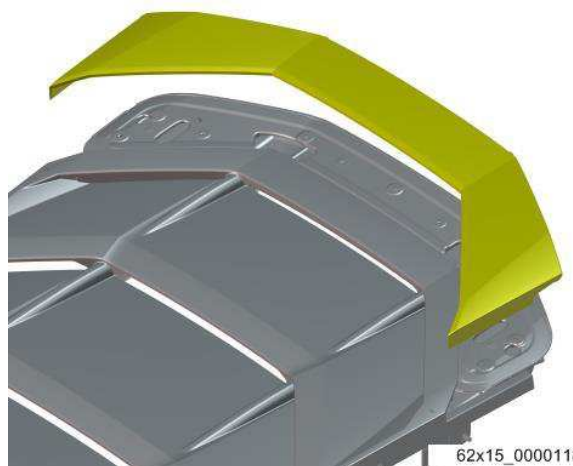
Pry the indicated fixing points and release the front cover from the bonnet.

The cover is fixed to the bonnet with 7 small elastic springs.



62x15_0000117

Remove the cover paying attention not to spoil the painting.



62x15_0000118

2. Release bonnet from gas springs.



Warning.

TWO operators are NEEDED for this step.

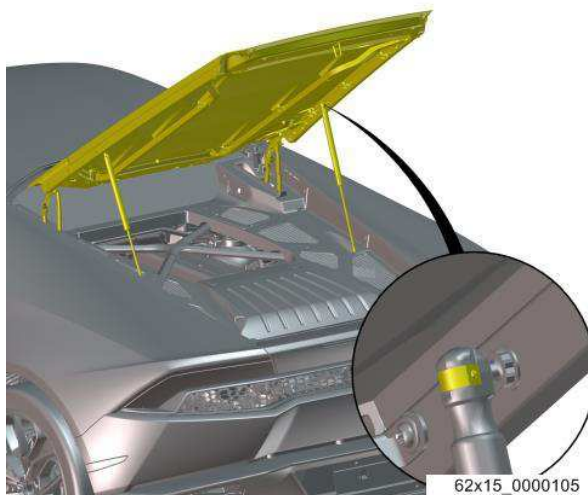
Operator 1: Hold up the bonnet in the posterior part.

Operator 2: Pry over the small spring and hence release the gas spring.



Warning.

to be performed on both sides.



3. Bonnet release from Hinges.



Warning.

Procedure to be carried out by **2 operators**

Operator 1: hold up the bonnet in the posterior part.

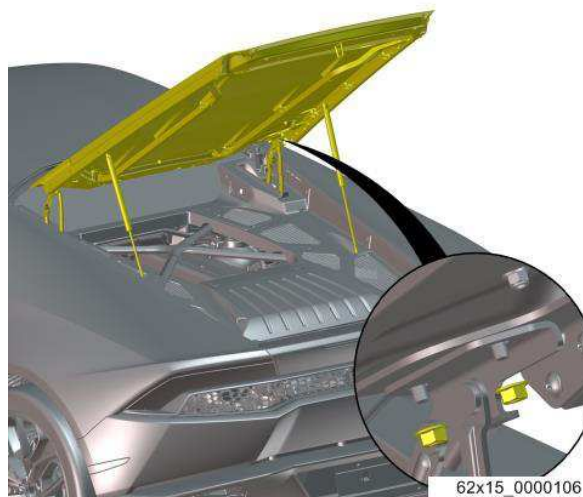
Operator 2: remove the 2 fixing nuts that secure the bonnet to the hinge.

Nut tightening:
torque **22 Nm**.



Warning.

to be performed on both sides.



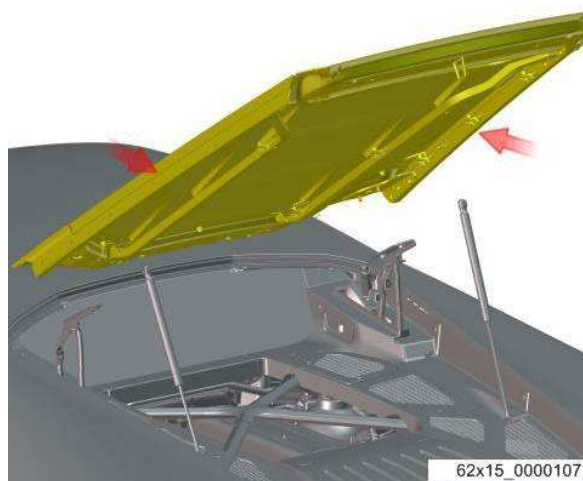
4. Bonnet removal from vehicle.



Warning.

Procedure to be carried out by **2 operators**

Operators 1 and 2: While holding up the bonnet from both sides, remove it from the vehicle.



5. Reassembly the new bonnet following the disassembly instructions in reverse order.