

Quality Control and Procedure

L147.A-01.02

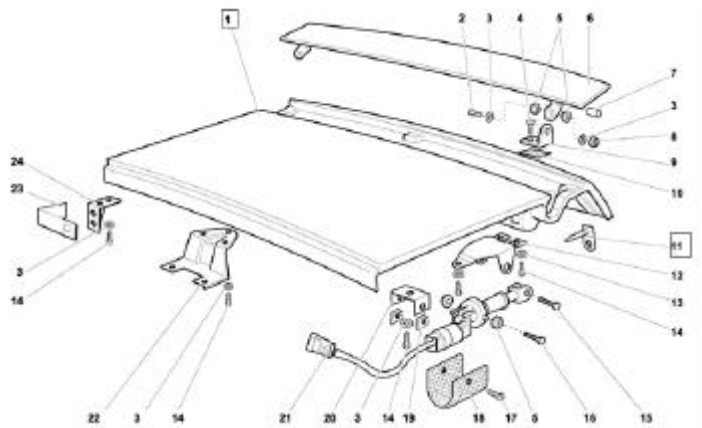


Muffler hood brackets check (p/n 73010713 and 73010714)

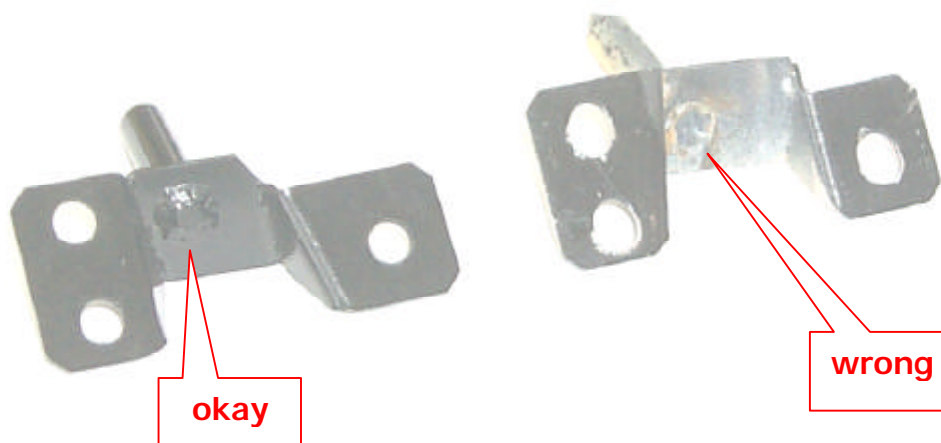
1.1 Before carrying out this procedure check the engine is cold (it must be turned off at least for one hour)

1.2 Remove the rear silencer covering grid

1.3 Disassemble the muffler hood (ref. nr.1)




1.4 Check both brackets (right and left ref nr.11). If the welding on the base is missing (see the picture below) you must replace them



1.5 Please fill out the standard warranty claim form and stick on the last page of the Warranty Booklet (see the following page) the special sticker(p/n 901475000)

Quality Control and Procedure L147.A-01.02



<p>Automobili Lamborghini Service Campaign</p> <p><input type="text"/><input type="text"/><input type="text"/><input type="text"/><input type="text"/>-<input type="text"/><input type="text"/><input type="text"/><input type="text"/><input type="text"/><input type="text"/><input type="text"/><input type="text"/><input type="text"/><input type="text"/></p> <p>Numero - Nummer - Number</p> <p>Data - Datum - Date <input type="text"/><input type="text"/> / <input type="text"/><input type="text"/> / <input type="text"/><input type="text"/></p> <p>Eseguito dal Concessionario - Ausgeführt vom Händler - Done by Dealer _____</p> <p>Firma - Unterschrift - Signature _____</p>		<p style="writing-mode: vertical-rl; transform: rotate(180deg);">pin 011 475006</p>
--	---	---