

TECHNICAL BULLETIN  
JTB00370NAS1  
05 AUG 2014



© Jaguar Land Rover North America, LLC

NOTE: The information in Technical Bulletins is intended for use by trained, professional Technicians with the knowledge, tools, and equipment required to do the job properly and safely. It informs these Technicians of conditions that may occur on some vehicles, or provides information that could assist in proper vehicle service. The procedures should not be performed by 'do-it-yourselfers'. If you are not a Retailer, do not assume that a condition described affects your vehicle. Contact an authorized Jaguar service facility to determine whether this bulletin applies to a specific vehicle.

**SECTION: 412-01**

Condensation on Instrument Panel Center Vent

**AFFECTED VEHICLE RANGE:**

**F-TYPE (X152)**

**Model Year:** 2014 Onwards  
**VIN:** K00001 Onwards

**MARKETS:**

NAS

**CONDITION SUMMARY:**

**Situation:** Condensation may be evident on the instrument panel center vent.

**Cause:** This may be caused by a difference in air/trim temperature, resulting in condensation forming on top of the instrument panel center vent.

**Action:** Should a customer express this concern, follow the Service Instruction outlined below.

**PARTS:**

T2R16021                  Foam pad    Quantity: 1

**TOOLS:**

No Tools Required

**WARRANTY:**

 **NOTE: Repair procedures are under constant review, and therefore times are subject to change; those quoted here must be taken as guidance only. Always refer to TOPIx to obtain the latest repair time.**

 **NOTE: DDW requires the use of causal part numbers. Labor only claims must show the causal part number with a quantity of zero.**

| DESCRIPTION                                    | SRO      | TIME (HOURS) | CONDITION CODE | CAUSAL PART |
|--|----------|--------------|----------------|-------------|
| Fit insulation to instrument panel center vent | 76.96.28 | 0.3          | 42             | T2R1446XXX  |

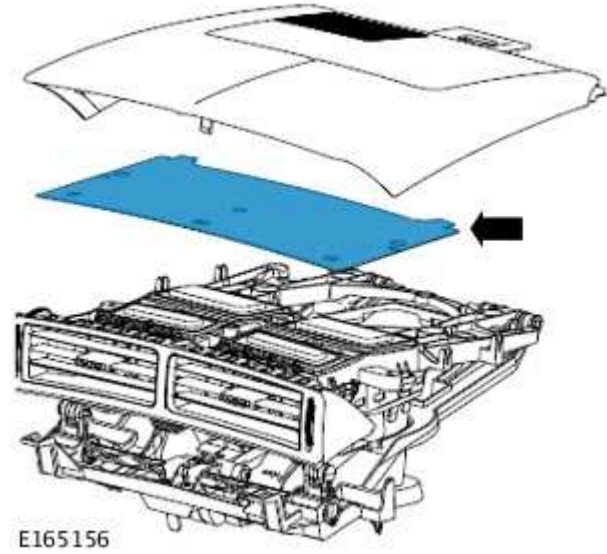
 **NOTE: Normal Warranty policies and procedures apply.**

**SERVICE INSTRUCTION:**

1.  **NOTE: Removed for access only.**

Remove the instrument panel center vent (see TOPIx Workshop Manual, section 412-01).

2. Install the foam pad to the center vent.



3. Install the instrument panel center vent (see TOPIx Workshop Manual, section 412-01).