



# Technical Service BULLETIN

December 22, 2004

## Title: **EXTENDED ENGINE CRANK** Models: '04 Tacoma & Tundra



# T S B

ENGINE  
EG052-04

**Introduction** Some 2004 model year Tacoma and Tundra vehicles may experience an “Extended Engine Crank” condition after the engine is turned OFF and then is attempted to be restarted. An improved Fuel Suction Tube Sub-assembly has been developed to correct this condition.

- Applicable Vehicles**
- **2004** model year **Tacoma** vehicles equipped with **2RZ-FE**, **3RZ-FE** and **5VZ-FE** engine.
  - **2004** model year **Tundra** vehicles equipped with **5VZ-FE** and **2UZ-FE** engine.

### Required SSTs

SPECIAL SERVICE TOOLS (SSTs)	PART NUMBER	QUANTITY
Toyota Diagnostic Tester Kit* 	01001271	1
12 Megabyte Diagnostic Tester Program Card with version 12.01a Software (or later)* 	01002593-005	1

\* Essential SSTs.

#### NOTE:

**Additional Diagnostic Tester Kits, Program Cards or other SSTs may be ordered by calling SPX/OTC at 1-800-933-8335.**

### Warranty Information

OP CODE	DESCRIPTION	MODEL	ENGINE	TIME	OFF	T1	T2
EG4019	R & R Fuel Suction Tube Sub-assembly	Tacoma	2RZ-FE	0.7	77203-04060	07	99
			3RZ-FE				
			5VZ-FE				
		Tundra	5VZ-FE	0.7	77203-0C050		
			2UZ-FE				

#### Applicable Warranty\*:

**This repair is covered under the Toyota Federal Emissions Warranty. This warranty is in effect for 36 months or 36,000 miles, whichever occurs first, from the vehicle's in-service date.**

\* Warranty application is limited to correction of a problem based upon a customer's specific complaint.



**Parts Information**

MODEL	ENGINE	PREVIOUS PART NUMBER	CURRENT PART NUMBER	PART NAME	QTY
Tacoma	2RZ-FE	77203-04060	Same	Tube Sub-assembly, Fuel Suction	1
		77169-04010	Same	Gasket, Fuel Pump	1
	3RZ-FE	77203-04060	Same	Tube Sub-assembly, Fuel Suction	1
		77169-04010	Same	Gasket, Fuel Pump	1
	5VZ-FE	77203-04070	Same	Tube Sub-assembly, Fuel Suction	1
		77169-04010	Same	Gasket, Fuel Pump	1
Tundra	5VZ-FE	77203-0C050	Same	Tube Sub-assembly, Fuel Suction	1
		77169-04010	Same	Gasket, Fuel Pump	1
	2UZ-FE	77203-0C050	Same	Tube Sub-assembly, Fuel Suction	1
		77169-04010	Same	Gasket, Fuel Pump	1

**Repair Procedure**

**Tacoma (2RZ-FE, 3RZ-FE, 5VZ-FE)**

1. Confirm customer's complaint.
2. Check fuel pressure and residual fuel pressure.  
Refer to the Technical Information System (TIS), 2004 model year Tacoma Repair Manual: *SFI (2RZ-FE) or (3RZ-FE) or (5VZ-FE): Fuel Pump: On-Vehicle Inspection.*
3. If fuel pressure falls to zero after the engine is turned OFF, proceed to replace the Fuel Suction Tube Sub-assembly.  
Refer to TIS, 2004 model year Tacoma Repair Manual: *SFI (2RZ-FE) or (3RZ-FE) or (5VZ-FE): Fuel Pump: Removal.*

**Tundra (5VZ-FE, 2UZ-FE)**

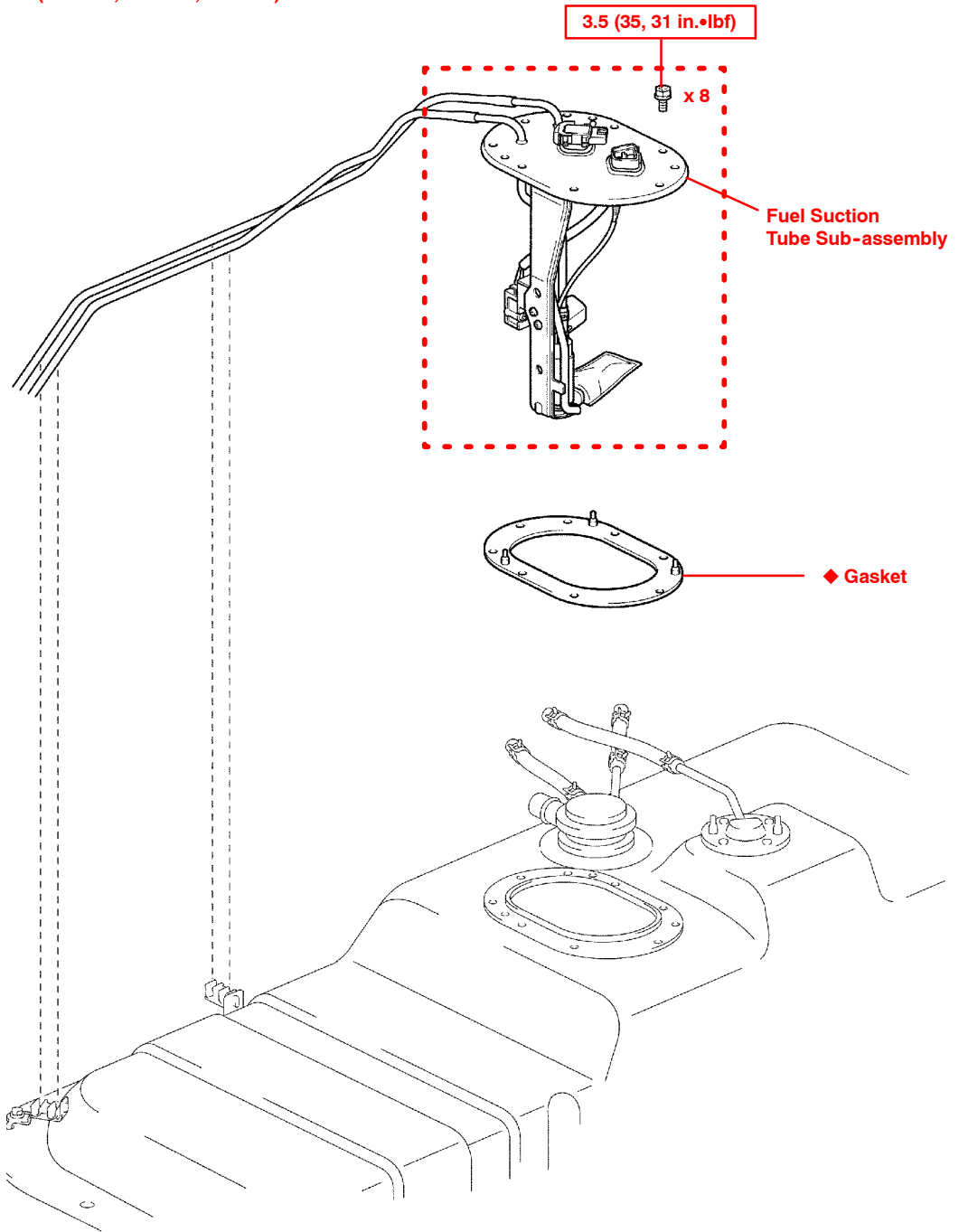
1. Confirm customer's complaint.
2. Check fuel pressure and residual fuel pressure.  
Refer to the Technical Information System (TIS), 2004 model year Tundra Repair Manual: *SFI (5VZ-FE) or (2UZ-FE): Fuel Pump: On-Vehicle Inspection.*
3. If fuel pressure falls to zero after the engine is turned OFF, replace the Fuel Suction Tube Sub-assembly.  
Refer to TIS, 2004 model year Tundra Repair Manual: *SFI (5VZ-FE) or (2UZ-FE): Fuel Pump: Removal.*

**NOTE:**

**Please refer to Parts Location diagrams on pages 3 and 4 for location of Fuel Suction Tube Sub-assembly on 2004 Tacoma and Tundra.**

Parts  
Location:  
2004 Tacoma

Tacoma (2RZ-FE, 3RZ-FE, 5VZ-FE)



Parts  
Location:  
2004 Tundra

