



# TOYOTA

## Technical Service BULLETIN

June 1, 2001

Title: **DOOR CHECK NOISE**

Models: '00 – '01 Avalon

**BODY**  
**B0018-01**

**Introduction** Some 2000 – 2001 model year Avalon vehicles may exhibit a pop or creak noise while opening/closing the door. This bulletin provides methods to remedy this condition.

- Applicable Vehicles**
- 2000 – 2001 model year **Avalon** vehicles.

**Parts Information**

PREVIOUS PART NUMBER	CURRENT PART NUMBER	PART NAME
68610-AC010	68610-AC011	Right Front Door Check Assembly
68620-AC010	68620-AC011	Left Front Door Check Assembly
68630-AC010	68630-AC011	Right Rear Door Check Assembly
68640-AC010	68640-AC011	Left Rear Door Check Assembly

**Warranty Information**

OP CODE	DESCRIPTION	TIME	OPN	T1	T2
BD1009	R & R Front Mounting Screw – First Door	0.1	90109-08295	91	81
Combo A	R & R Mounting Screw – Each Additional Door	0.1			
Combo B	R & R Door Check Assembly – Each Door	0.5			

**Applicable Warranty\*:**

**This repair is covered under the Toyota Comprehensive Warranty. This warranty is in effect for 36 months or 36,000 miles, whichever occurs first, from the vehicle's in-service date.**

\* Warranty application is limited to correction of a problem based upon a customer's specific complaint.

Index # 055306

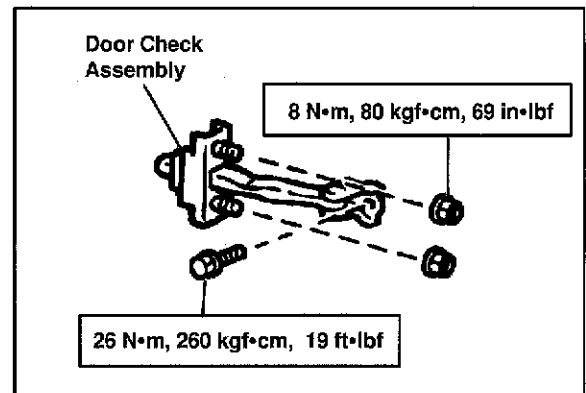


Toyota Supports ASE Certification

**Repair Procedure** Use one of the following methods to remedy the condition:

**Method A – Loose/Damaged Screw**

1. Remove the screw that attached the door check to the pillar.
2. Check for damage to the screw's threads.
3. If no damage, reinstall and tighten the screw to the specified torque.
4. If damaged, replace the screw and tighten the screw to the specified torque.
5. Cycle the door to confirm the noise was corrected.



**Method B – Damaged Door Check**

1. Remove the door trim and related components by following the procedure in the 2000 MY Avalon Repair Manual, pages BO-8 and BO-9.
2. Remove the door check assembly.
3. Install a service part door check assembly. Reinstall the screw if threads are not damaged, otherwise replace the screw.
4. Reinstall door trim and related components.
5. Cycle the door to confirm the noise was corrected.