

July 25, 2015

02012 Version 2

## Rear Door Sunshades Rattle While Driving

Supersedes 10-026. Dated July 1, 2015, to revise the information highlighted in **yellow**.

### AFFECTED VEHICLES

Year	Model	Trim	VIN Range
2014–15	RLX	Advanced, Tech Audio	ALL
2014	RLX Sport Hybrid	Advanced	ALL

### REVISION SUMMARY

Under PARTS INFORMATION, Part Number was updated.

### SYMPTOM

The sunshade frame rattles against the sides of the holder when in the stowed position.

### POSSIBLE CAUSE

There is insufficient felt tape in the channel to prevent the rattle.

### CORRECTIVE ACTION

Replace the left and/or right rear door sunshade.

### PARTS INFORMATION

Part Name	Part Number	Quantity
Sunshade Assy. Left Rear (Premium Black)	83780-TY2-A01ZA	1
Sunshade Assy. Right Rear (Premium Black)	83730-TY2-A01ZA	1
Sunshade Assy. Left Rear (Premium Gray)	83780-TY2-A01ZC	1
Sunshade Assy. Right Rear (Premium Gray)	<b>83730-TY2-A01ZC</b>	1

**CLIENT INFORMATION:** The information in this bulletin is intended for use only by skilled technicians who have the proper tools, equipment, and training to correctly and safely maintain your vehicle. These procedures should not be attempted by “do-it-yourselfers,” and you should not assume this bulletin applies to your vehicle, or that your vehicle has the condition described. To determine whether this information applies, contact an authorized Acura automobile dealer.

## WARRANTY CLAIM INFORMATION

The normal warranty applies.

Operation Number	Description	Flat Rate Time	Template ID	Failed Part Number
8211D2	Replace left side rear door sunshade.	0.3 hr	15-032N	83780-TY2-A01ZA
8221D2	Replace right side rear door sunshade.	0.3 hr	15-032P	

Use the template ID below only if both right and left sides were replaced.

Operation Number	Description	Flat Rate Time	Template ID	Failed Part Number
8211D2	Replace both rear door sunshades (left and right)	0.6 hr	15-032Q	83780-TY2-A01ZA
8221D2				

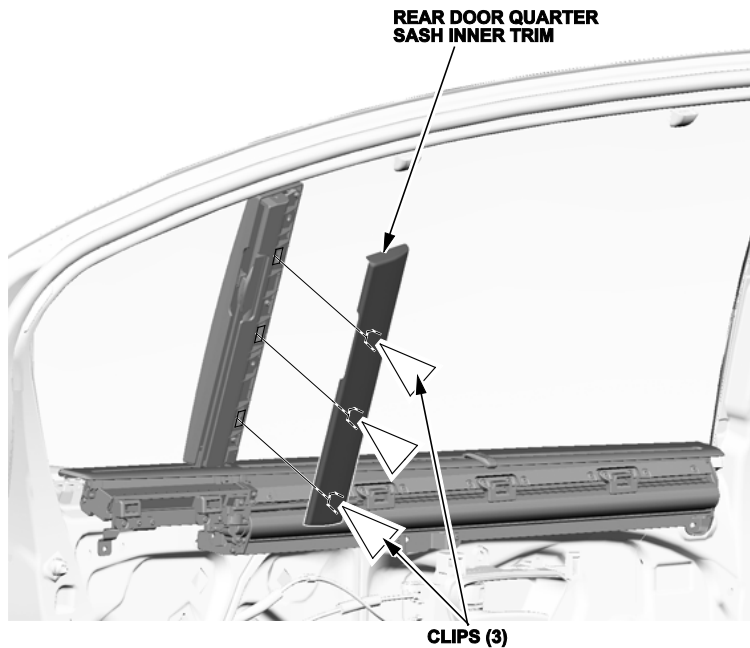
Defect Code: 07407

Symptom Code: 04501

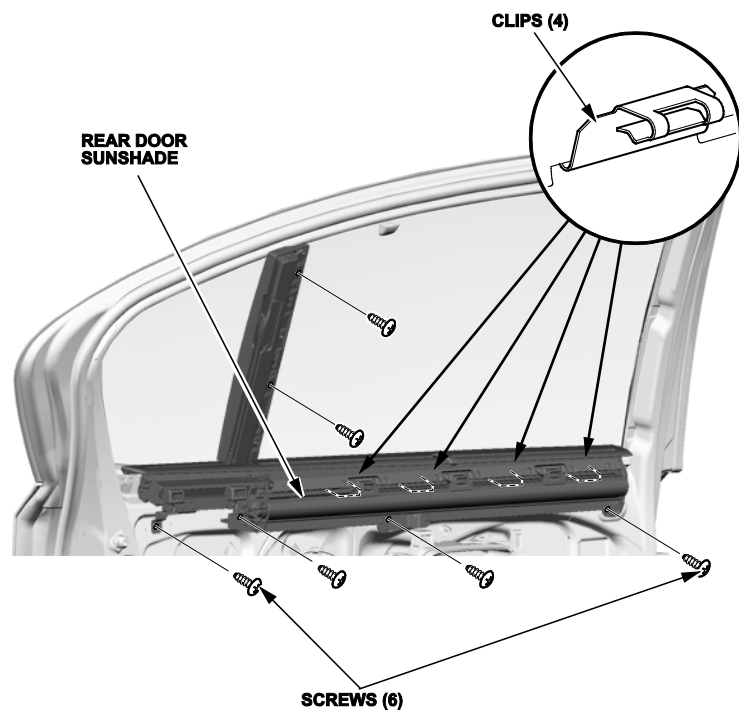
Skill Level: Repair Technician

## REPAIR PROCEDURE

1. Make sure the ignition is turned to OFF.
2. Remove rear door panel. Refer to the electronic service manual for more information.
3. Remove the rear door quarter sash inner trim.



4. Remove the rear door sunshade.



5. Install the new sunshade in the reverse order of removal.
6. Make sure the sunshade works properly.
7. Repeat for other side if necessary.

END