

May 23, 2015

01216 Version 1

HomeLink® System Has Weak or Limited Range

AFFECTED VEHICLES

Year	Model	Trim	VIN range
2014–16	MDX	ALL	ALL
2013–16	RDX	ALL	ALL
2014–16	RLX	ALL	ALL
2014 and 2016	RLX Sport Hybrid	ALL	ALL

SYMPTOM

The HomeLink transceiver, which communicates with the customer’s garage door opener, has weak or limited range.

POSSIBLE CAUSES

The HomeLink transceiver’s operating distance is limited.

CORRECTIVE ACTION

Relocate the HomeLink transceiver to improve operating distance.

PARTS INFORMATION

Part Name	Part Number	Quantity
Wire Harness Cushion	91902-TZ5-A01	3

REQUIRED MATERIALS

Part Name	Part Number	Quantity
EPT Sealer (One roll repairs 12 vehicles.)	06990-SA5-000	1/12 of a roll

WARRANTY CLAIM INFORMATION

The normal warranty applies.

Operation Number	Description	Flat Rate Time	Template ID	Failed Part Number
0541A3	Remove, wrap, and relocate the HomeLink transceiver.	0.5 hr	15-023N	36610-TX4-A01

Defect Code: 03214

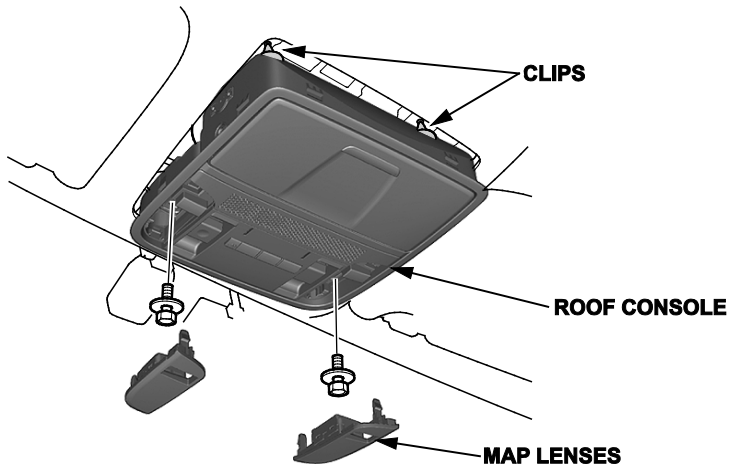
Symptom Code: 03217

Skill Level: Repair Technician

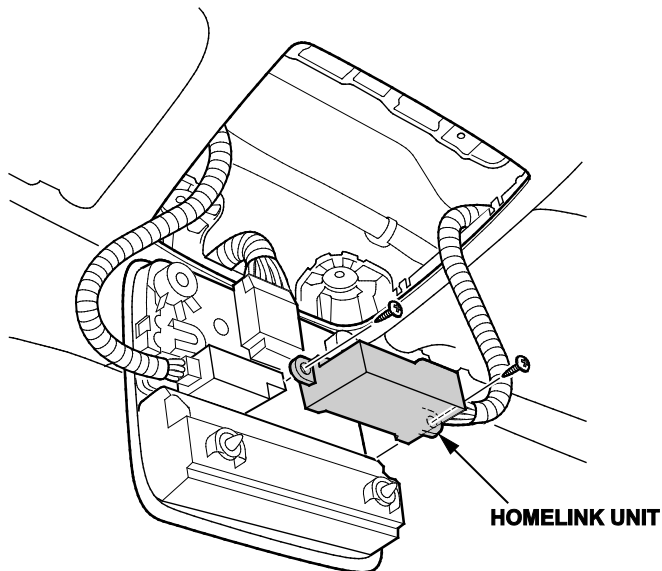
CLIENT INFORMATION: The information in this bulletin is intended for use only by skilled technicians who have the proper tools, equipment, and training to correctly and safely maintain your vehicle. These procedures should not be attempted by “do-it-yourselfers,” and you should not assume this bulletin applies to your vehicle, or that your vehicle has the condition described. To determine whether this information applies, contact an authorized Acura automobile dealer.

REPAIR PROCEDURE

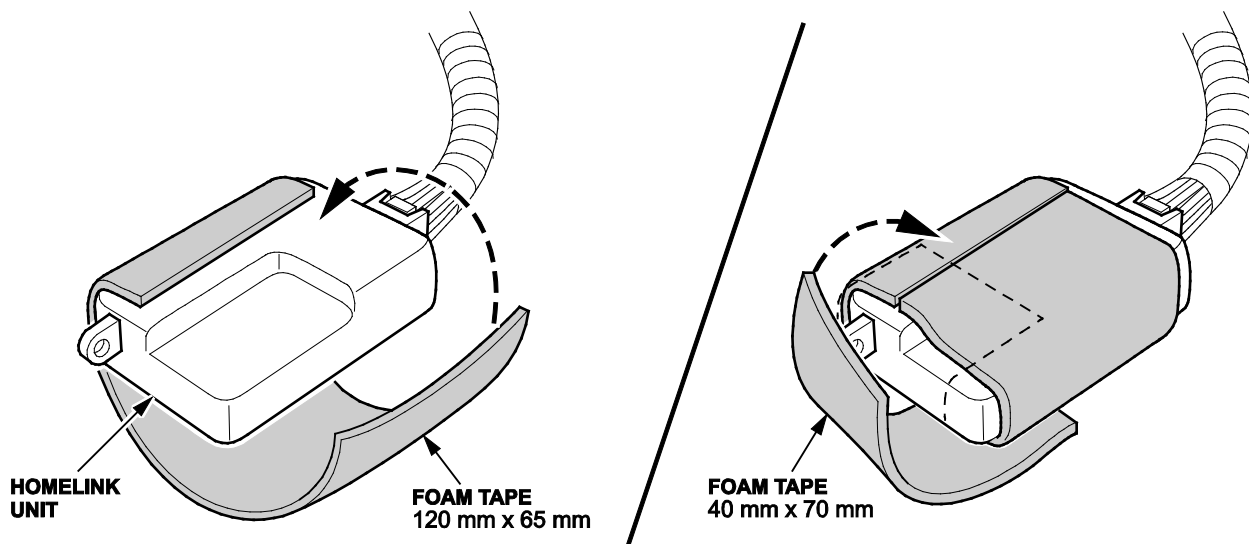
1. Remove the map lenses, 2 bolts, and 2 clips holding the roof console and allow to hang.



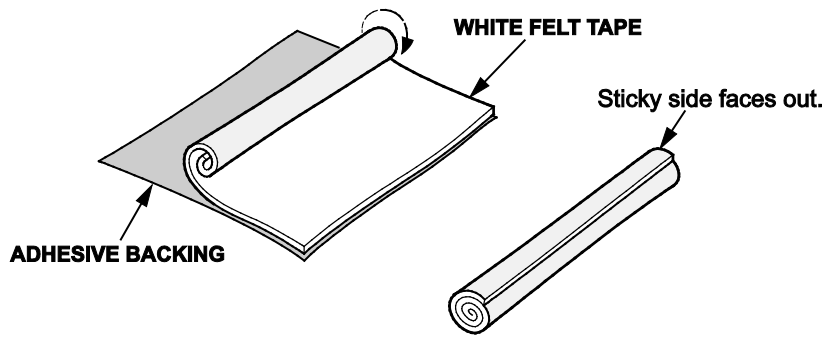
2. While holding the roof console assembly, remove the screws from the HomeLink transceiver.



3. Cut a piece of EPT Sealer to 120mm x 65mm and wrap the entire HomeLink transceiver, then cut another piece 40mm x 70mm and wrap the end of the unit.

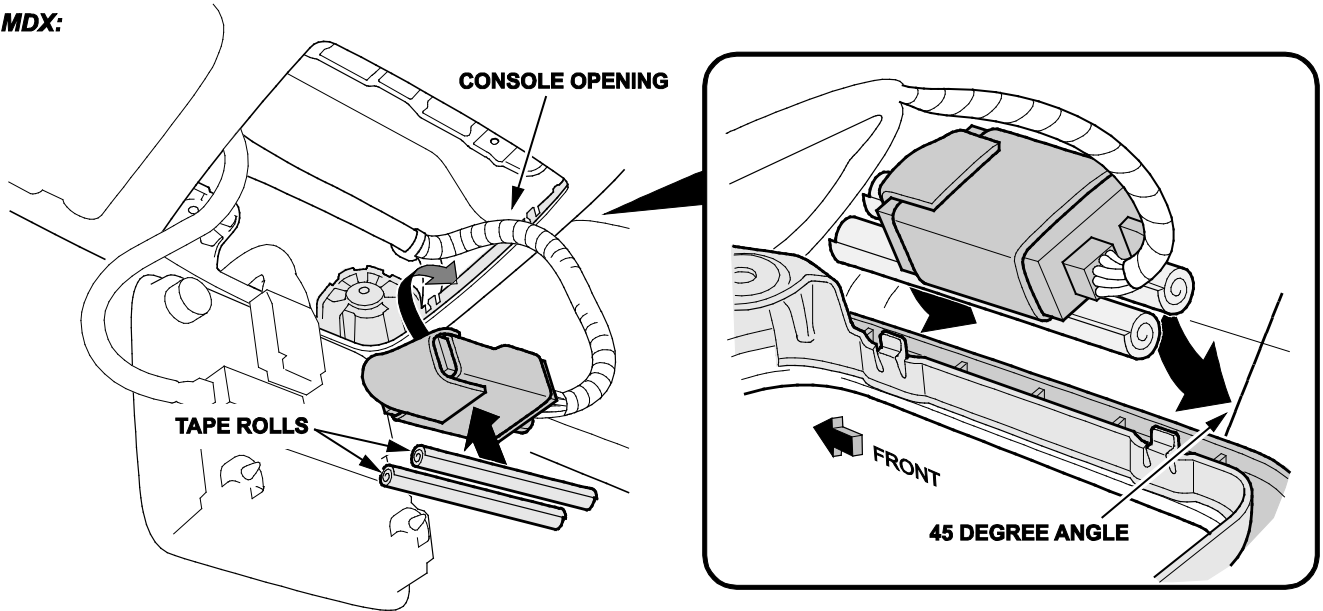


4. Remove the backing from two pieces of white felt tape and roll them up with the sticky side out. For MDX go to step 5 and for RDX/RLX go to step 7.



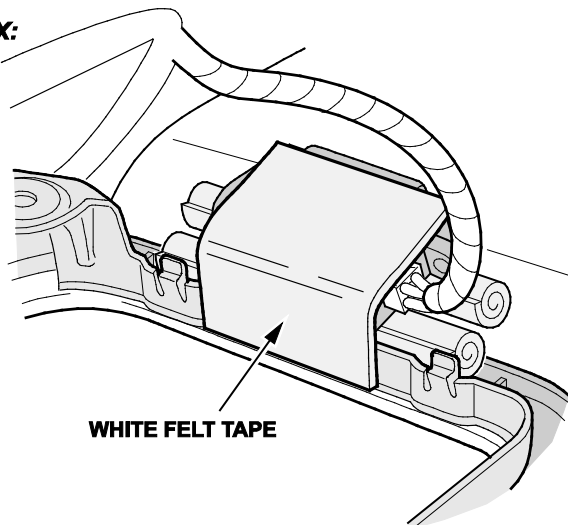
5. Stick the tape rolls to the HomeLink transceiver and stick it to the console opening at a 45 degree angle as shown.

MDX:



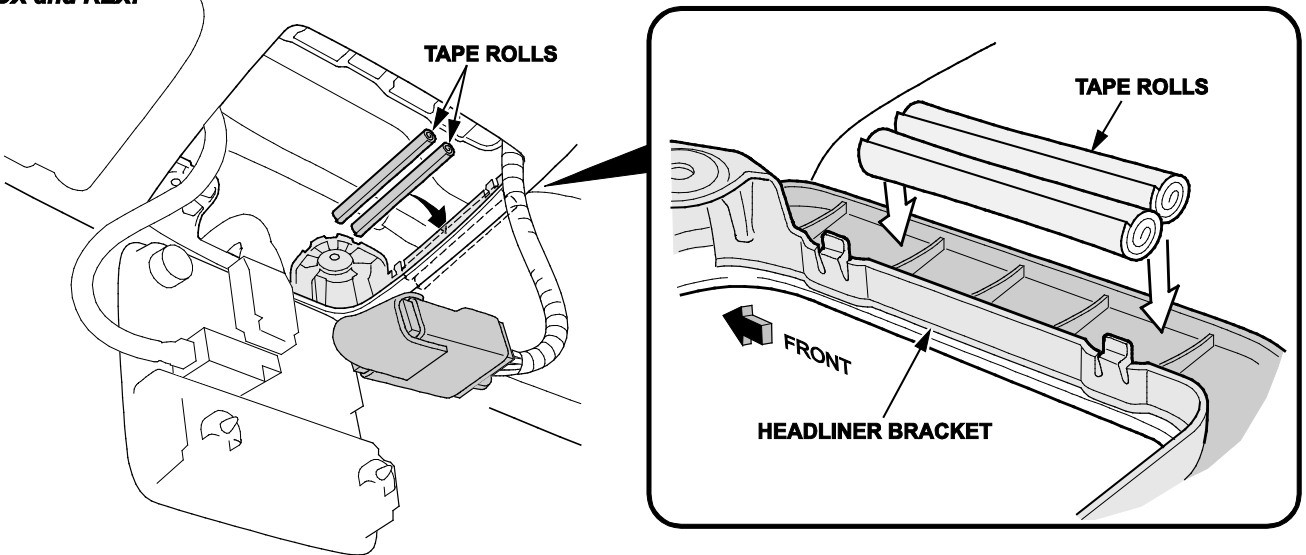
6. Secure the transceiver to the roof console with a white felt tape as shown.

MDX:



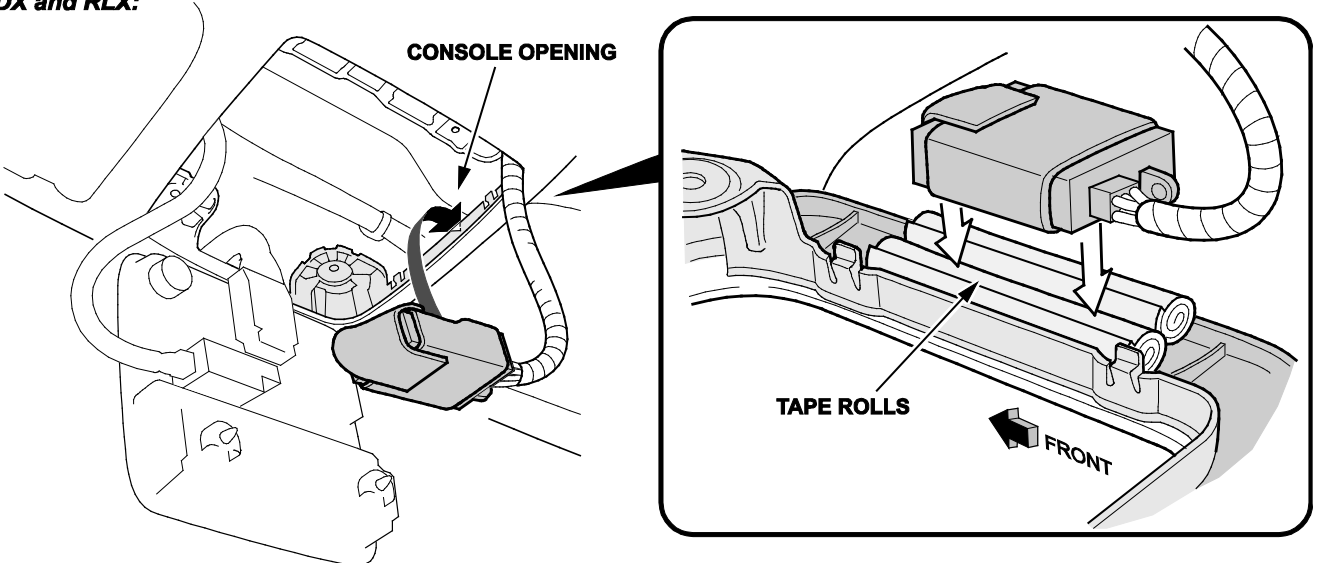
7. Stick the tape rolls to the console opening as shown.

RDX and RLX:



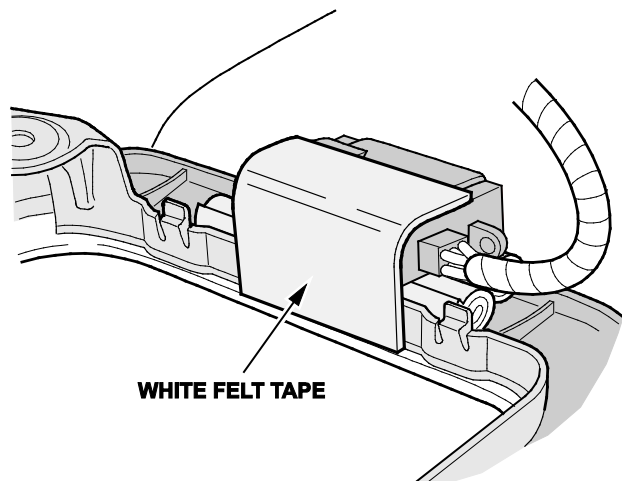
8. Stick the transceiver to the tape rolls with good pressure.

RDX and RLX:



- Secure the transceiver to the roof console with a white felt tape as shown.

RDX and RLX:



- Reinstall the roof console and lenses in reverse order.

END