

October 21, 2014

ATB 00283 (1410)

Clunk or Squeak From the Rear Suspension/Rear Lower Spring Seat Deterioration

AFFECTED VEHICLES

Year	Model	Trim	VIN Range
2011-14	Odyssey	ALL	ALL

SYMPTOM

There is a clunk or squeak from the rear suspension.

POSSIBLE CAUSES

Uneven pressure from the rear spring damages the rear spring seat.

CORRECTIVE ACTION

Replace the lower arm and the lower spring seat.

PARTS INFORMATION

Part Name (Left Side)	Part Number	Quantity
Left Lower Arm	52360-TK8-A02	1
Flange Bolt	90170-SHJ-A00	1
Adjusting Bolt	52387-SHJ-A02	1
Nut (14 mm)	90362-SHJ-A01	1
Left Lower Spring Seat	52748-S0X-A00	1

Part Name (Right Side)	Part Number	Quantity
Right Lower Arm	52350-TK8-A02	1
Flange Bolt	90170-SHJ-A00	1
Adjusting Bolt	52387-SHJ-A02	1
Nut (14 mm)	90362-SHJ-A01	1
Right Lower Spring Seat	52744-TK8-A00	1

CUSTOMER INFORMATION: The information in this bulletin is intended for use only by skilled technicians who have the proper tools, equipment, and training to correctly and safely maintain your vehicle. These procedures should not be attempted by "do-it-yourselfers," and you should not assume this bulletin applies to your vehicle, or that your vehicle has the condition described. To determine whether this information applies, contact an authorized Honda automobile dealer.

WARRANTY CLAIM INFORMATION

The normal warranty applies.

Operation Number	Description	Flat Rate Time	Template ID	Failed Part Number
4171D6	Replace the left lower spring seat and lower arm (includes alignment).	1.5 hrs	14-066A	52748-S0X-A00
4171D7	Replace the right lower spring seat and lower arm (includes alignment).	1.5 hrs	14-066B	52744-TK8-A00
4171D8	Replace both lower spring seats and lower arms (includes alignment).	2.0 hrs	14-066C	52748-S0X-A00

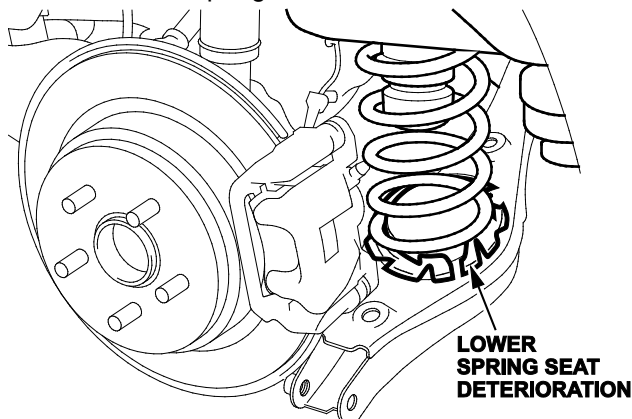
Defect Code: 02101

Symptom Code: 00101

Skill Level: Repair Technician

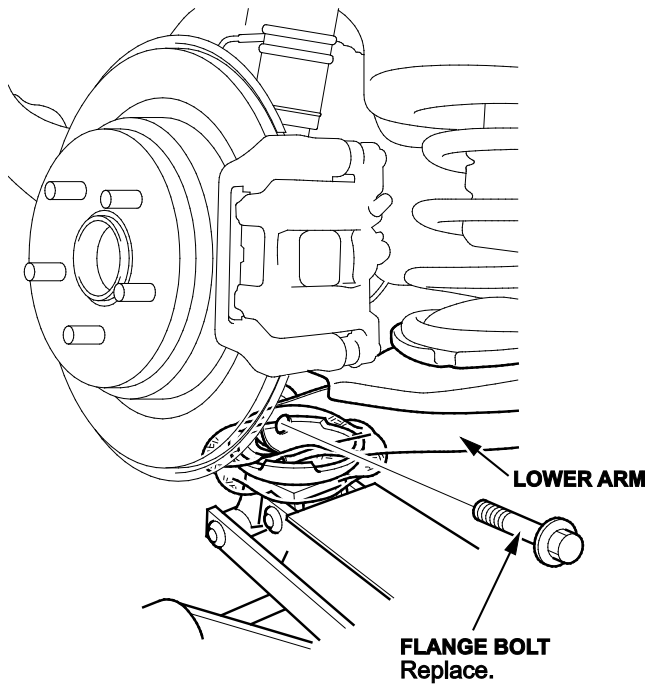
DIAGNOSIS

1. Raise and support the vehicle.
2. Inspect both lower spring seats for deterioration.
 - If one or both of the lower spring seats are deteriorated, go to REPAIR PROCEDURE.
 - If the lower spring seats are not deteriorated, this bulletin does not apply. Continue with normal troubleshooting.



REPAIR PROCEDURE

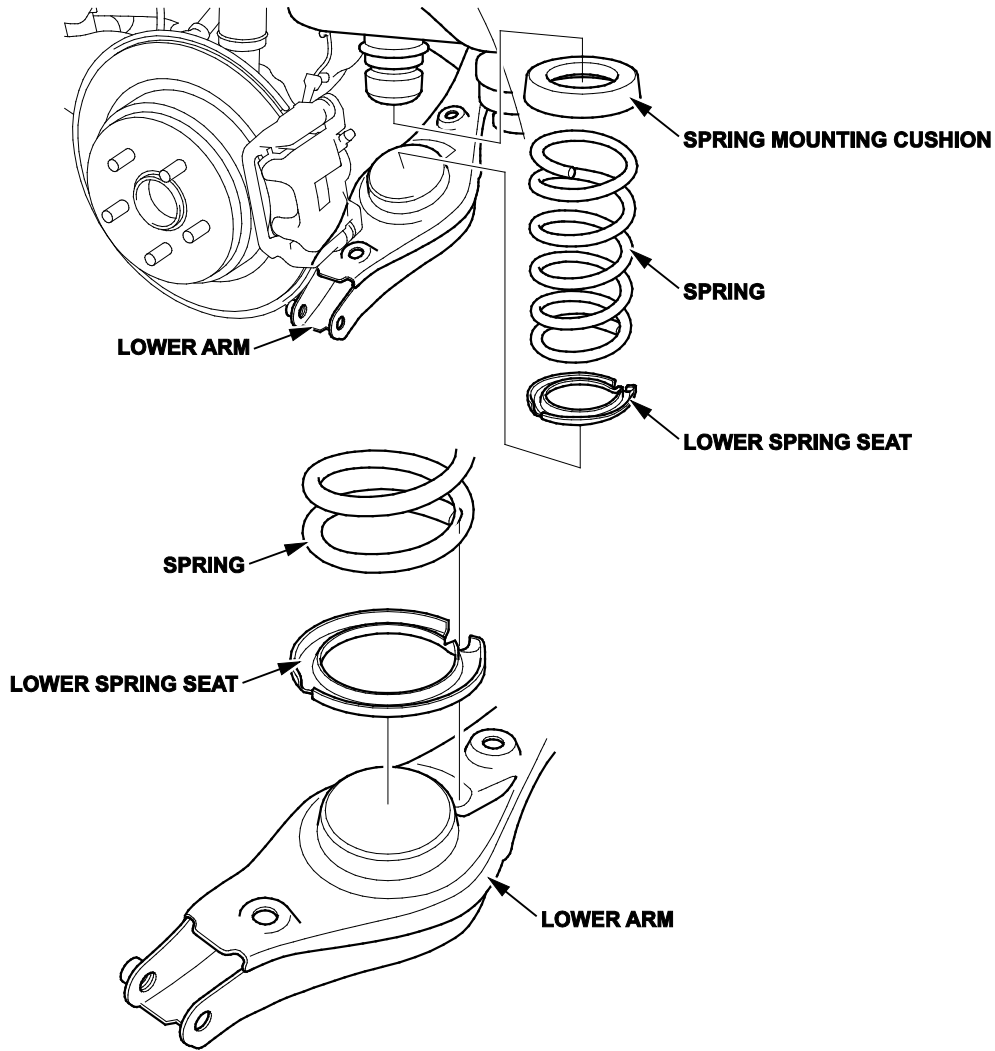
1. If not already done, raise and support the vehicle.
2. Remove the rear wheel.
3. Position a floor jack under the lower arm. Raise the floor jack until the suspension begins to compress.



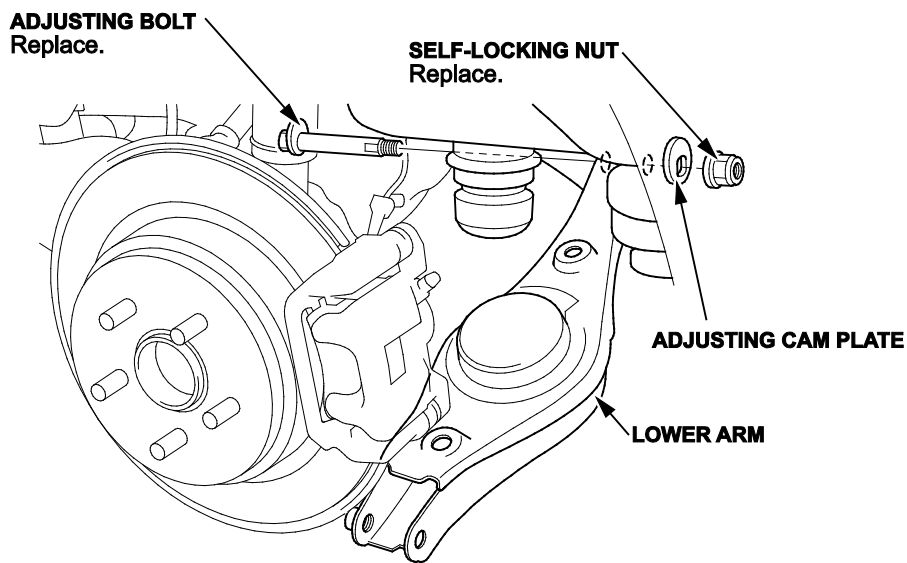
4. Remove the flange bolt from the knuckle.
5. Lower the floor jack gradually.

6. Remove the spring, the spring cushion, and the lower spring seat.

NOTE: During installation, align the bottom of the spring with the stepped part of the lower spring seat and the lower arm as shown.



7. Mark the cam positions of the adjusting bolt and the adjusting cam plate with the frame.



8. Remove the self-locking nut while holding the adjusting bolt, then remove the adjusting cam plate, the adjusting bolt, and the lower arm.
9. Using the new adjusting bolt and self-locking nut, loosely install the new lower arm, the spring mounting cushion, the spring and the new lower spring seat.
10. Lightly tighten the bolts and nuts, then raise the suspension to load it with the vehicle's weight.
11. Align the cam positions of the adjusting bolt and adjusting cam plate with the marked positions. Then torque the nut to **99 N·m (73 lb-ft)**.
12. Torque the flange bolt to **93 N·m (69 lb-ft)**.
13. Clean the mating surfaces between the brake disc/drum and inside the wheel.
14. Reinstall the wheel.
15. Repeat steps 2 through 14 on the opposite side if needed.
16. Check the wheel alignment, and adjust it if necessary.

END